



US00D576678S

(12) **United States Design Patent**
Nakazawa

(10) **Patent No.:** **US D576,678 S**

(45) **Date of Patent:** **** Sep. 9, 2008**

(54) **CAP FOR A WRITING INSTRUMENT**

(75) Inventor: **Hidekazu Nakazawa**, Tokyo (JP)

(73) Assignee: **Pentel Kabushiki Kaisha** (JP)

(**) Term: **14 Years**

(21) Appl. No.: **29/269,749**

(22) Filed: **Dec. 7, 2006**

(30) **Foreign Application Priority Data**

Jun. 21, 2006 (JP) 2006-016040

(51) **LOC (8) Cl.** **19-06**

(52) **U.S. Cl.** **D19/57**

(58) **Field of Classification Search** D19/35,
D19/36, 41, 42, 43, 44, 45, 46, 47, 48, 49,
D19/50, 51, 54, 55, 56, 57; D27/146; 24/11 R,
24/11 F, 11 P; 40/334; 401/6, 52, 99, 100,
401/104, 105, 106, 107, 108, 109, 192, 195,
401/243, 244, 245, 246, 247; 362/118

See application file for complete search history.

(56) **References Cited**

U.S. PATENT DOCUMENTS

- D89,846 S * 5/1933 Anderson D19/48
- D99,213 S * 4/1936 Peters D19/49
- D108,899 S * 3/1938 Tammen et al. D19/49
- D117,839 S * 11/1939 Zoll D19/49
- D146,214 S * 1/1947 Florman D19/48
- 3,224,053 A * 12/1965 Jenkins 24/11 F
- D273,017 S * 3/1984 Bertrac D19/49
- D282,553 S * 2/1986 LeBlanc D19/49
- D295,878 S * 5/1988 Lovell D19/43
- D345,175 S * 3/1994 Giralt D19/42
- D358,843 S * 5/1995 Hong D19/48
- D363,949 S * 11/1995 Compte D19/49
- D374,460 S * 10/1996 Young D19/48
- D387,088 S * 12/1997 Tseng D19/47
- D394,673 S * 5/1998 Moorthy et al. D19/49
- D396,056 S * 7/1998 Perrin et al. D19/49

- D399,255 S * 10/1998 Melnick D19/49
- D404,428 S * 1/1999 Takahashi D19/49
- D405,467 S * 2/1999 Calvani D19/49
- 5,927,888 A * 7/1999 Toyama 401/202
- D417,700 S * 12/1999 Worther D19/49
- D428,056 S * 7/2000 Rousseau D19/49
- D431,455 S * 10/2000 Mansau D9/600
- D458,965 S * 6/2002 Oka D19/49
- D482,396 S * 11/2003 De Bon D19/43
- D484,540 S * 12/2003 Bodino D19/57
- D485,299 S * 1/2004 Bodino D19/51
- D496,069 S * 9/2004 Takanashi D19/53
- D512,458 S * 12/2005 Shiina D19/49
- 2007/0036608 A1 * 2/2007 Jones et al. 401/195

FOREIGN PATENT DOCUMENTS

WO DM/047350 * 3/1999

* cited by examiner

Primary Examiner—Elizabeth A. Albert
Assistant Examiner—Karen E Eldridge Powers
(74) *Attorney, Agent, or Firm*—Adams & Wilks

(57) **CLAIM**

The ornamental design for a cap for a writing instrument, a shown and described.

DESCRIPTION

FIG. 1 is a perspective view of a cap for a writing instrument showing my new design.

FIG. 2 is a front view thereof;

FIG. 3 is a rear view thereof;

FIG. 4 is a bottom view thereof; the top view is a mirror image of FIG. 4;

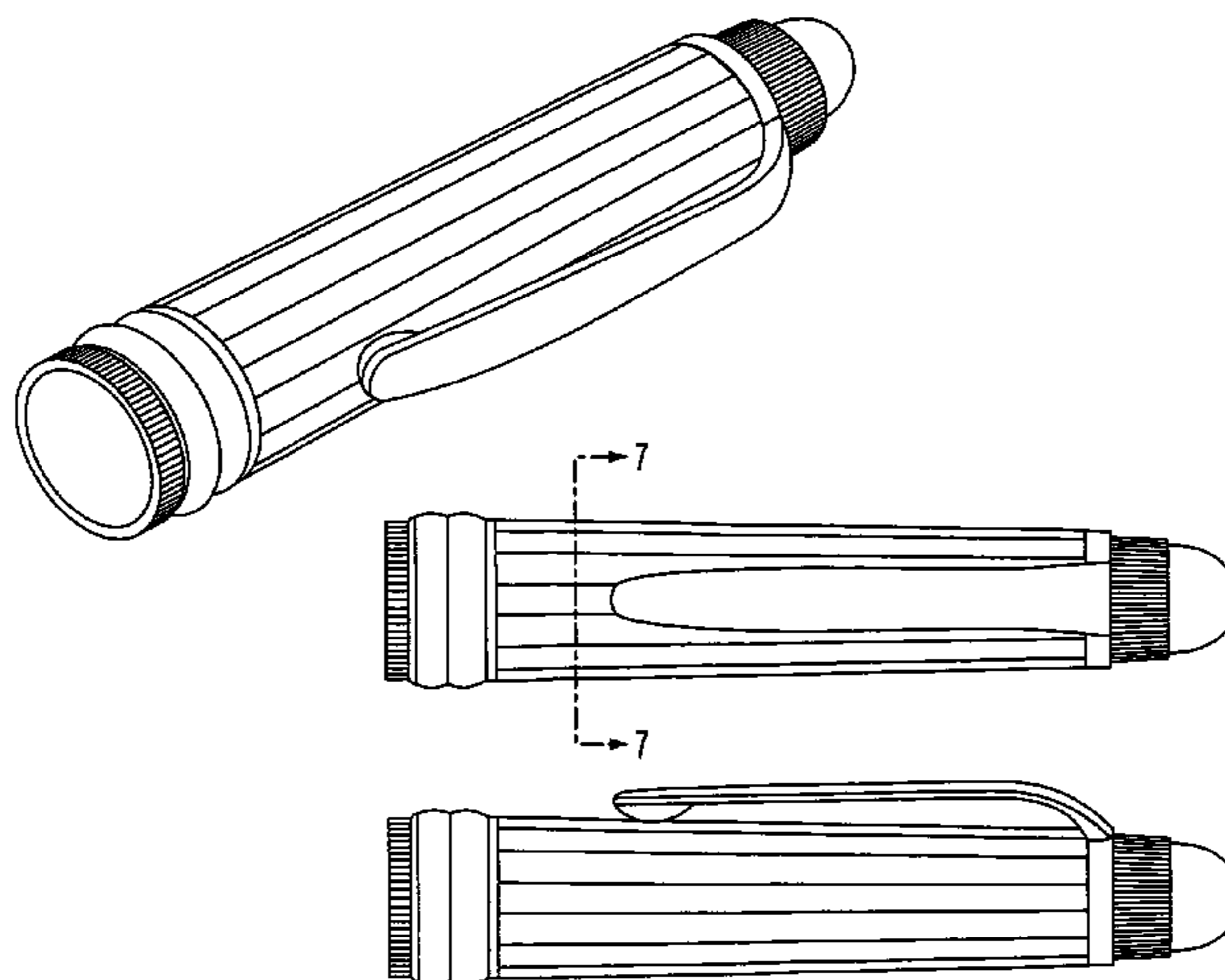
FIG. 5 is a right side view thereof;

FIG. 6 is a left side view thereof; and,

FIG. 7 is a sectional view taken along 7—7 in FIG. 2.

The broken line circle in FIG. 6 shows the bounds of the claim.

1 Claim, 3 Drawing Sheets



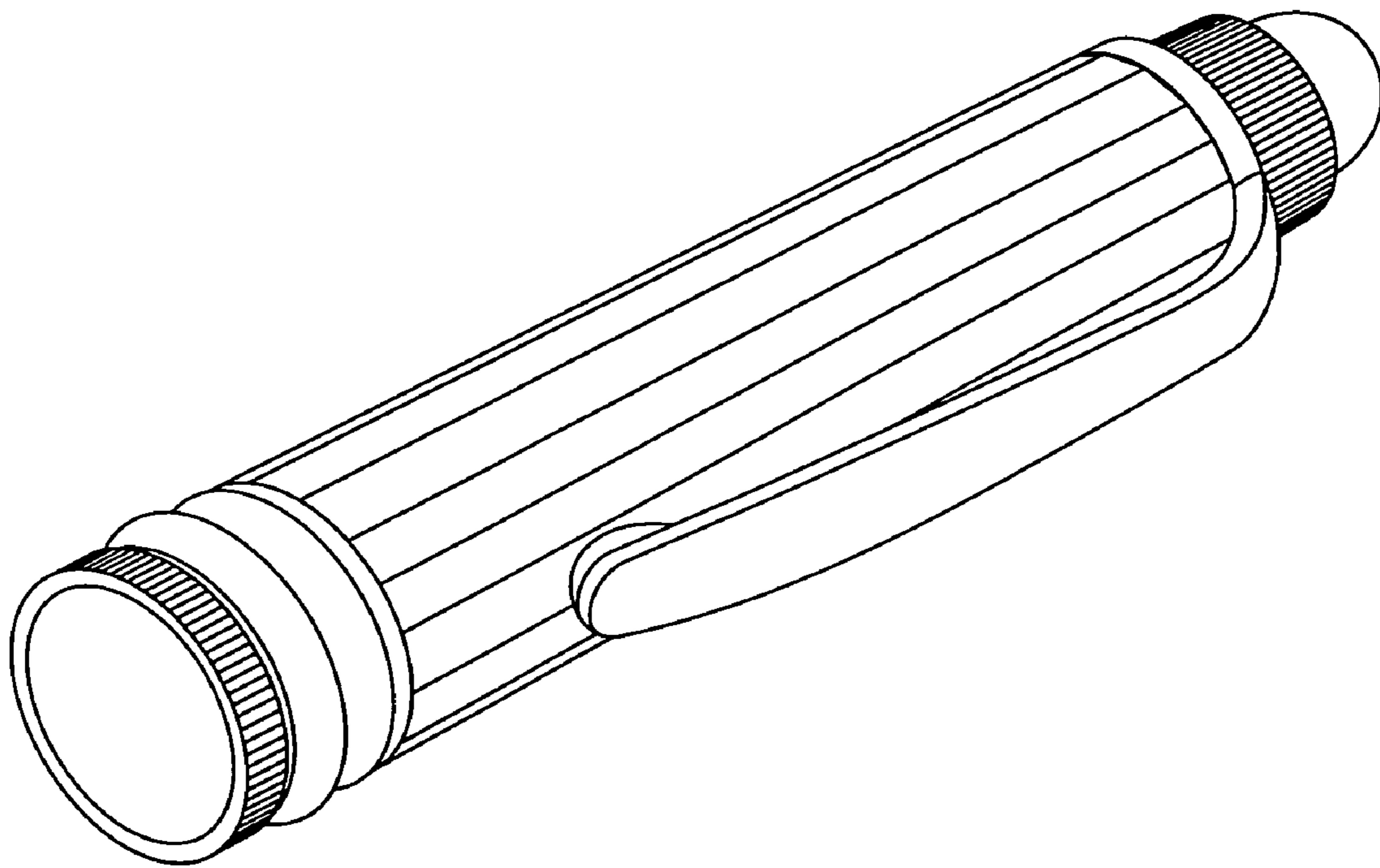
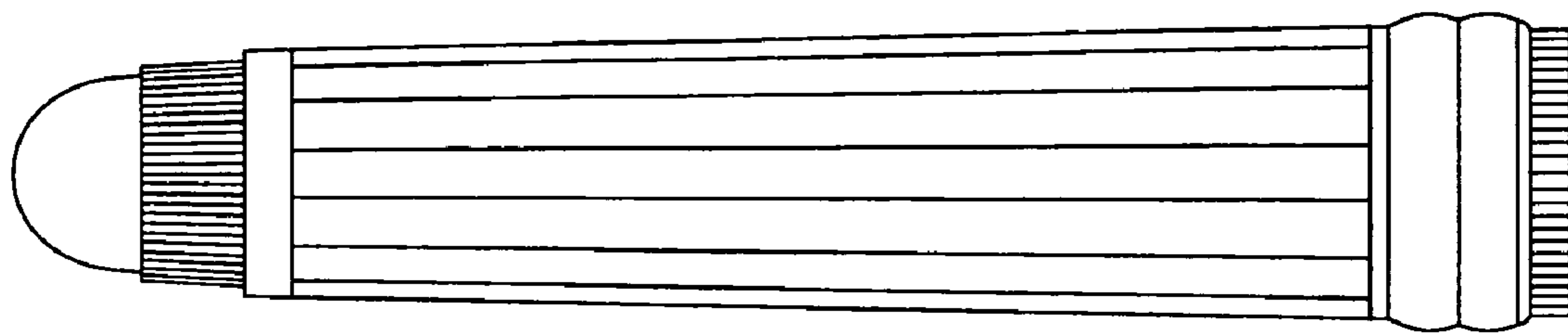
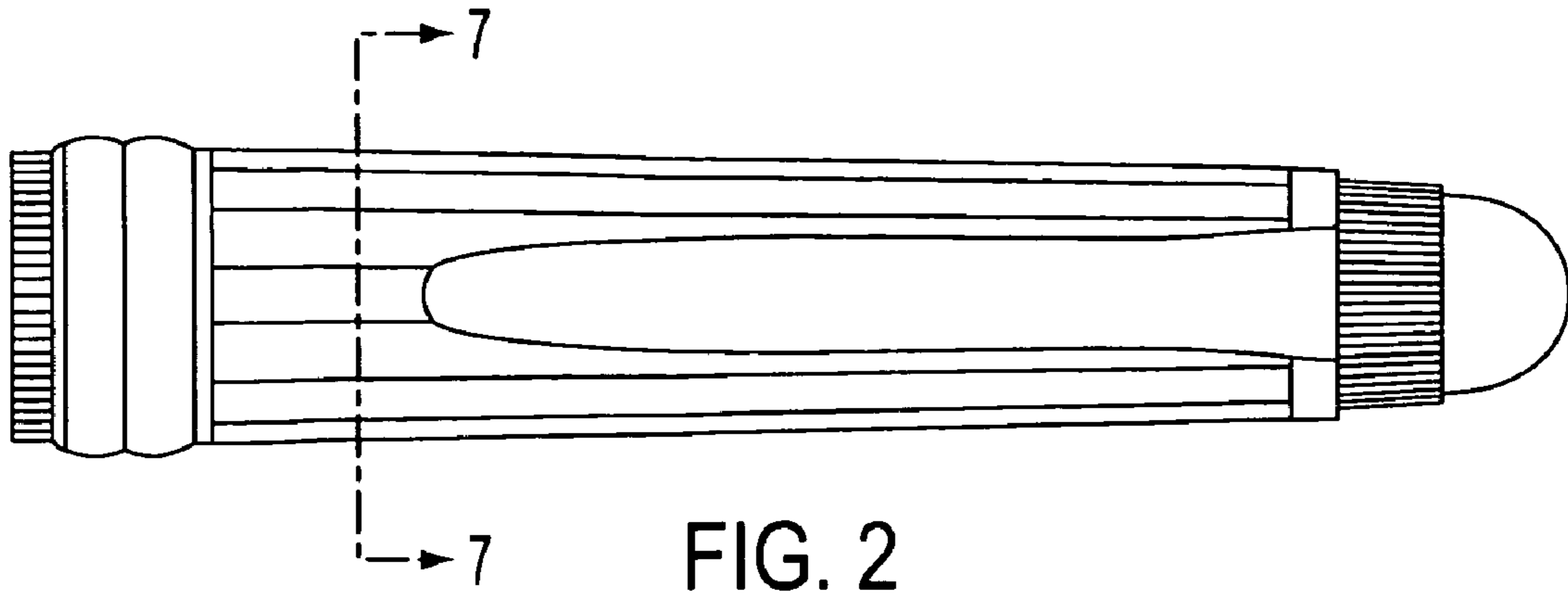


FIG. 1



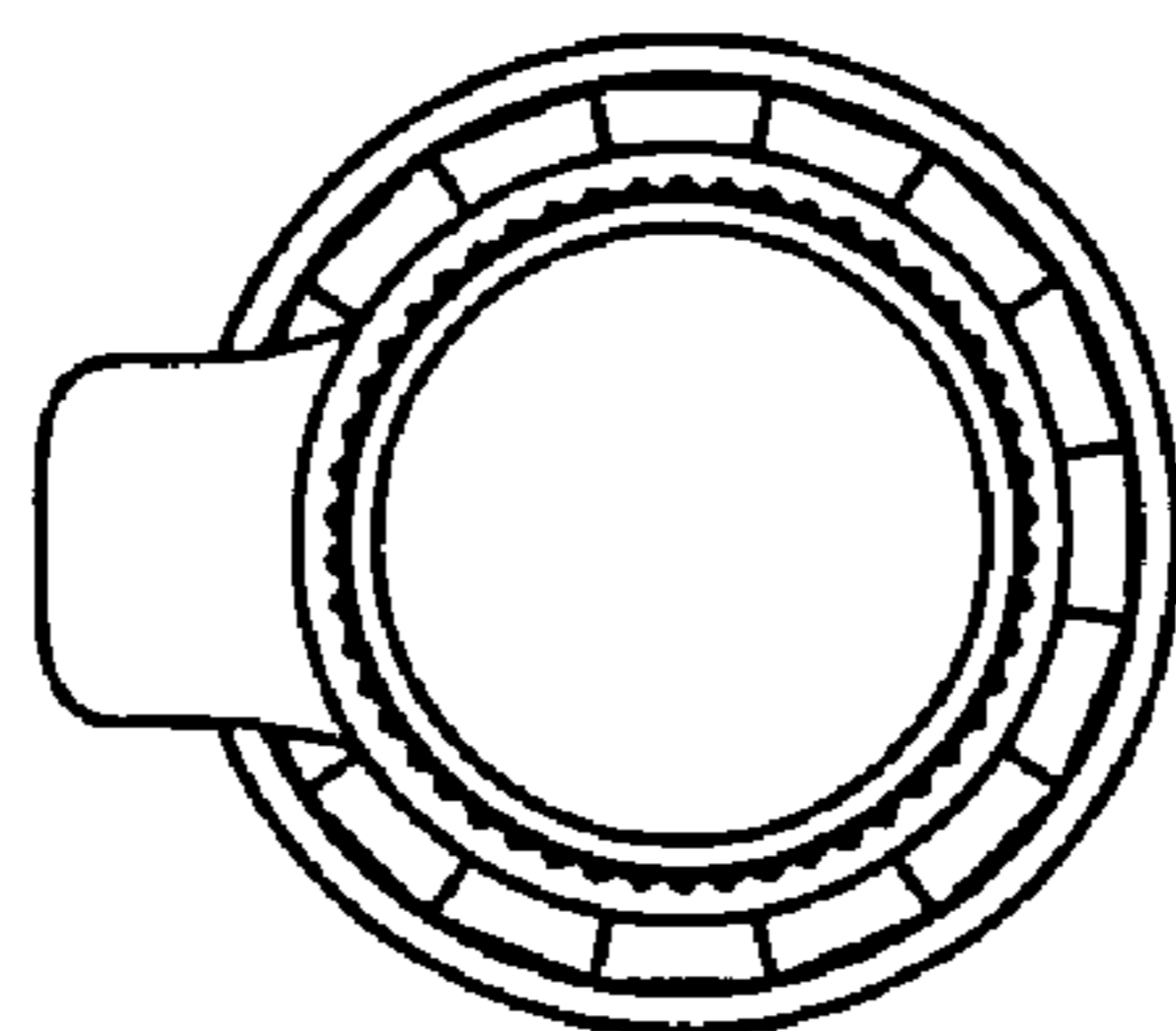


FIG. 5

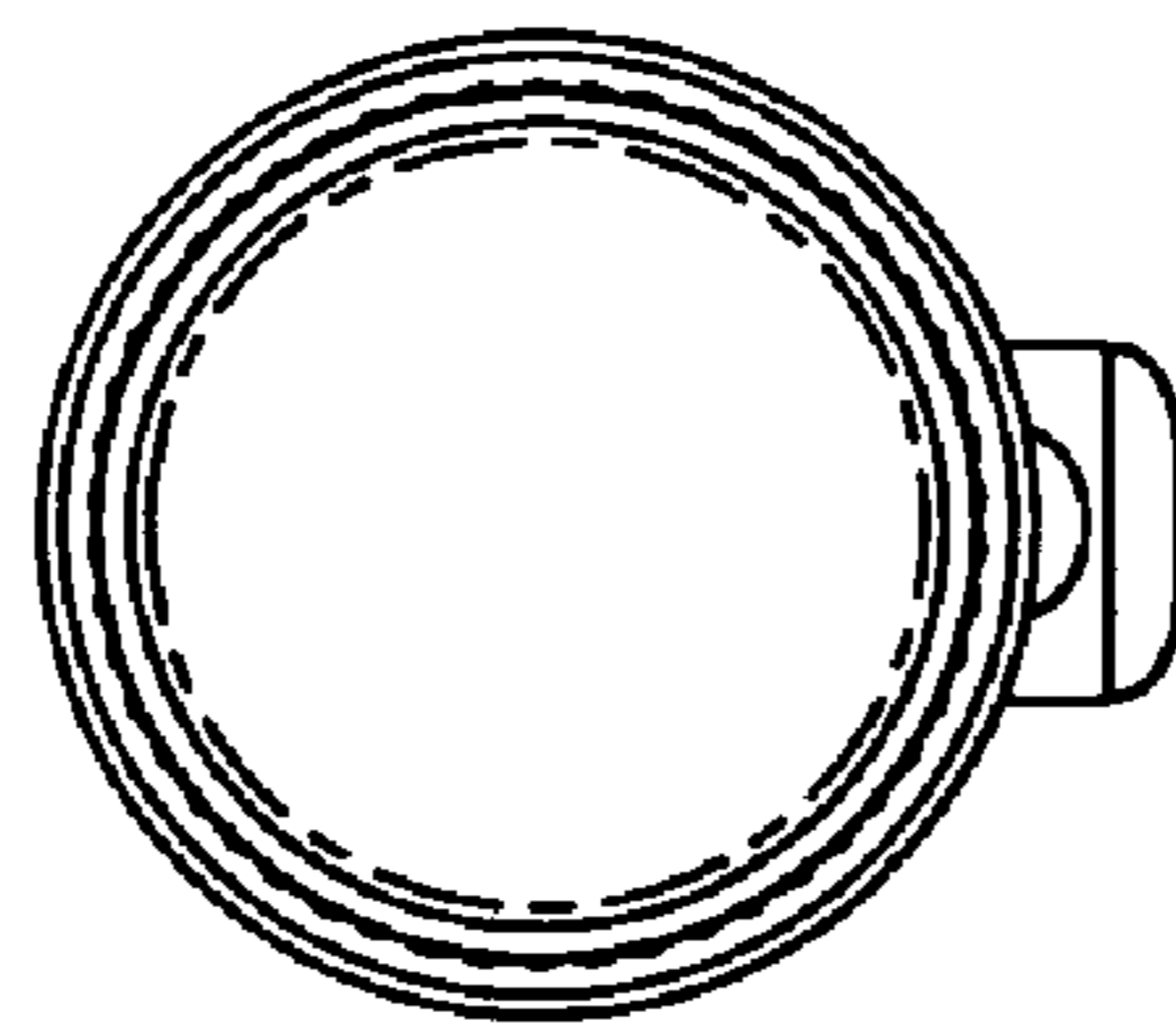


FIG. 6

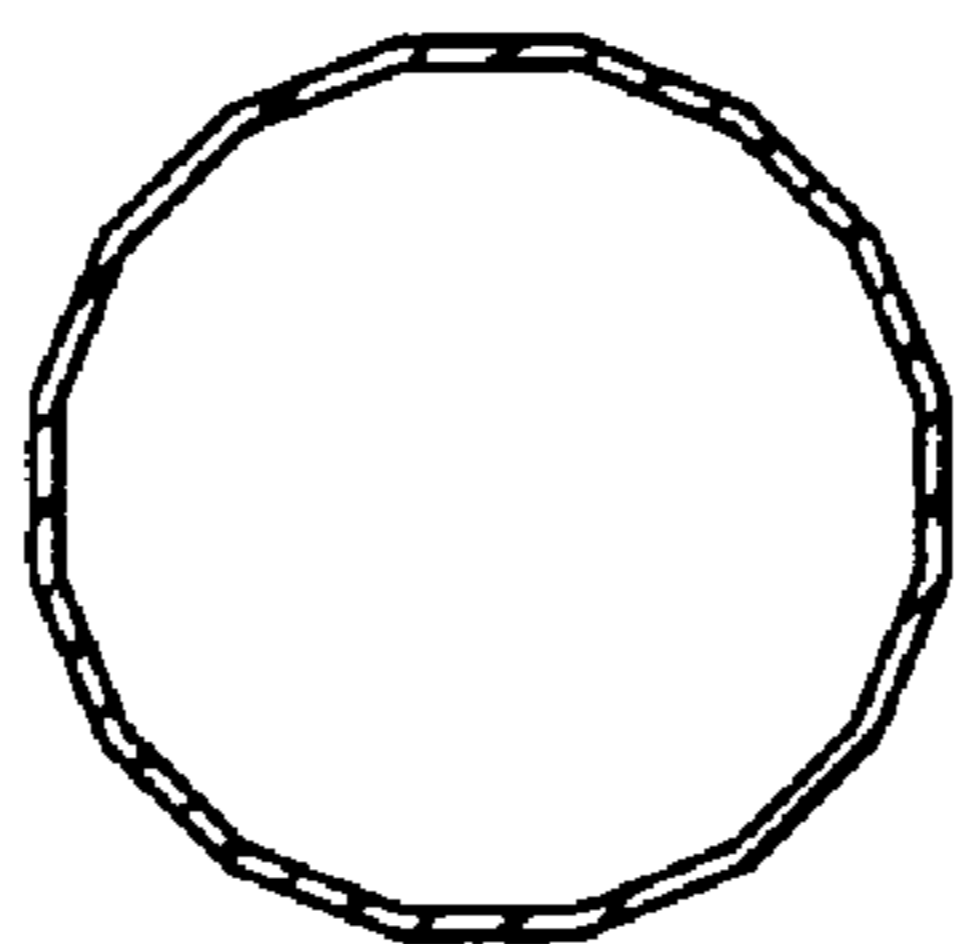


FIG. 7