



US00D576676S

(12) **United States Design Patent**
Shimizu

(10) **Patent No.:** **US D576,676 S**
(45) **Date of Patent:** **** Sep. 9, 2008**

(54) **BALLPOINT PEN**

(75) Inventor: **Kazuhisa Shimizu**, Tokyo (JP)

(73) Assignee: **Pentel Kabushiki Kaisha** (JP)

(**) Term: **14 Years**

(21) Appl. No.: **29/269,748**

(22) Filed: **Dec. 7, 2006**

(30) **Foreign Application Priority Data**

Jun. 22, 2006 (JP) 2006-016163

(51) **LOC (8) Cl.** **19-06**

(52) **U.S. Cl.** **D19/49**

(58) **Field of Classification Search** D19/35,
D19/36, 41, 42, 43, 44, 45, 46, 47, 48, 49,
D19/50, 51, 54, 55, 56, 57; D27/146; 24/11 R,
24/11 F, 11 P; 40/334; 401/6, 52, 99, 100,
401/104, 105, 106, 107, 108, 109, 192, 195,
401/243, 244, 245, 246, 247; 362/118

See application file for complete search history.

(56) **References Cited**

U.S. PATENT DOCUMENTS

D65,683 S * 9/1924 Benjamin D19/49
D89,815 S * 5/1933 Teft D19/48
D89,816 S * 5/1933 Teft D19/48
D99,213 S * 4/1936 Peters D19/49
D100,380 S * 7/1936 Lynn D19/55
D108,111 S * 1/1938 Trolen D19/49
D117,839 S * 11/1939 Zoll D19/49
D124,248 S * 12/1940 Dreyfuss D19/48
D155,285 S * 9/1949 Green et al. D19/46
2,783,741 A * 3/1957 Maczynski 401/112
D188,971 S * 10/1960 Nash et al. D19/66
3,224,053 A * 12/1965 Jenkins 24/11 F
D206,917 S * 2/1967 Jensen D19/49
D213,531 S * 3/1969 Wakai D19/49
D230,403 S * 2/1974 Englund D14/431
D240,032 S * 5/1976 Gomez D19/49
D260,021 S * 7/1981 Carre D19/49
D260,658 S * 9/1981 Chiba D19/49

D269,531 S * 6/1983 Ando D19/66
D306,178 S * 2/1990 Lauper D19/49
D320,076 S * 9/1991 Guthrie D24/154
D331,259 S * 11/1992 Rousseau D19/49
D333,486 S * 2/1993 Rousseau D19/49
5,342,134 A * 8/1994 Lombardi et al. 401/78
D353,044 S * 12/1994 Riley D3/228

(Continued)

FOREIGN PATENT DOCUMENTS

WO DM/047350 * 3/1999

(Continued)

Primary Examiner—Elizabeth A Albert
Assistant Examiner—Karen E Eldridge Powers
(74) *Attorney, Agent, or Firm*—Adams & Wilks

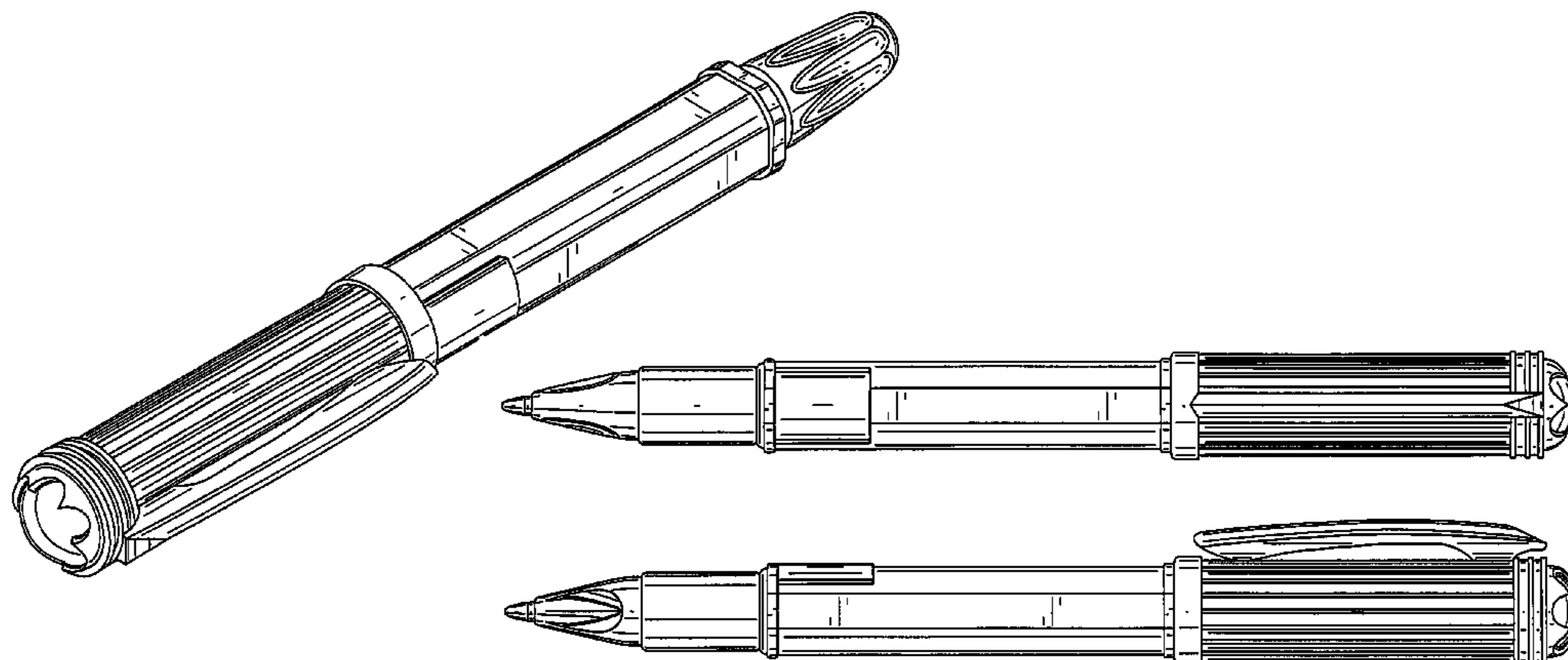
(57) **CLAIM**

The ornamental design for a ballpoint pen, as shown and described.

DESCRIPTION

FIG. 1 is a perspective view of a ballpoint pen showing my new design;
FIG. 2 is a front view thereof;
FIG. 3 is a bottom view thereof; the top view is a mirror image of FIG. 3.
FIG. 4 is a rear view thereof;
FIG. 5 is a right side view thereof;
FIG. 6 is a left side view thereof;
FIG. 7 is a further front view thereof, showing the cap removed and placed on the opposite end of the ballpoint pen; and,
FIG. 8 is a bottom view thereof.

1 Claim, 4 Drawing Sheets



US D576,676 S

Page 2

U.S. PATENT DOCUMENTS

D359,983 S * 7/1995 Rosenbaum D19/49
D363,949 S * 11/1995 Compte D19/49
D374,460 S * 10/1996 Young D19/48
D375,323 S * 11/1996 Young D19/49
D383,780 S * 9/1997 Young D19/49
D394,673 S * 5/1998 Moorthy et al. D19/49
D396,056 S * 7/1998 Perrin et al. D19/49
D399,255 S * 10/1998 Melnick D19/49
D404,428 S * 1/1999 Takahashi D19/49
D417,700 S * 12/1999 Worther D19/49
D428,056 S * 7/2000 Rousseau D19/49
D443,838 S * 6/2001 Kleiman et al. D10/60
D444,175 S * 6/2001 Omura D19/49

D458,305 S * 6/2002 Iwase et al. D19/43
D462,716 S * 9/2002 Tsuchida et al. D19/43
D482,396 S * 11/2003 De Bon D19/43
D485,298 S * 1/2004 Hung D19/43
D512,458 S * 12/2005 Shiina D19/49
D548,280 S * 8/2007 Shimizu D19/48
2008/0063461 A1* 3/2008 Lin 401/192

FOREIGN PATENT DOCUMENTS

WO DM/057313 * 4/2001
WO DM/057082 * 7/2001
WO DM/067738 * 2/2006

* cited by examiner

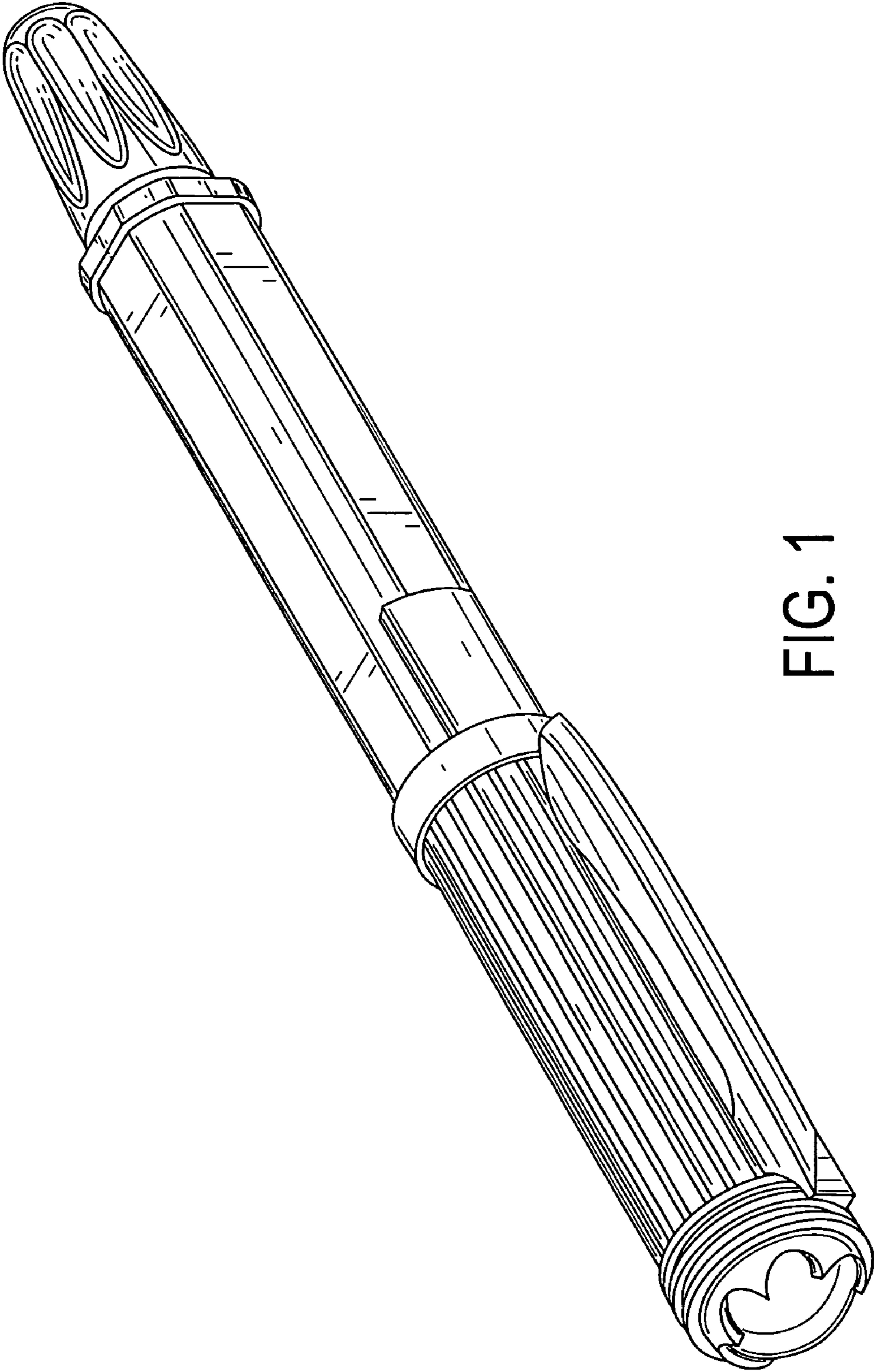


FIG. 1

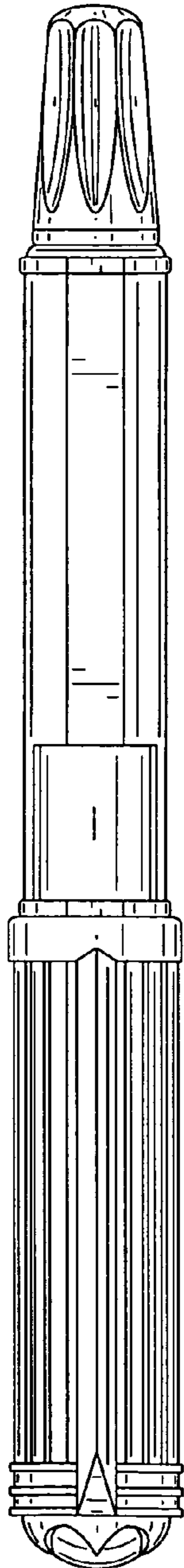


FIG. 2

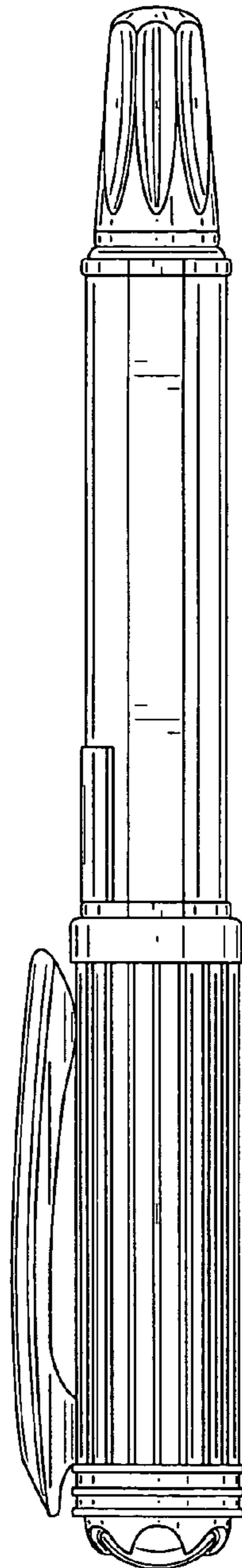


FIG. 3

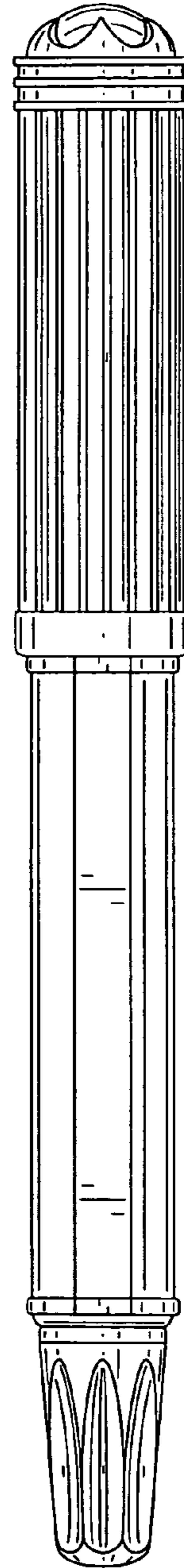


FIG. 4

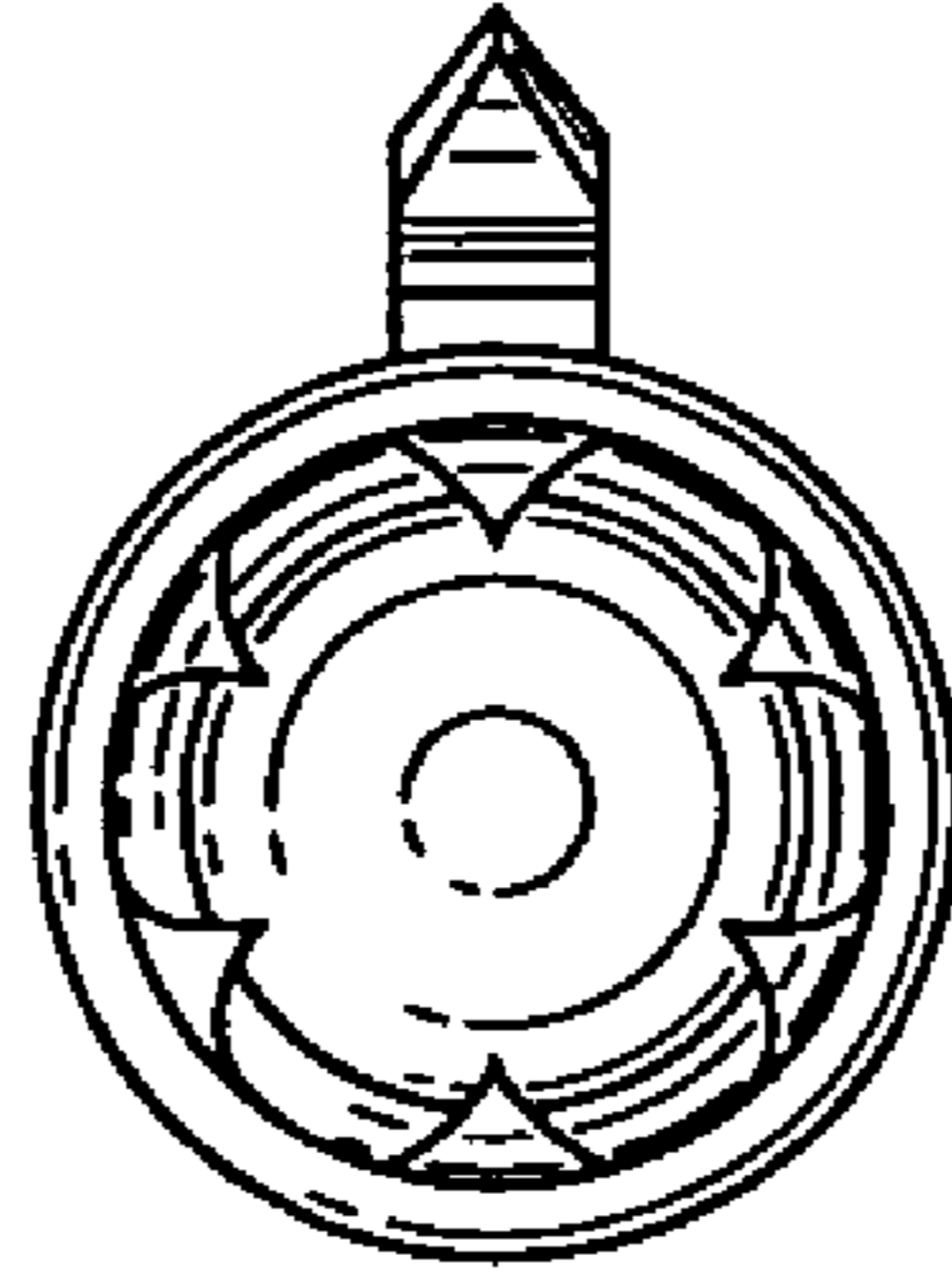


FIG. 6

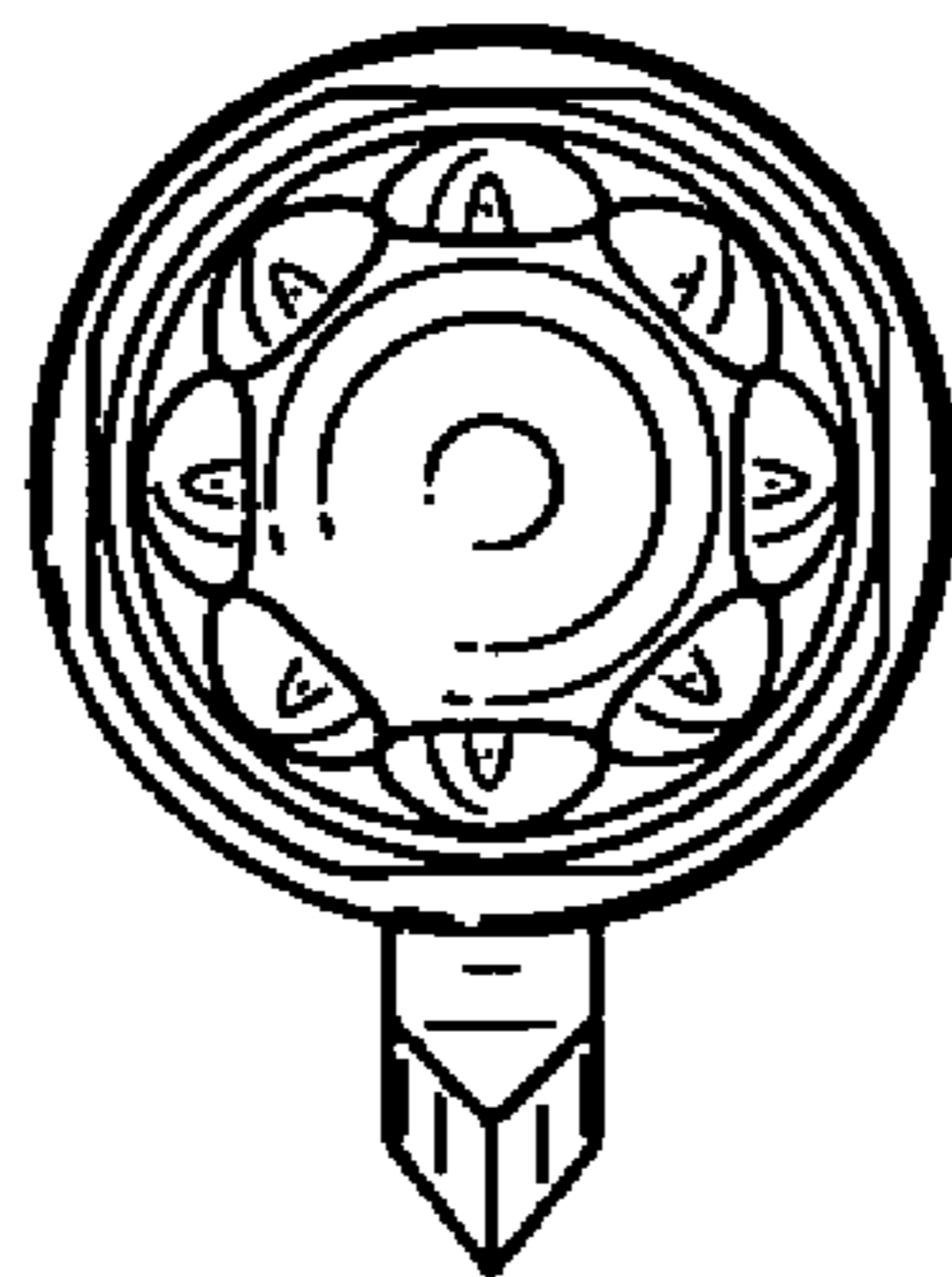


FIG. 5

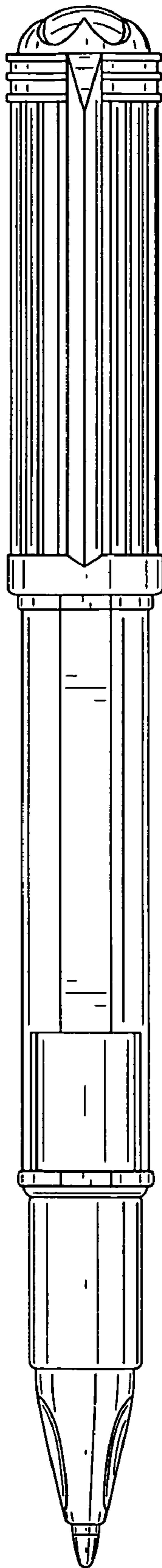


FIG. 7

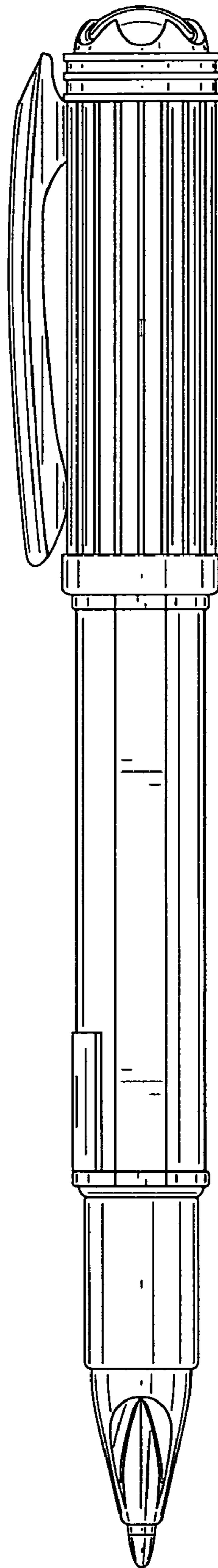


FIG. 8