



US00D576670S

(12) **United States Design Patent**
Sumi

(10) **Patent No.:** **US D576,670 S**
(45) **Date of Patent:** **** Sep. 9, 2008**

(54) **PRINTER**

(75) Inventor: **Hiroyuki Sumi**, Kadoma (JP)

(73) Assignee: **Matsushita Electric Industrial Co., Ltd.**, Osaka (JP)

(**) Term: **14 Years**

(21) Appl. No.: **29/288,283**

(22) Filed: **Jun. 6, 2007**

(30) **Foreign Application Priority Data**

Dec. 8, 2006 (JP) 2006-033897

(51) **LOC (8) Cl.** **18-02**

(52) **U.S. Cl.** **D18/50**

(58) **Field of Classification Search** D18/36-39,
D18/50, 54, 54.1, 55; D14/420-425, 462-470;
400/613, 613.1-613.4, 690.1-690.4, 691-694
See application file for complete search history.

(56) **References Cited**

U.S. PATENT DOCUMENTS

- D405,107 S * 2/1999 Yokokawa D18/50
- 6,250,827 B1 * 6/2001 Nojima et al. 400/691
- D466,551 S * 12/2002 Nagai D18/50
- D503,937 S * 4/2005 Tani D14/462
- D519,549 S 4/2006 Tanio
- D529,950 S 10/2006 Katayama et al.

- D532,448 S * 11/2006 Lim et al. D18/50
- D532,817 S 11/2006 Ishii
- D533,585 S * 12/2006 Park et al. D18/50
- D540,852 S * 4/2007 Huang et al. D18/50
- D541,332 S * 4/2007 Tsuchiya D18/50
- D558,820 S * 1/2008 Hong et al. D18/50

* cited by examiner

Primary Examiner—Cathy Anne MacCormac

(74) *Attorney, Agent, or Firm*—Brinks Hofer Gilson & Lione

(57) **CLAIM**

I claim the ornamental design for a printer, as shown and described.

DESCRIPTION

FIG. 1 is a top perspective view of a printer of the present invention;

FIG. 2 is a front view thereof;

FIG. 3 is a rear view thereof;

FIG. 4 is a first side view thereof;

FIG. 5 is a second side view thereof;

FIG. 6 is a top view thereof; and,

FIG. 7 is a bottom view thereof.

The broken lines are for illustrating environment and form no part of the claimed design.

1 Claim, 7 Drawing Sheets

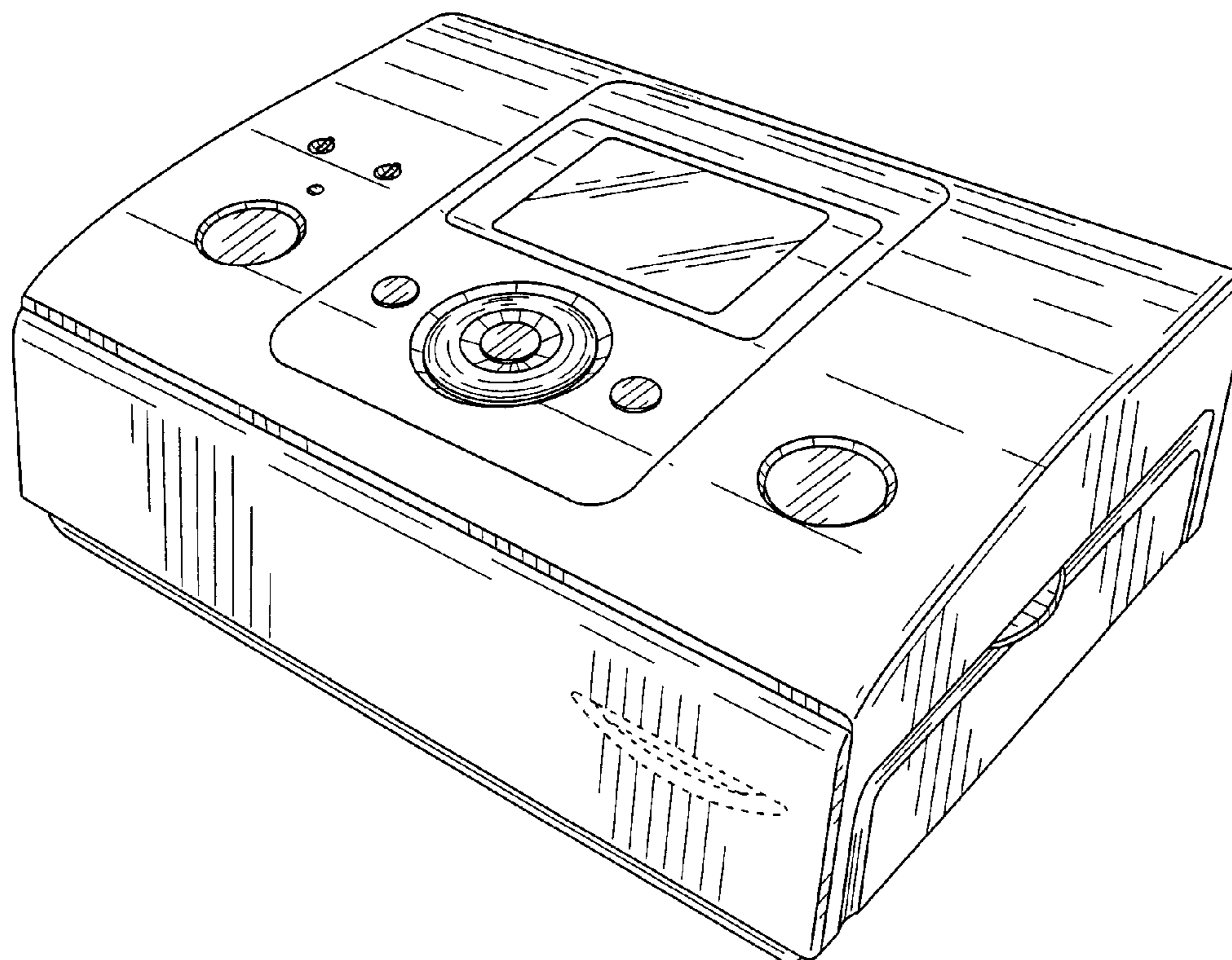


FIG.1

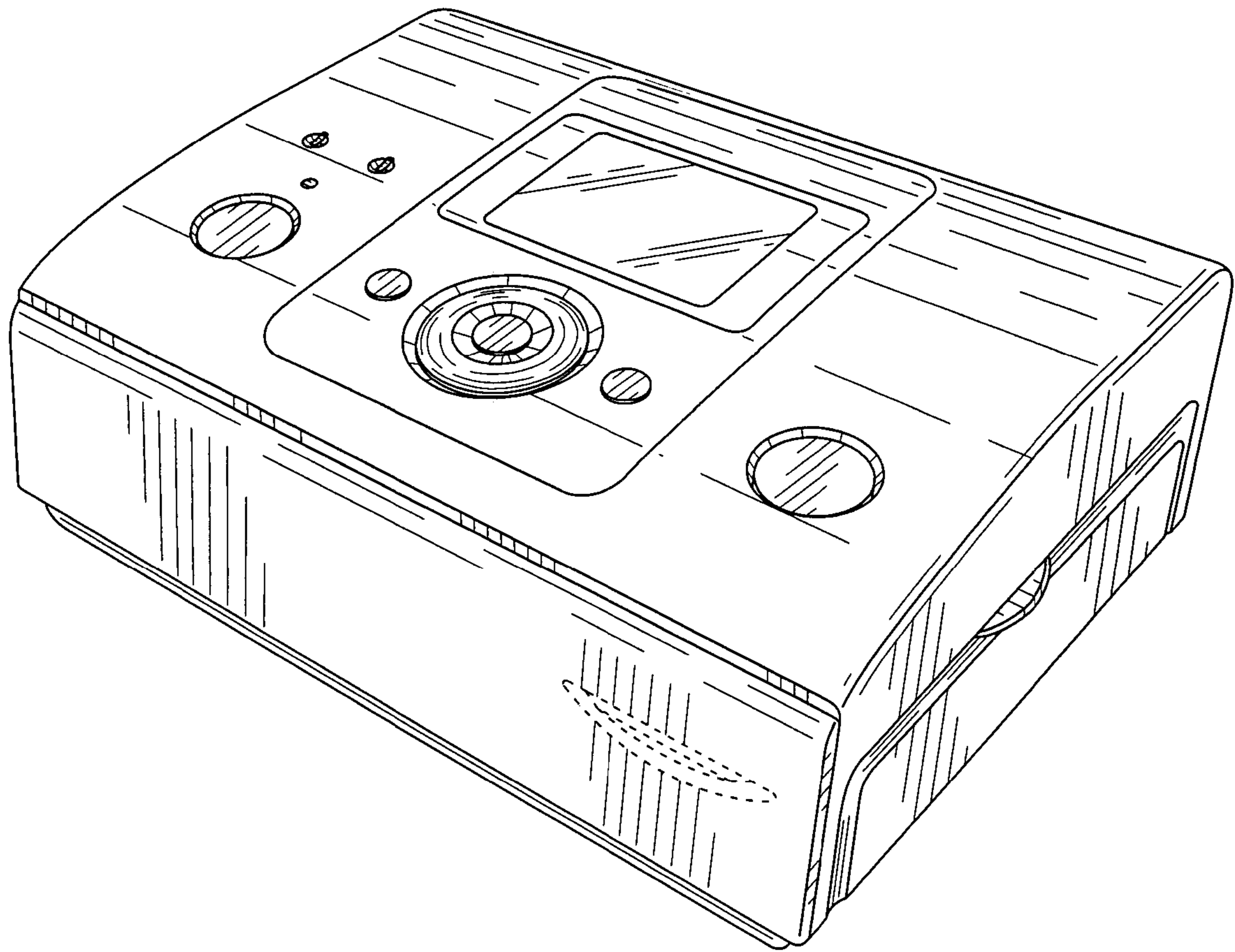


FIG.2

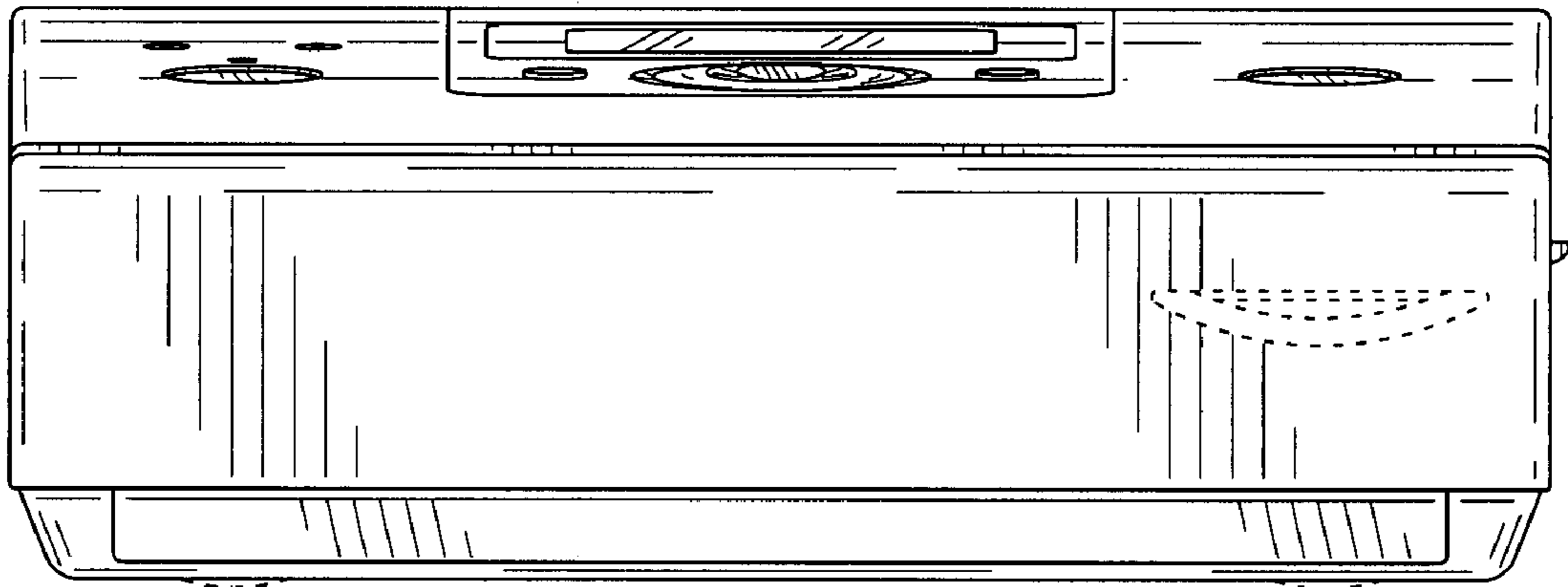


FIG.3

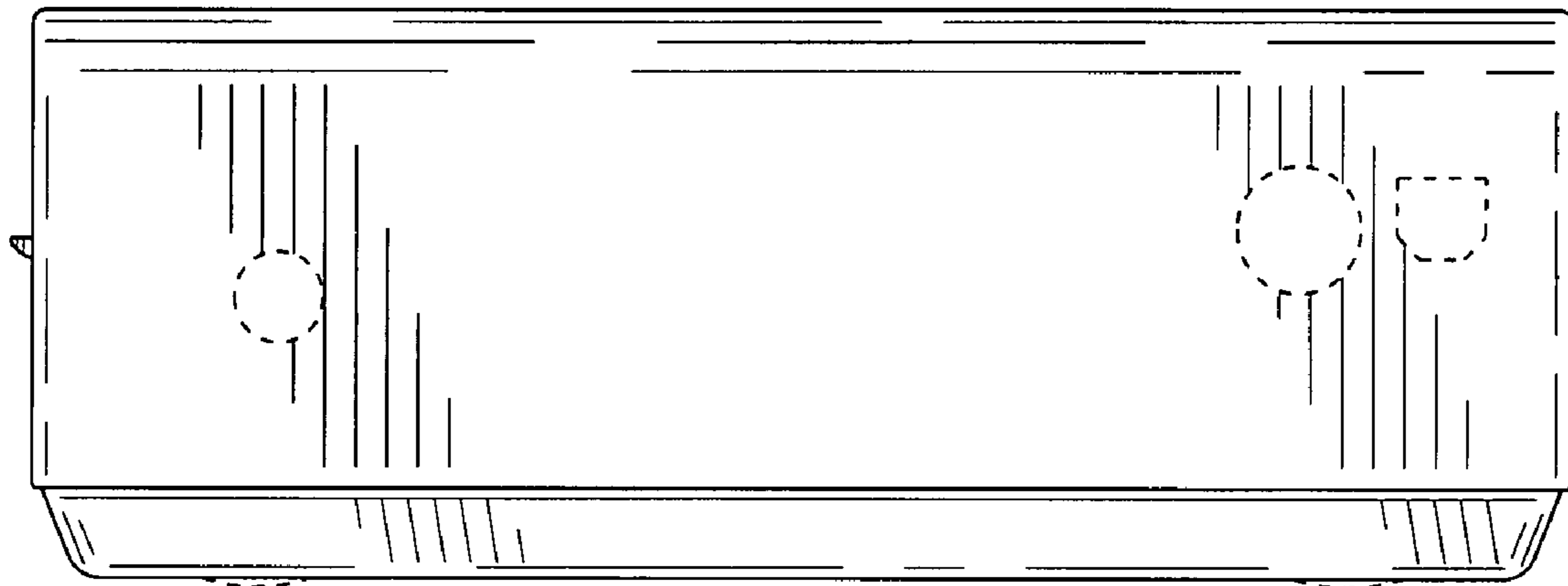


FIG.4

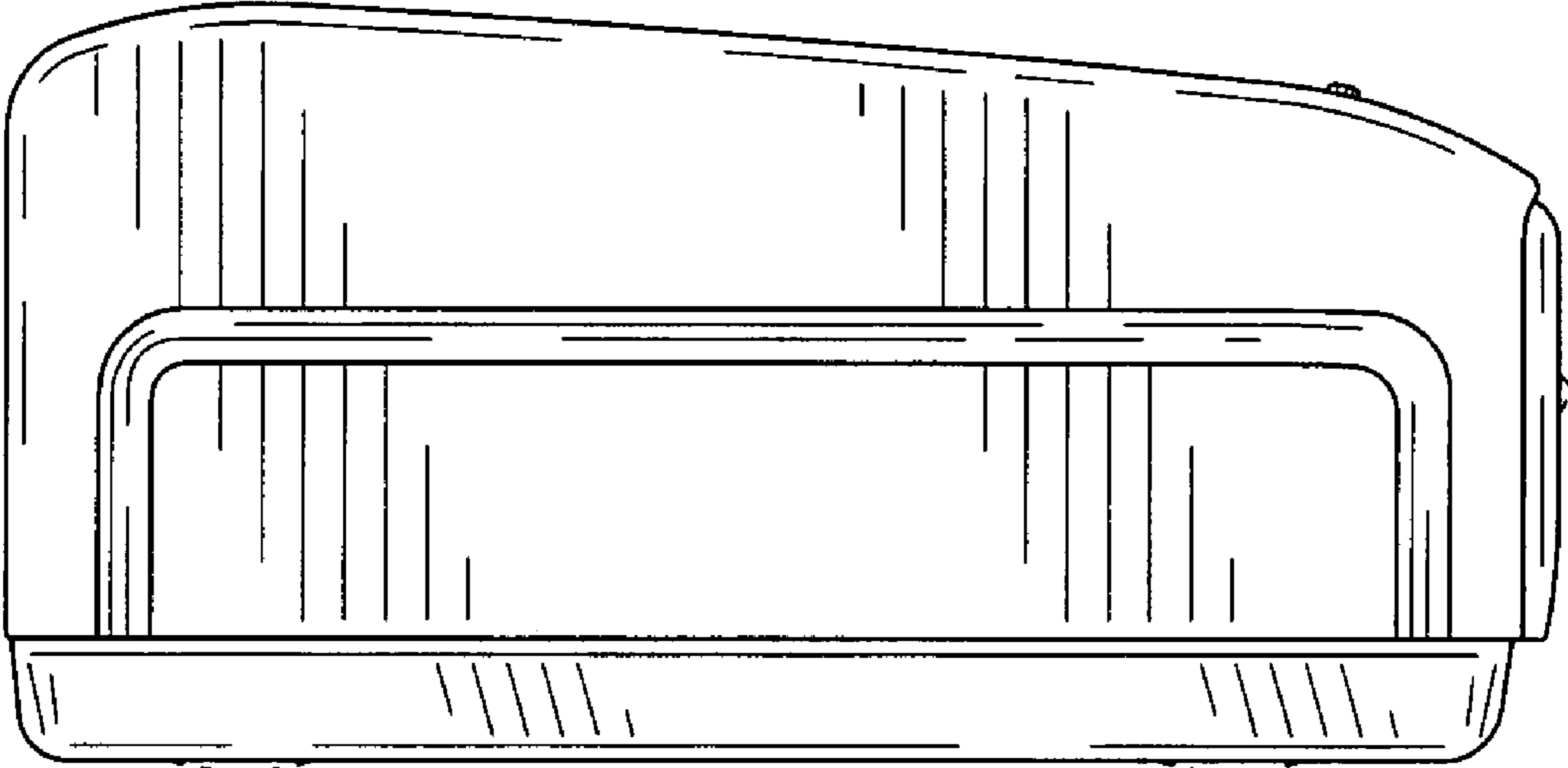


FIG.5

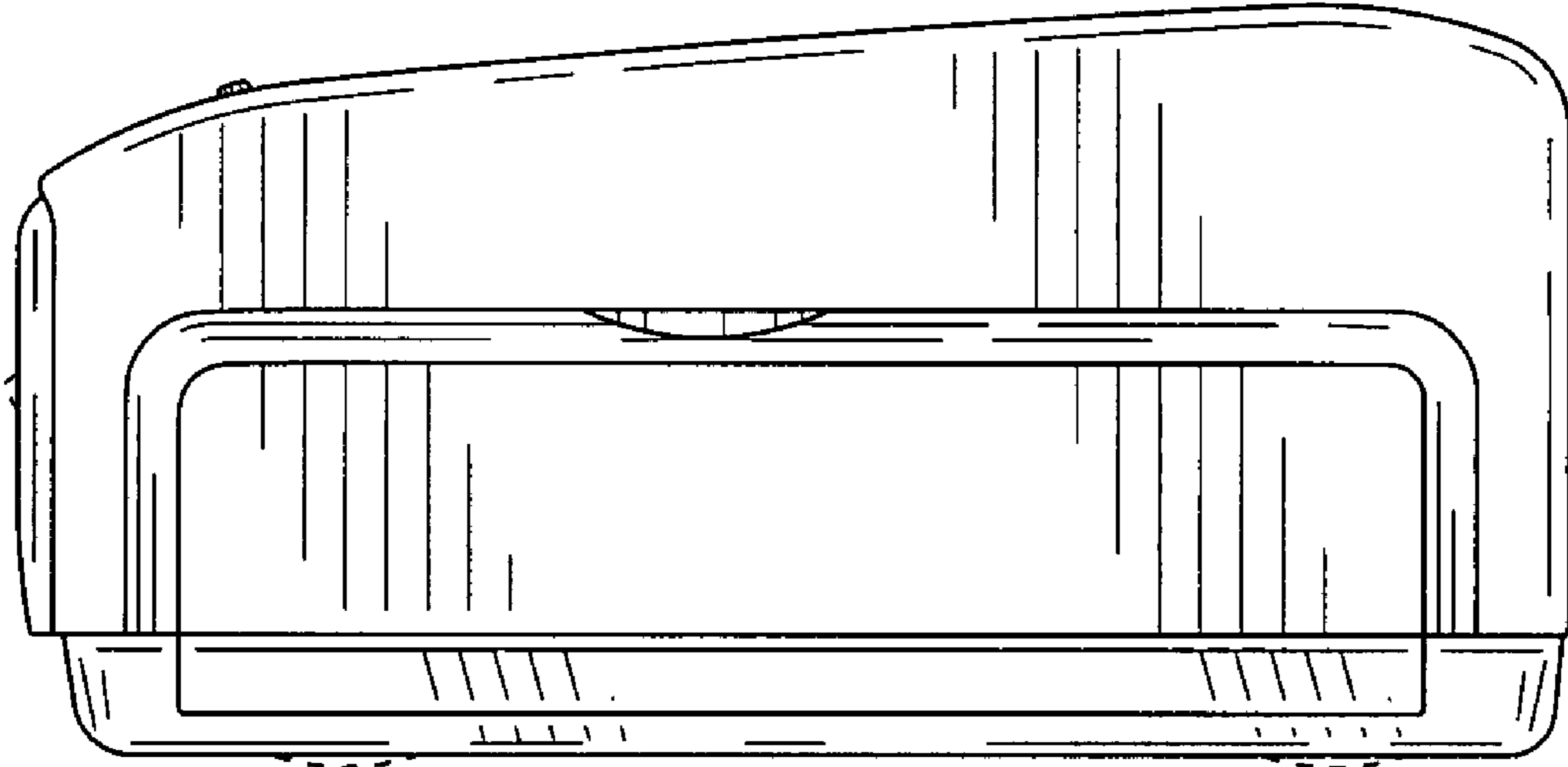


FIG.6

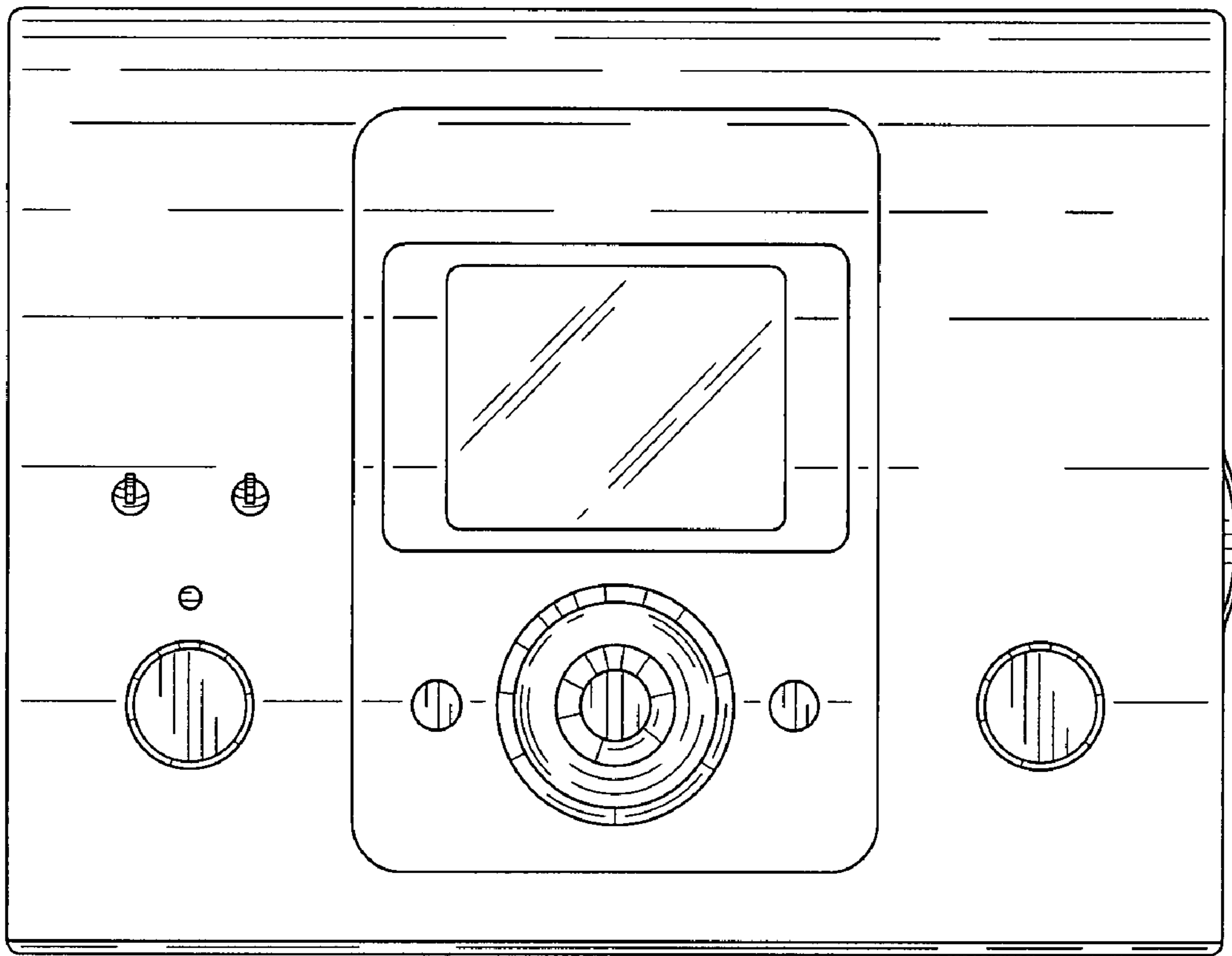


FIG.7

