

US00D576668S

(12) **United States Design Patent**
Okino et al.

(10) **Patent No.:** **US D576,668 S**
(45) **Date of Patent:** **** Sep. 9, 2008**

(54) **DEVELOPER SUPPLYING CONTAINER**

(75) Inventors: **Ayatomo Okino**, Moriya (JP); **Katsuya Murakami**, Toride (JP); **Miyabi Orihashi**, Ohta-ku (JP)

(73) Assignee: **Canon Kabushiki Kaisha**, Tokyo (JP)

(**) Term: **14 Years**

(21) Appl. No.: **29/262,165**

(22) Filed: **Jun. 28, 2006**

(30) **Foreign Application Priority Data**

Jan. 5, 2006 (JP) 2006-000022

(51) **LOC (8) Cl.** **16-03**

(52) **U.S. Cl.** **D18/43**

(58) **Field of Classification Search** D14/471;
D18/12, 36, 40, 43, 44, 56; 222/DIG. 1;
347/197, 222; 399/24-28, 107-112, 119,
399/121, 122, 222-224

See application file for complete search history.

(56) **References Cited**

U.S. PATENT DOCUMENTS

D353,832 S * 12/1994 Masaki et al. D18/43
D362,678 S * 9/1995 Ishibashi et al. D18/43
D374,456 S * 10/1996 Wakatsuki et al. D18/43
6,131,008 A * 10/2000 Kanamori et al. 399/263
D459,388 S * 6/2002 Irie et al. D18/43
D466,918 S 12/2002 Shiozaki et al. D18/43
D477,357 S * 7/2003 Nakajima et al. D18/43
D490,844 S 6/2004 Okino et al. D18/43

D491,979 S * 6/2004 Irie et al. D18/43
D529,949 S * 10/2006 Murakami et al. D18/43
D531,205 S * 10/2006 Okino D18/43
D549,274 S * 8/2007 Koizumi et al. D18/43

OTHER PUBLICATIONS

U.S. Appl. No. 29/244,363, filed Dec. 9, 2005.
U.S. Appl. No. 29/244,354, filed Dec. 9, 2005.

* cited by examiner

Primary Examiner—Robert M. Spear
Assistant Examiner—Garth Rademaker

(74) *Attorney, Agent, or Firm*—Fitzpatrick, Cella, Harper & Scinto

(57) **CLAIM**

The ornamental design for a developer supplying container, as shown and described.

DESCRIPTION

FIG. 1 is a front view of a developer supplying container showing our new design;

FIG. 2 is a rear view thereof;

FIG. 3 is a top plan view thereof;

FIG. 4 is a bottom plan view thereof;

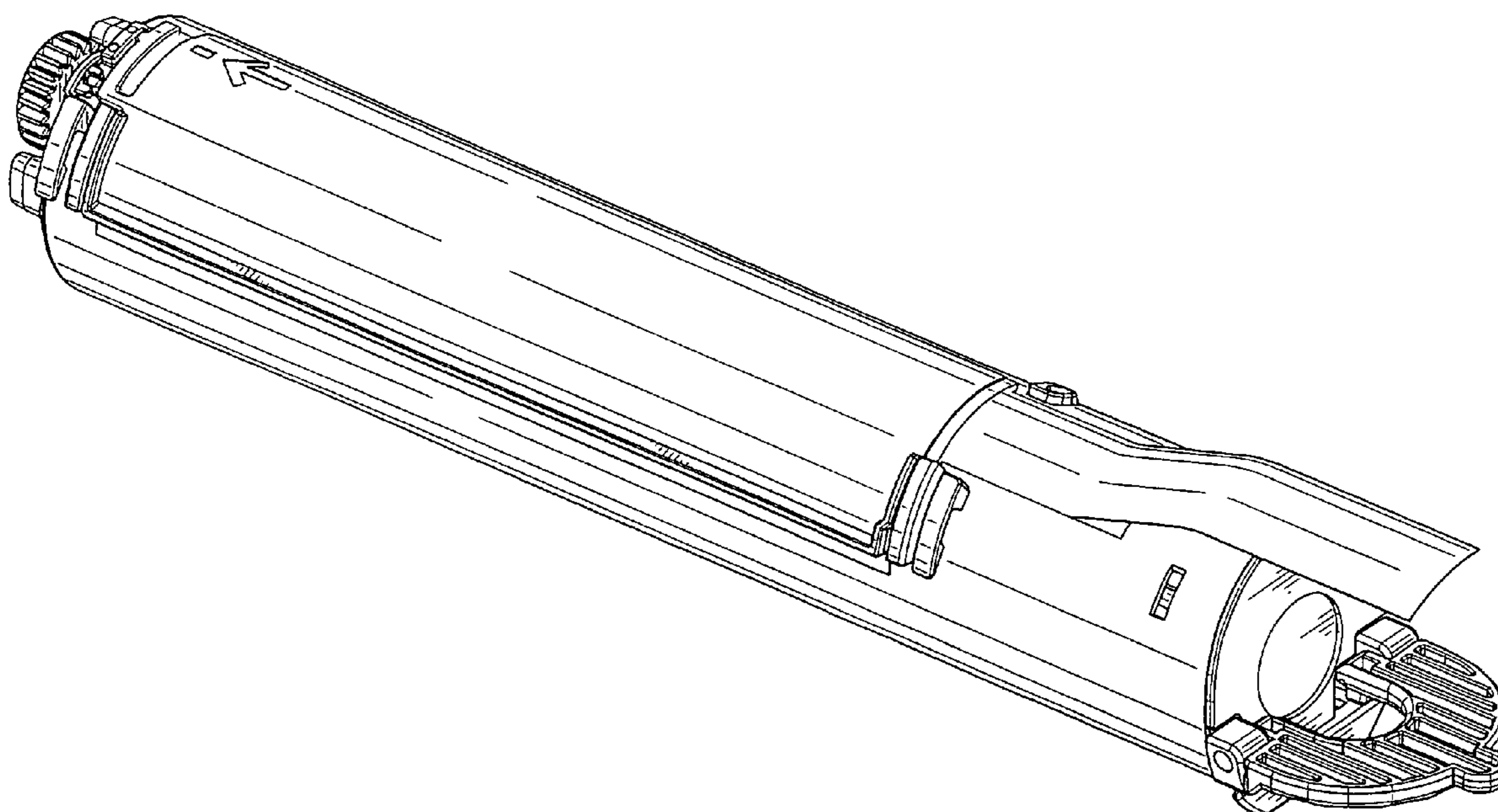
FIG. 5 is a left side view thereof;

FIG. 6 is a right side view thereof; and,

FIG. 7 is a perspective view thereof.

The broken lines depict environmental subject matter only and form no part of the claimed design.

1 Claim, 4 Drawing Sheets



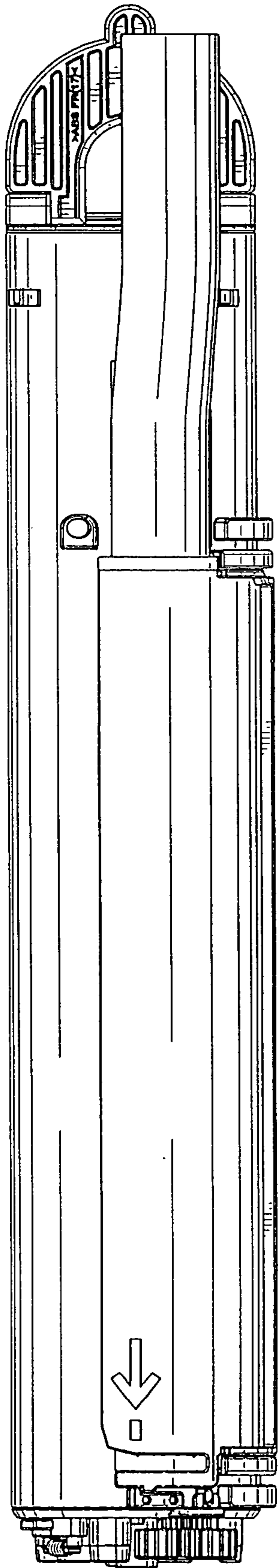


FIG. 1

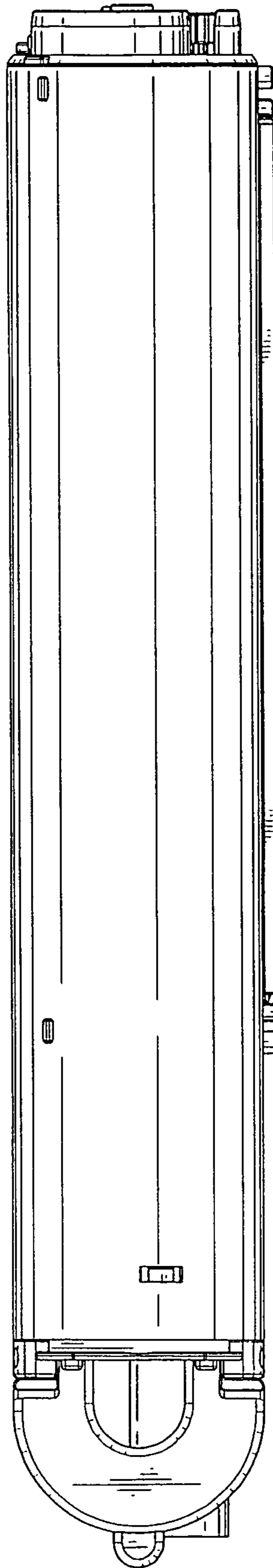


FIG. 2

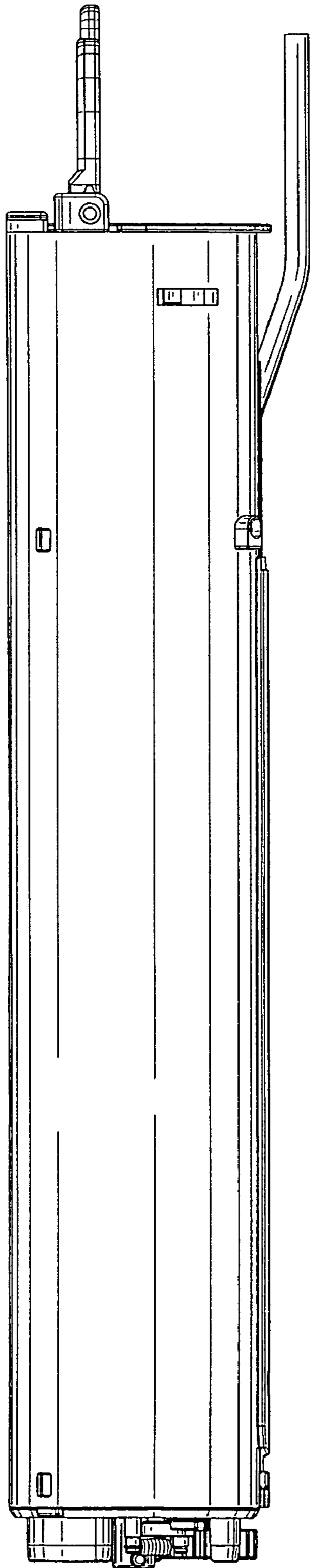


FIG. 3

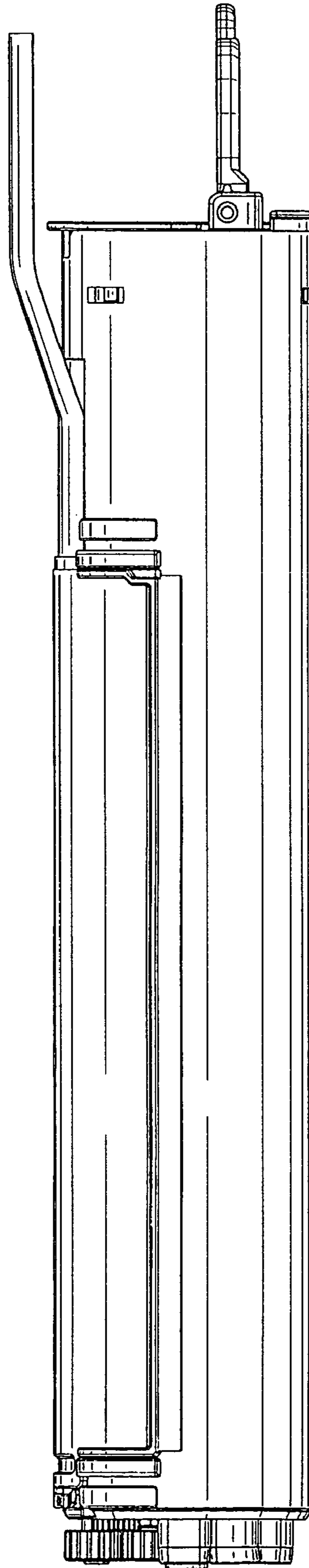


FIG. 4

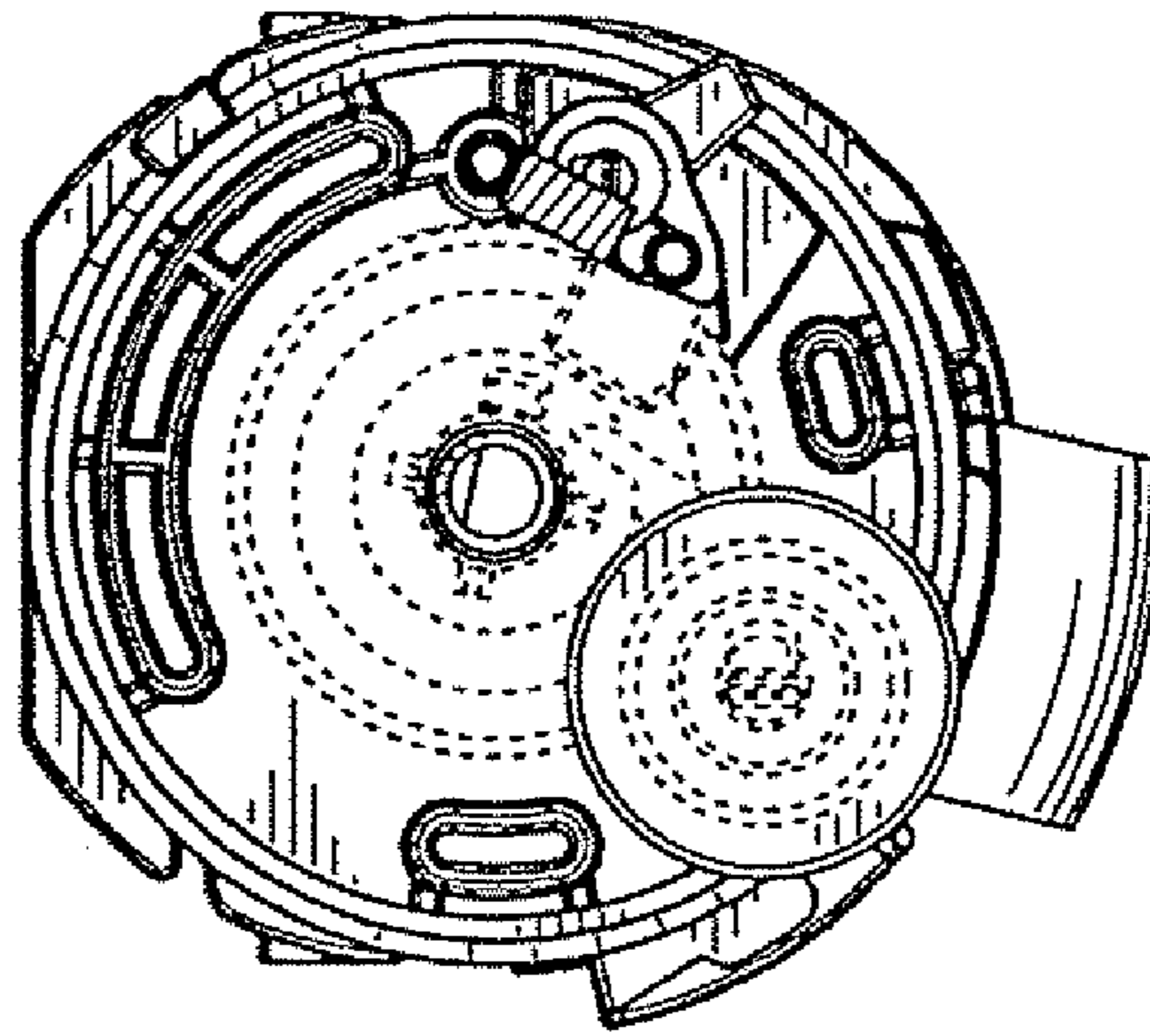


FIG. 5

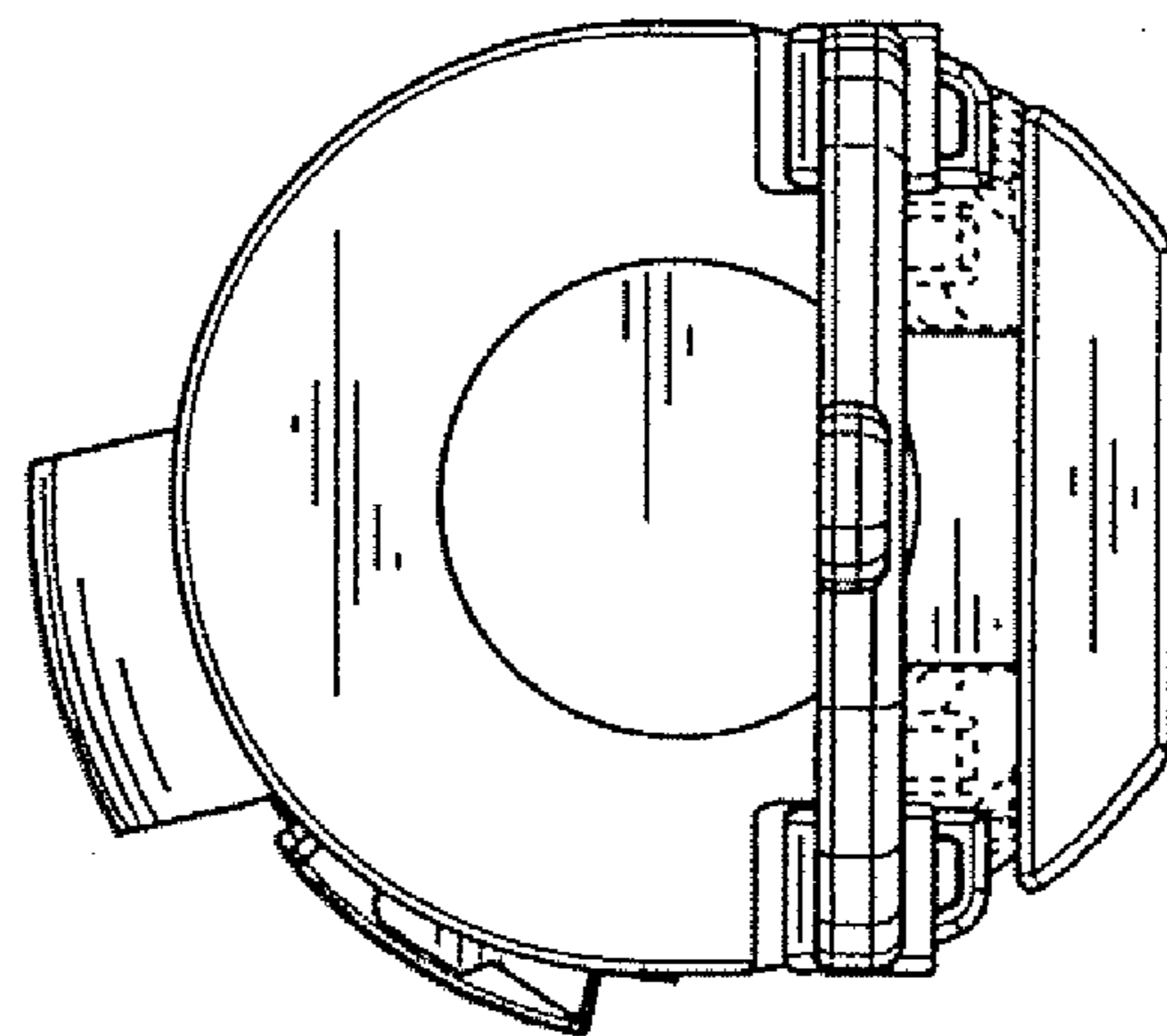


FIG. 6

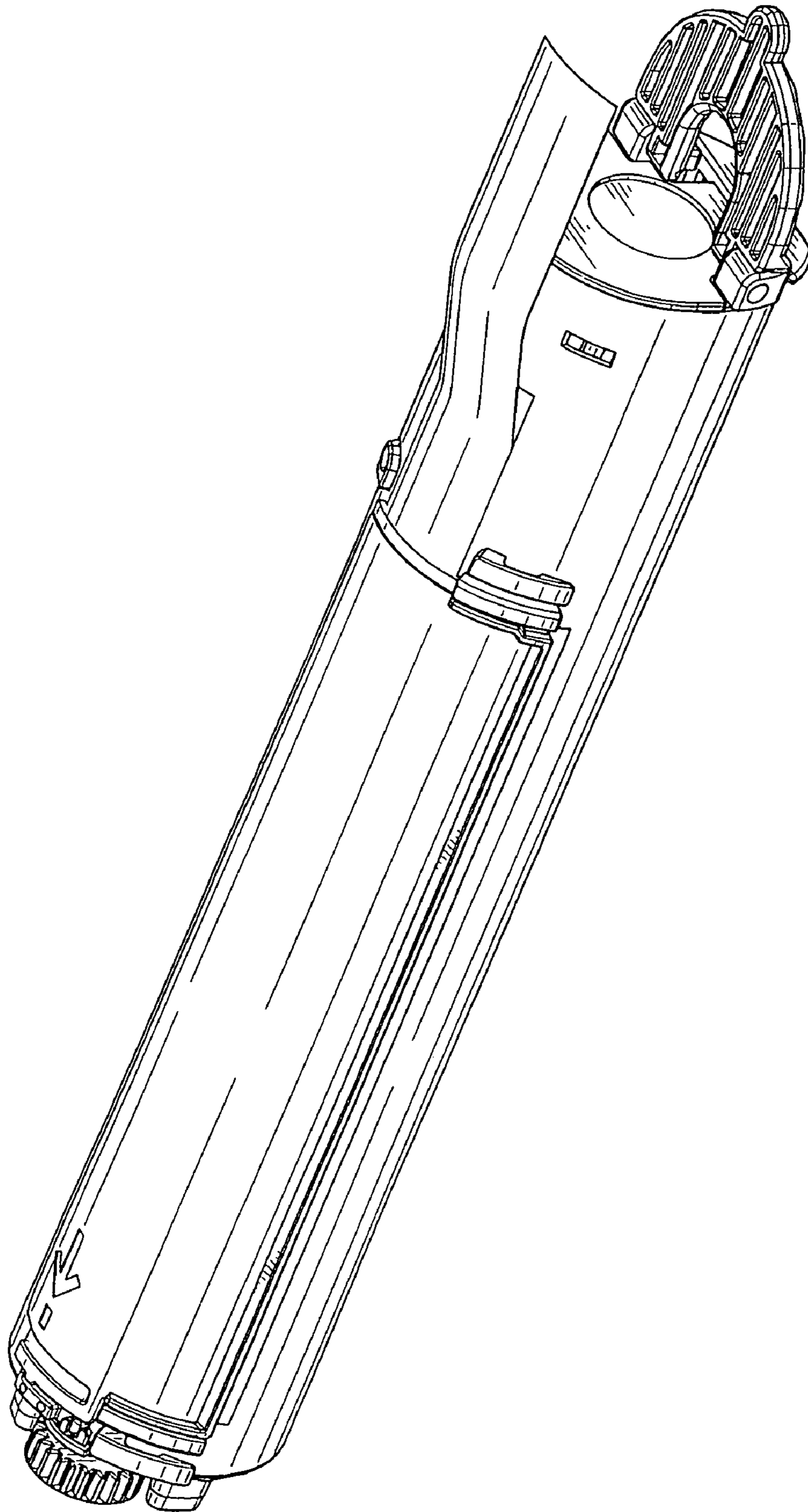


FIG. 7