



US00D576667S

(12) **United States Design Patent**
Yamagata et al.

(10) **Patent No.:** **US D576,667 S**
(45) **Date of Patent:** **** Sep. 9, 2008**

(54) **TONER CARTRIDGE**

2001/0021320 A1* 9/2001 Murayama et al. 399/117

(75) Inventors: **Takashi Yamagata**, Kyoto (JP); **Takashi Konishi**, Kyoto (JP)

FOREIGN PATENT DOCUMENTS

JP D1153694 9/2002

(73) Assignee: **Murata Kikai Kabushiki Kaisha**, Kyoto (JP)

* cited by examiner

(**) Term: **14 Years**

Primary Examiner—Caron D. Veynar

Assistant Examiner—Garth Rademaker

(21) Appl. No.: **29/246,643**

(74) *Attorney, Agent, or Firm*—Sterne, Kessler, Goldstein & Fox P.L.L.C.

(22) Filed: **Apr. 28, 2006**

(57) **CLAIM**

(51) **LOC (8) Cl.** **16-03**

The ornamental design for a toner cartridge, as shown and described.

(52) **U.S. Cl.** **D18/43**

(58) **Field of Classification Search** D14/462, D14/469-471; D18/12, 46, 40, 43, 44, 56; 222/DIG. 1; 347/197, 222; 399/24-28, 107-112, 399/119, 121, 122, 222-224; 400/207, 208
See application file for complete search history.

DESCRIPTION

FIG. 1 is a perspective view of a toner cartridge showing our new design;

FIG. 2 is a front view thereof;

FIG. 3 is a rear view thereof;

FIG. 4 is a left side view thereof;

FIG. 5 is a right side view thereof;

FIG. 6 is a top plan view thereof; and,

FIG. 7 is a bottom plan view thereof.

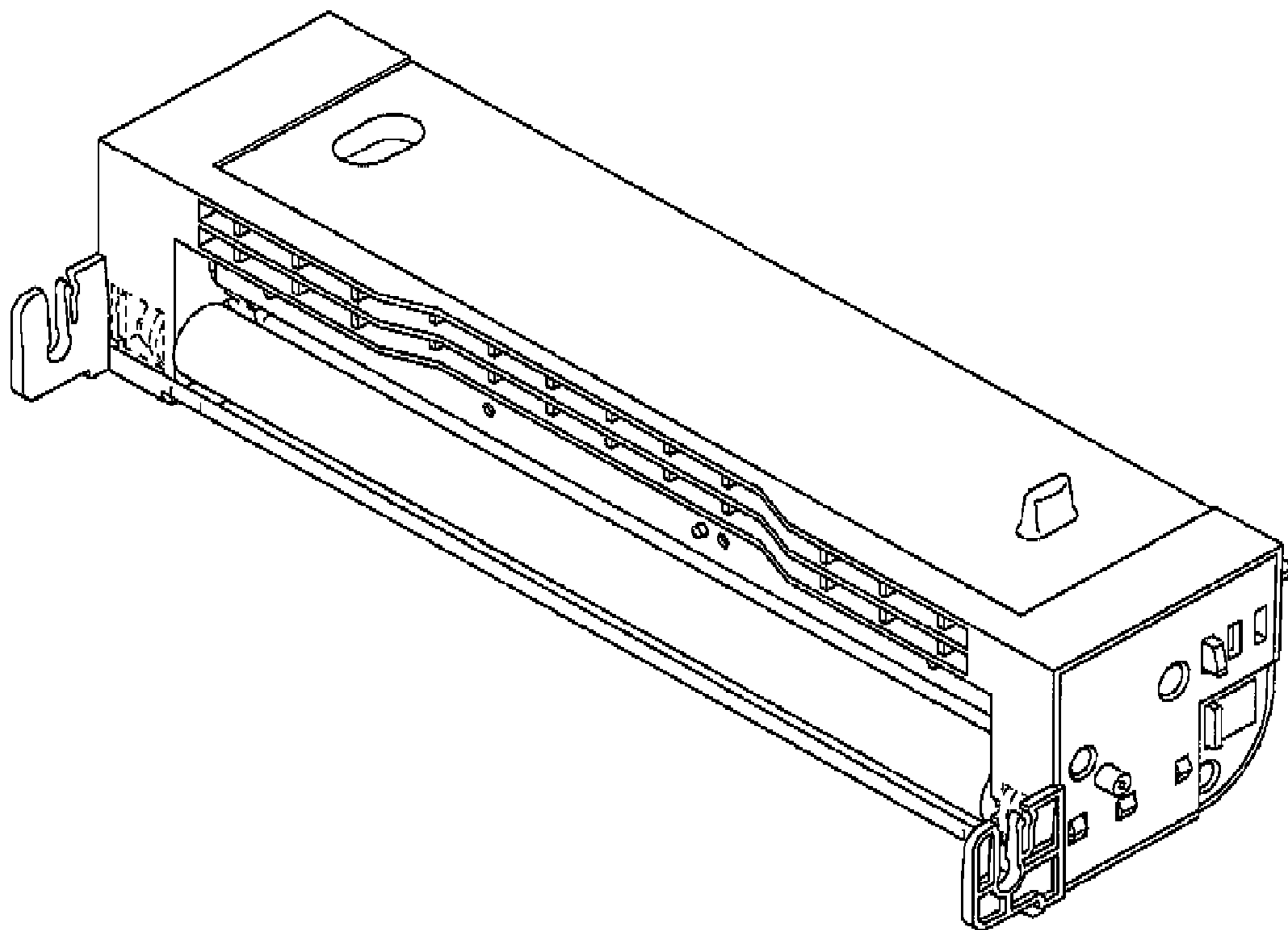
The broken lines are environmental only and form no part of the claimed design.

(56) **References Cited**

U.S. PATENT DOCUMENTS

D314,971 S * 2/1991 Nakamura et al. D18/12
5,398,098 A * 3/1995 Fukunaga et al. 399/110
6,397,018 B1 * 5/2002 Matsumoto et al. 399/27
D471,203 S * 3/2003 Miyaoka D14/471
D478,614 S * 8/2003 Numagami et al. D18/40
6,608,980 B2 * 8/2003 Murayama et al. 399/111
D489,400 S * 5/2004 Nagashiro D18/43
6,832,057 B2 * 12/2004 Oguma et al. 399/27

1 Claim, 7 Drawing Sheets



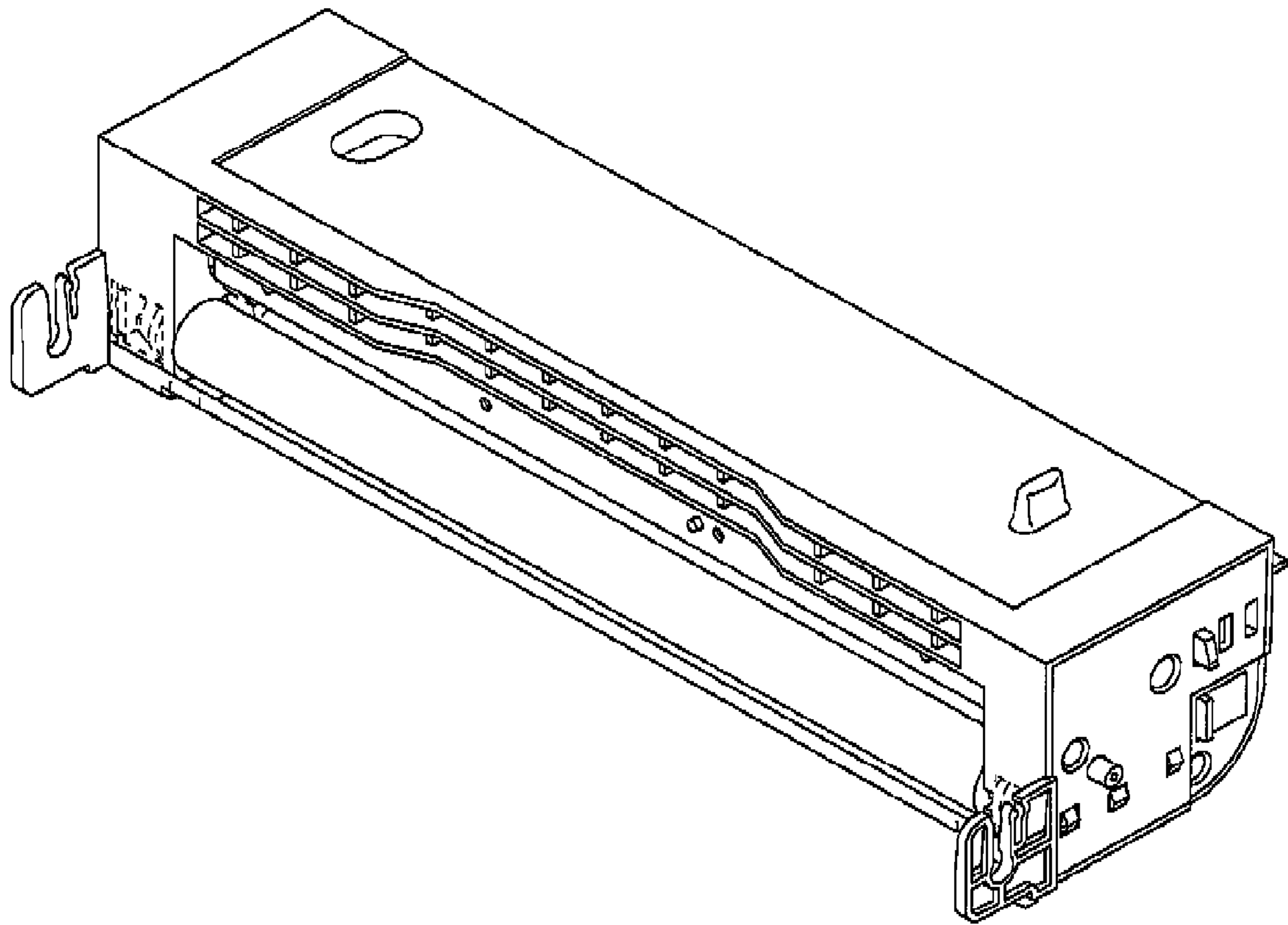


FIG. 1

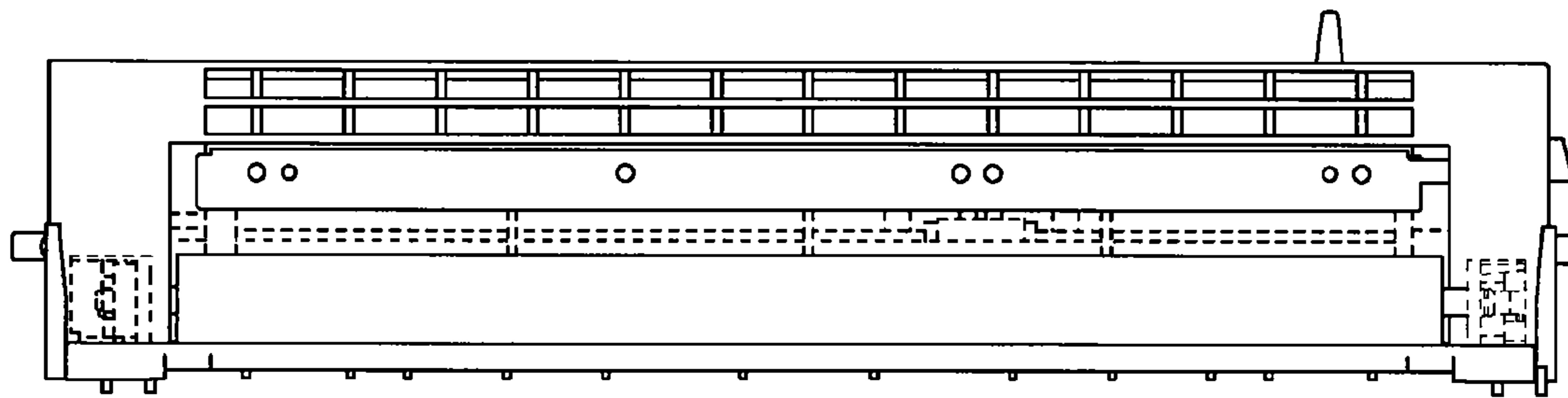


FIG. 2

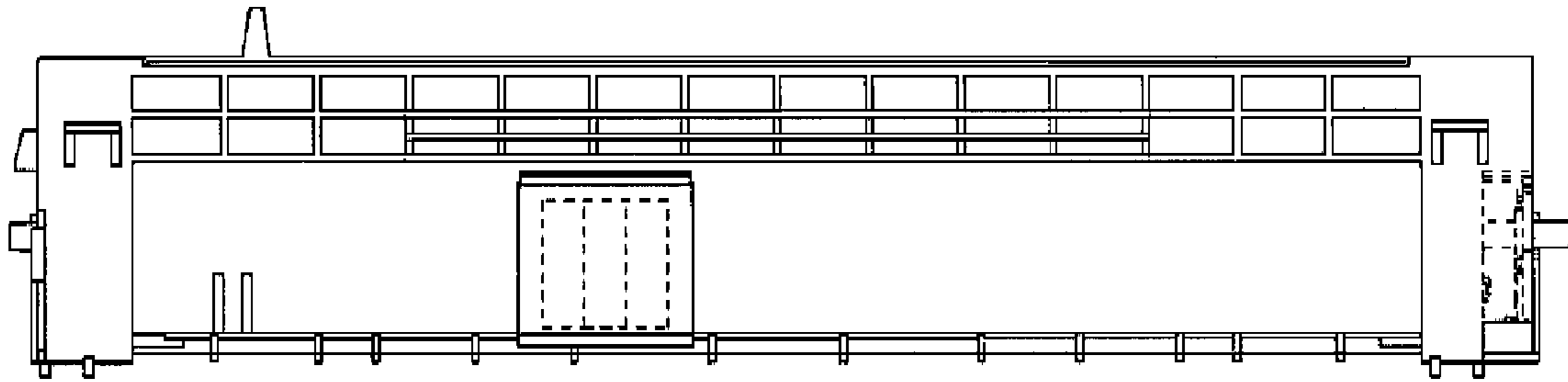


FIG. 3

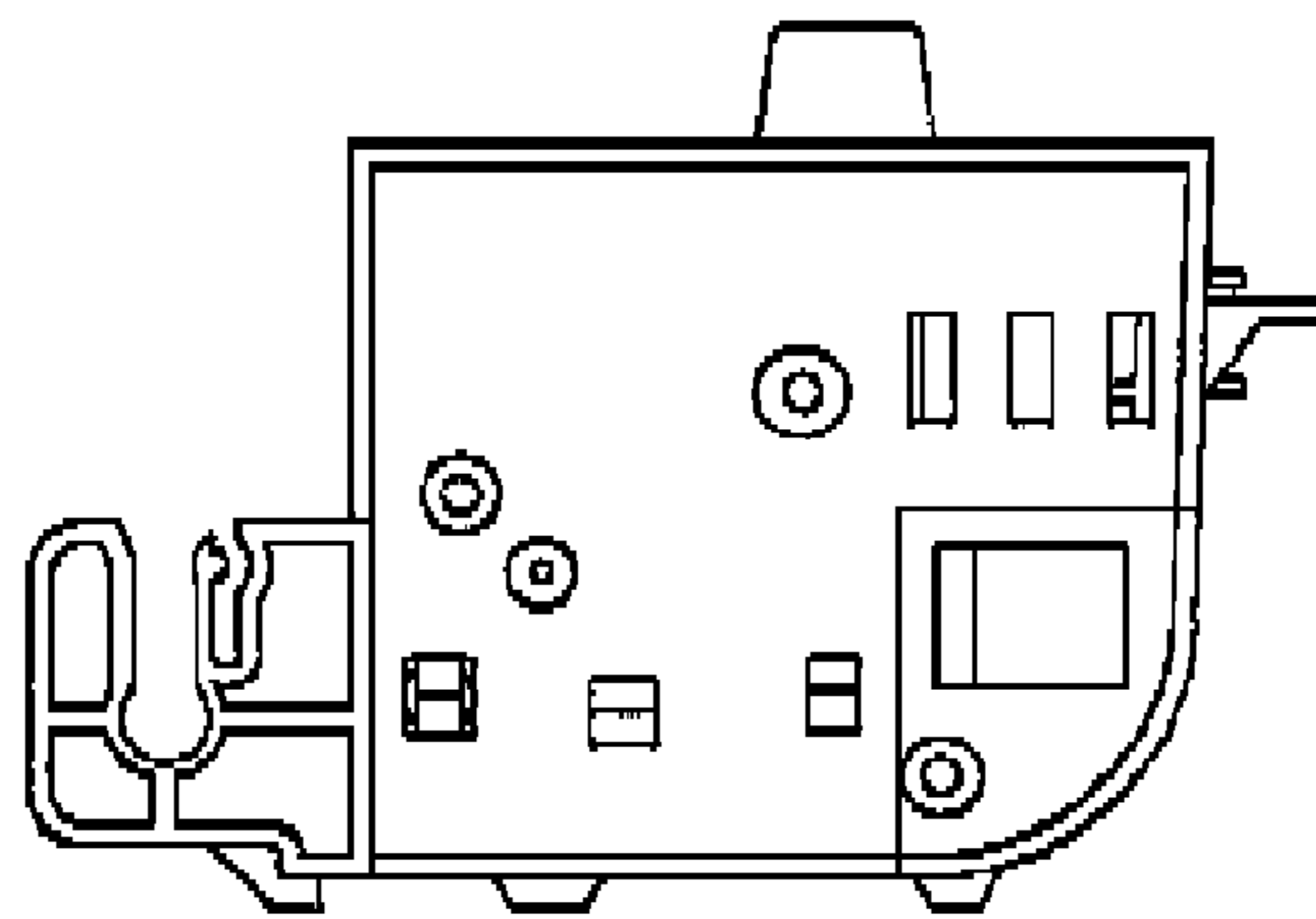


FIG. 4

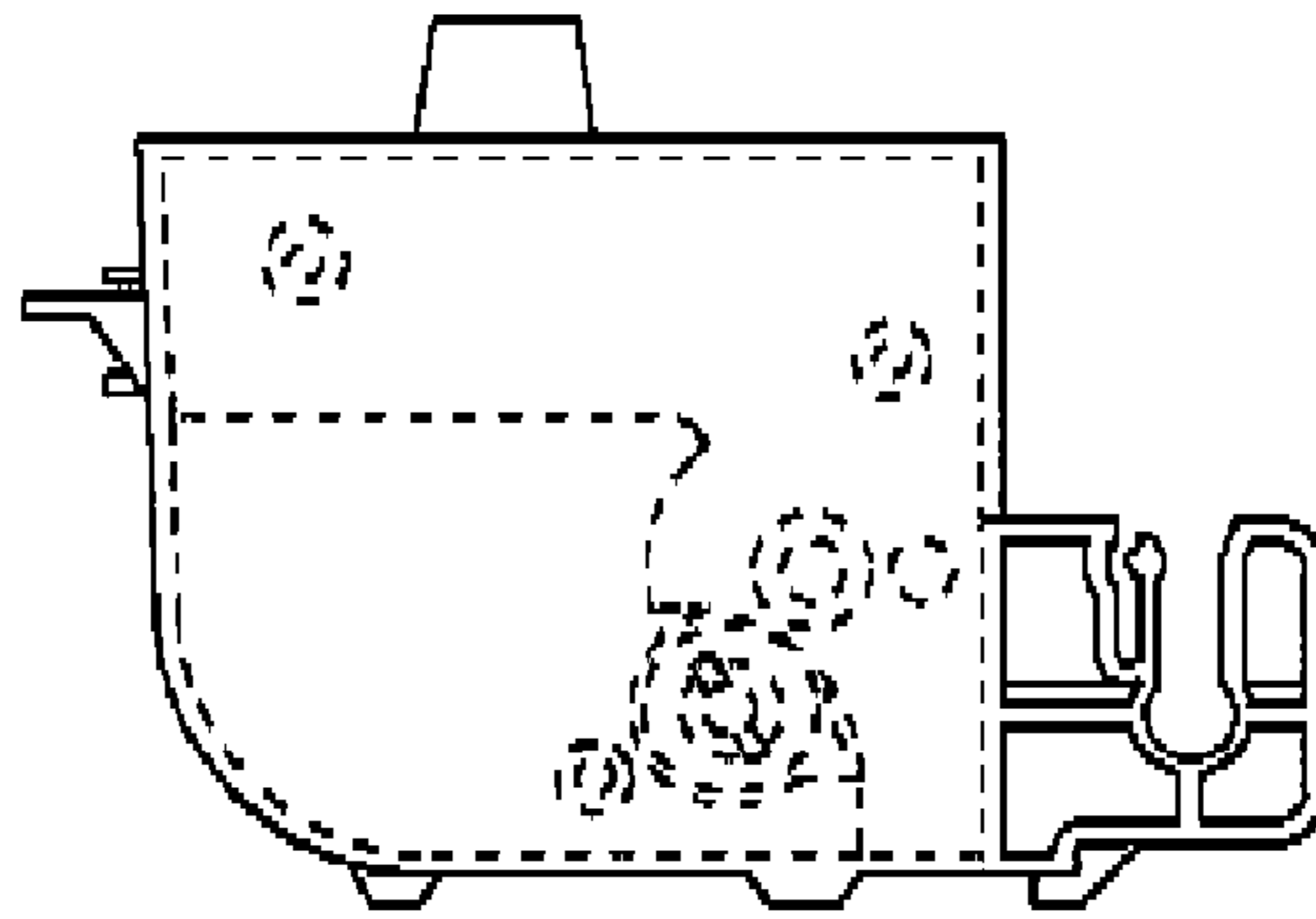


FIG. 5

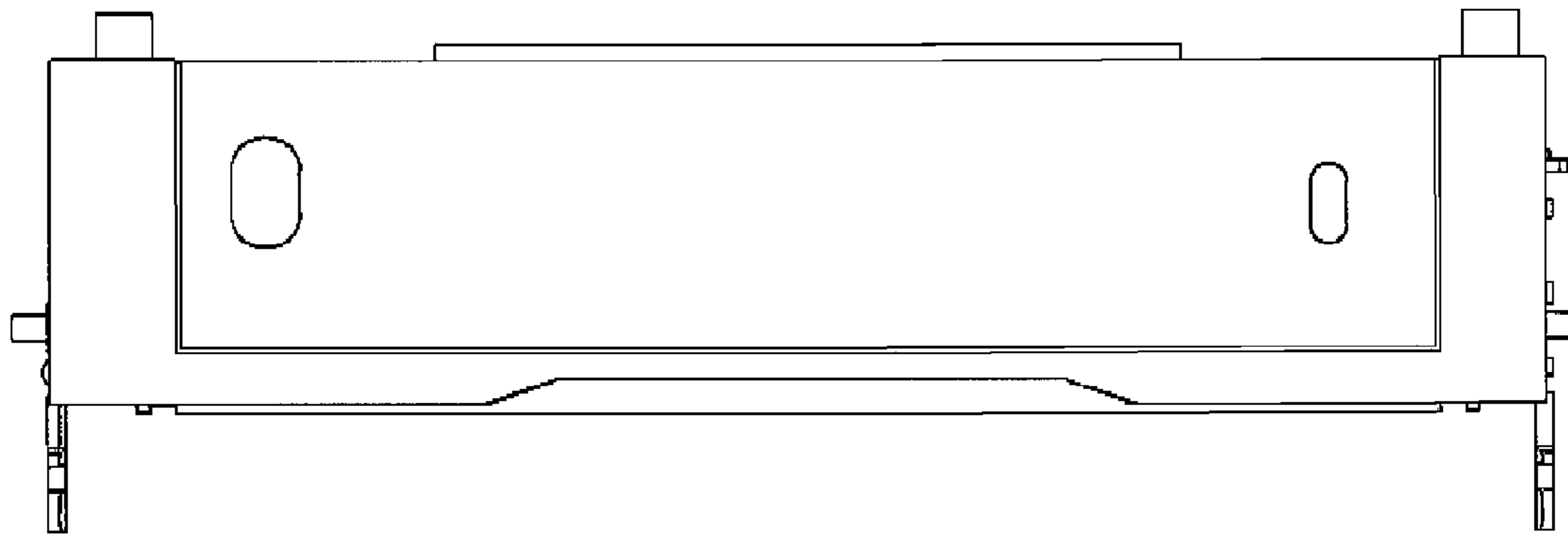


FIG. 6

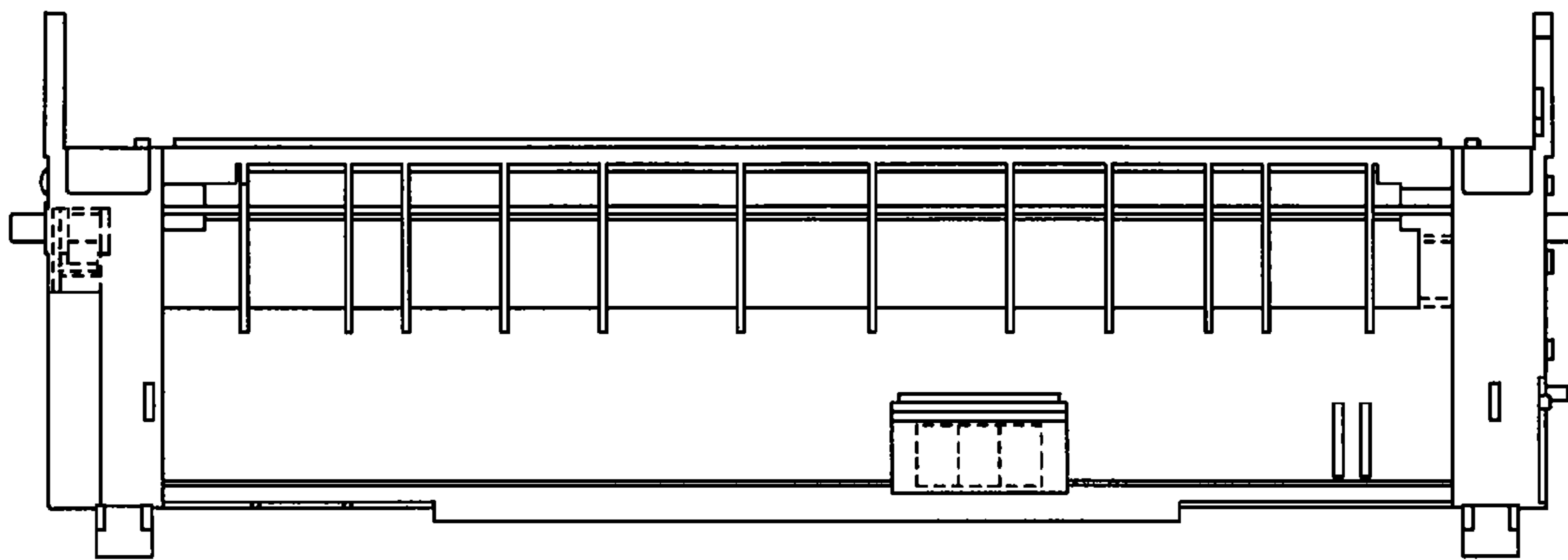


FIG. 7