

US00D57666S

(12) **United States Design Patent**
Isogai et al.

(10) **Patent No.:** **US D576,666 S**
(45) **Date of Patent:** **** Sep. 9, 2008**

(54) **ELECTRONIC COPYING MACHINE**

FOREIGN PATENT DOCUMENTS

- (75) Inventors: **Yoshitaka Isogai**, Tokyo (JP); **Yu Iritani**, Tokyo (JP)
- (73) Assignee: **Konica Minolta Business Technologies, Inc.**, Chiyoda-Ku, Tokyo (JP)
- (**) Term: **14 Years**
- (21) Appl. No.: **29/300,502**
- (22) Filed: **Apr. 3, 2008**

JP	D1256269	11/2005
JP	D1256270	11/2005
JP	D1256271	11/2005
JP	D1256272	11/2005
JP	D1256273	11/2005
JP	D1256274	11/2005
JP	D1256275	11/2005
JP	D1256425	11/2005
JP	D1256426	11/2005
JP	D1256919	11/2005
JP	D1256920	11/2005

Related U.S. Application Data

- (62) Division of application No. 29/265,742, filed on Sep. 8, 2006.

Foreign Application Priority Data

- (30) Mar. 14, 2006 (JP) 2006-006404
- Mar. 14, 2006 (JP) 2006-006405
- Mar. 14, 2006 (JP) 2006-006406

- (51) **LOC (8) Cl.** **16-03**
- (52) **U.S. Cl.** **D18/40**
- (58) **Field of Classification Search** D18/36-41, D18/44-56; 222/DIG. 1; 271/3.14, 8.1, 271/226, 278; 355/97, 99; 358/1.1; 399/1-7, 399/16, 75, 81, 107, 130, 151, 361, 365, 399/367, 381-383, 388
See application file for complete search history.

References Cited

U.S. PATENT DOCUMENTS

- D502,210 S * 2/2005 Katori et al. D18/39
- 7,062,197 B2 * 6/2006 Kunugi 399/107
- D537,114 S * 2/2007 Gant et al. D18/54
- D548,275 S * 8/2007 Ishio et al. D18/39
- 2008/0003010 A1 * 1/2008 Isogai et al. 399/81

* cited by examiner

Primary Examiner—Caron D. Veynar
Assistant Examiner—Garth Rademaker
 (74) *Attorney, Agent, or Firm*—Buchanan Ingersoll & Rooney PC

(57) **CLAIM**

The ornamental design for an electronic copying machine, as shown and described.

DESCRIPTION

FIG. 1 is a top, front and right side perspective view of an electronic copying machine showing our new design;
 FIG. 2 is a front elevational view thereof;
 FIG. 3 is a rear elevational view thereof;
 FIG. 4 is a top plan view thereof;
 FIG. 5 is a bottom plan view thereof;
 FIG. 6 is a right side view thereof; and,
 FIG. 7 is a left side view thereof.

The broken lines depict environmental subject matter only and form no part of the claimed design.

1 Claim, 7 Drawing Sheets

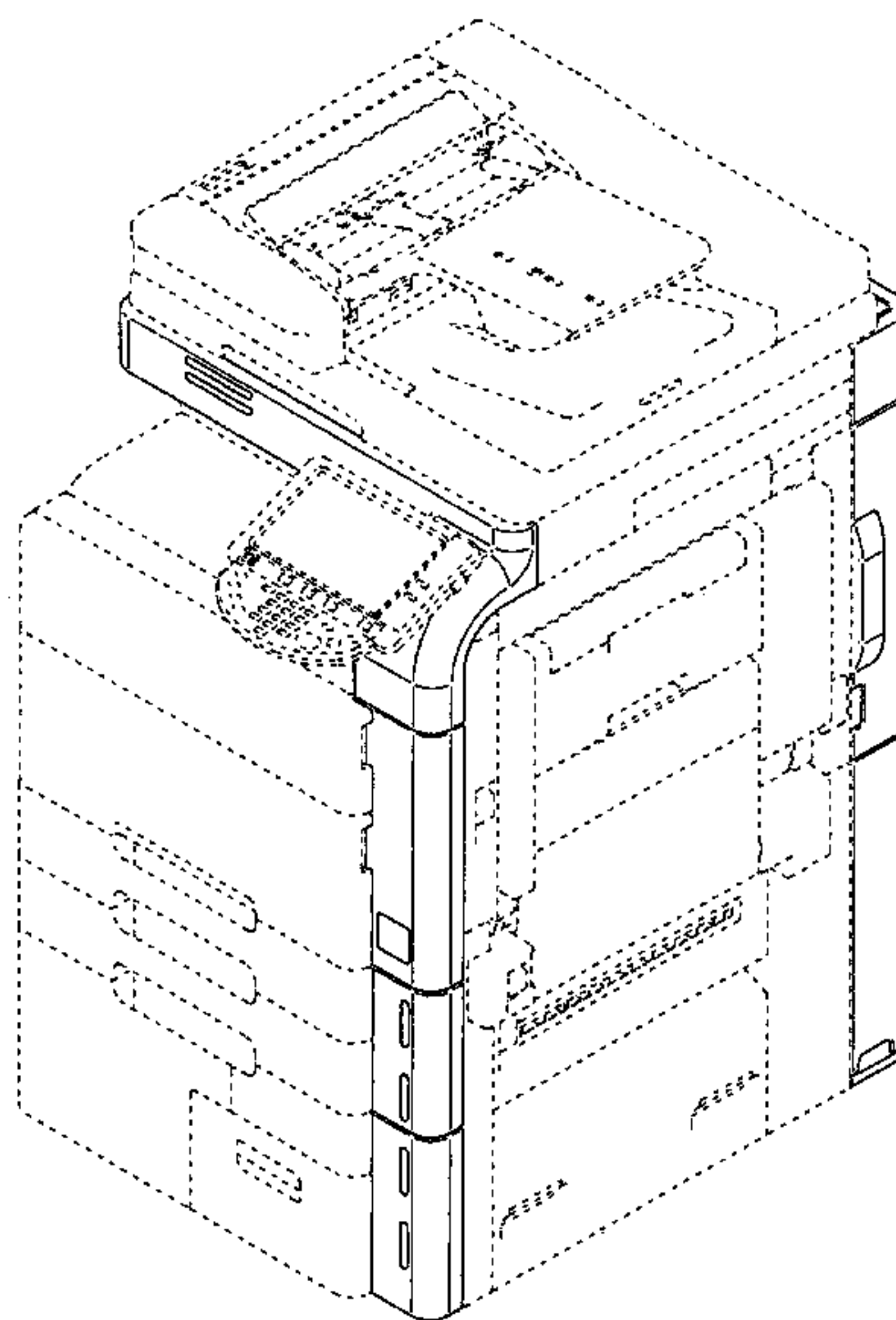


FIG. 1

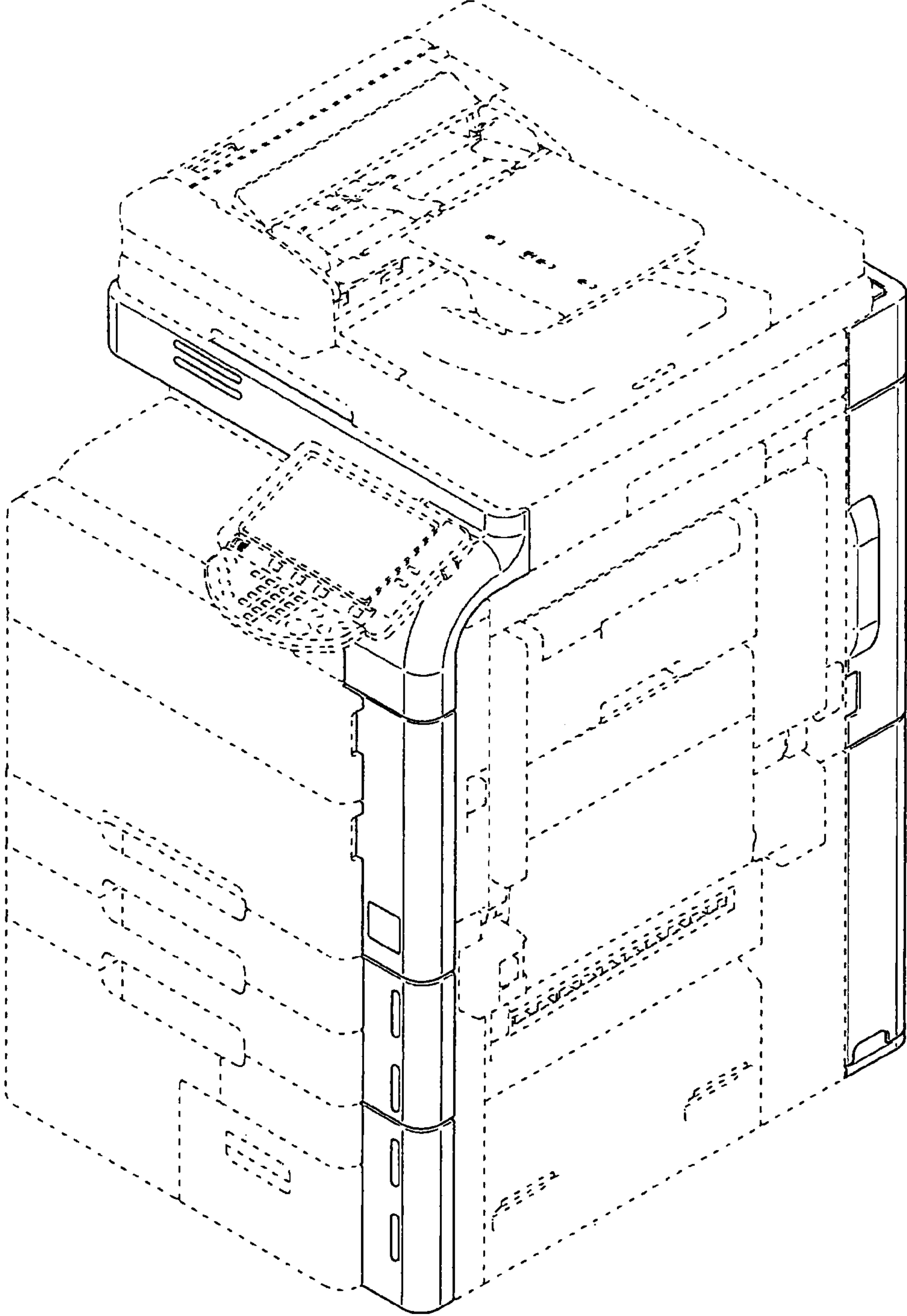


FIG. 2

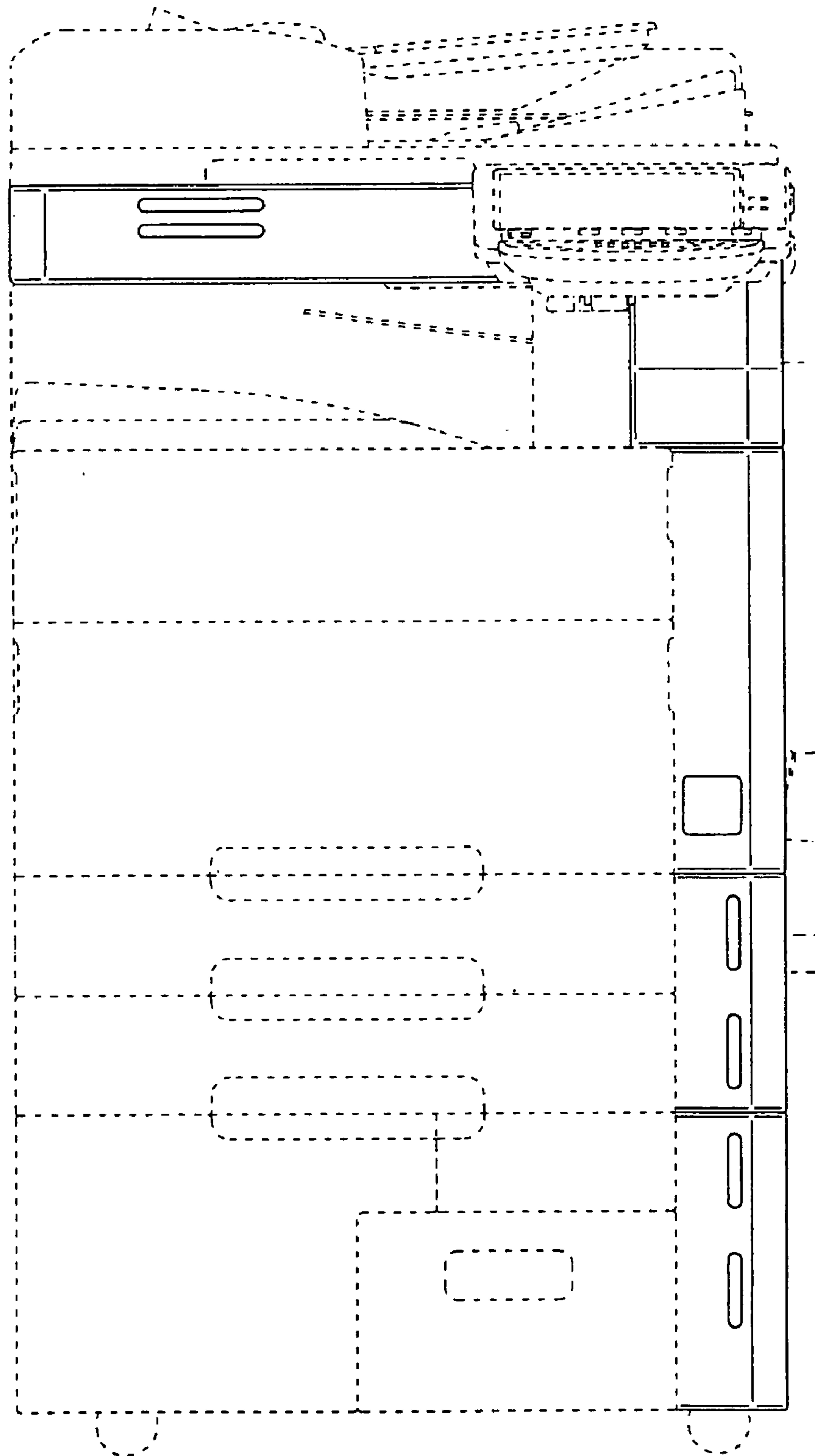


FIG. 3

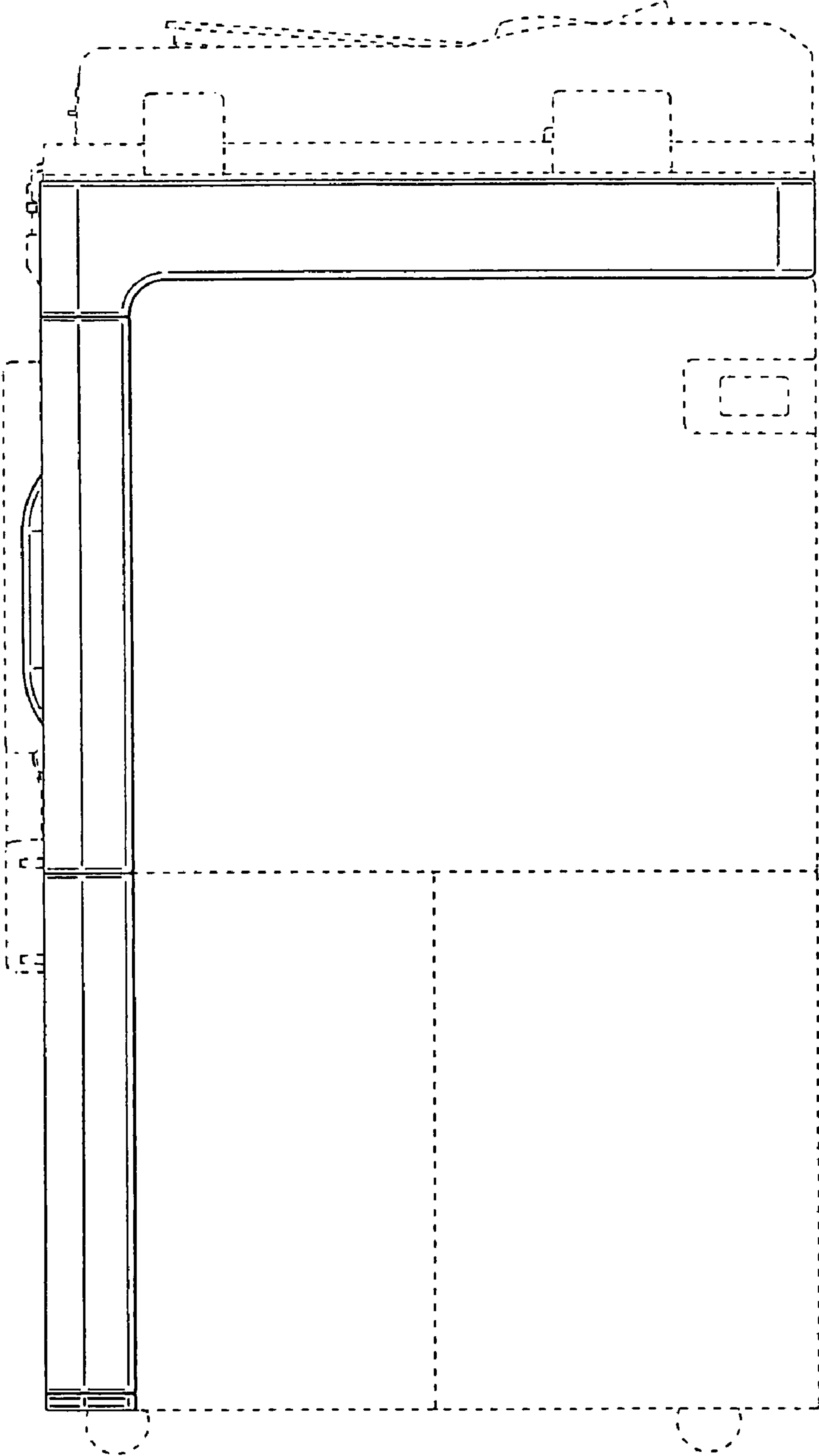


FIG. 4

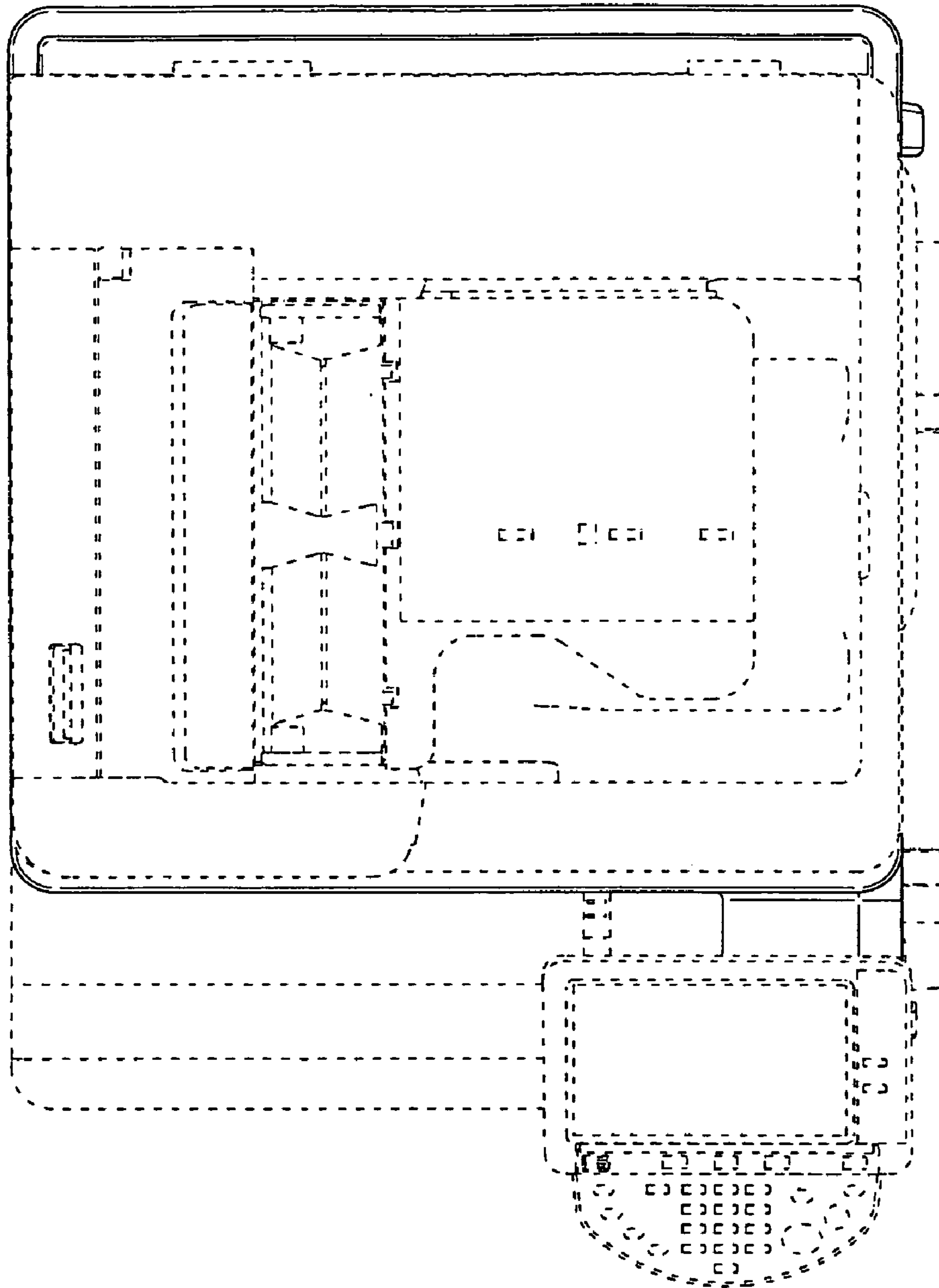


FIG. 5

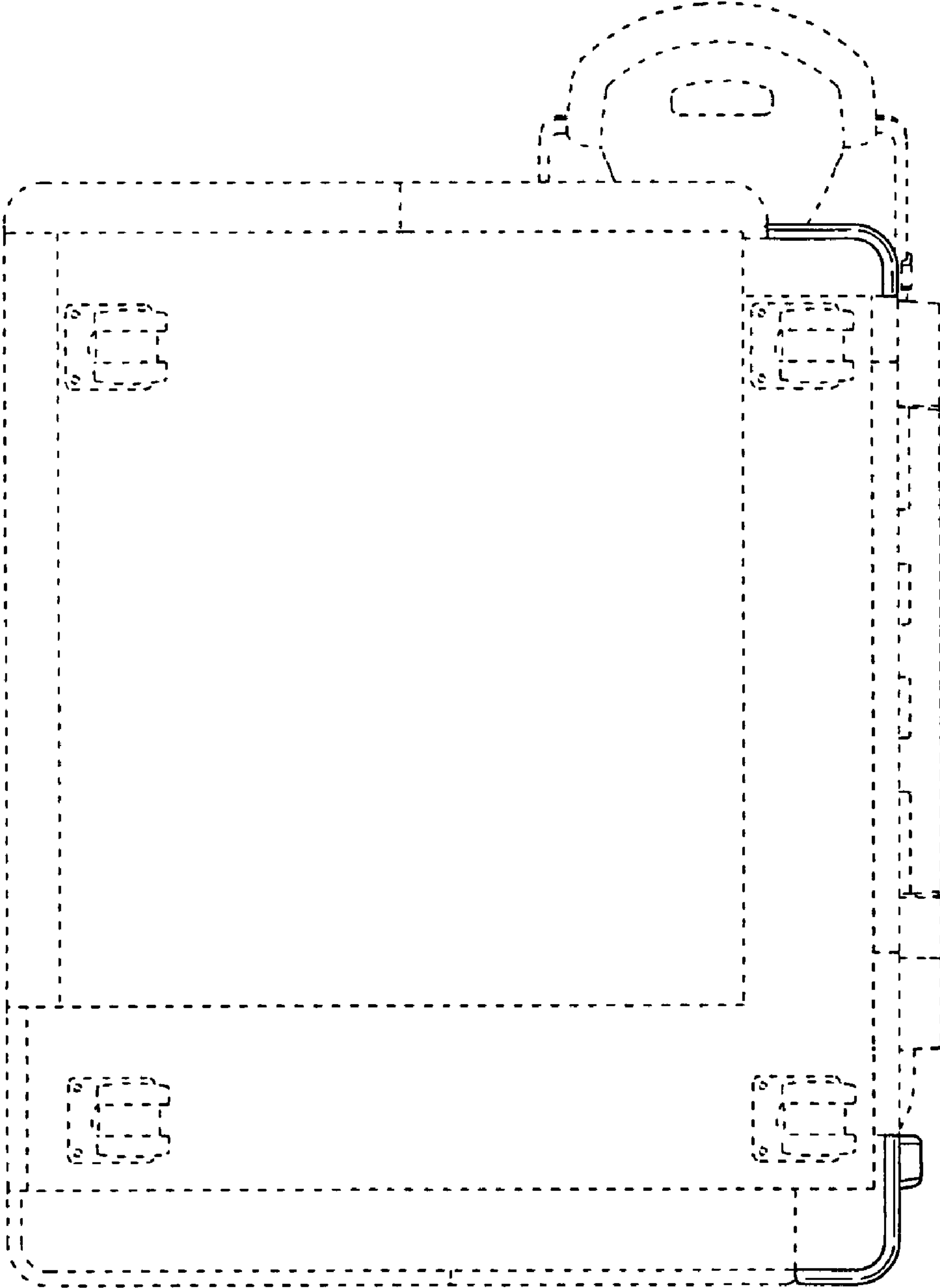


FIG. 6

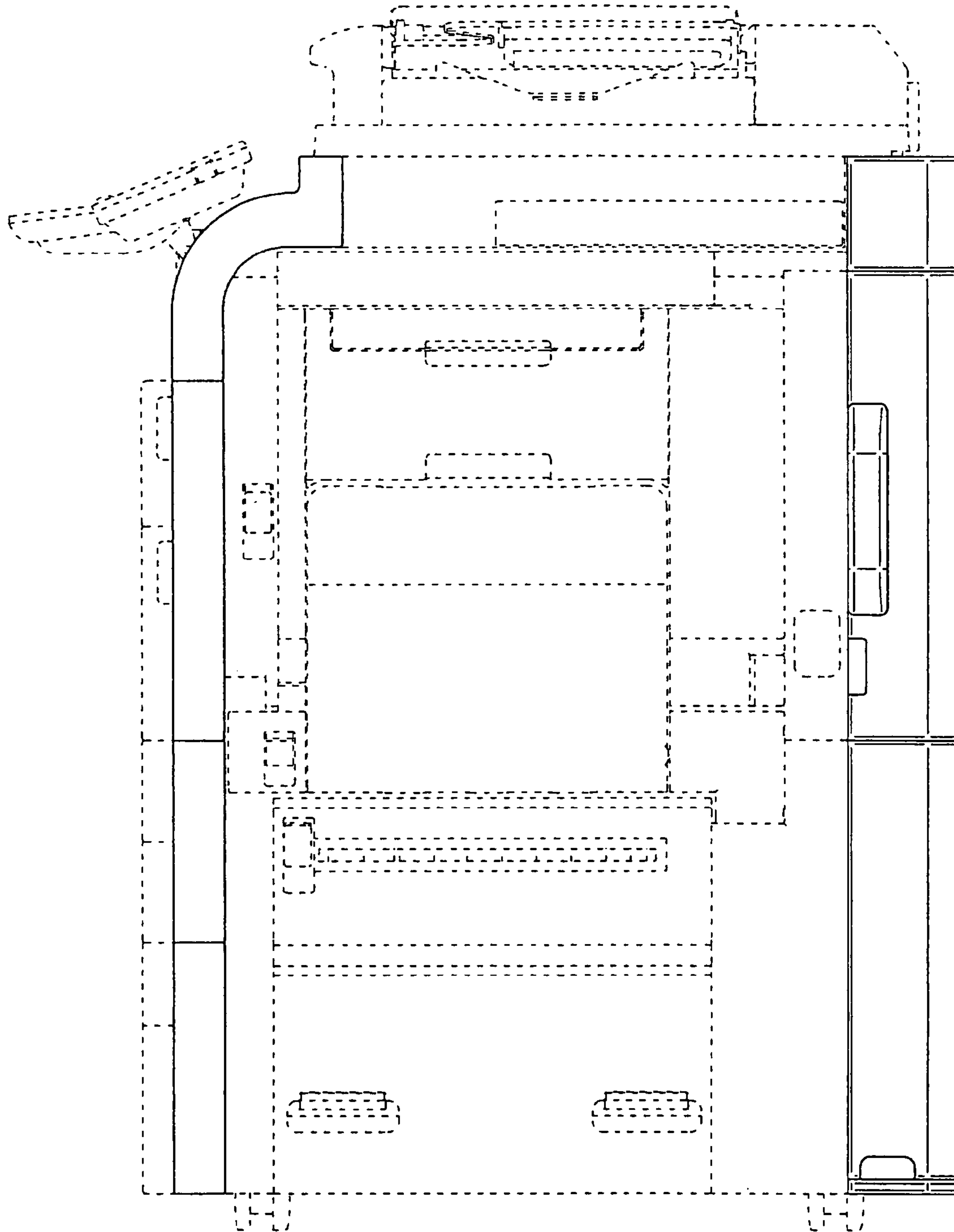


FIG. 7

