

US00D576665S

(12) **United States Design Patent**  
**Isogai et al.**

(10) **Patent No.:** **US D576,665 S**  
(45) **Date of Patent:** **\*\* Sep. 9, 2008**

(54) **ELECTRONIC COPYING MACHINE**

(75) Inventors: **Yoshitaka Isogai**, Tokyo (JP); **Yu Iritani**, Tokyo (JP)

(73) Assignee: **Konica Minolta Business Technologies, Inc.**, Chiyoda-Ku, Tokyo (JP)

(\*\*) Term: **14 Years**

(21) Appl. No.: **29/300,501**

(22) Filed: **Apr. 3, 2008**

**Related U.S. Application Data**

(62) Division of application No. 29/265,742, filed on Sep. 8, 2006.

(30) **Foreign Application Priority Data**

Mar. 14, 2006	(JP)	.....	2006-006404
Mar. 14, 2006	(JP)	.....	2006-006405
Mar. 14, 2006	(JP)	.....	2006-006406

(51) **LOC (8) Cl.** ..... **16-03**

(52) **U.S. Cl.** ..... **D18/39**

(58) **Field of Classification Search** ..... D18/36-41,  
D18/44-56; 222/DIG. 1; 271/3.14, 8.1,  
271/226, 278; 355/97, 99; 358/1.1; 399/1-7,  
399/16, 75, 81, 107, 130, 151, 361, 365,  
399/367, 381-383, 388

See application file for complete search history.

(56) **References Cited**

**U.S. PATENT DOCUMENTS**

D502,210	S *	2/2005	Katori et al.	.....	D18/39
7,062,197	B2 *	6/2006	Kunugi	.....	399/107
D548,275	S *	8/2007	Ishio et al.	.....	D18/39
2008/0003010	A1 *	1/2008	Isogai et al.	.....	399/81

**FOREIGN PATENT DOCUMENTS**

JP D1256269 11/2005

JP	D1256270	11/2005
JP	D1256271	11/2005
JP	D1256272	11/2005
JP	D1256273	11/2005
JP	D1256274	11/2005
JP	D1256275	11/2005
JP	D1256425	11/2005
JP	D1256426	11/2005
JP	D1256919	11/2005
JP	D1256920	11/2005

\* cited by examiner

*Primary Examiner*—Caron D. Veynar

*Assistant Examiner*—Garth Rademaker

(74) *Attorney, Agent, or Firm*—Buchanan Ingersoll & Rooney PC

(57) **CLAIM**

The ornamental design for an electronic copying machine, as shown and described.

**DESCRIPTION**

FIG. 1 is a top, front and right side perspective view of an electronic copying machine showing our new design;

FIG. 2 is a front elevational view thereof;

FIG. 3 is a rear elevational view thereof;

FIG. 4 is a top plan view thereof;

FIG. 5 is a bottom plan view thereof;

FIG. 6 is a right side view thereof;

FIG. 7 is a left side view thereof; and,

FIG. 8 is a top, front and right side perspective view thereof, illustrated with the paper feeder trays, the document feeder, and the manual paper feeder tray opened.

The broken lines depict environmental subject matter only and form no part of the claimed design.

**1 Claim, 8 Drawing Sheets**

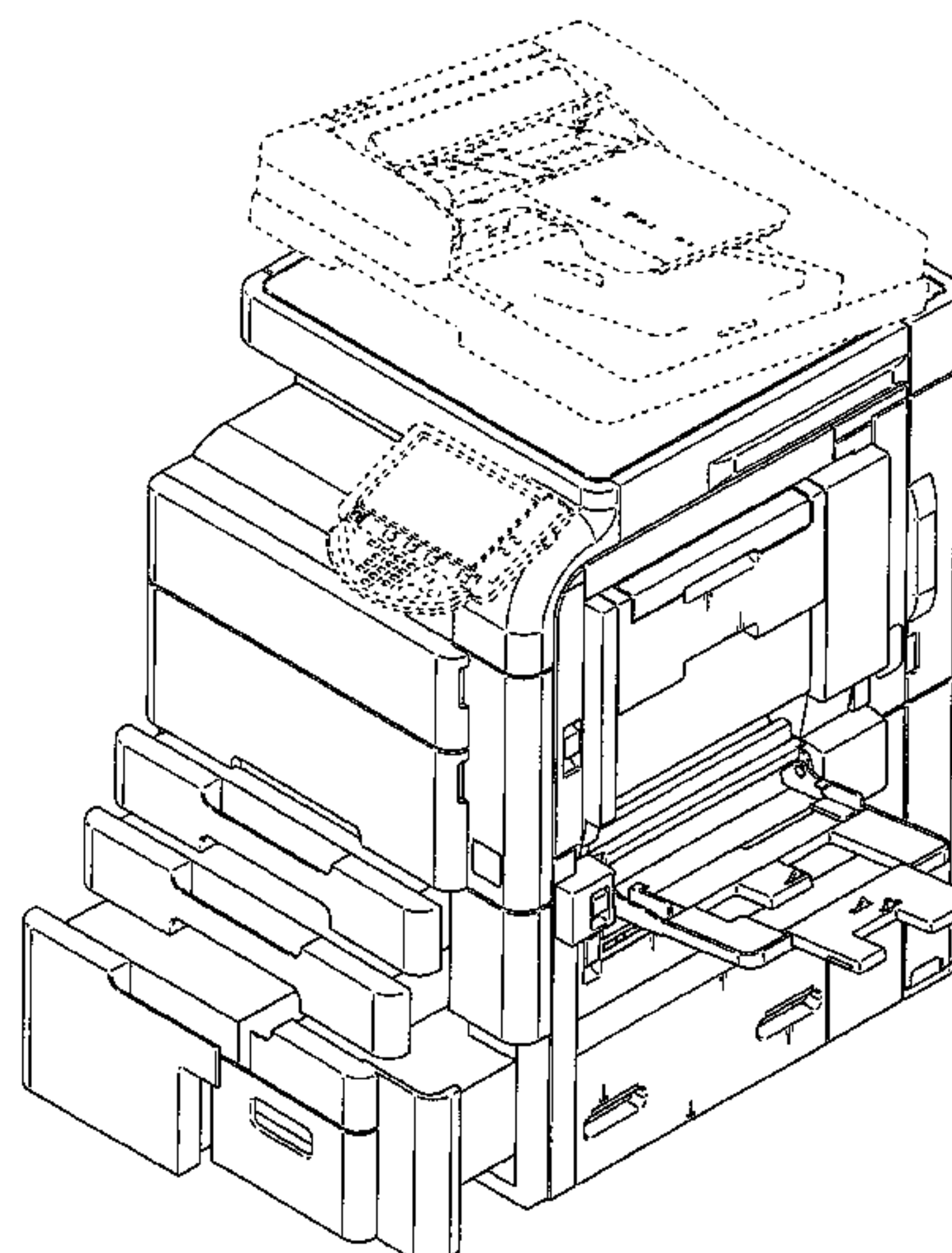
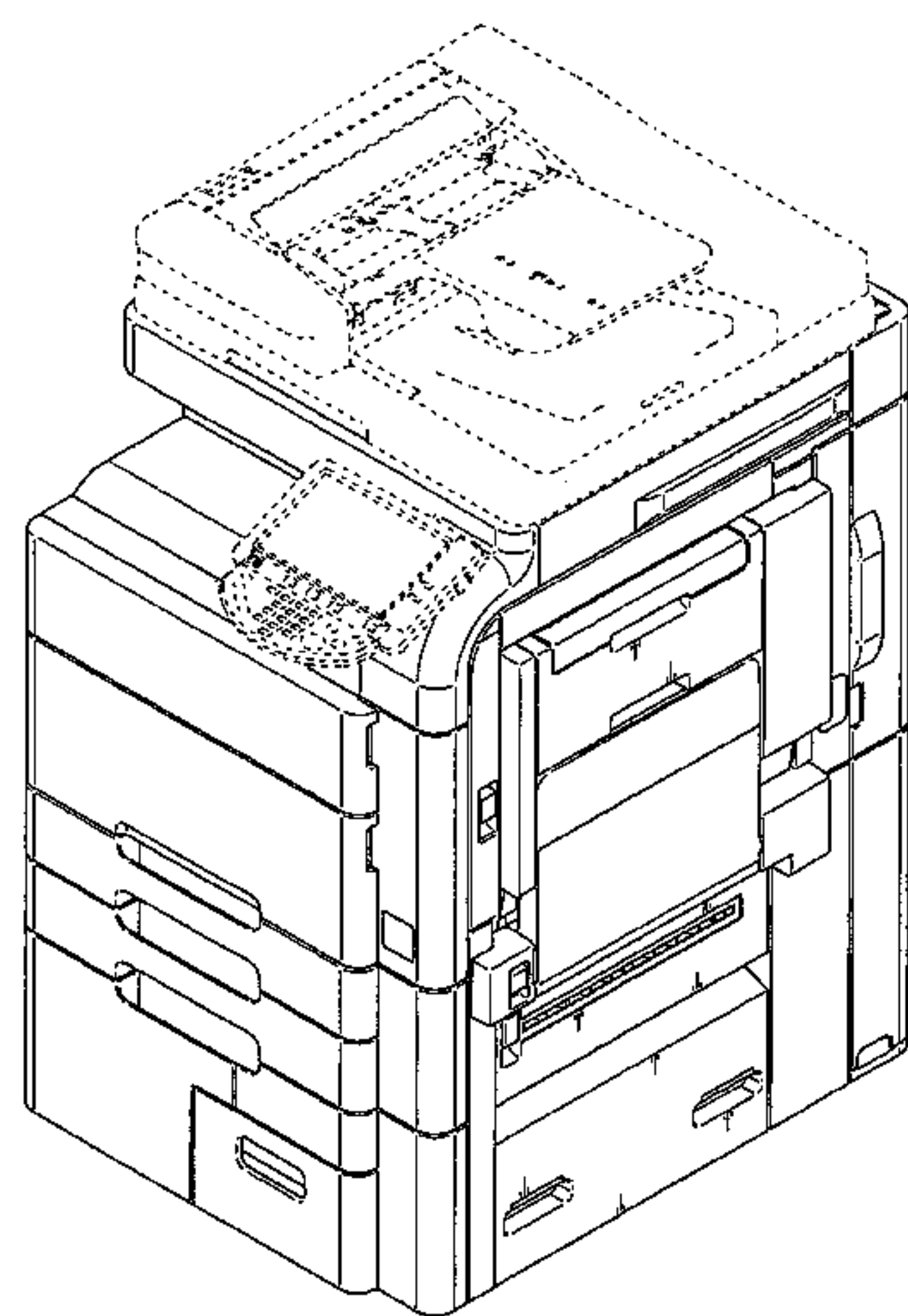


FIG. 1

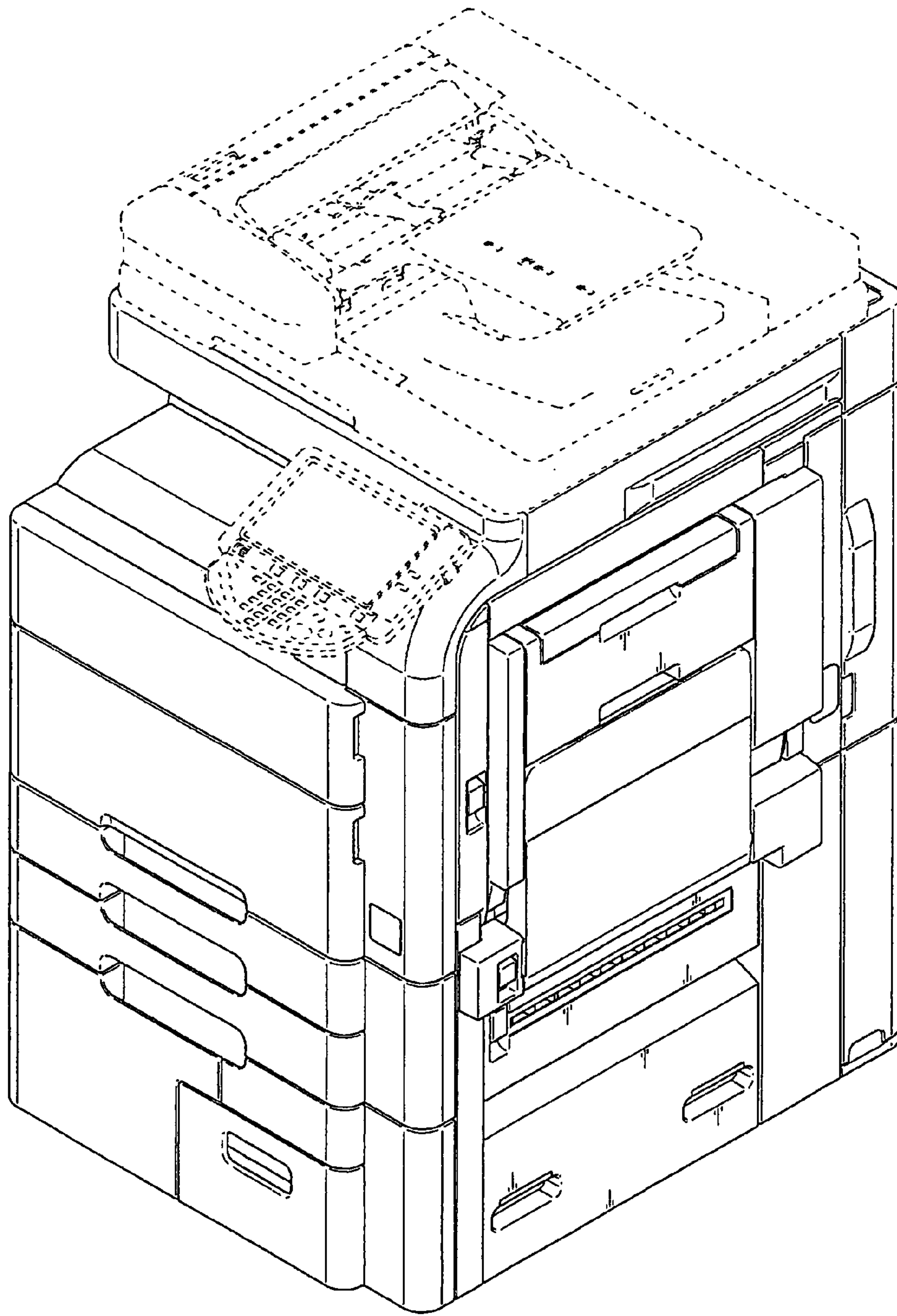
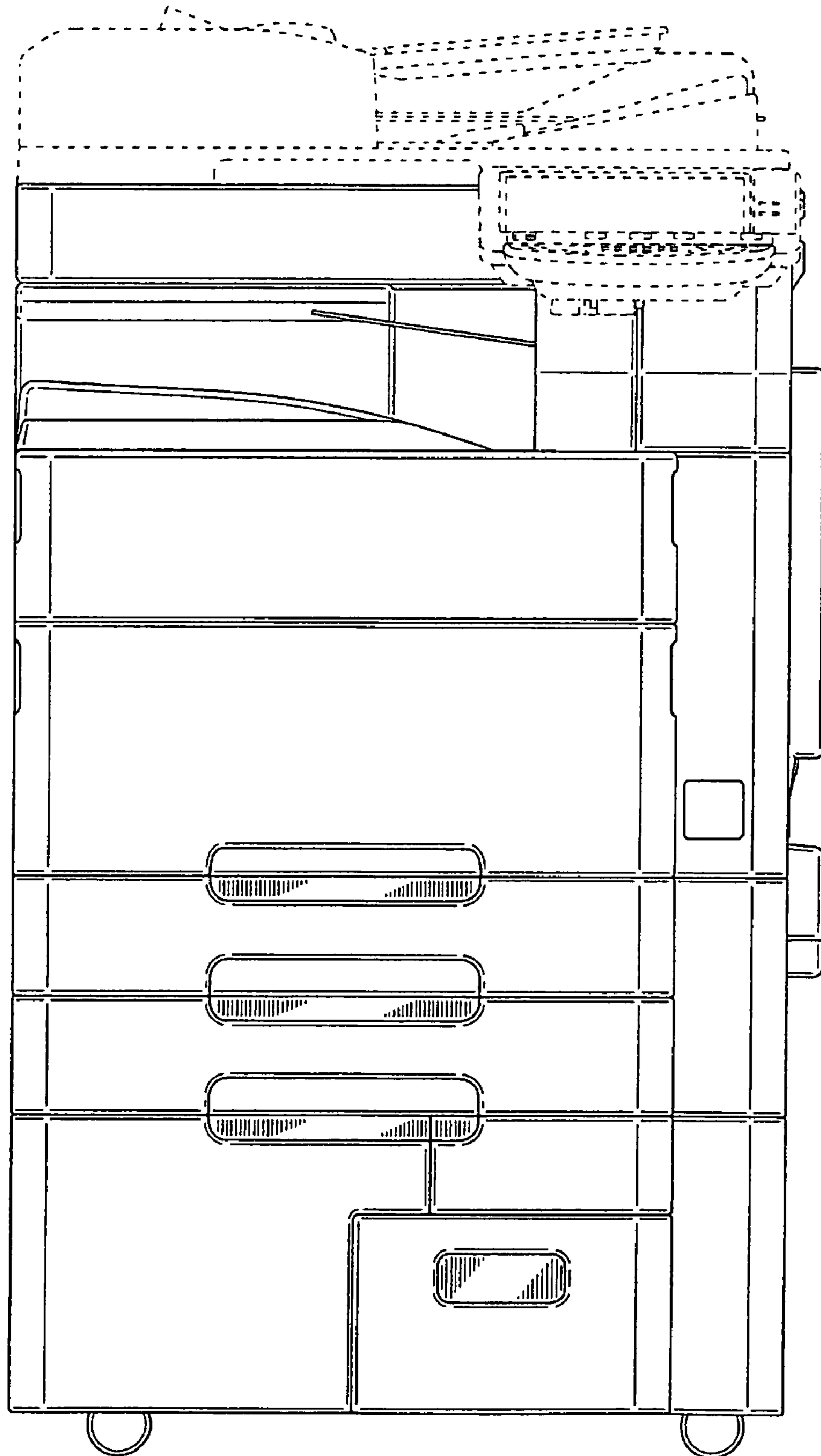


FIG. 2



**FIG. 3**

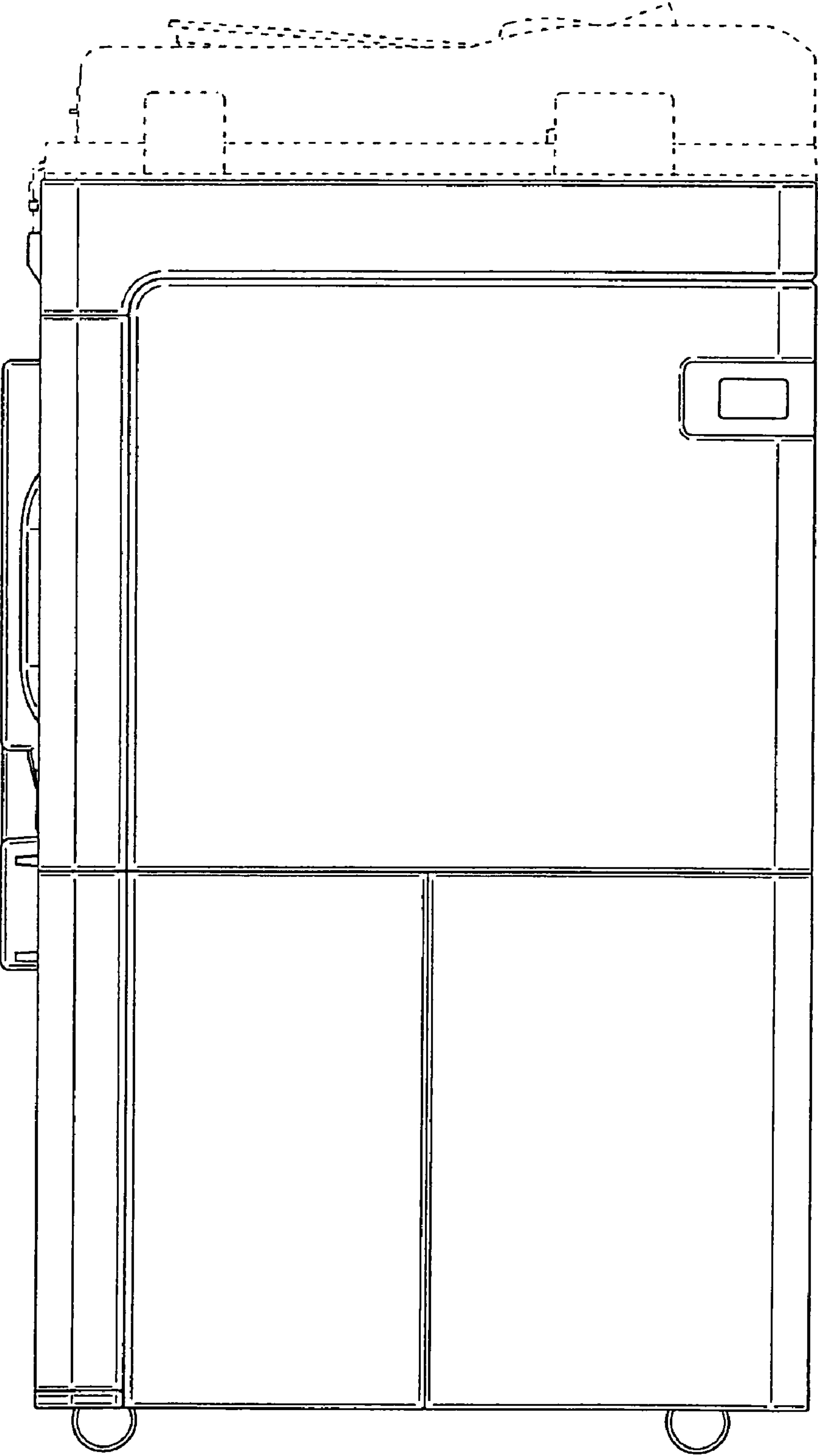
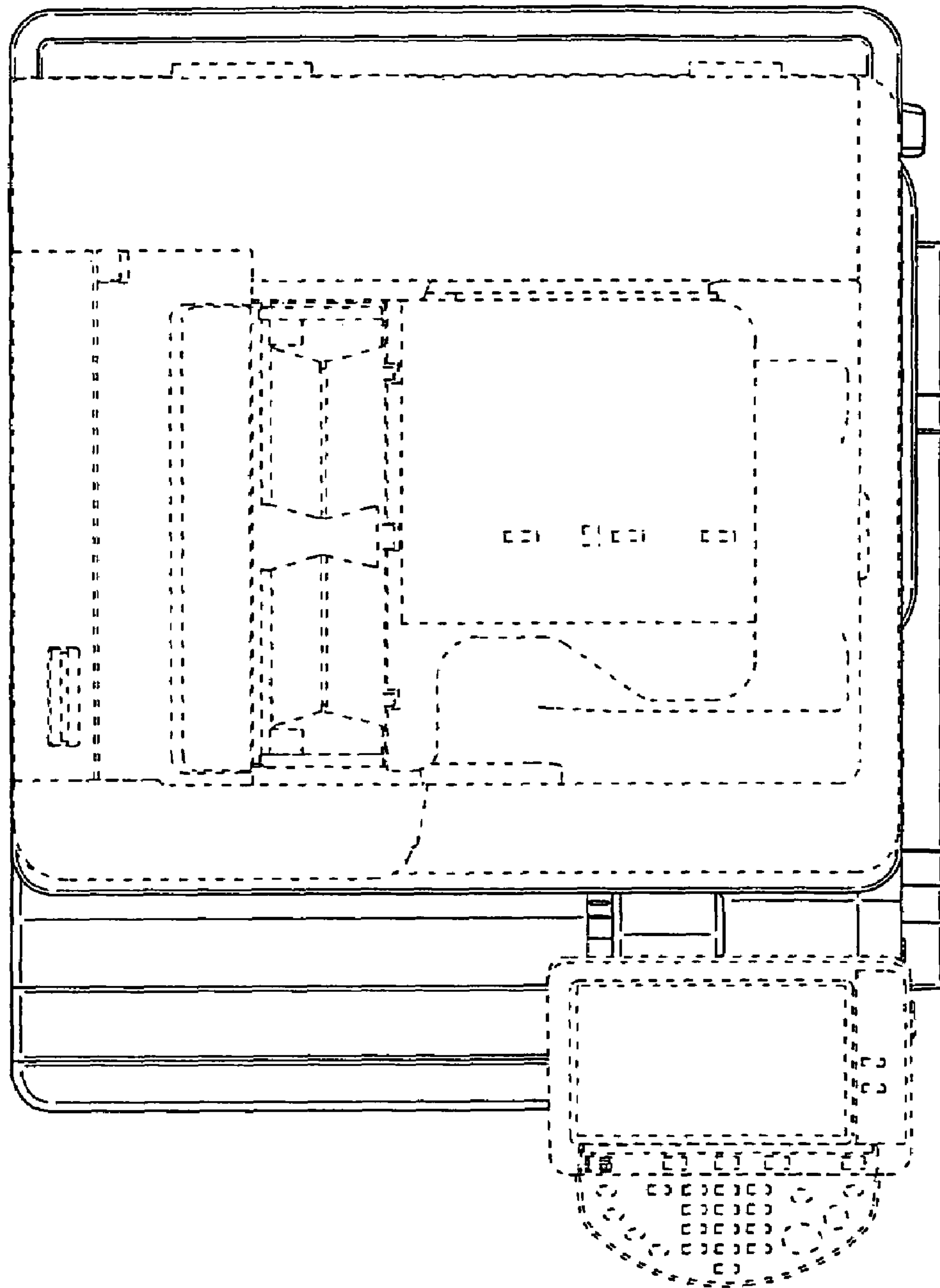




FIG. 4



**FIG. 5**

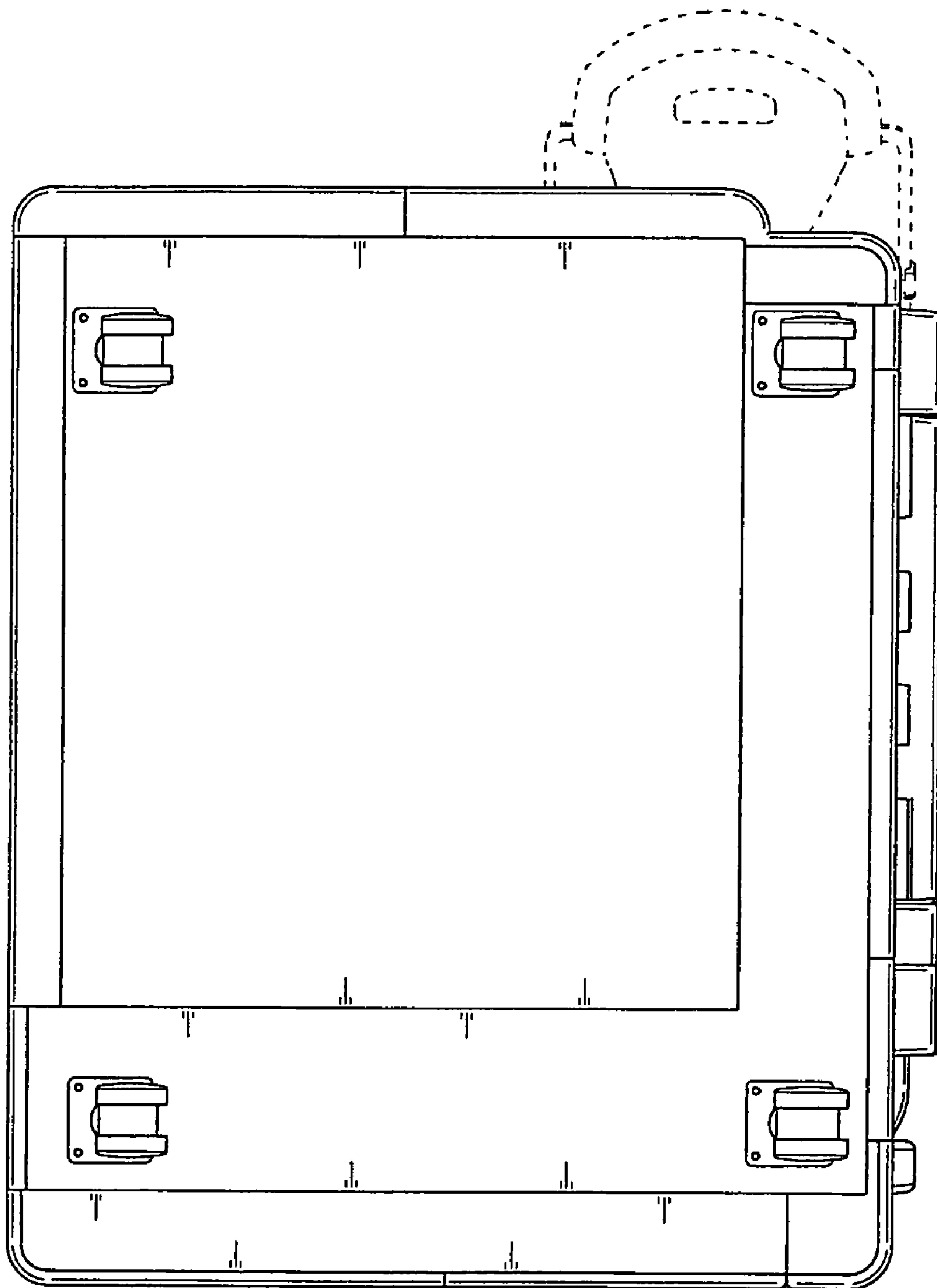


FIG. 6

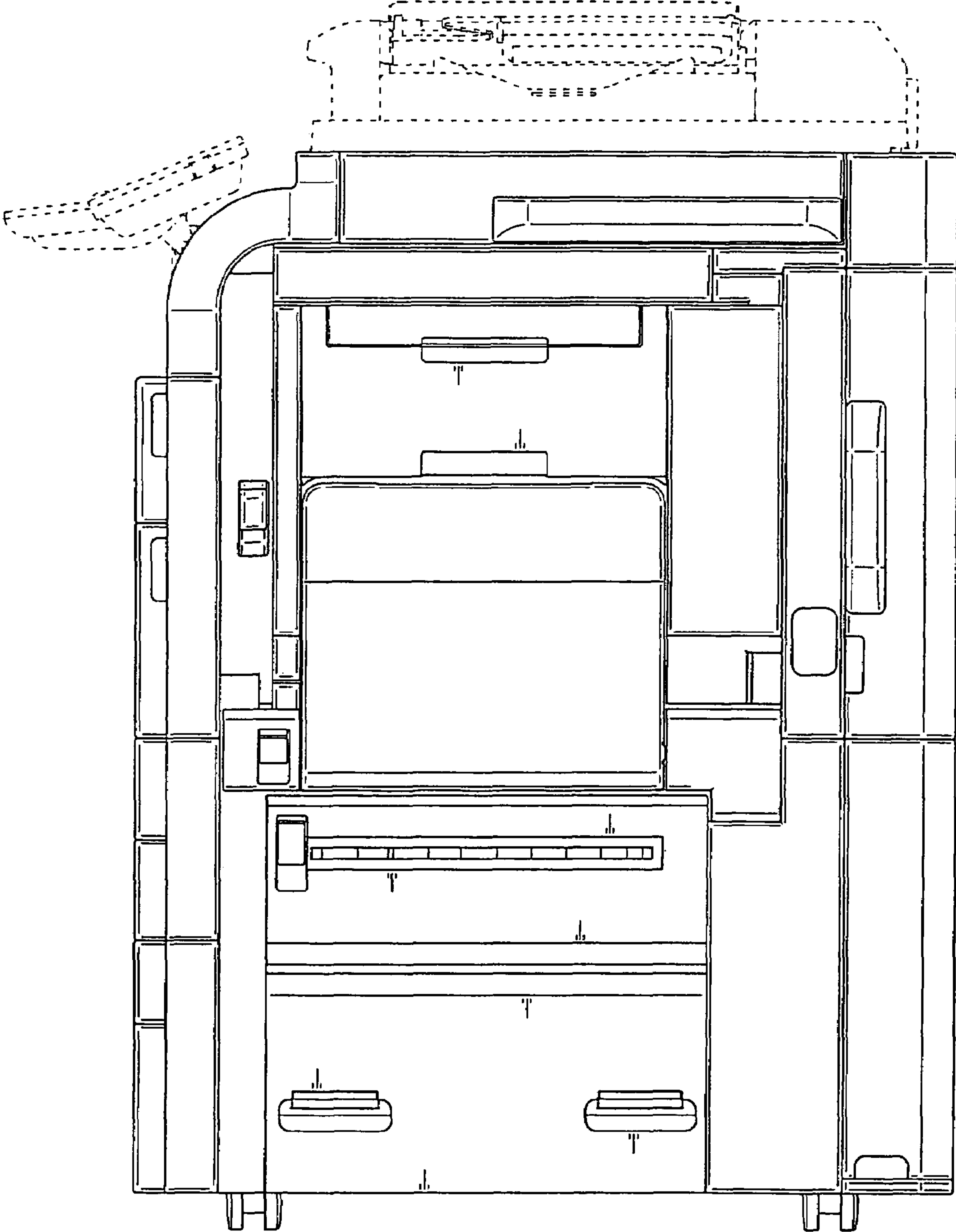


FIG. 7

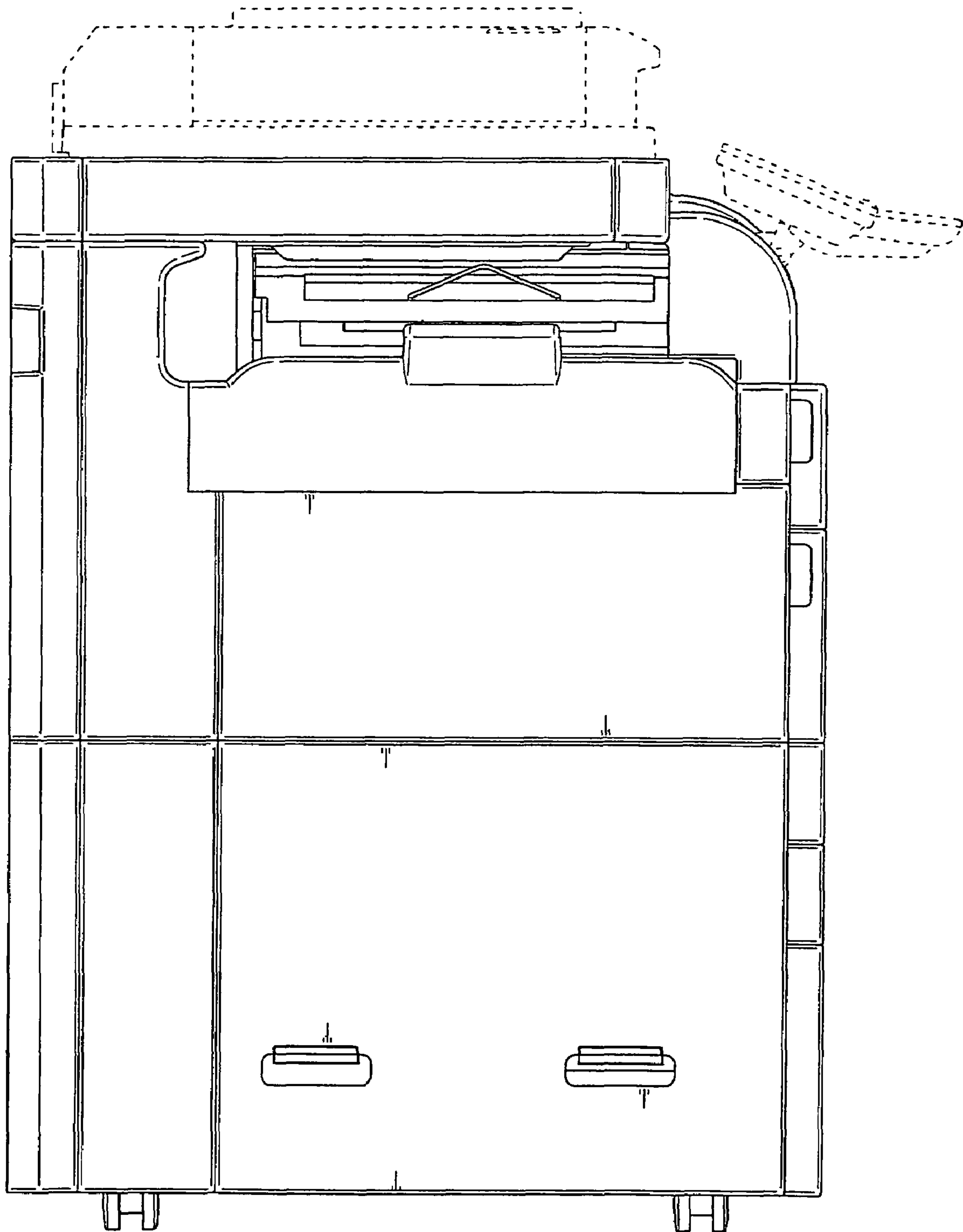




FIG. 8

