



US00D576664S

(12) **United States Design Patent**  
**Tsai**

(10) **Patent No.:** **US D576,664 S**  
(45) **Date of Patent:** **\*\* Sep. 9, 2008**

(54) **MUSICAL INSTRUMENT**

(75) Inventor: **Chang-Shou Tsai**, Hsinchu Hsien (TW)

(73) Assignee: **AKT International Co., Ltd.**,  
Sheungwan (HK)

(\*\*) Term: **14 Years**

(21) Appl. No.: **29/299,979**

(22) Filed: **Jan. 8, 2008**

(51) **LOC (8) Cl.** ..... **17-03**

(52) **U.S. Cl.** ..... **D17/17**

(58) **Field of Classification Search** ..... D17/14,  
D17/17-20; 84/7, 9, 173, 267, 268, 274,  
84/275, 284, 285, 290-293, 314  
See application file for complete search history.

(56) **References Cited**

**U.S. PATENT DOCUMENTS**

405,816	A *	6/1889	Whie	84/304
3,084,586	A *	4/1963	Westlake	84/275
3,489,051	A *	1/1970	Weiss	84/311
3,552,255	A *	1/1971	Kaston	84/310
4,238,986	A *	12/1980	Twiford	84/309
4,408,516	A *	10/1983	John	84/275
4,679,481	A *	7/1987	Lozon	84/309

4,809,579	A *	3/1989	Maccaferri	84/293
4,836,077	A *	6/1989	Hogue	84/293
5,396,822	A *	3/1995	Itokawa	84/291
6,703,545	B2 *	3/2004	McFerson	84/274
6,803,510	B2 *	10/2004	Van Dusen	84/307

\* cited by examiner

*Primary Examiner*—Ian Simmons

*Assistant Examiner*—Rashida Johnson

(74) *Attorney, Agent, or Firm*—Sheridan Ross PC

(57) **CLAIM**

The ornamental design for musical instrument, as shown and described.

**DESCRIPTION**

FIG. 1 is a perspective view of musical instrument showing my new design;

FIG. 2 is a front elevational view thereof;

FIG. 3 is a rear elevational view thereof;

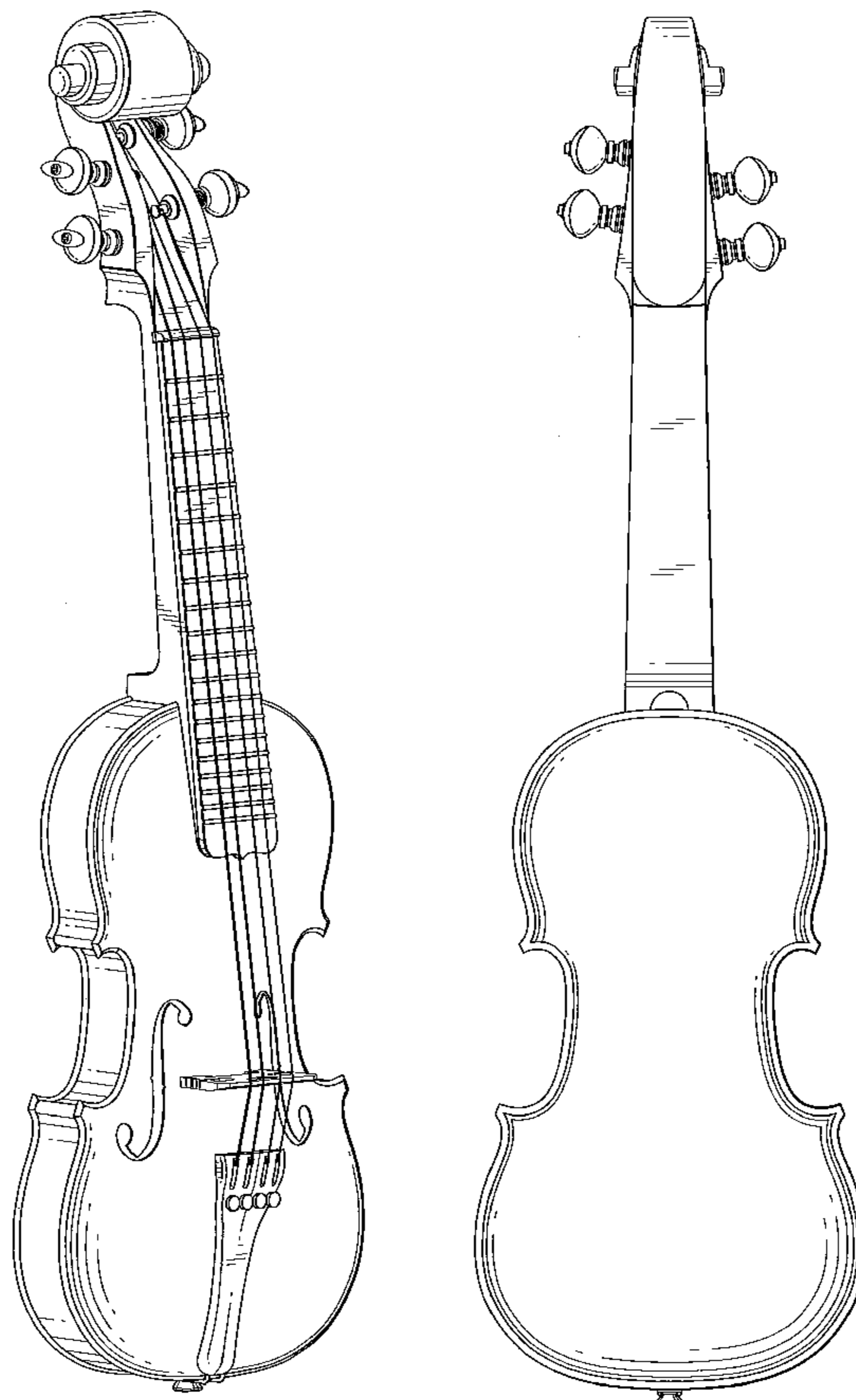
FIG. 4 is a left side elevational view thereof;

FIG. 5 is a right side elevational view thereof;

FIG. 6 is a top plan view thereof; and,

FIG. 7 is a bottom plan view thereof.

**1 Claim, 6 Drawing Sheets**



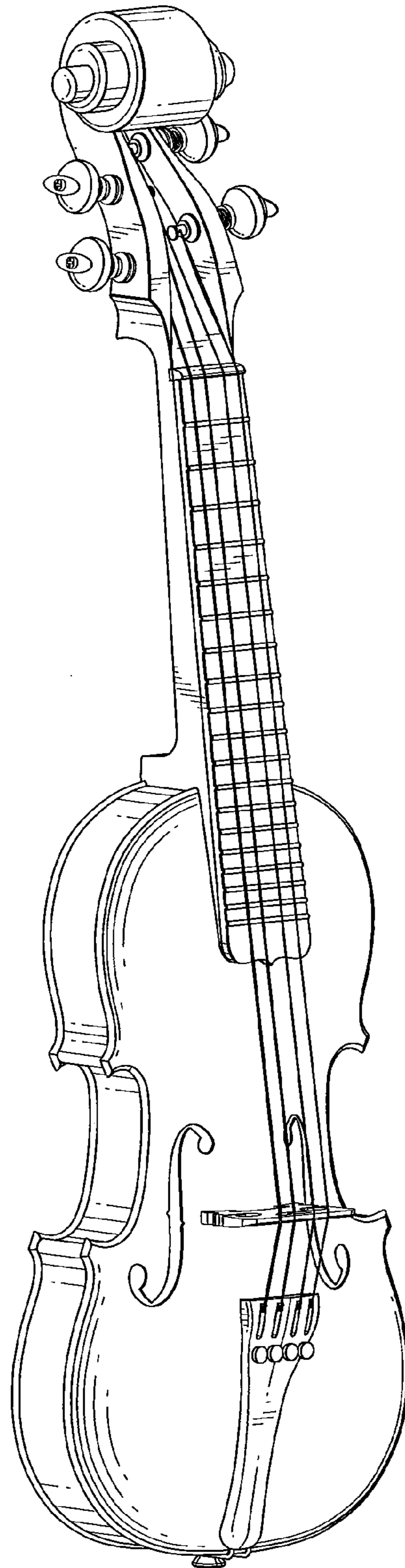


FIG. 1

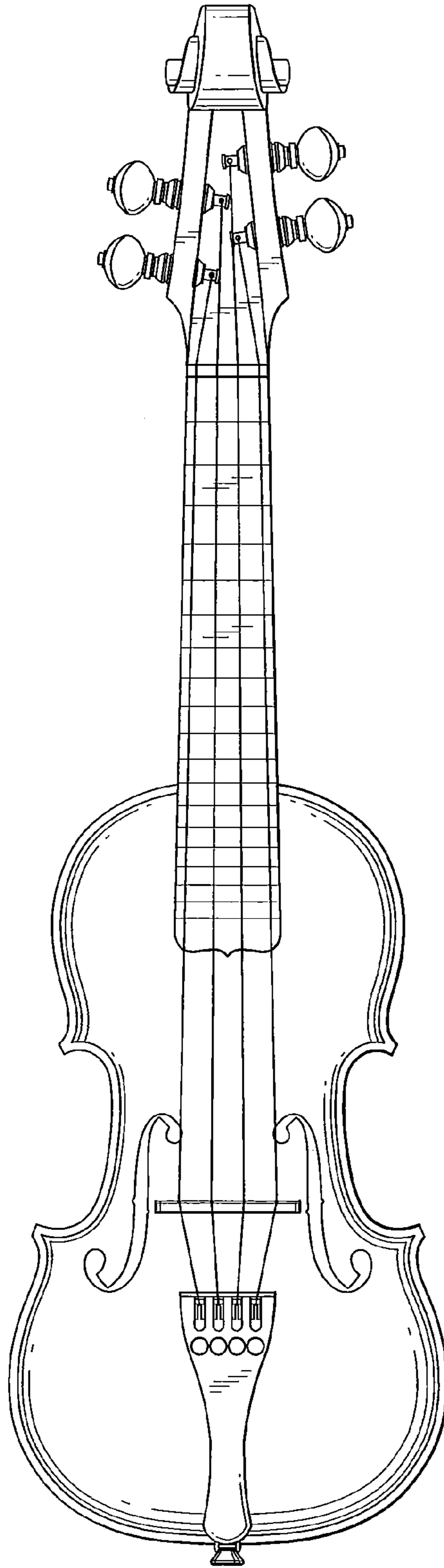


FIG. 2

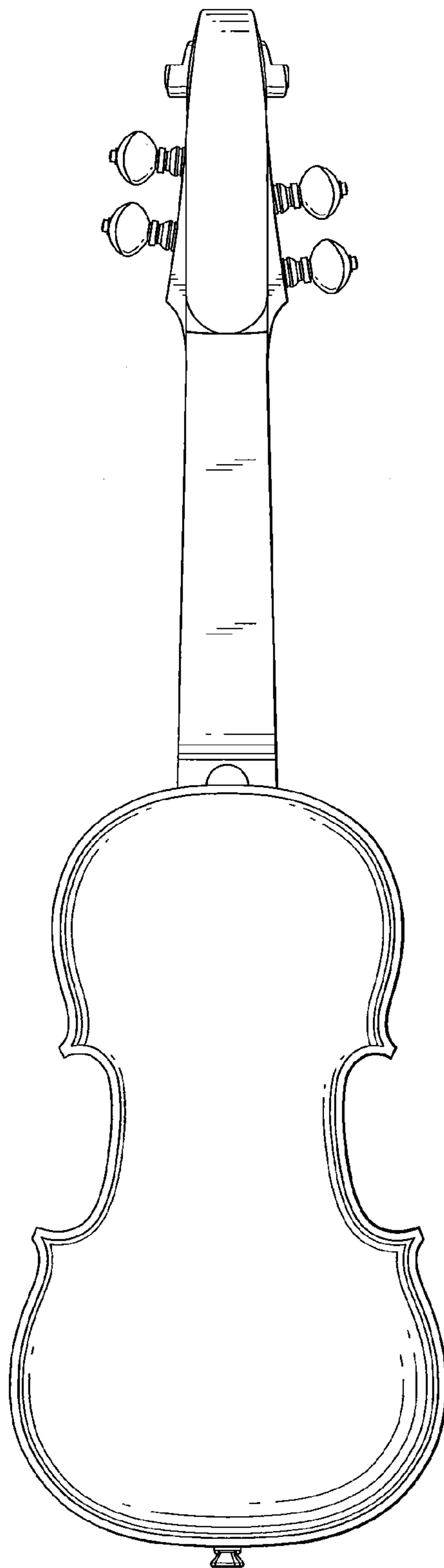


FIG. 3

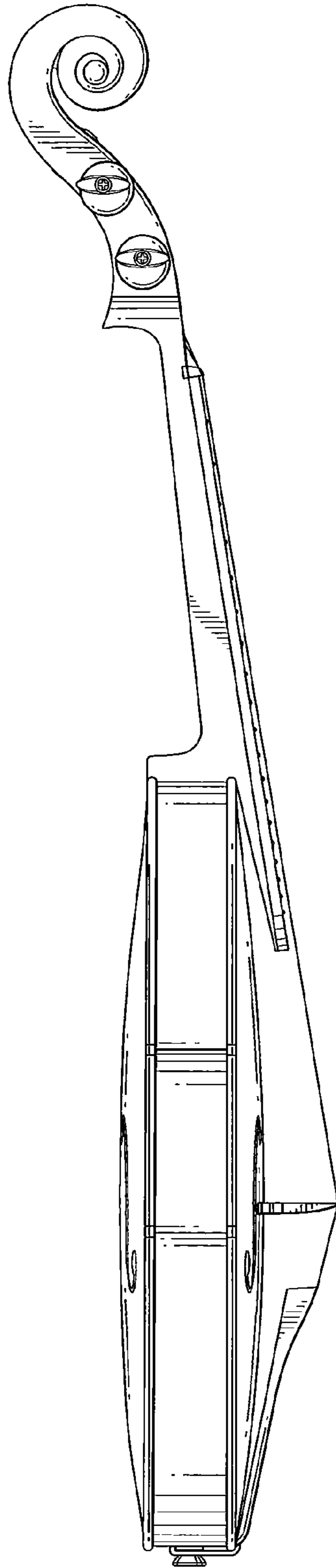


FIG. 4

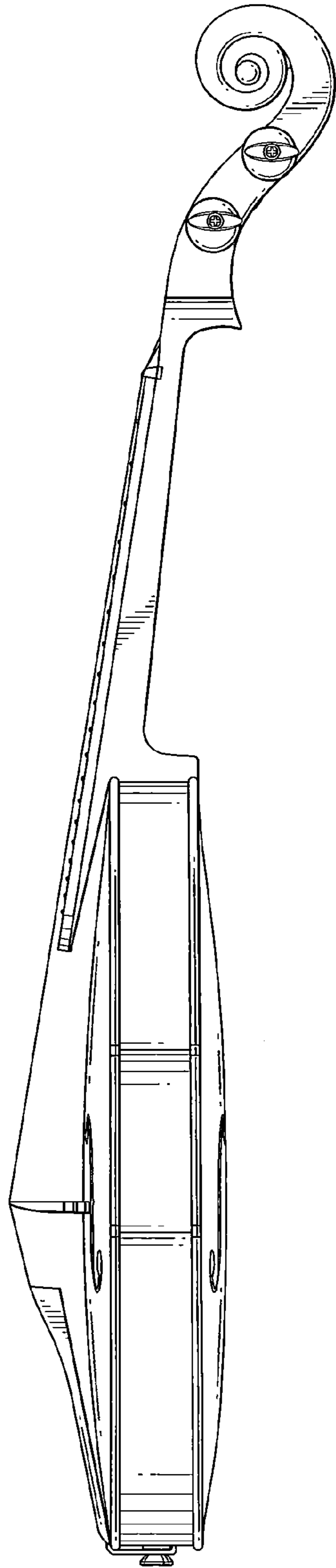


FIG. 5

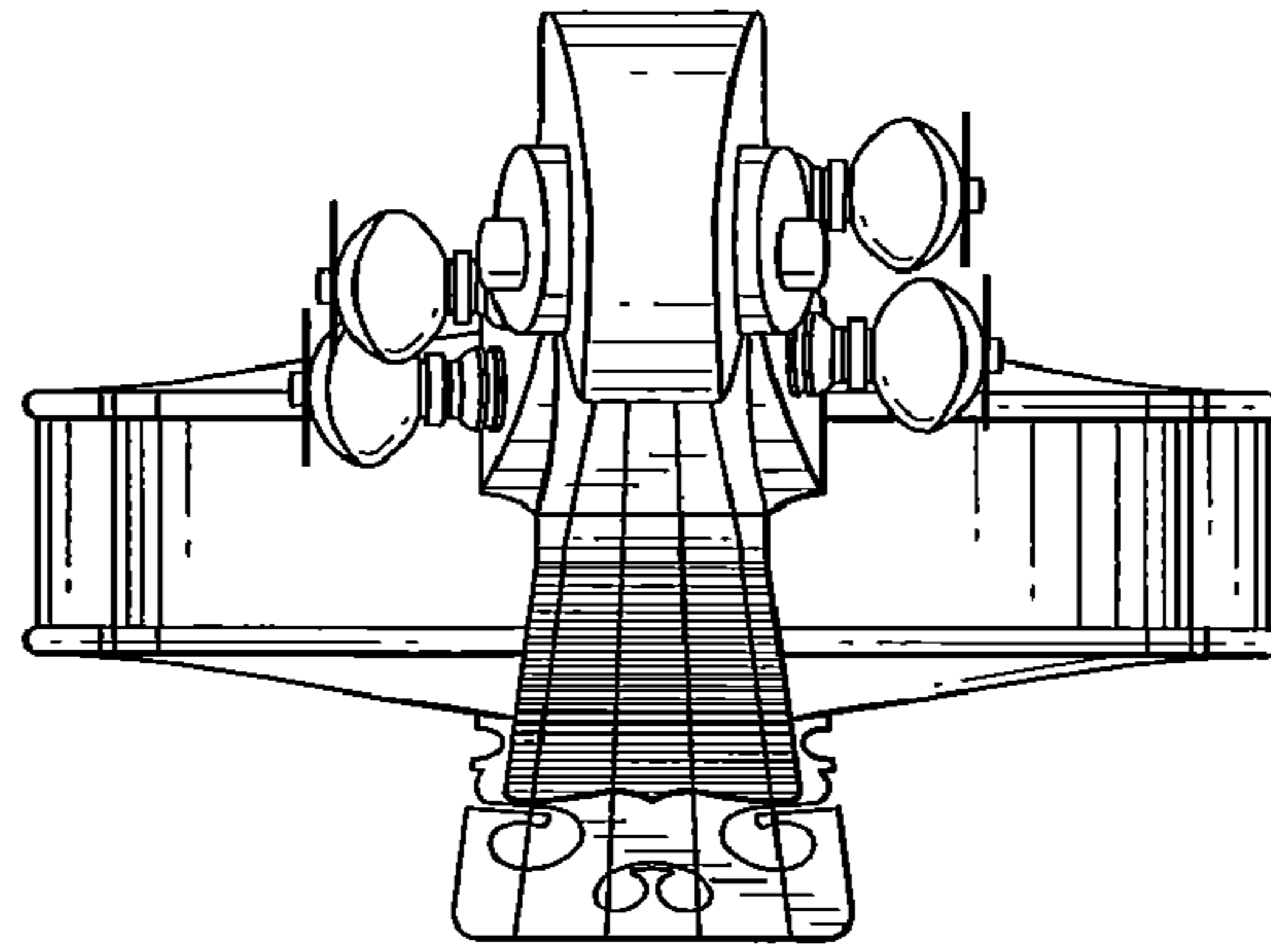


FIG. 6

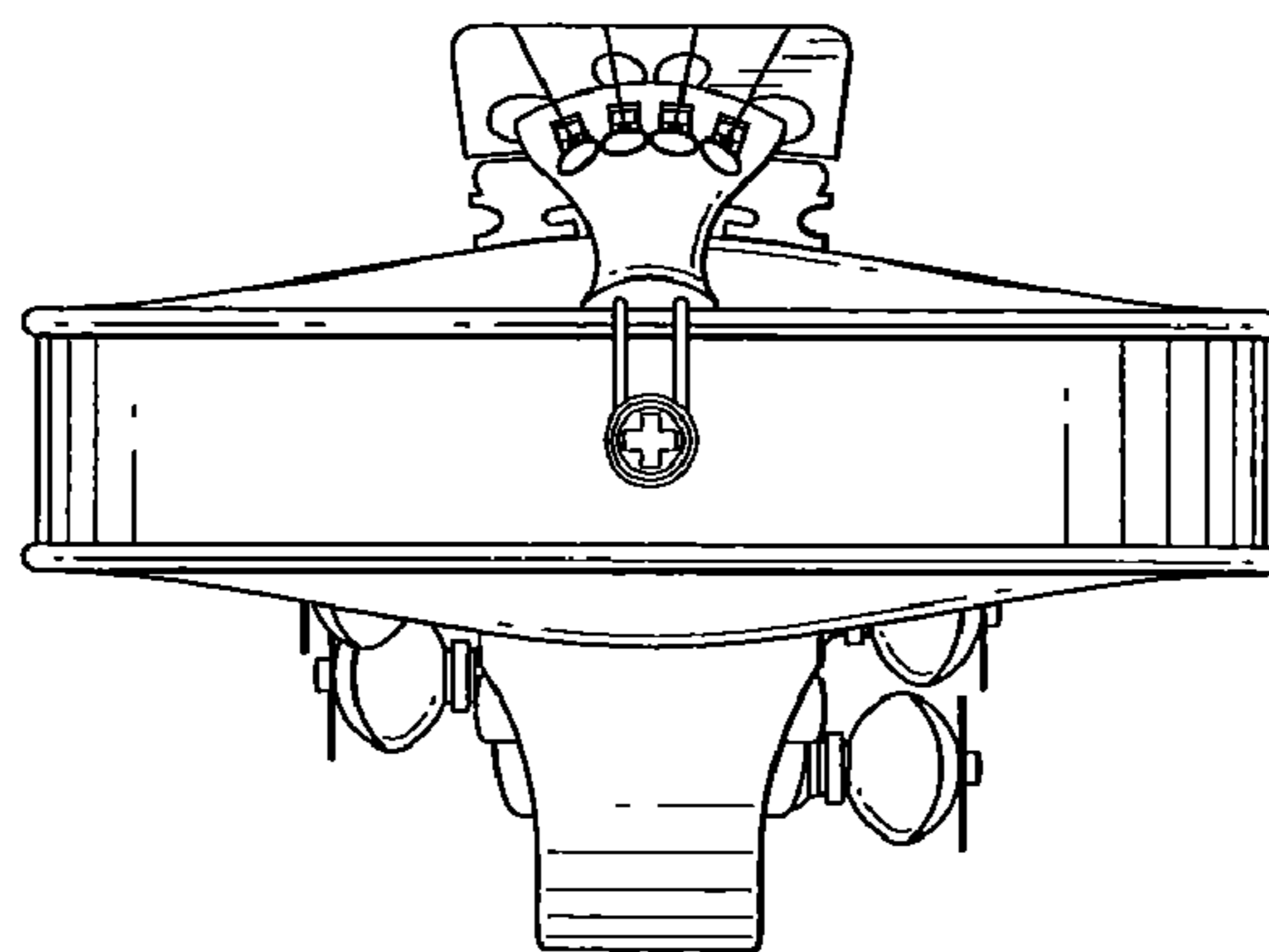


FIG. 7