



US00D576658S

(12) **United States Design Patent**
Speggiorin

(10) **Patent No.:** **US D576,658 S**

(45) **Date of Patent:** **** Sep. 9, 2008**

(54) **SUPPORT HEAD FOR OPTICAL AND PHOTOGRAPHIC EQUIPMENTS**

(75) Inventor: **Paolo Speggiorin**, Mussolente (IT)

(73) Assignee: **Lino Manfrotto & Co. S.p.A.**, Bassano Del Grappa (IT)

(**) Term: **14 Years**

(21) Appl. No.: **29/245,238**

(22) Filed: **Dec. 21, 2005**

(30) **Foreign Application Priority Data**

Jun. 21, 2005 (EM) 000358841

(51) **LOC (8) Cl.** **16-05**

(52) **U.S. Cl.** **D16/242; D16/245**

(58) **Field of Classification Search** D16/237, D16/242-245, 211; 224/908; 352/243; 396/419-420, 396/428, 535-541, 427; 248/176.1, 373, 248/177.1, 178.1, 187.1, 183.1, 183.2, 563, 248/695, 186.2; 348/373; D24/115
See application file for complete search history.

(56) **References Cited**

U.S. PATENT DOCUMENTS

896,013	A *	8/1908	Hatt	396/544
D152,477	S	7/1949	Huszagh		
2,496,630	A *	2/1950	Land	396/535
D160,136	S	9/1950	Welt		
2,717,138	A	9/1955	Sheehan		
D194,078	S *	11/1962	Takats	D16/211
3,782,671	A *	1/1974	Igwe	248/187.1
4,326,688	A	4/1982	Posso		
D292,982	S *	12/1987	Nakatani	D16/245
4,979,709	A *	12/1990	Ishikawa	248/187.1
D327,084	S *	6/1992	Miyauchi	D16/245

D327,085	S	6/1992	Miyauchi		
D366,887	S *	2/1996	Wood	D16/242
D382,288	S *	8/1997	Usui	D16/245
D467,605	S *	12/2002	Dordick	D16/242
6,513,784	B2 *	2/2003	Lindsay	248/178.1
6,827,319	B2 *	12/2004	Mayr	248/187.1
D515,614	S *	2/2006	Speggiorin	D16/243
D525,642	S *	7/2006	Yamaguchi	D16/245
D532,813	S *	11/2006	Speggiorin	D16/243
7,180,547	B2 *	2/2007	Wei	348/375
D537,859	S *	3/2007	Speggiorin	D16/245
2002/0125399	A1 *	9/2002	Lindsay	248/563
2004/0263679	A1 *	12/2004	Wei	348/373

* cited by examiner

Primary Examiner—Ian Simmons

Assistant Examiner—Wan Laymon

(74) *Attorney, Agent, or Firm*—RatnerPrestia

(57) **CLAIM**

The ornamental design for a support head for optical and photographic equipments, as shown and described.

DESCRIPTION

FIG. 1 is a perspective view from the top left of a support head for optical and photographic equipments;

FIG. 2 is a top plan view thereof;

FIG. 3 is a rear elevation view thereof;

FIG. 4 is a front elevation view thereof;

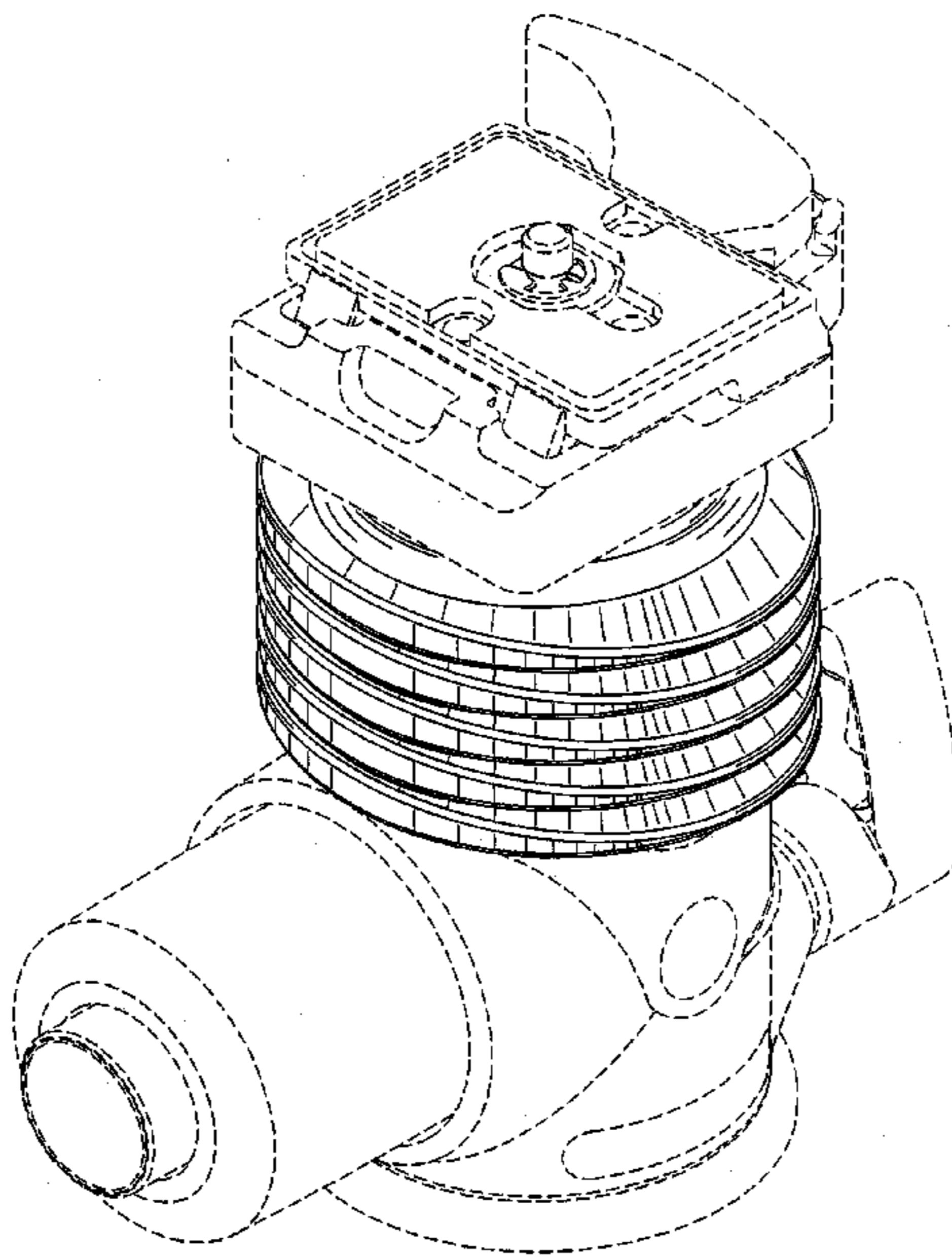
FIG. 5 is a left elevation view thereof;

FIG. 6 is a right elevation view thereof; and,

FIG. 7 is a bottom plan view thereof.

The broken lines are for illustration only and form no part of the claimed design.

1 Claim, 6 Drawing Sheets



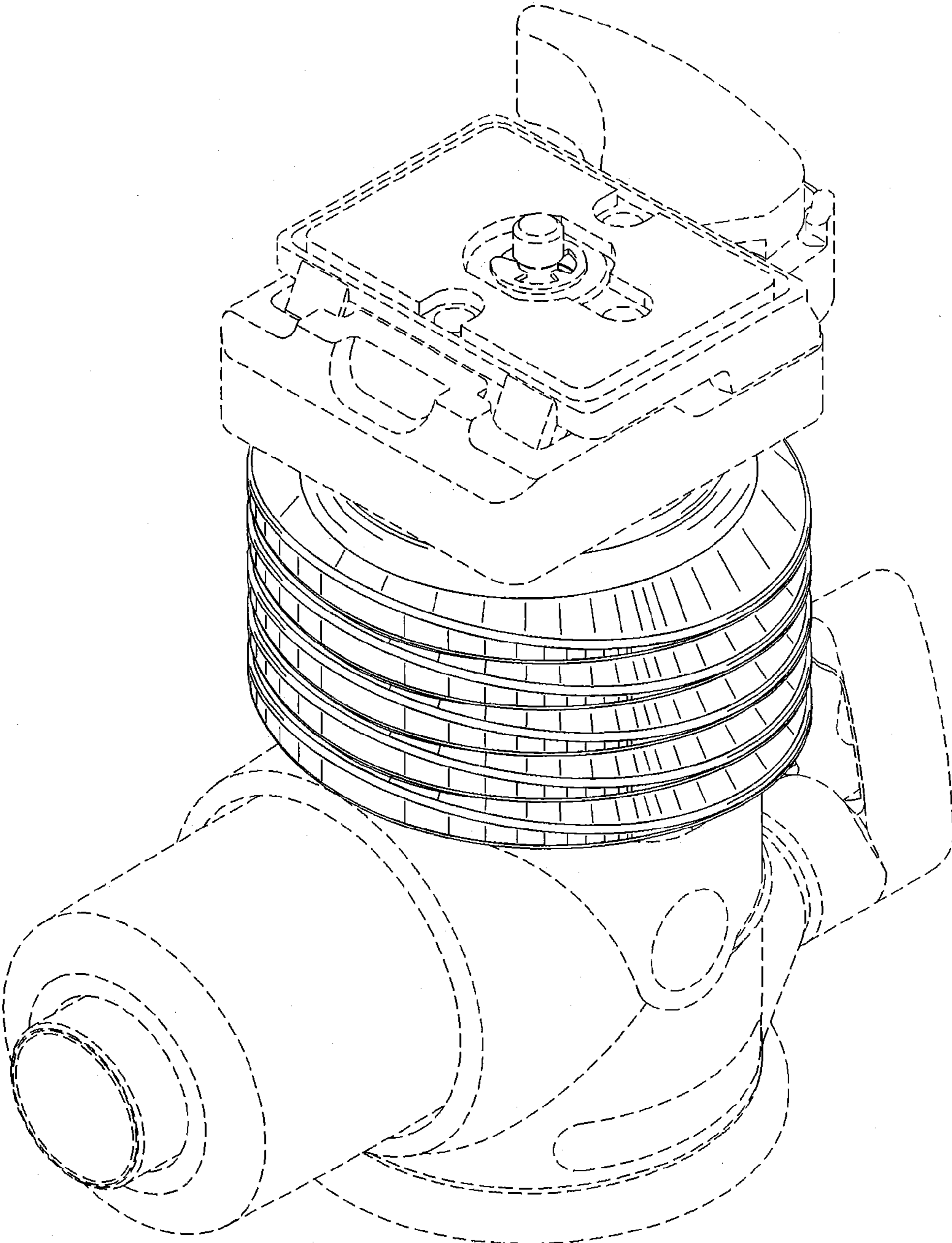


FIG. 1

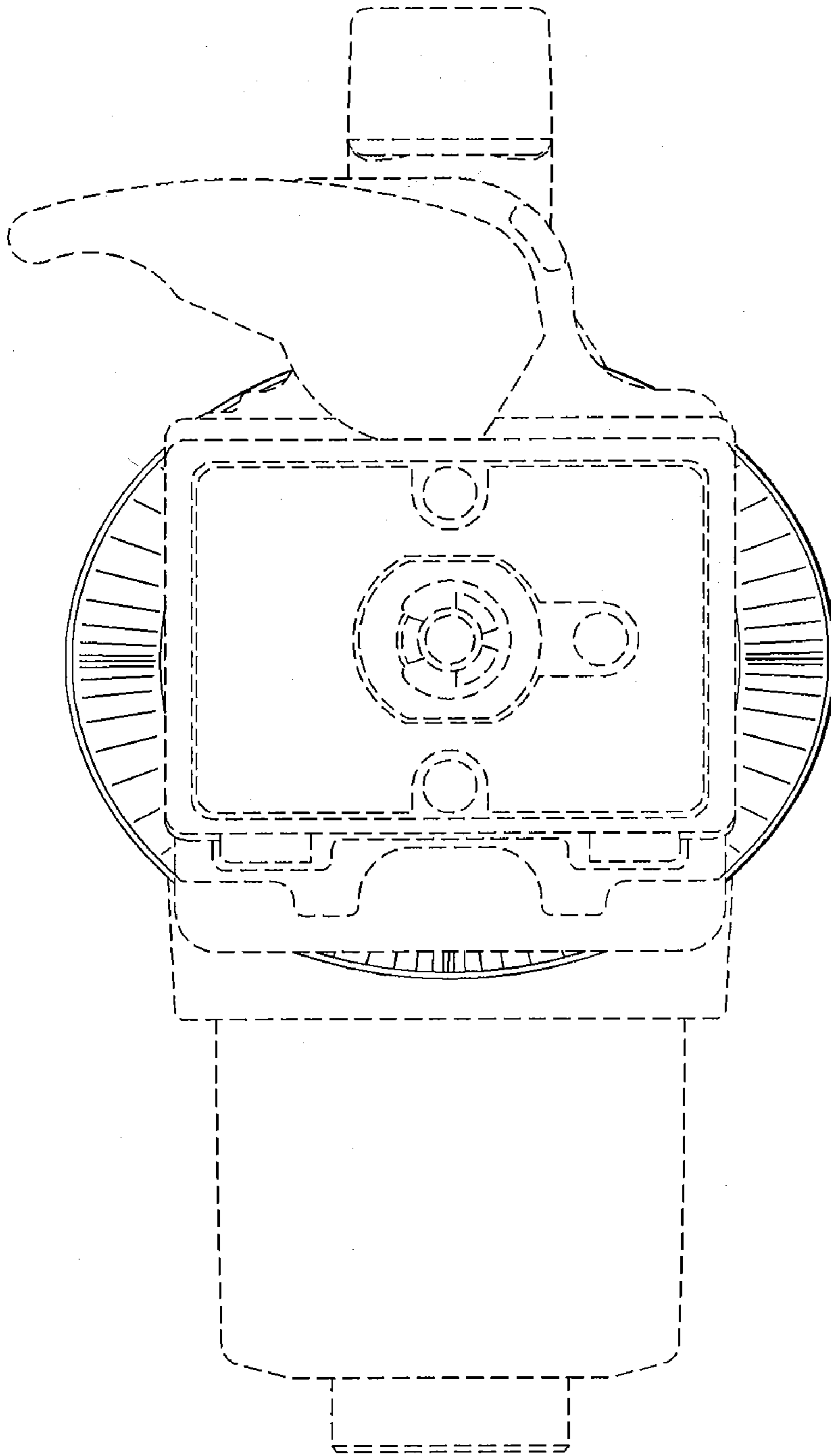


FIG. 2

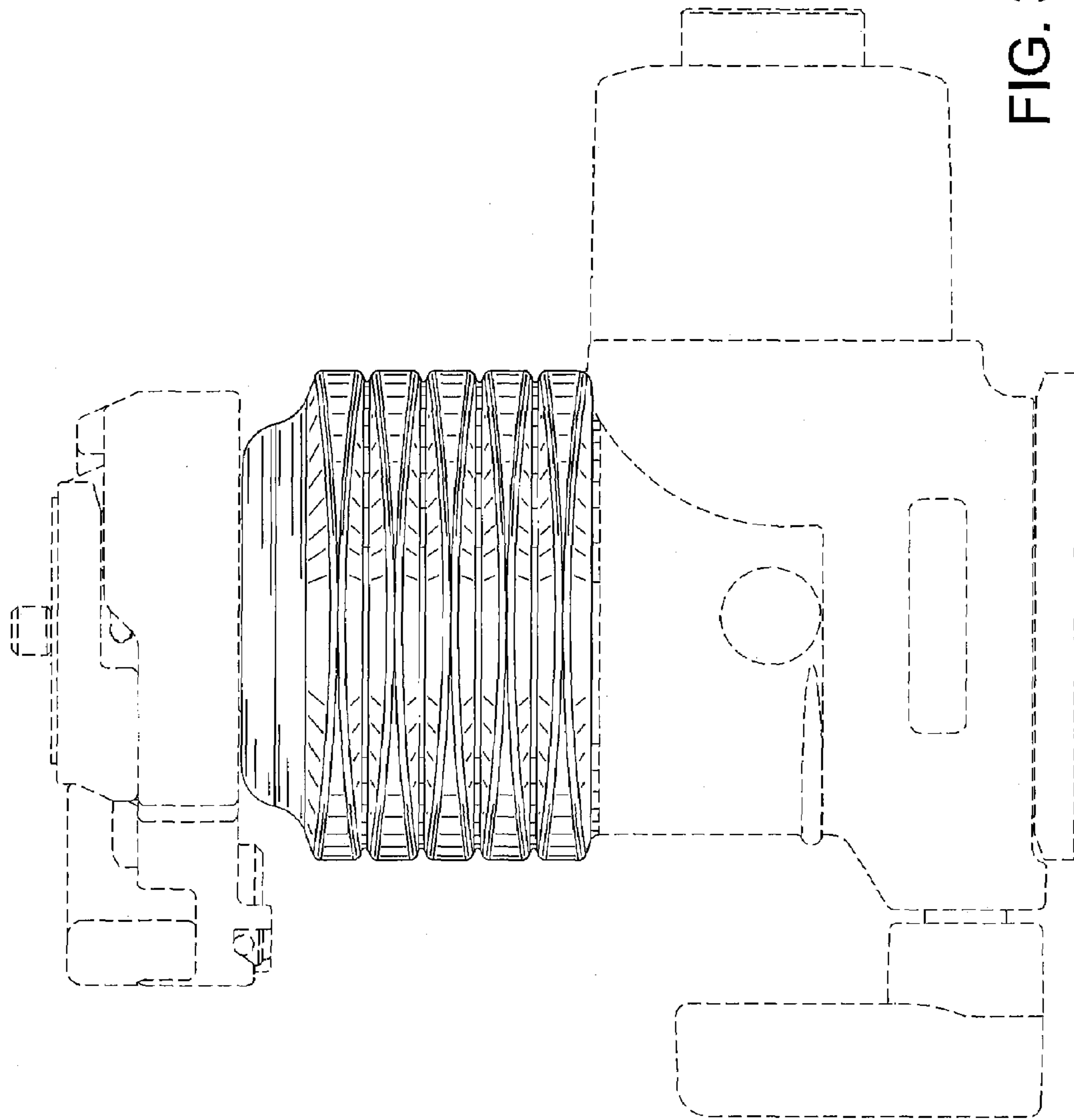


FIG. 3

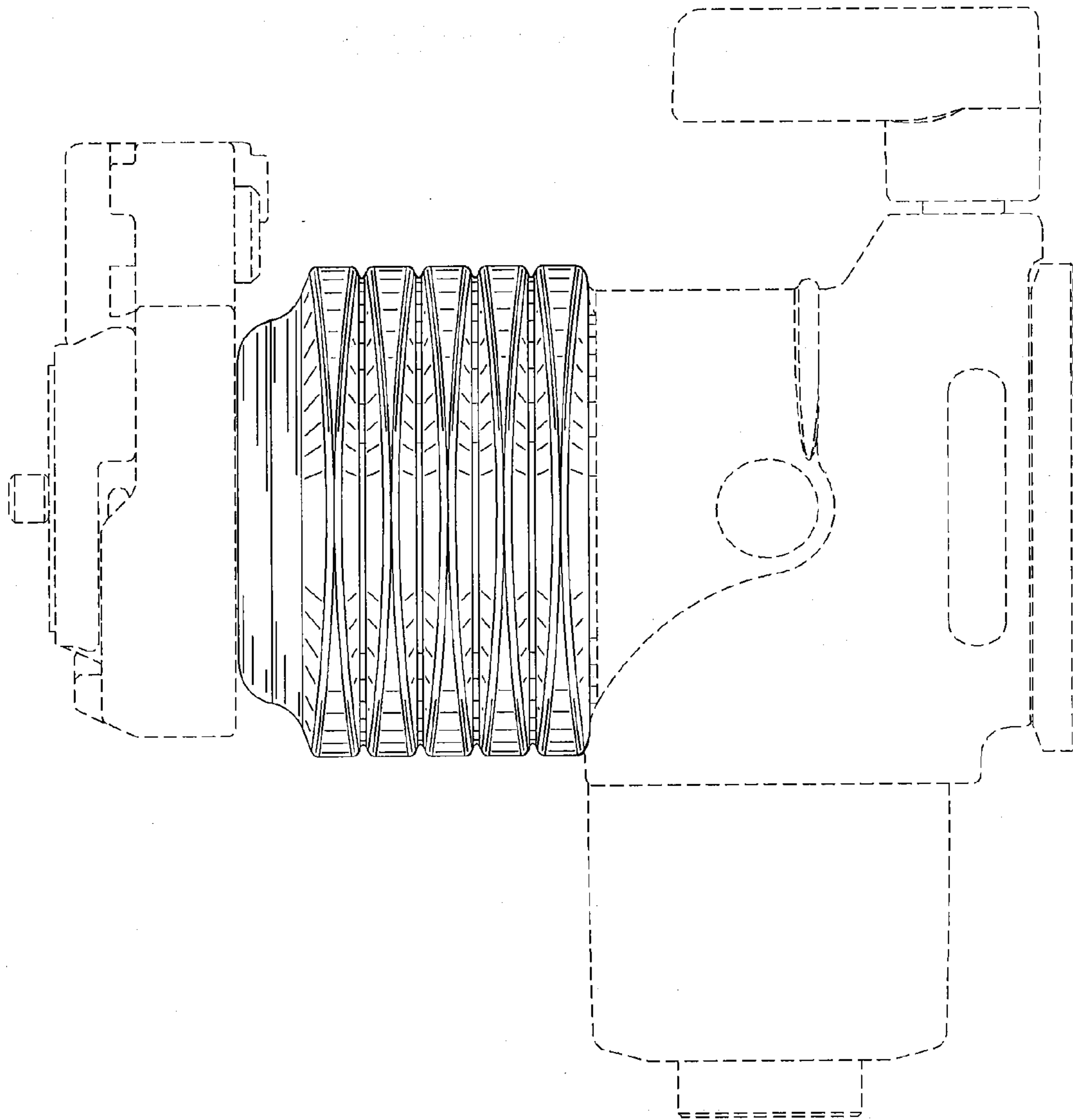


FIG. 4

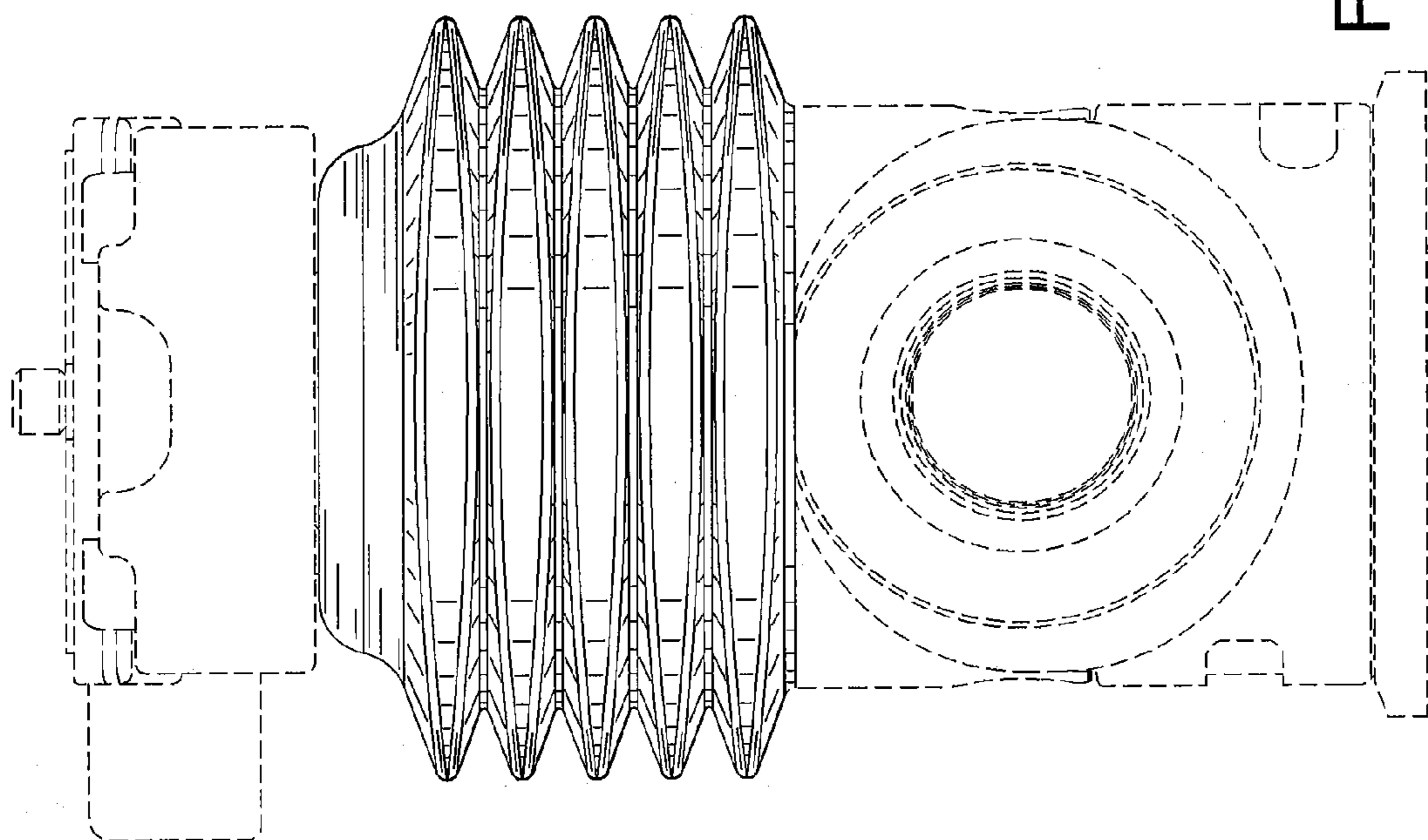


FIG. 6

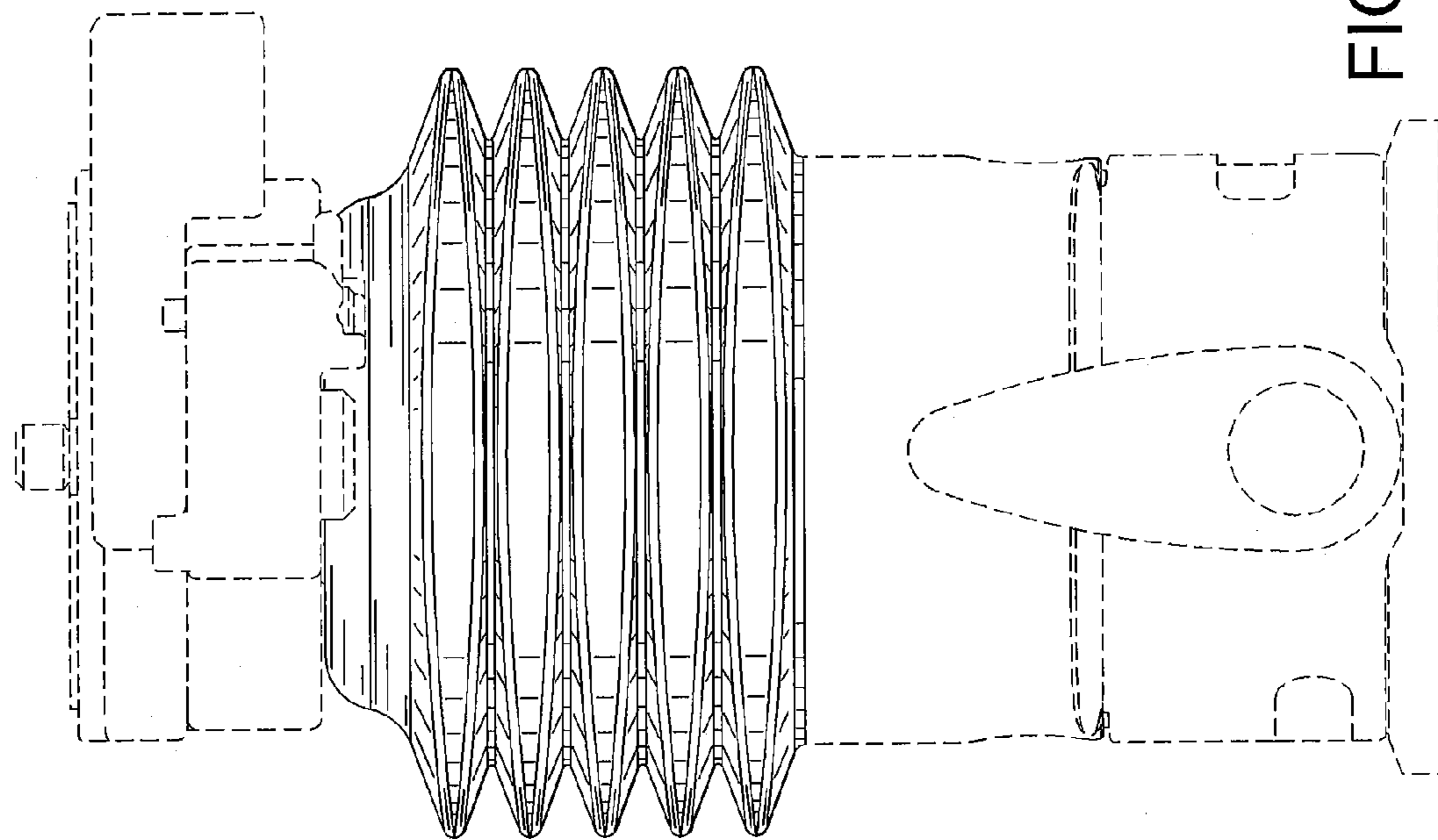


FIG. 5

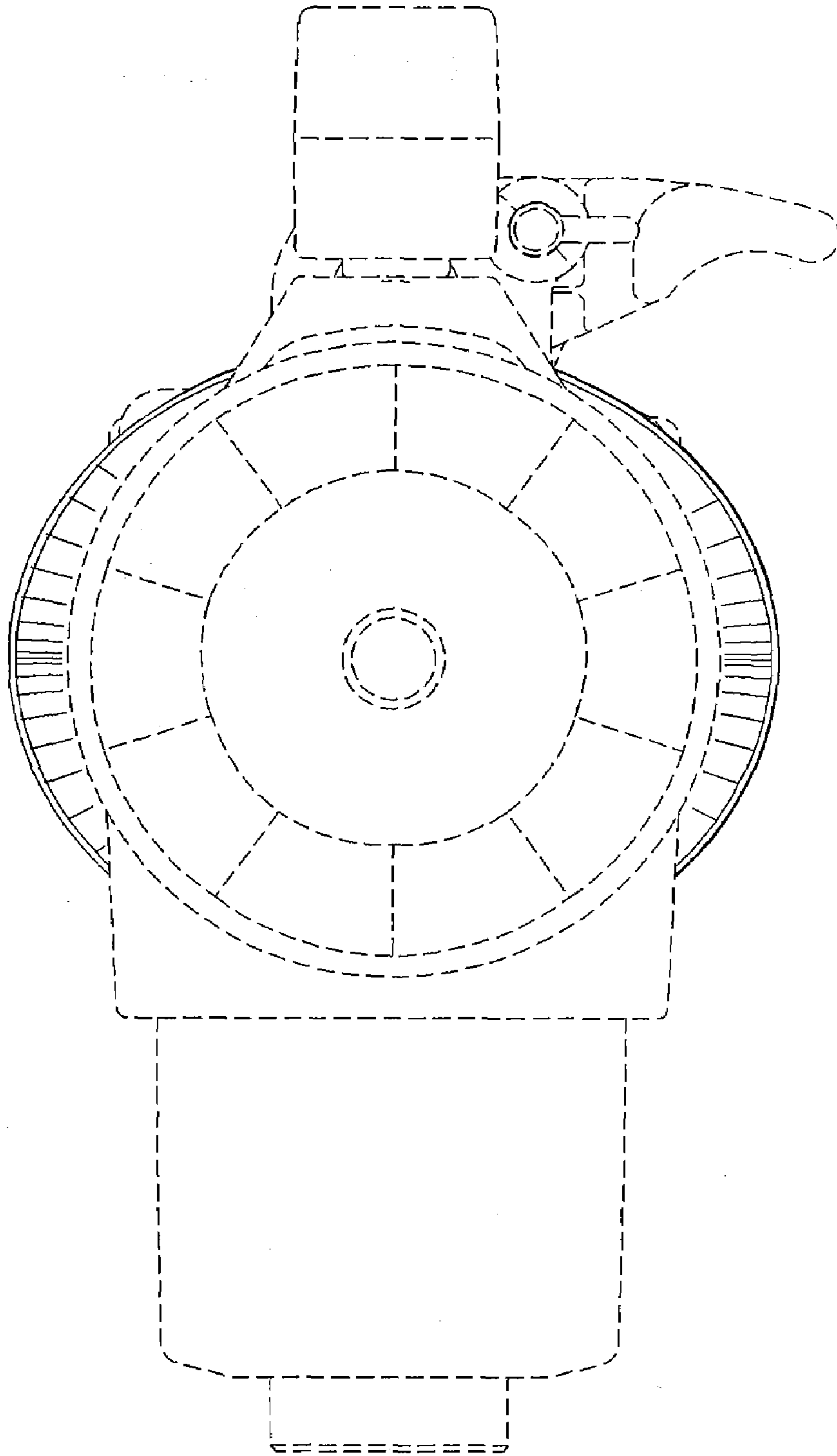


FIG. 7