



US00D576656S

(12) **United States Design Patent**
Newbould et al.

(10) **Patent No.:** **US D576,656 S**
(45) **Date of Patent:** **** Sep. 9, 2008**

(54) **PERSONAL GAMING PROJECTOR WITH
PORT FOR MPEG DEVICE**

(75) Inventors: **Peter J. Newbould**, Milan (IT); **Giorgio
Tusa**, Milan (IT)

(73) Assignee: **3M Innovative Properties Company**,
St. Paul, MN (US)

(**) Term: **14 Years**

(21) Appl. No.: **29/247,982**

(22) Filed: **Jul. 24, 2006**

(51) **LOC (8) Cl.** **16-02**

(52) **U.S. Cl.** **D16/230**

(58) **Field of Classification Search** D16/221,
D16/225, 230-231, 234, 205, 208, 213; 273/148 B;
353/115, 119, 122; 348/794, 744-745, 759,
348/143, 81, 373-376; 359/784, 689, 642,
359/648-649, 651, 754; D14/188; D21/514;
463/46-47

See application file for complete search history.

(56) **References Cited**

U.S. PATENT DOCUMENTS

D119,488 S * 3/1940 DeHaven D16/221
D321,526 S * 11/1991 Kurozumi et al. D16/221
D451,528 S * 12/2001 Gaewsky et al. D16/230
6,695,452 B2 * 2/2004 Panasewicz et al. 353/119

D487,903 S * 3/2004 Panasewicz et al. D16/225
D491,972 S * 6/2004 Heath D16/225
D509,526 S 9/2005 Oross et al.
D509,844 S 9/2005 Oross et al.
7,059,732 B2 * 6/2006 Oross et al. 353/119
D532,809 S * 11/2006 Shih D16/218
2006/0285090 A1 * 12/2006 Rodriguez 353/122
2007/0064207 A1 * 3/2007 Rodriguez et al. 353/122

* cited by examiner

Primary Examiner—Ian Simmons
Assistant Examiner—Wan Laymon

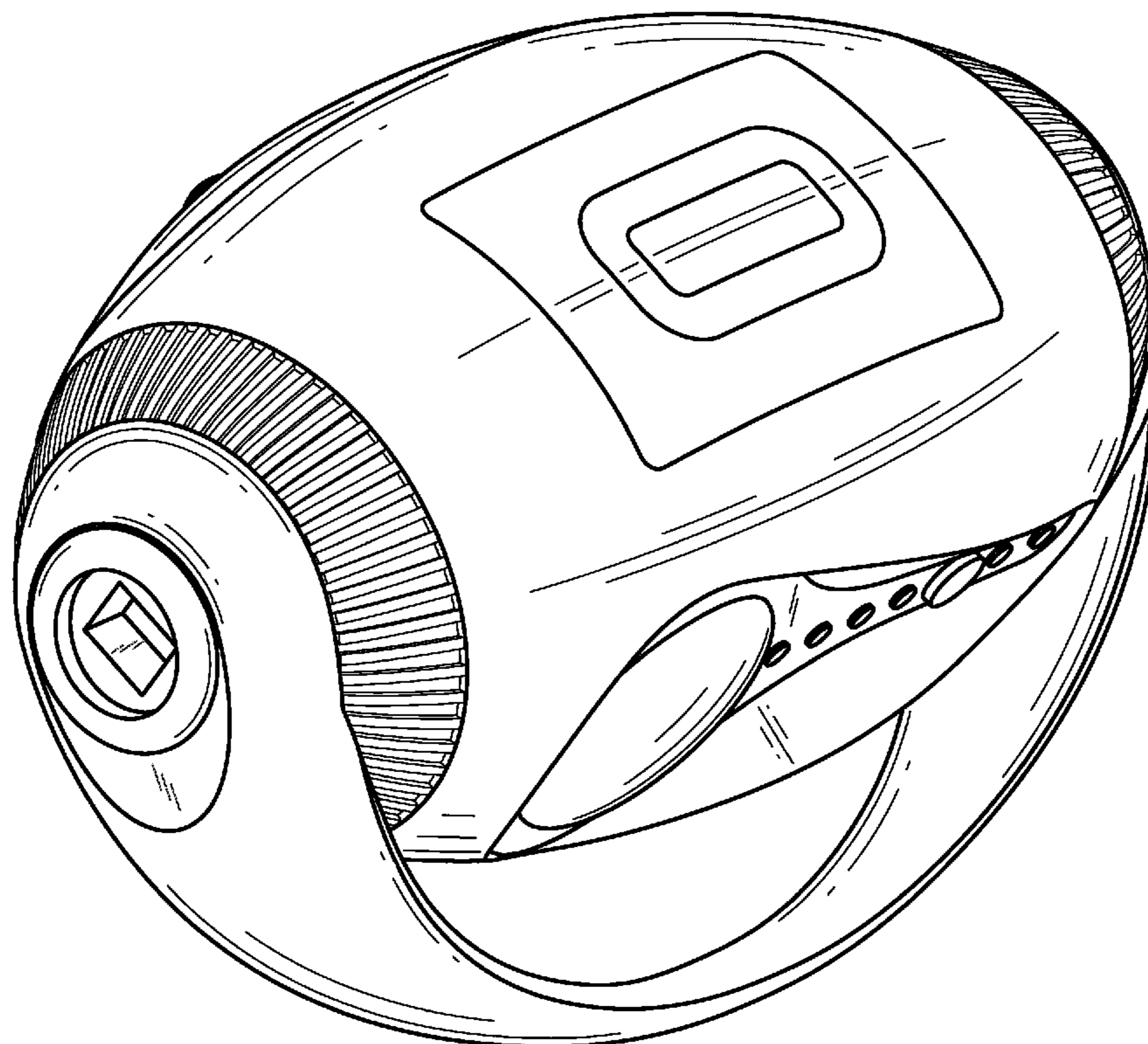
(57) **CLAIM**

The ornamental design for a personal gaming projector with port for MPEG device, as shown and described.

DESCRIPTION

FIG. 1 is a front isometric view of a new design for a personal gaming projector with port for MPEG device;
FIG. 2 is a left side elevation view thereof;
FIG. 3 is a right side elevation view thereof;
FIG. 4 is a bottom plan view thereof;
FIG. 5 is a top plan view thereof;
FIG. 6 is a front elevation view thereof; and,
FIG. 7 is a rear elevation view thereof.

1 Claim, 7 Drawing Sheets



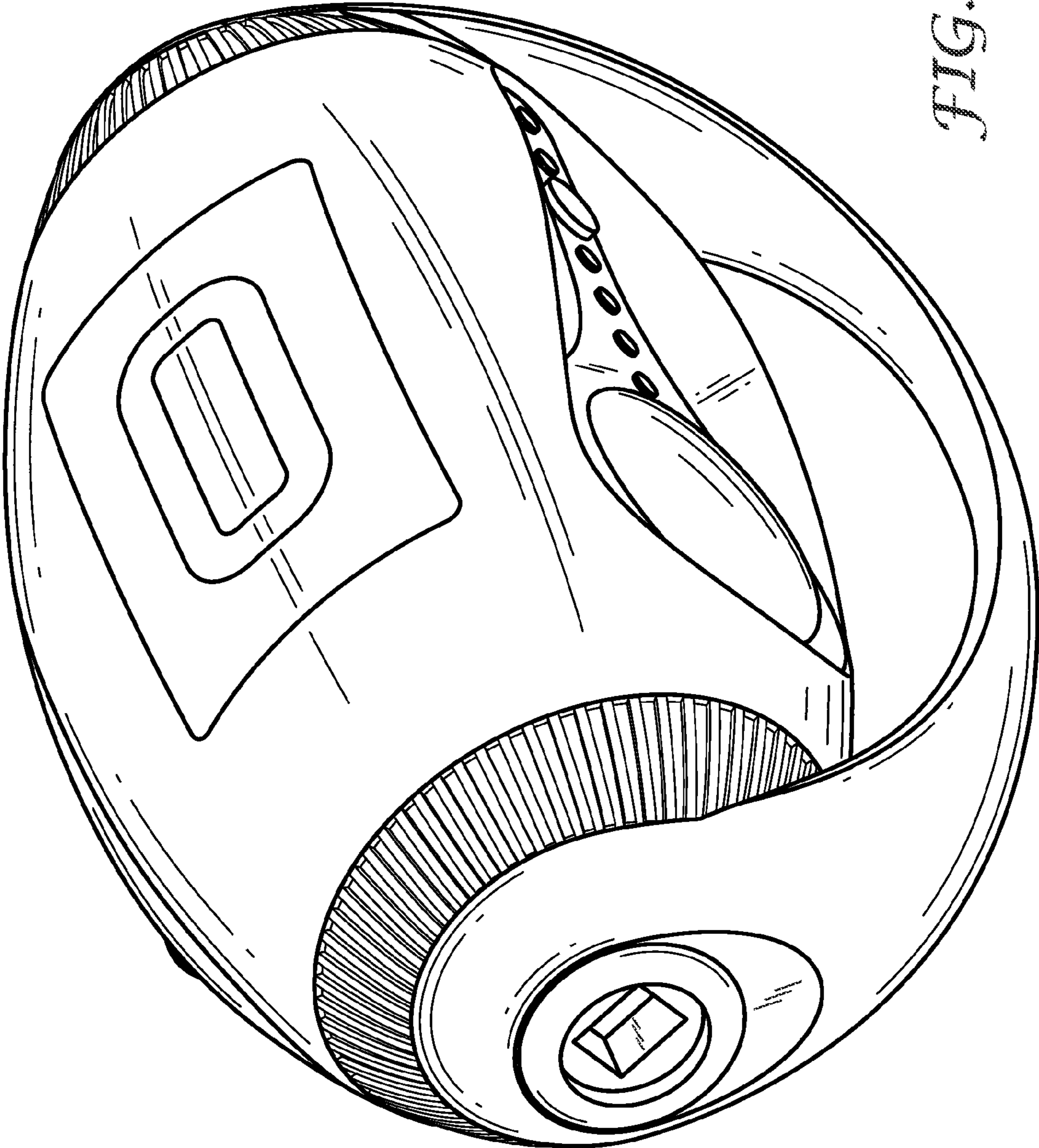


FIG. 1

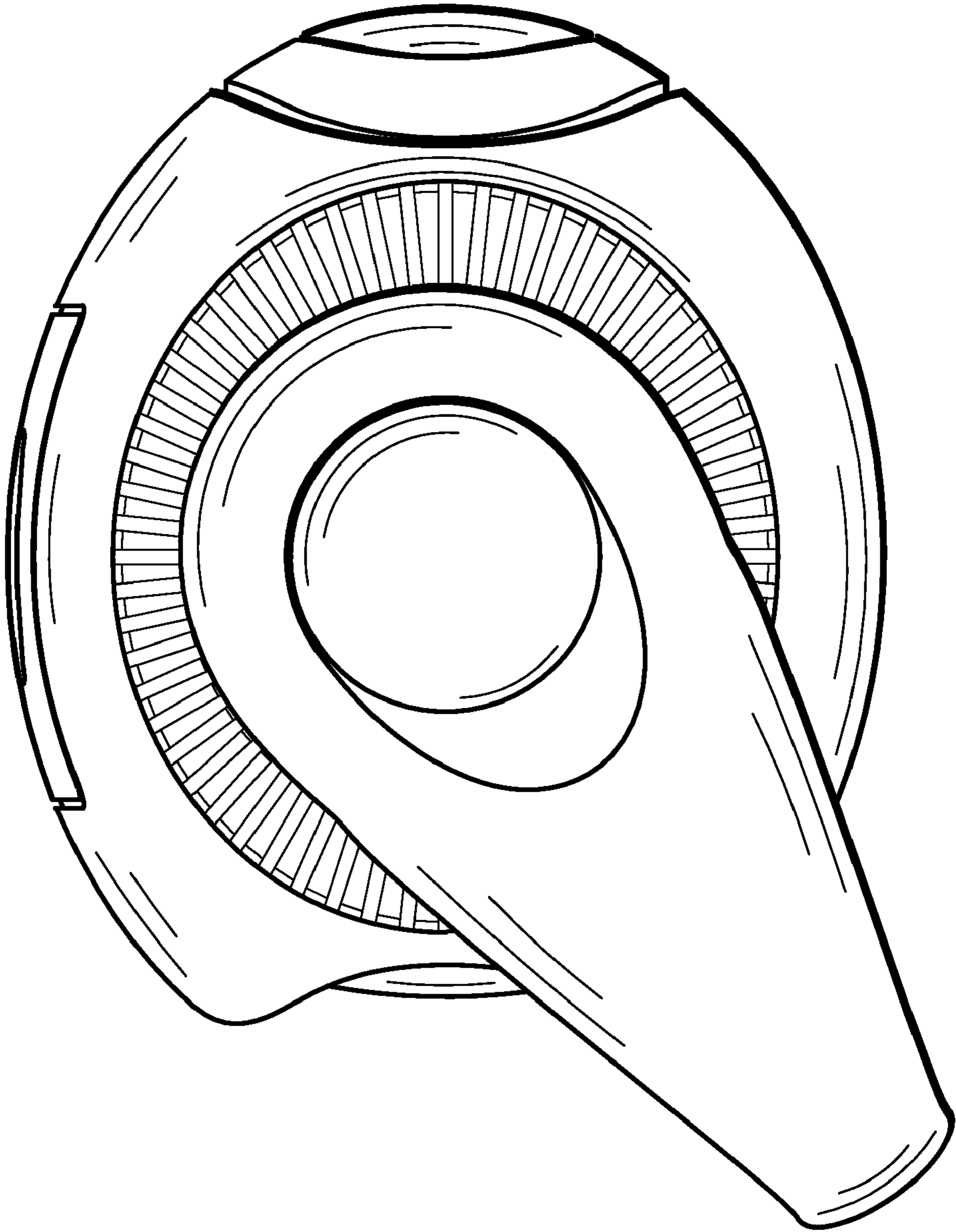


FIG. 2

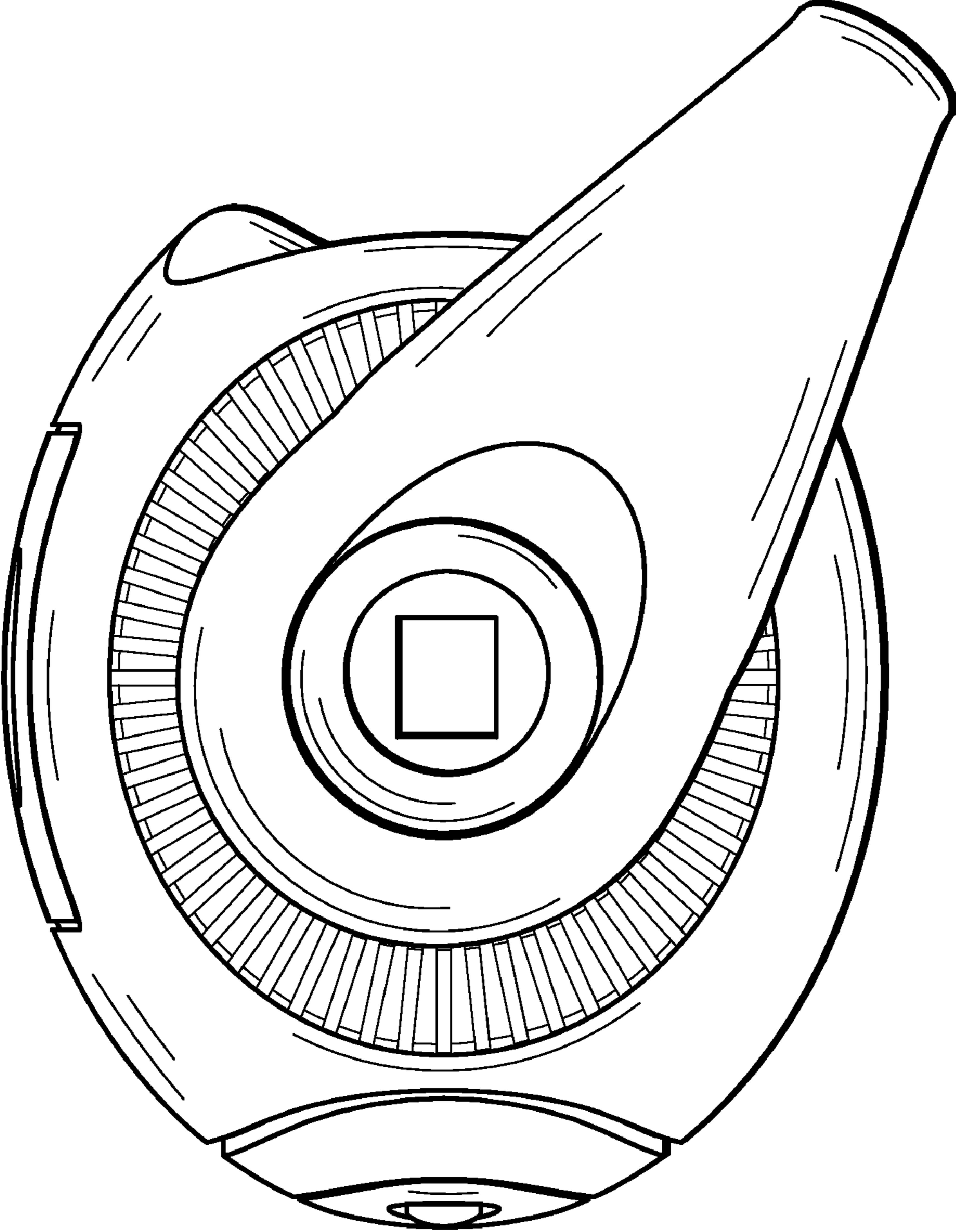


FIG. 3

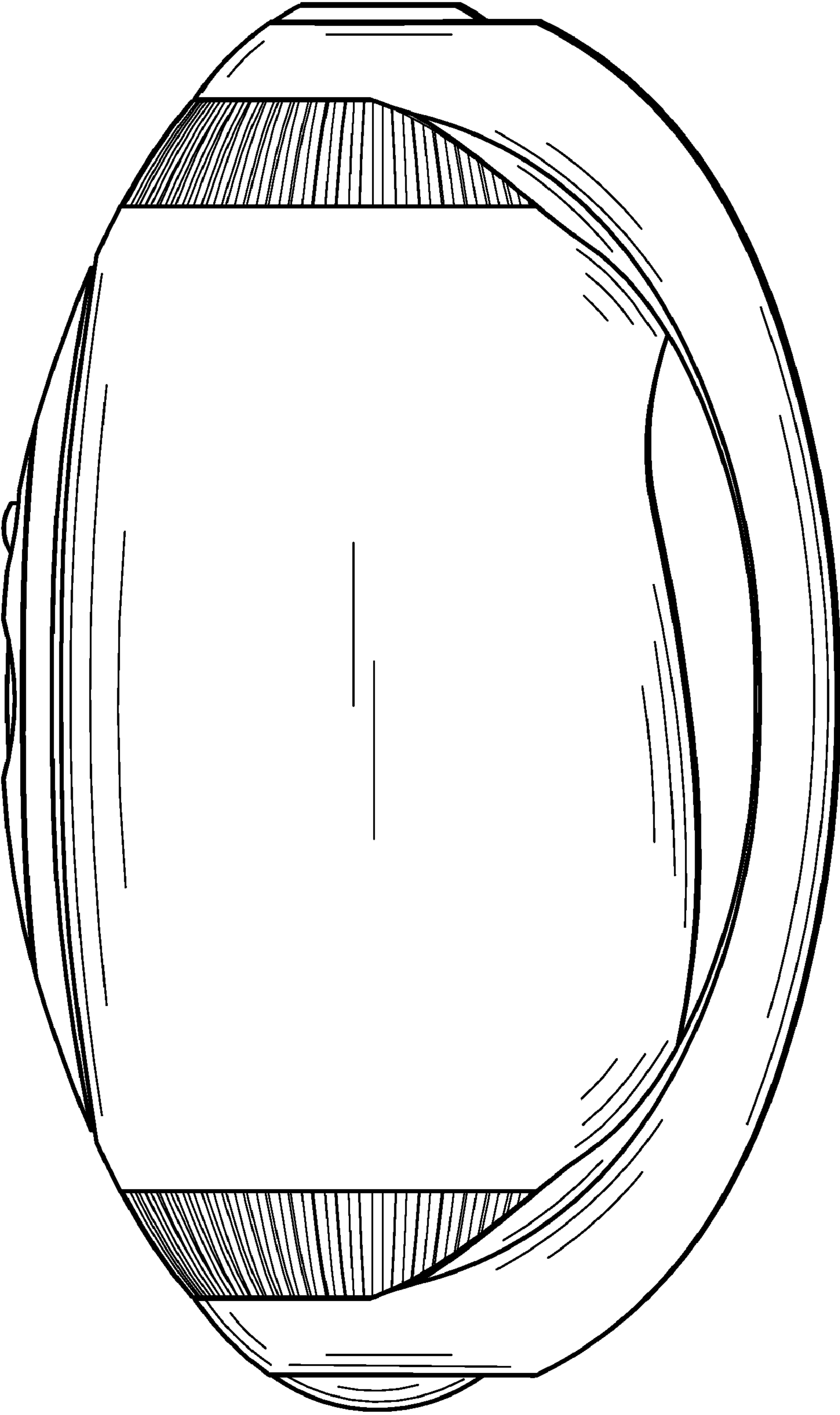


FIG. 4

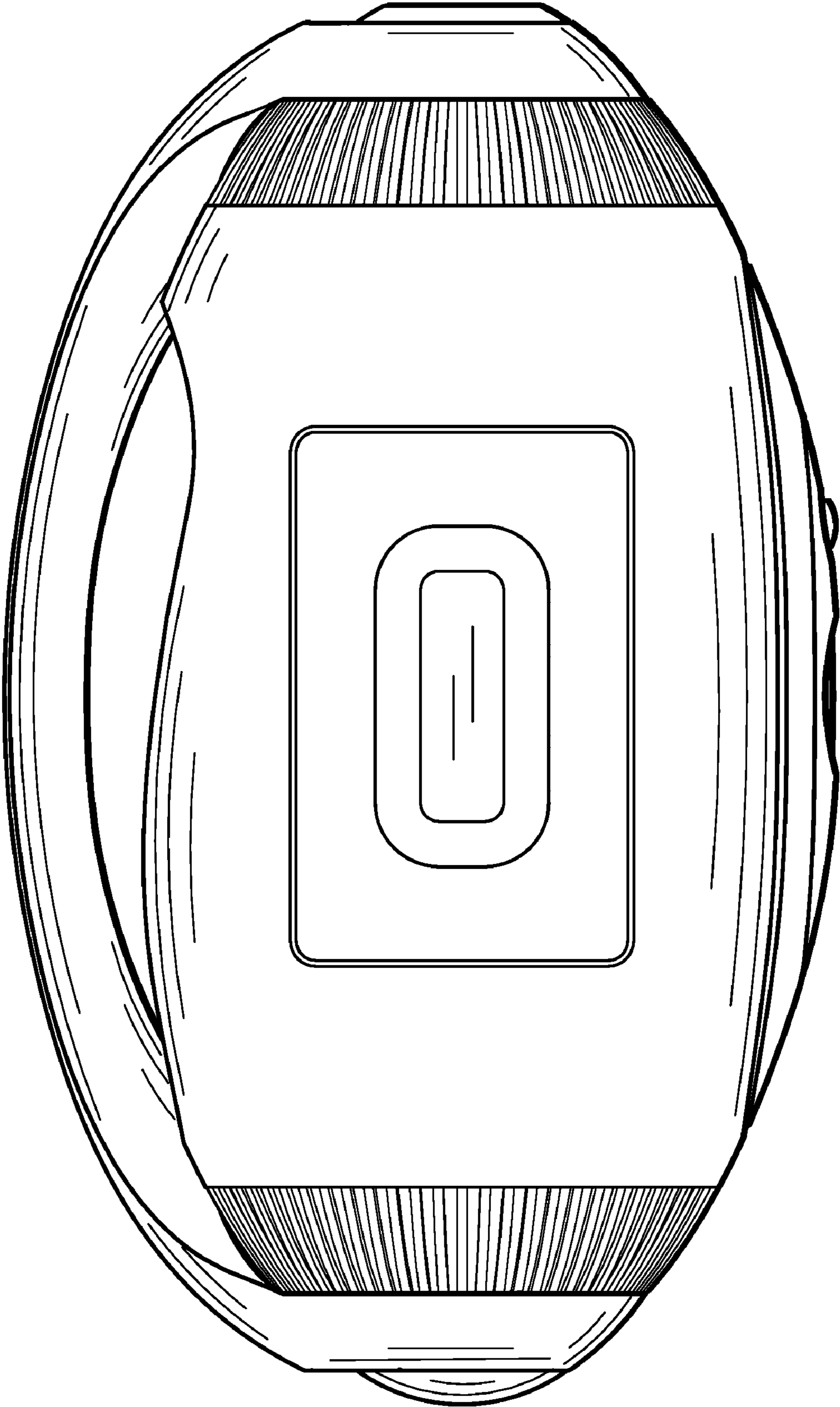


FIG. 5

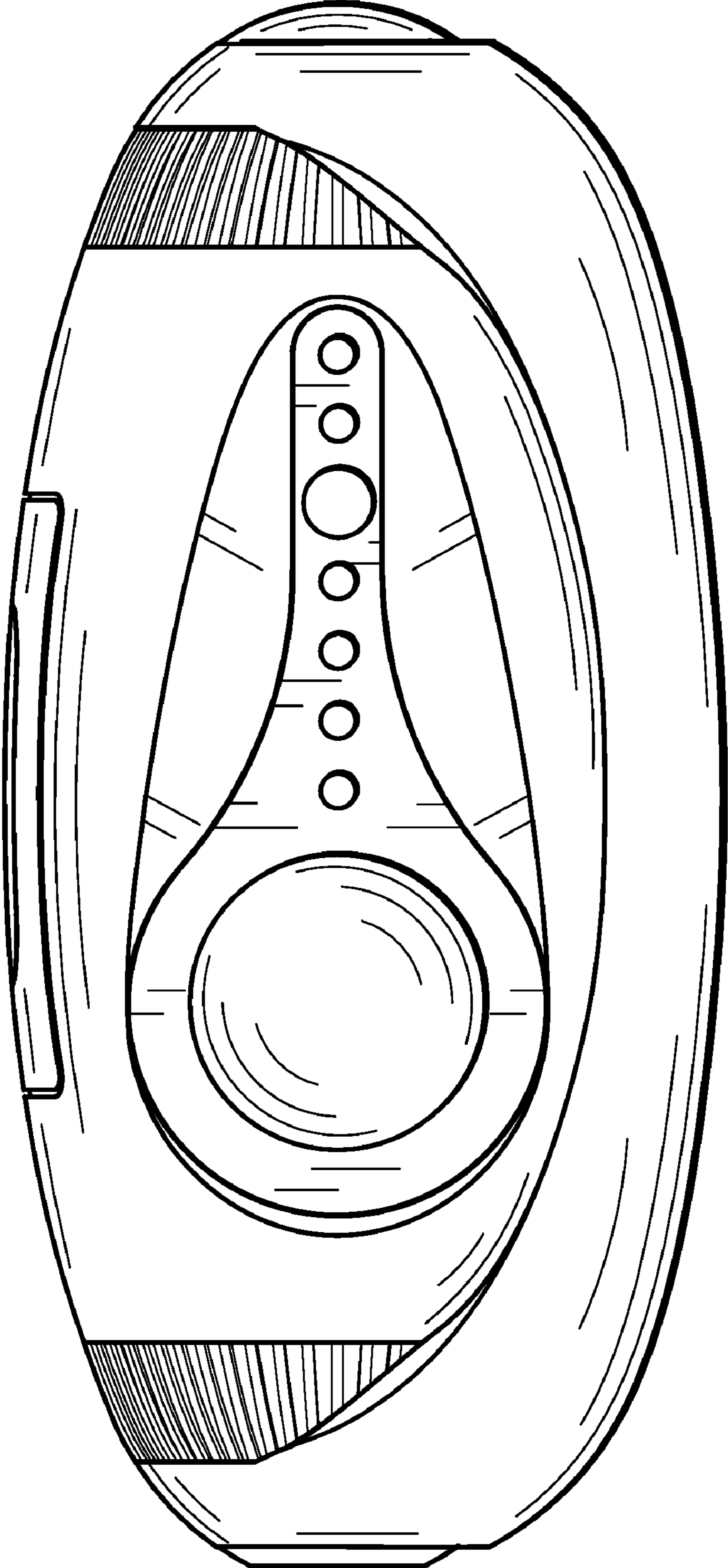


FIG. 6

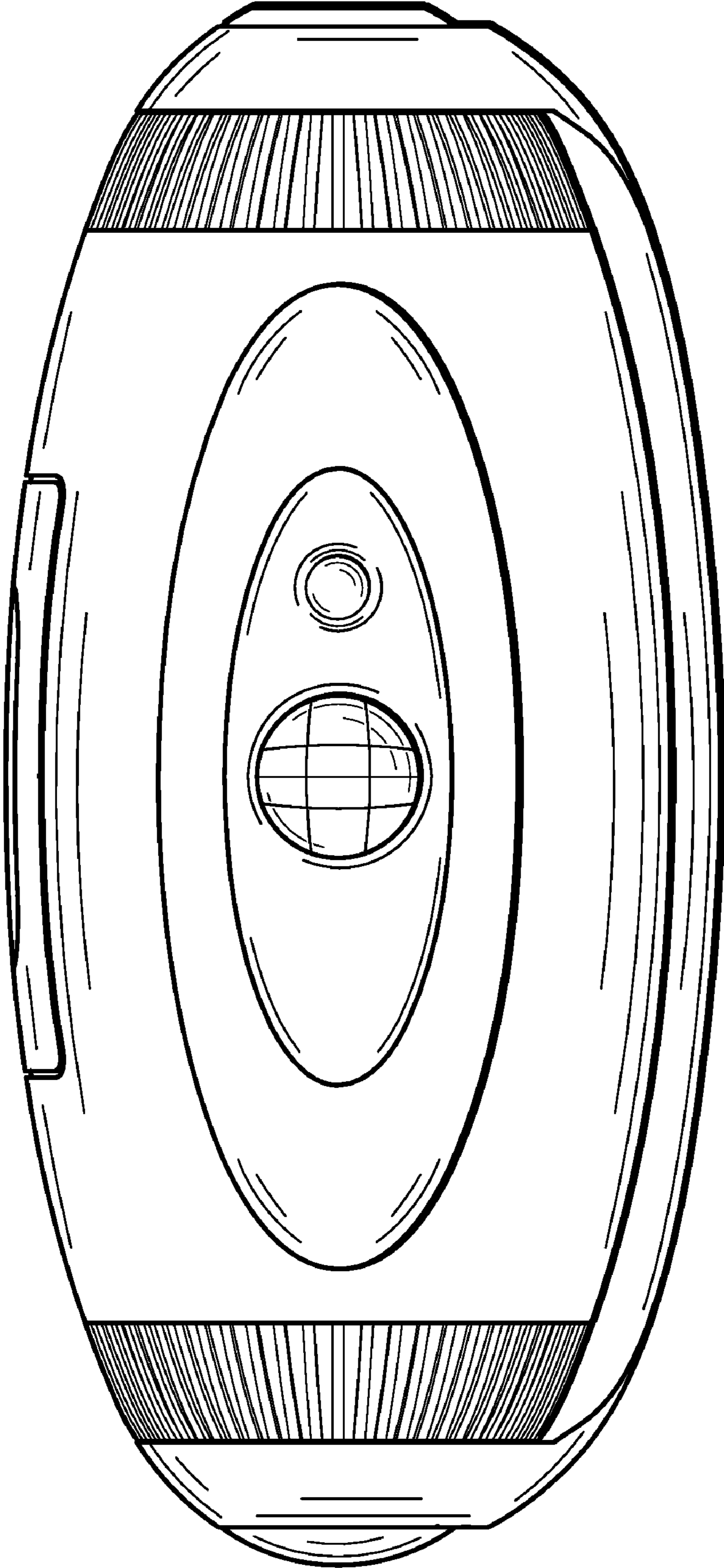


FIG. 7