



US00D576653S

(12) **United States Design Patent**
Malthouse

(10) **Patent No.:** **US D576,653 S**
(45) **Date of Patent:** **** Sep. 9, 2008**

(54) **COMBINED CAMERA AND ILLUMINATOR HOUSING**

(75) Inventor: **Christopher Leslie Malthouse**, Frimley (GB)

(73) Assignee: **Bosch Security Systems BV**, Eindhoven (NL)

(**) Term: **14 Years**

(21) Appl. No.: **29/283,802**

(22) Filed: **Aug. 24, 2007**

(51) **LOC (8) Cl.** **16-01**

(52) **U.S. Cl.** **D16/208; D16/203**

(58) **Field of Classification Search** D16/200–204,
D16/208, 214, 218, 242; 348/373–376; 362/16;
396/419, 427, 535–541

See application file for complete search history.

(56) **References Cited**

U.S. PATENT DOCUMENTS

D394,668 S * 5/1998 Iino D16/202
6,384,863 B1 * 5/2002 Bronson 348/373

6,554,499 B1 * 4/2003 Gumpenberger 396/427
D496,381 S * 9/2004 McDonald D16/203
D525,640 S * 7/2006 Bloch et al. D16/208
D555,691 S * 11/2007 Kato et al. D16/203
7,298,969 B2 * 11/2007 Elberbaum 348/373
D558,249 S * 12/2007 Hsia D16/203

* cited by examiner

Primary Examiner—Adir Aronovich

(57) **CLAIM**

The ornamental design for a combined camera and illuminator housing, as shown.

DESCRIPTION

FIG. 1 is a front elevational view of a combined camera and illuminator housing showing my new design;

FIG. 2 is a rear elevational view thereof;

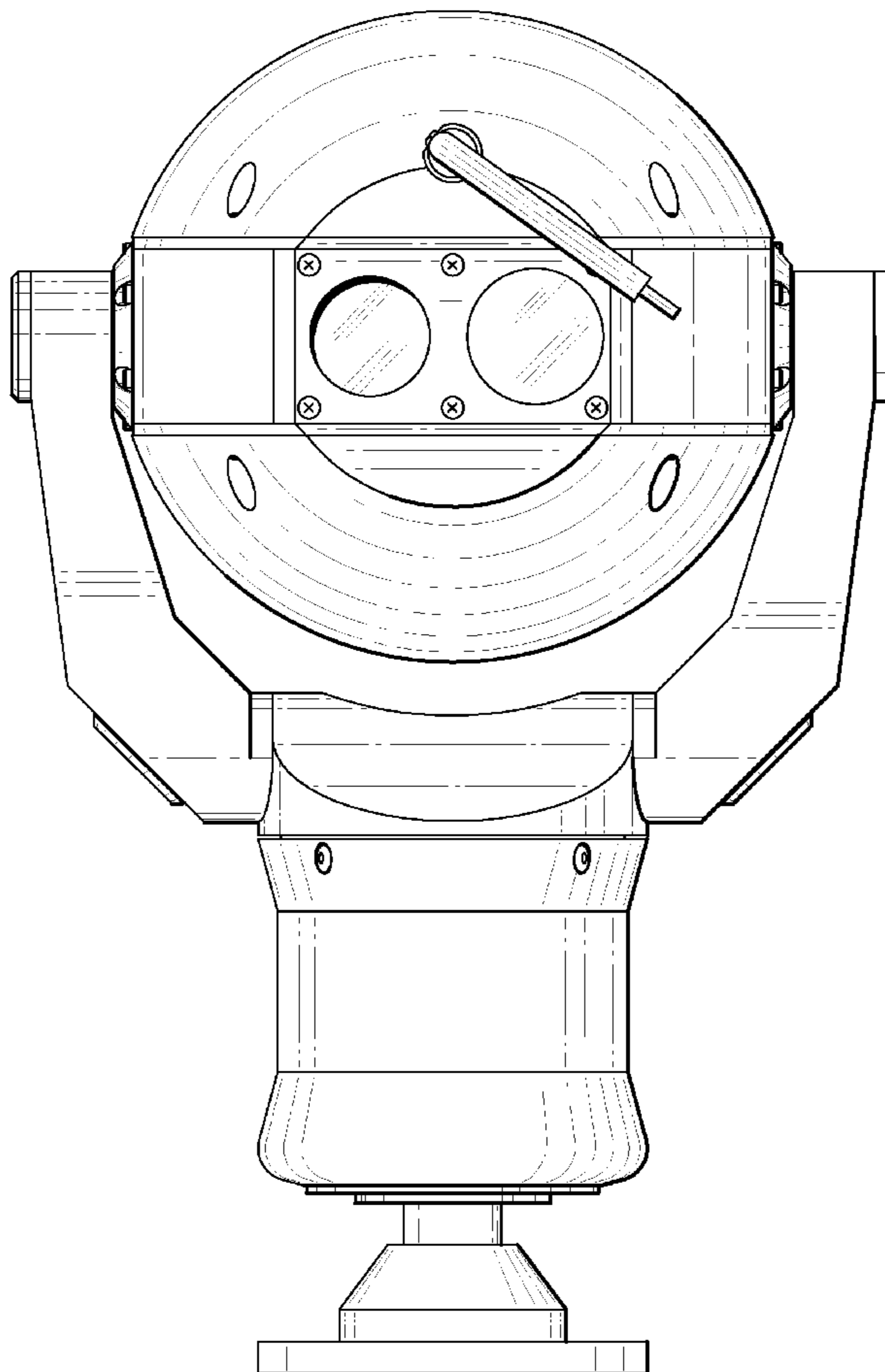
FIG. 3 is a left side elevational view thereof;

FIG. 4 is a right side elevational view thereof;

FIG. 5 is a top plan view thereof; and,

FIG. 6 is a bottom plan view thereof.

1 Claim, 6 Drawing Sheets



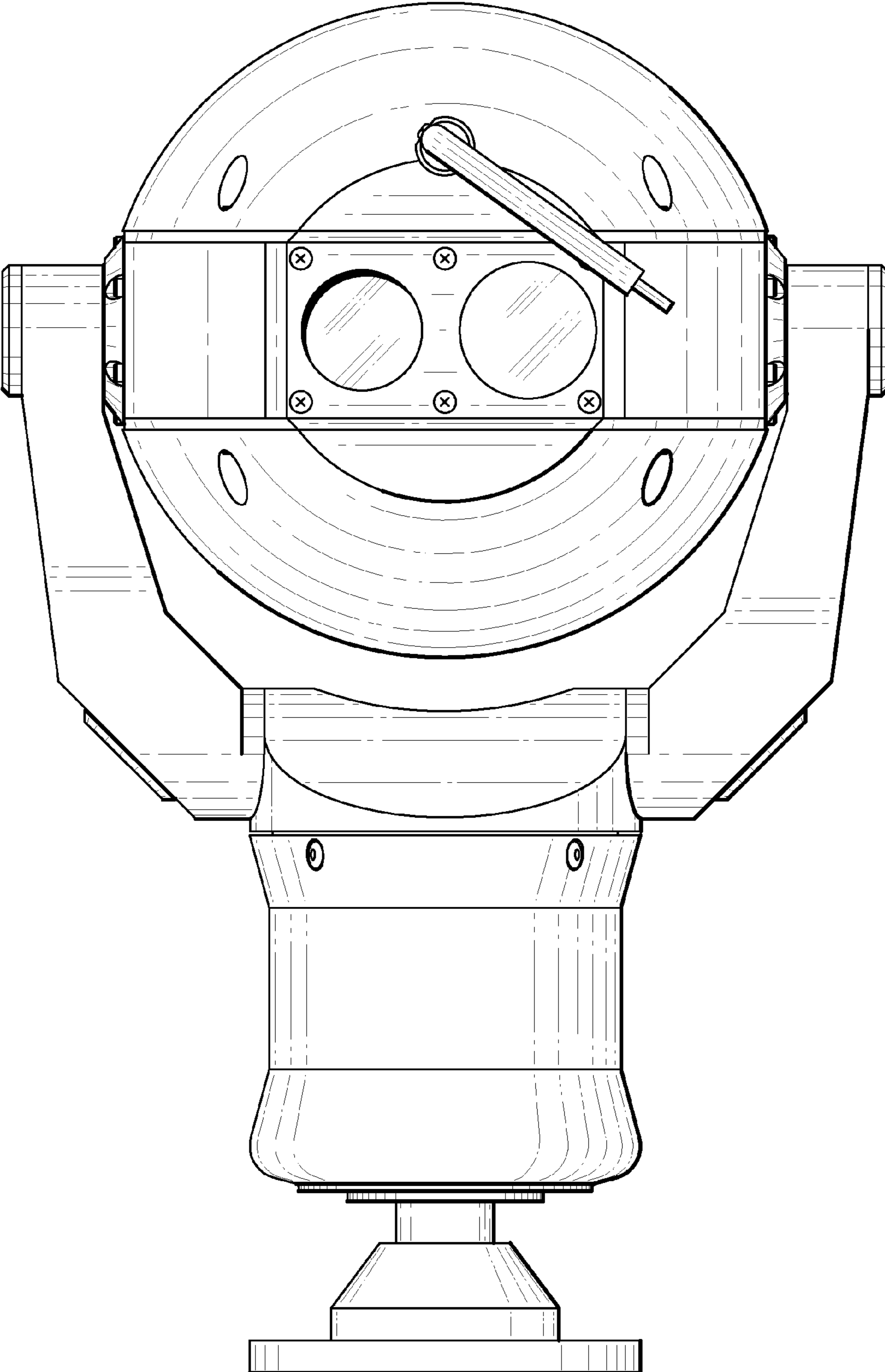


fig 1

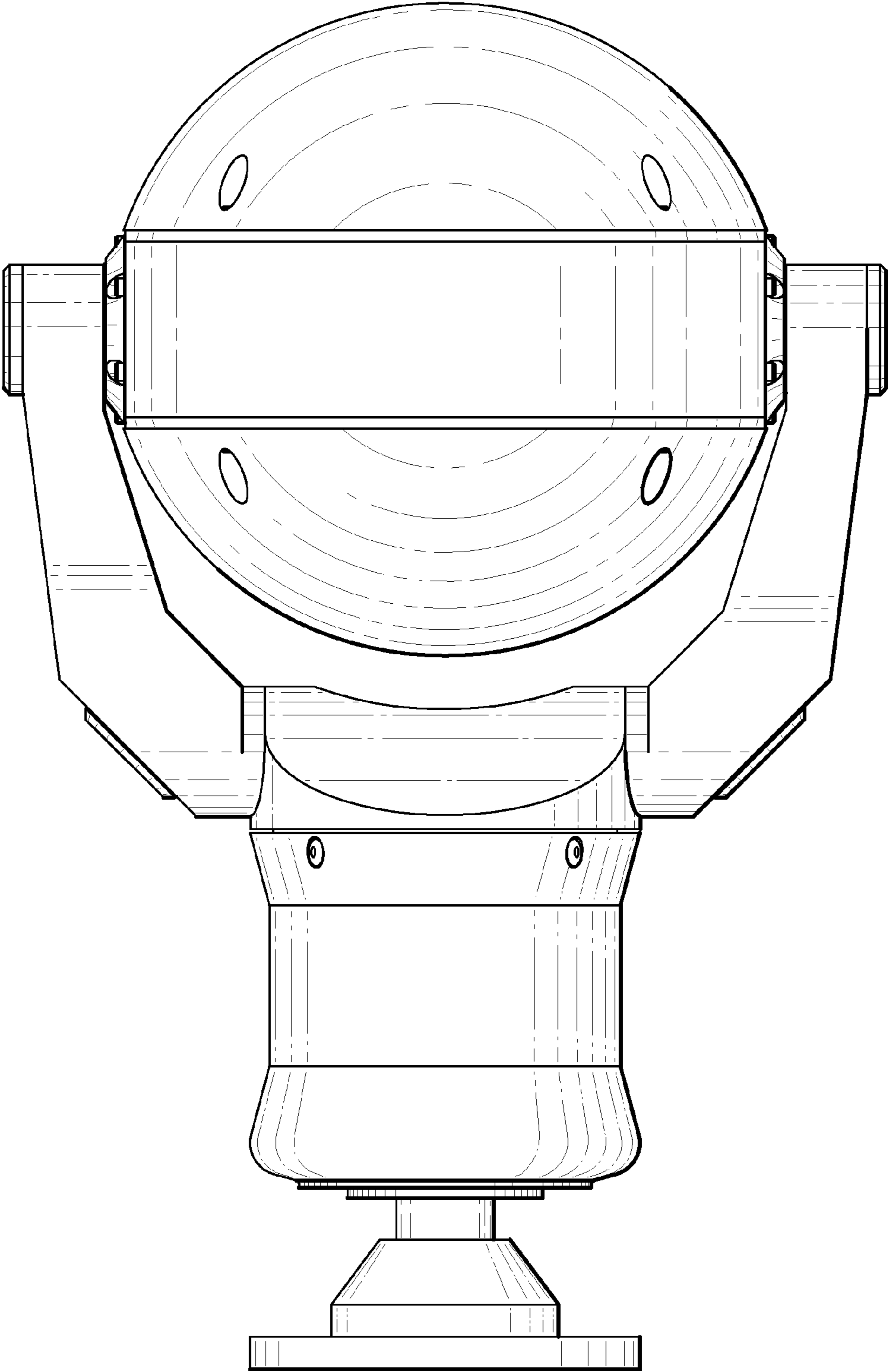


fig 2

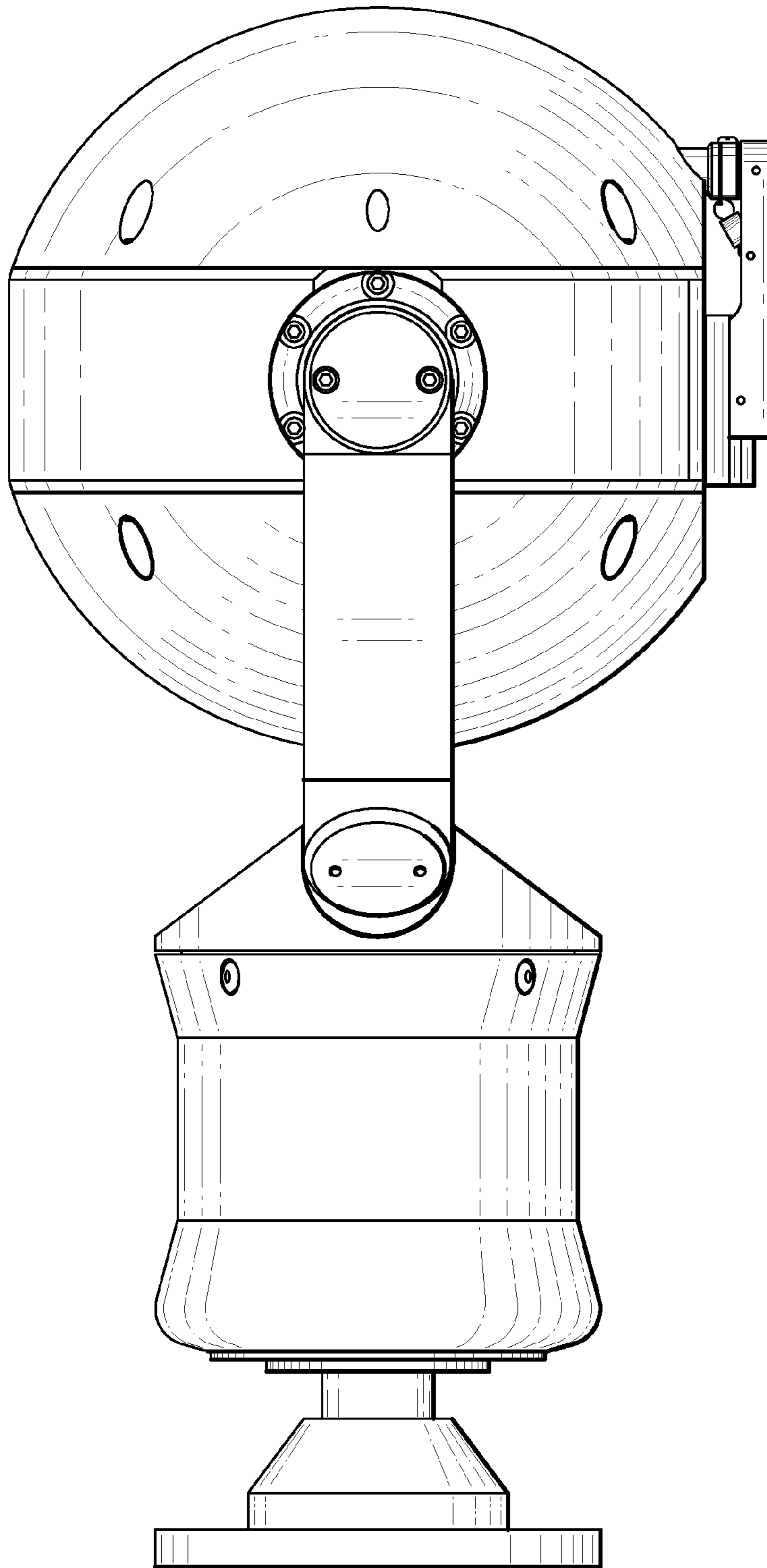


fig 3

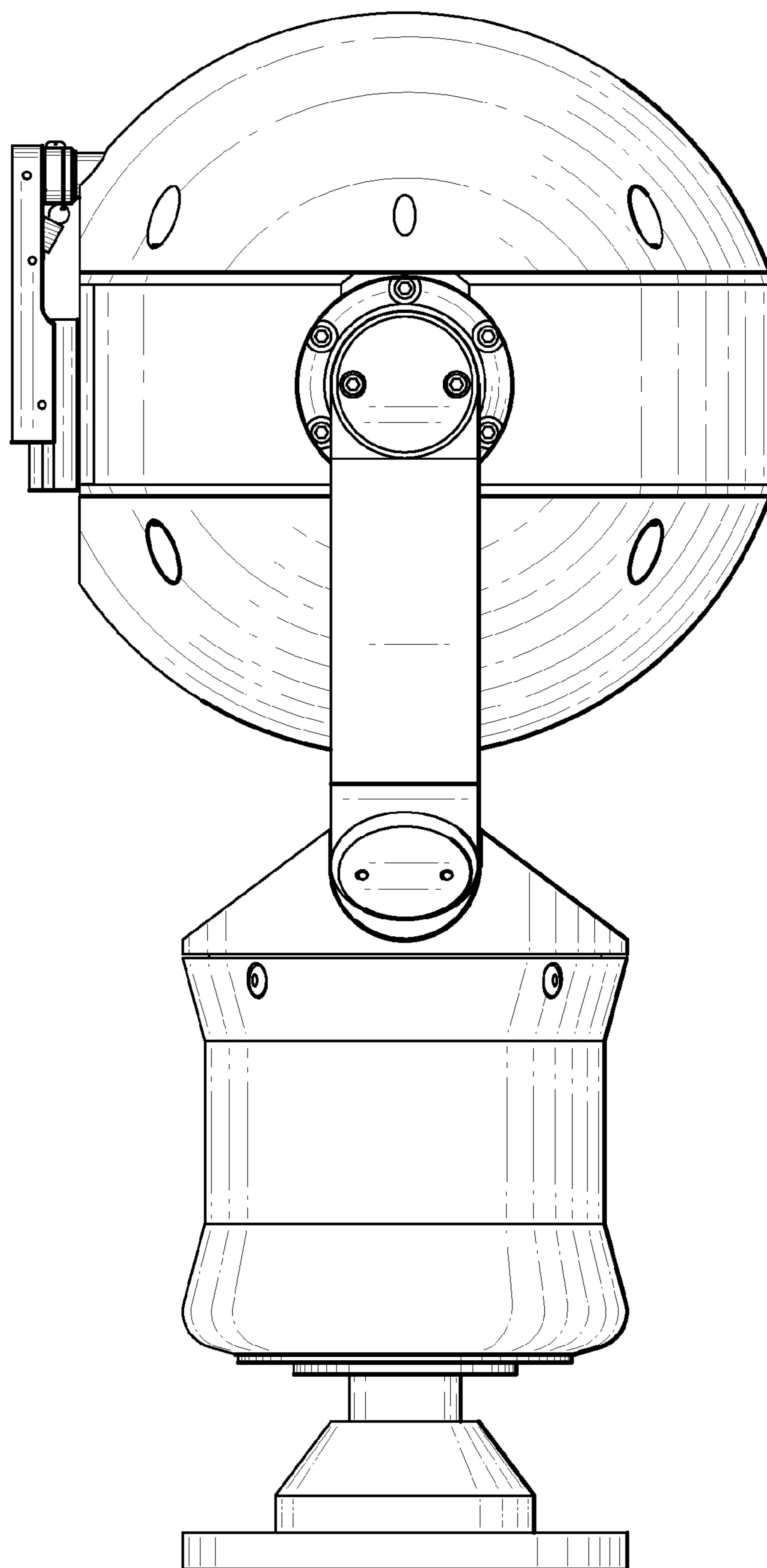


fig 4

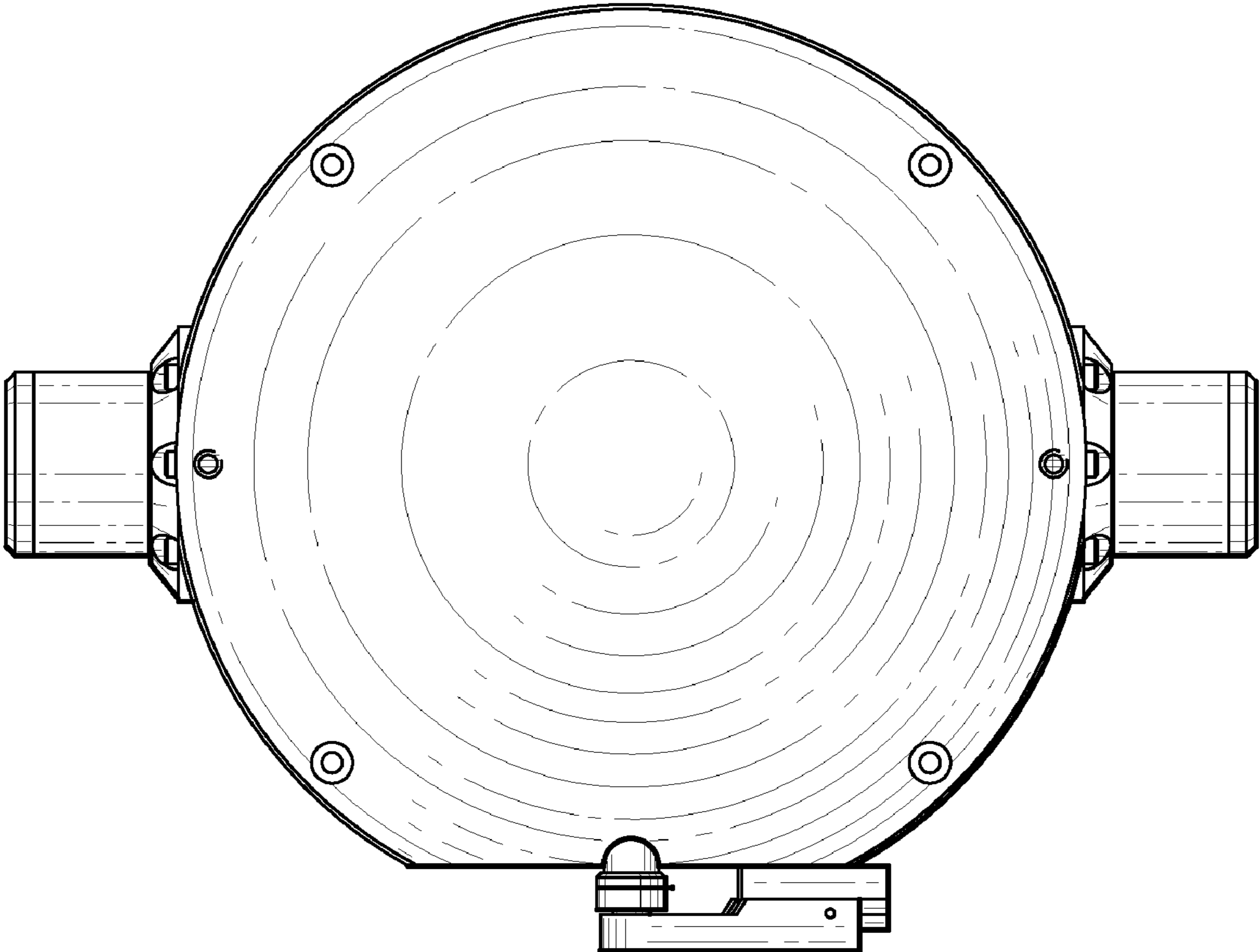


fig 5

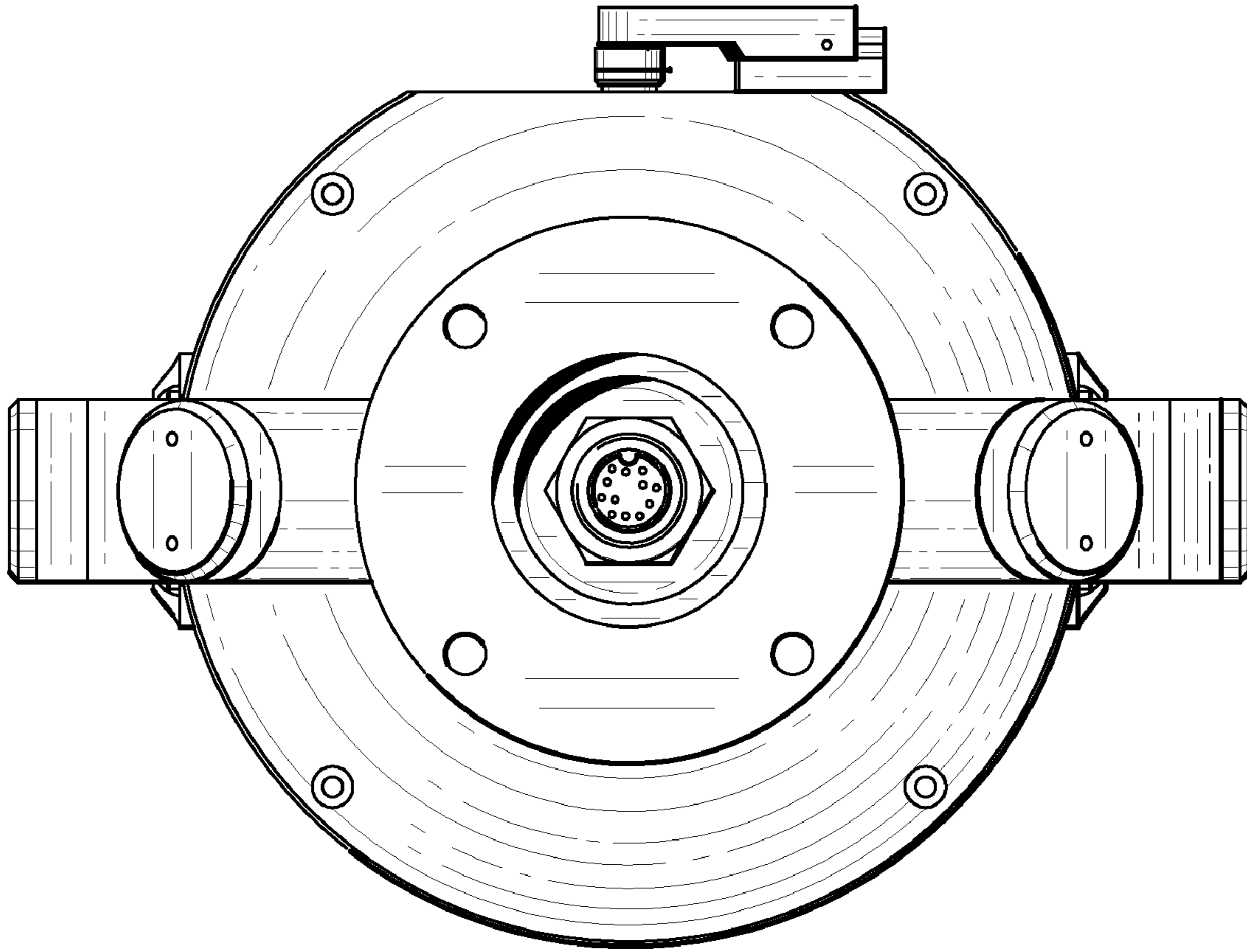


fig 6