



US00D576651S

(12) **United States Design Patent**  
**Willis et al.**

(10) **Patent No.:** **US D576,651 S**  
(45) **Date of Patent:** **\*\* Sep. 9, 2008**

(54) **COMBINED CAMERA AND ILLUMINATOR HOUSING**

(75) Inventors: **Martin William Willis**, Fleet (GB);  
**Christopher Leslie Malthouse**, Frimley (GB)

(73) Assignee: **Bosch Security Systems BV**, Eindhoven (NL)

(\*\*) Term: **14 Years**

(21) Appl. No.: **29/283,800**

(22) Filed: **Aug. 24, 2007**

(51) **LOC (8) Cl.** ..... **16-01**

(52) **U.S. Cl.** ..... **D16/208; D16/203**

(58) **Field of Classification Search** ..... D16/200–204,  
D16/208, 214, 218, 242; 348/373–376; 362/16;  
396/419, 427, 535–541

See application file for complete search history.

(56) **References Cited**

**U.S. PATENT DOCUMENTS**

D394,668 S \* 5/1998 Iino ..... D16/202

6,384,863 B1 \* 5/2002 Bronson ..... 348/373  
6,554,499 B1 \* 4/2003 Gumpenberger ..... 396/427  
D496,381 S \* 9/2004 McDonald ..... D16/203  
D525,640 S \* 7/2006 Bloch et al. .... D16/208  
D555,691 S \* 11/2007 Kato et al. .... D16/203  
7,298,969 B2 \* 11/2007 Elberbaum ..... 348/373

\* cited by examiner

*Primary Examiner*—Adir Aronovich

(57) **CLAIM**

The ornamental design for a combined camera and illuminator housing, as shown.

**DESCRIPTION**

FIG. 1 is a front elevational view of a combined camera and illuminator housing showing our new design;

FIG. 2 is a rear elevational view thereof;

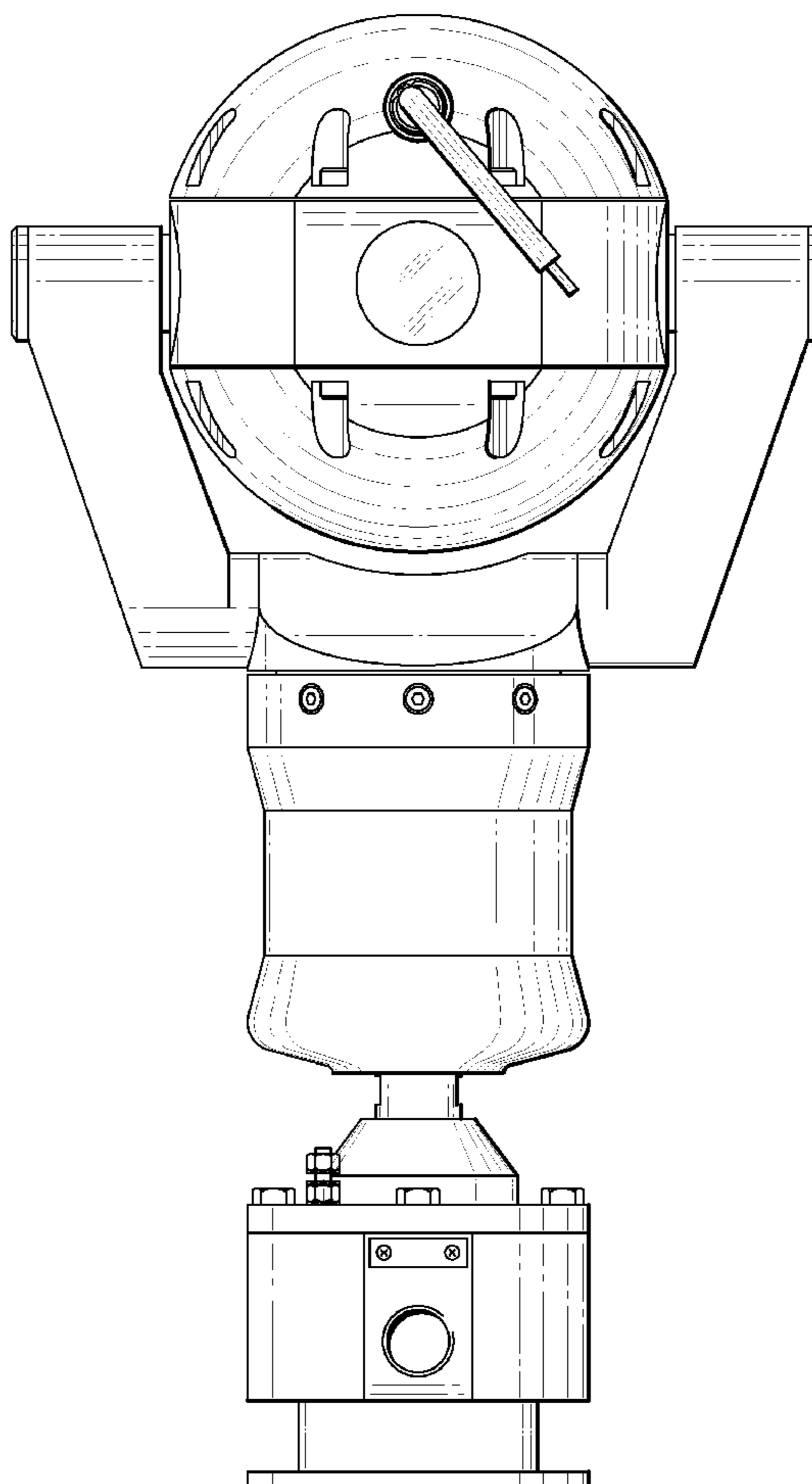
FIG. 3 is a left side elevational view thereof;

FIG. 4 is a right side elevational view thereof;

FIG. 5 is a top plan view thereof; and

FIG. 6 is a bottom plan view thereof.

**1 Claim, 6 Drawing Sheets**



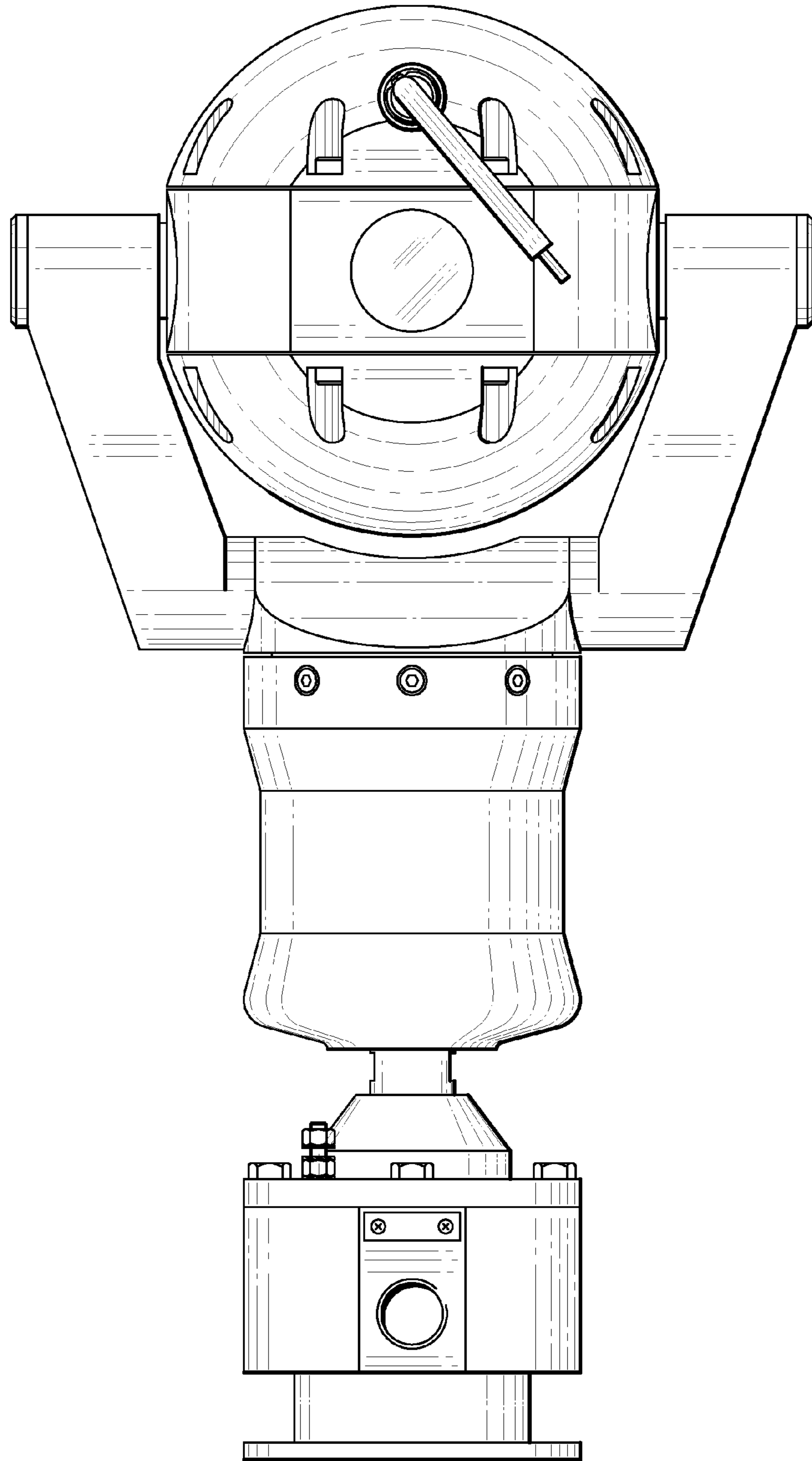


fig 1

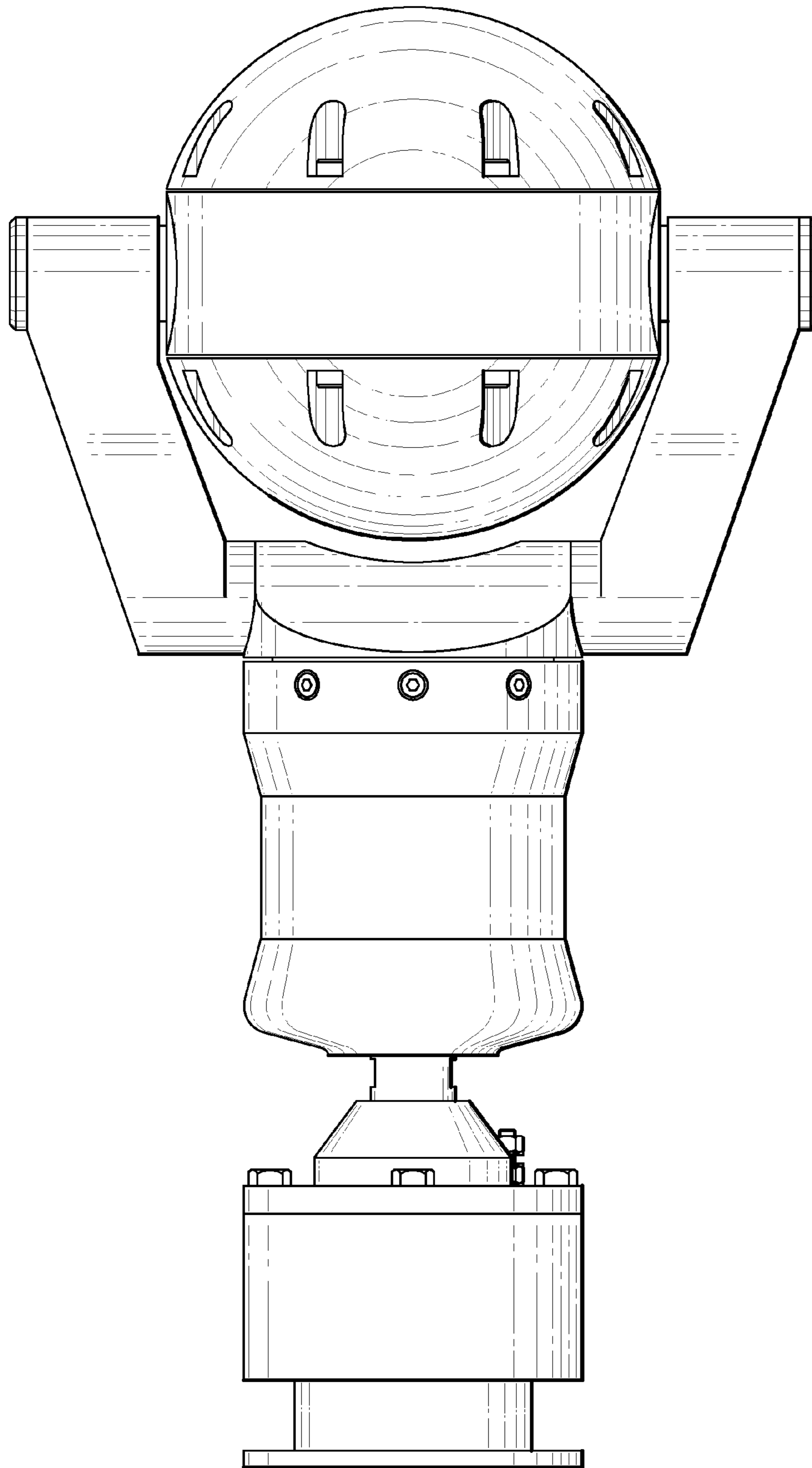


fig 2

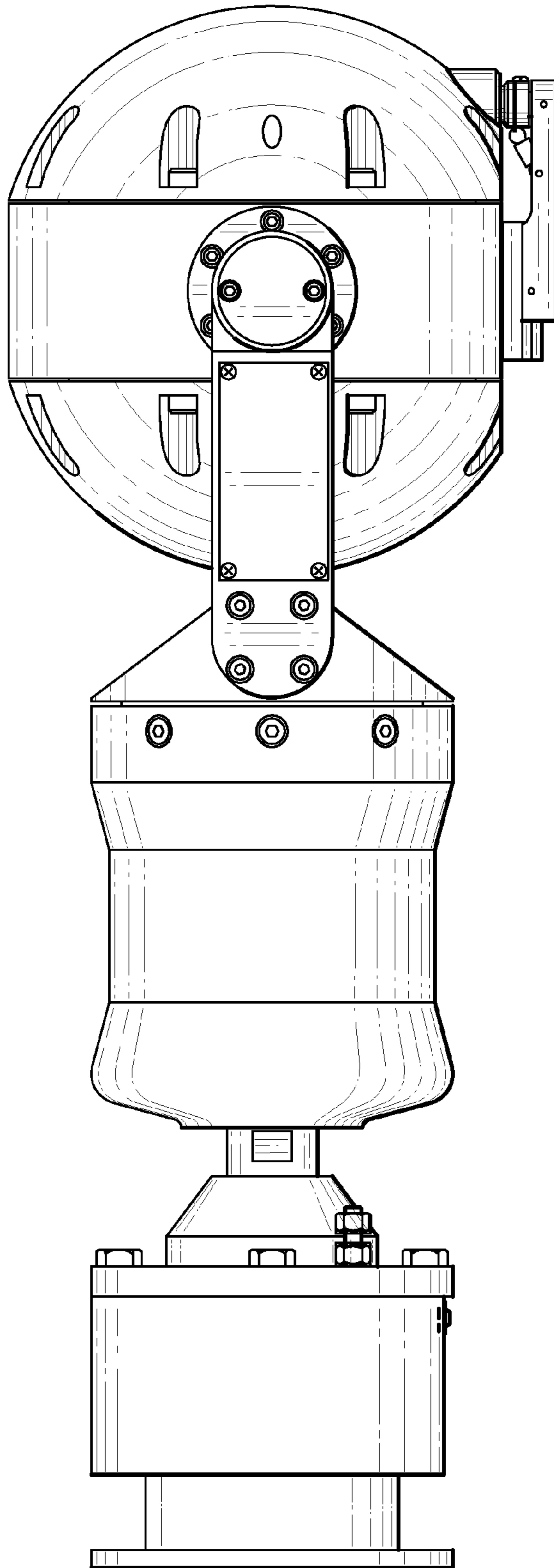


fig 3

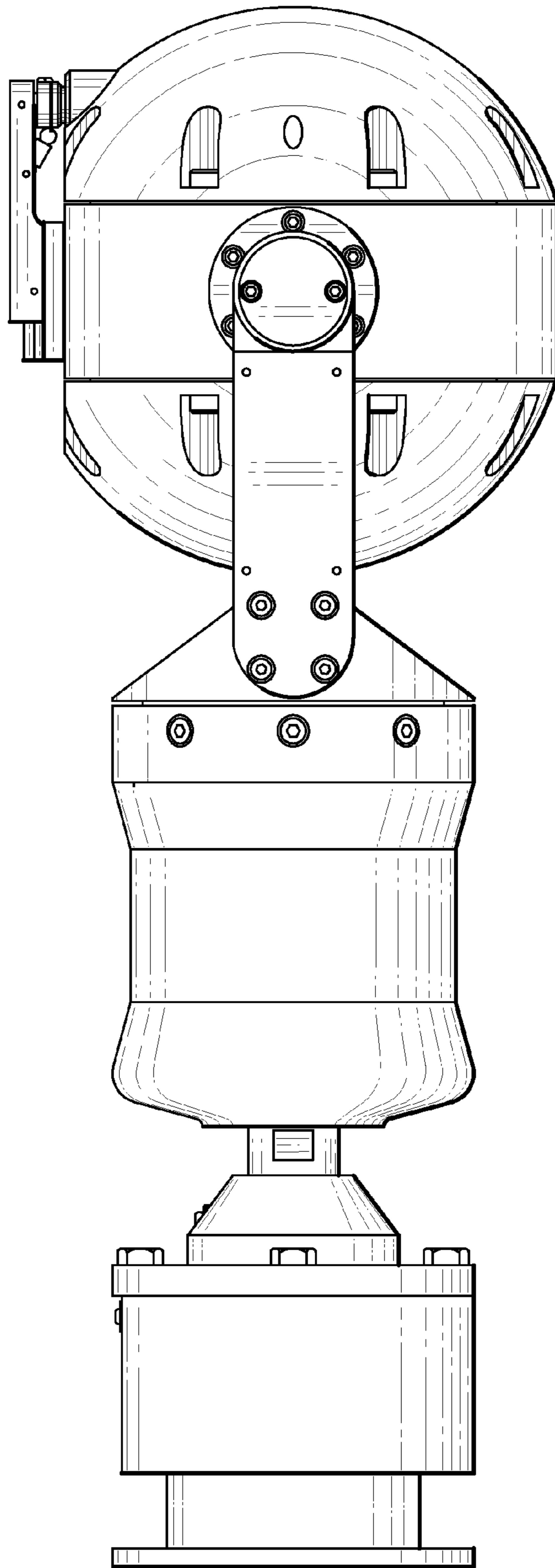


fig 4

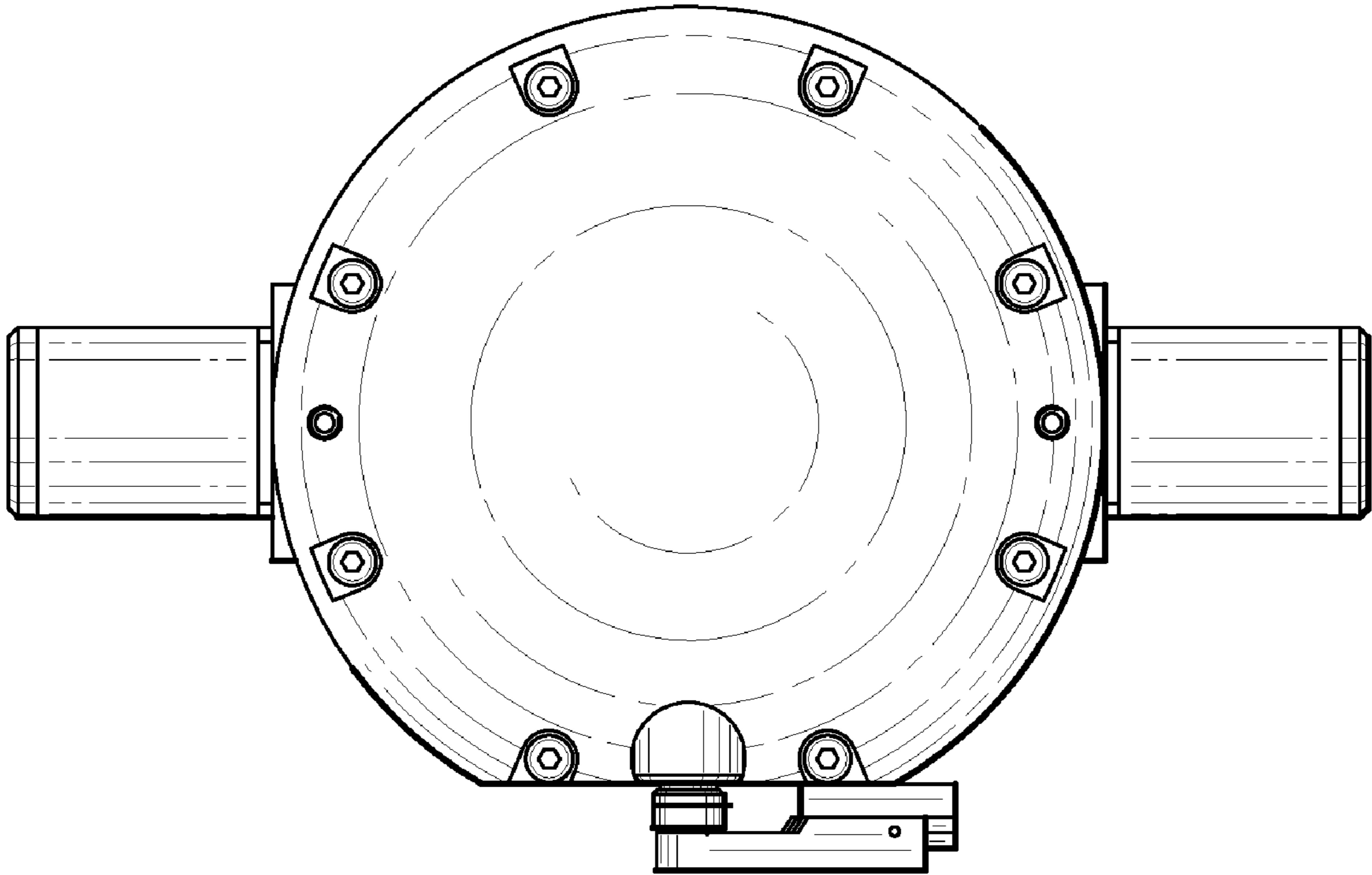


fig 5

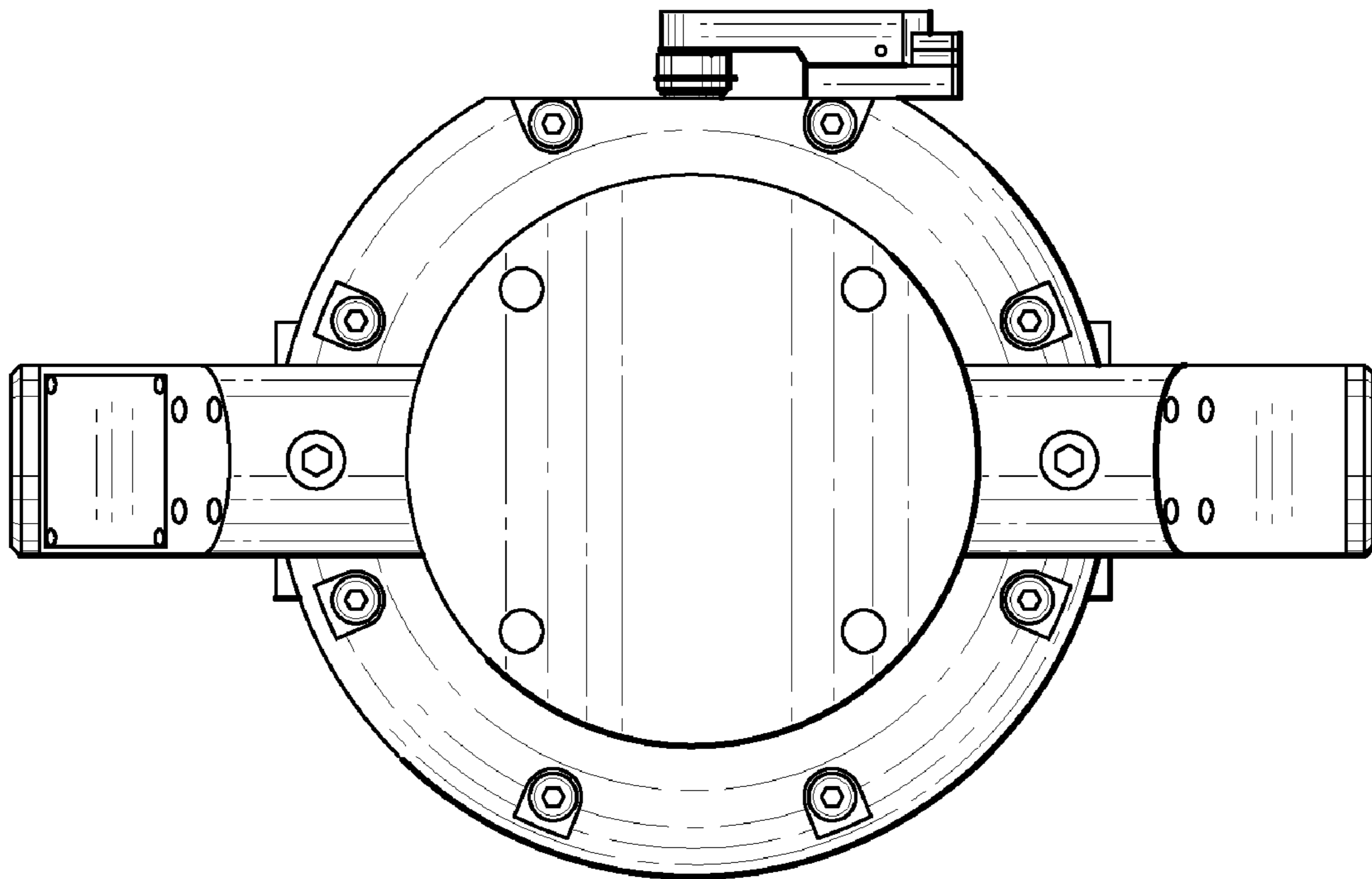


fig 6