



US00D576649S

(12) **United States Design Patent**  
**Kim**

(10) **Patent No.:** **US D576,649 S**

(45) **Date of Patent:** **\*\* Sep. 9, 2008**

(54) **ELECTRONIC CAMERA**

D559,882 S \* 1/2008 Nakamura ..... D16/218

(75) Inventor: **Young Kim**, Bellevue, WA (US)

\* cited by examiner

(73) Assignee: **Microsoft Corporation**, Redmond, WA (US)

*Primary Examiner*—Adir Aronovich

(74) *Attorney, Agent, or Firm*—Banner & Witcoff, Ltd.

(\*\*) Term: **14 Years**

(57) **CLAIM**

(21) Appl. No.: **29/295,588**

The ornamental design for an electronic camera, as shown and described.

(22) Filed: **Oct. 2, 2007**

**DESCRIPTION**

(51) **LOC (8) Cl.** ..... **16-01**

(52) **U.S. Cl.** ..... **D16/202; D16/218**

(58) **Field of Classification Search** ..... D16/200–204,  
D16/208, 218; 348/373–376; 358/909.1;  
396/535–541

See application file for complete search history.

FIG. 1 is a front perspective view of an electronic camera showing my new design;

FIG. 2 is a front view thereof;

FIG. 3 is a rear side view thereof;

FIG. 4 is a left side view thereof;

FIG. 5 is a right side view thereof;

FIG. 6 is a top view thereof; and,

FIG. 7 is a bottom view thereof.

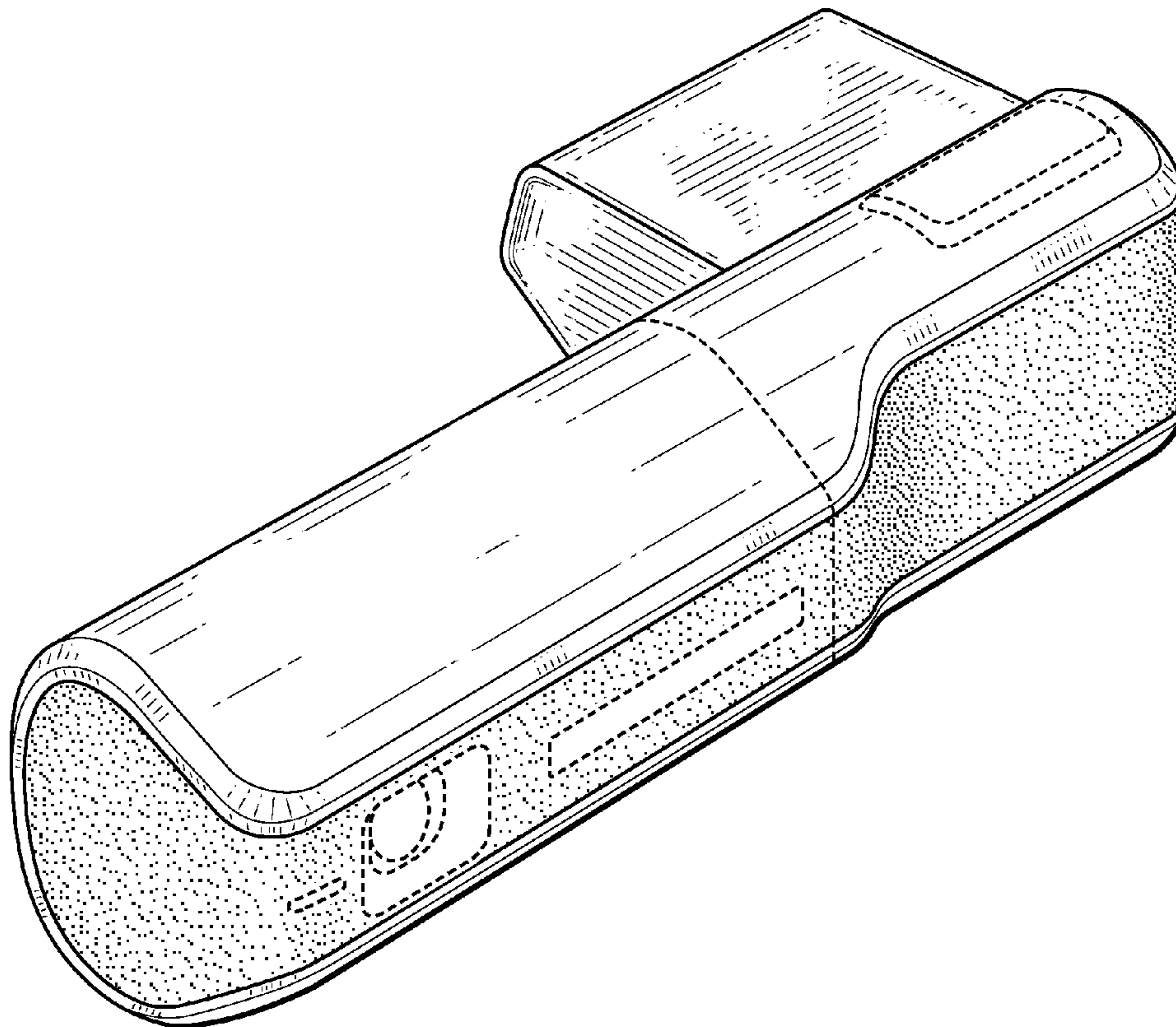
(56) **References Cited**

**U.S. PATENT DOCUMENTS**

D258,444 S *	3/1981	Mineshima	.....	D16/218
D449,628 S *	10/2001	Obata et al.	.....	D16/218
D477,345 S *	7/2003	Hildreth	.....	D16/203
D487,104 S *	2/2004	Obata	.....	D16/202
D506,215 S *	6/2005	Lin et al.	.....	D16/218
D533,887 S *	12/2006	Logan et al.	.....	D16/208
D535,676 S *	1/2007	Dayan	.....	D16/218
D554,683 S *	11/2007	Jones et al.	.....	D16/208

The broken line showing of various regions in the figures, including the unshaded areas therein, is for illustrative purposes and forms no part of the claimed design. The difference in shading in the figures indicates a contrast of appearance and does not depict any particular color, texture or material.

**1 Claim, 4 Drawing Sheets**



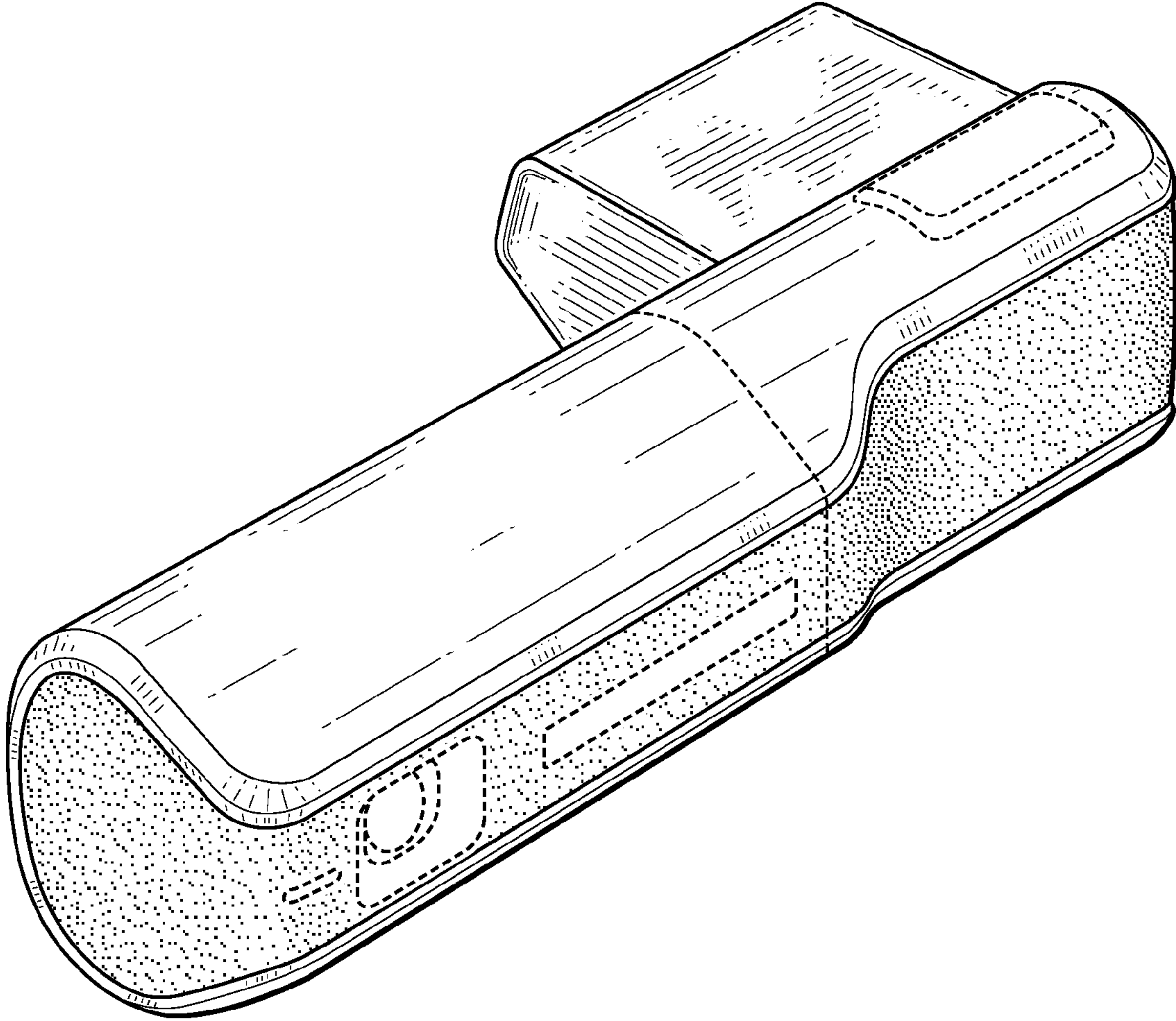


FIG. 1

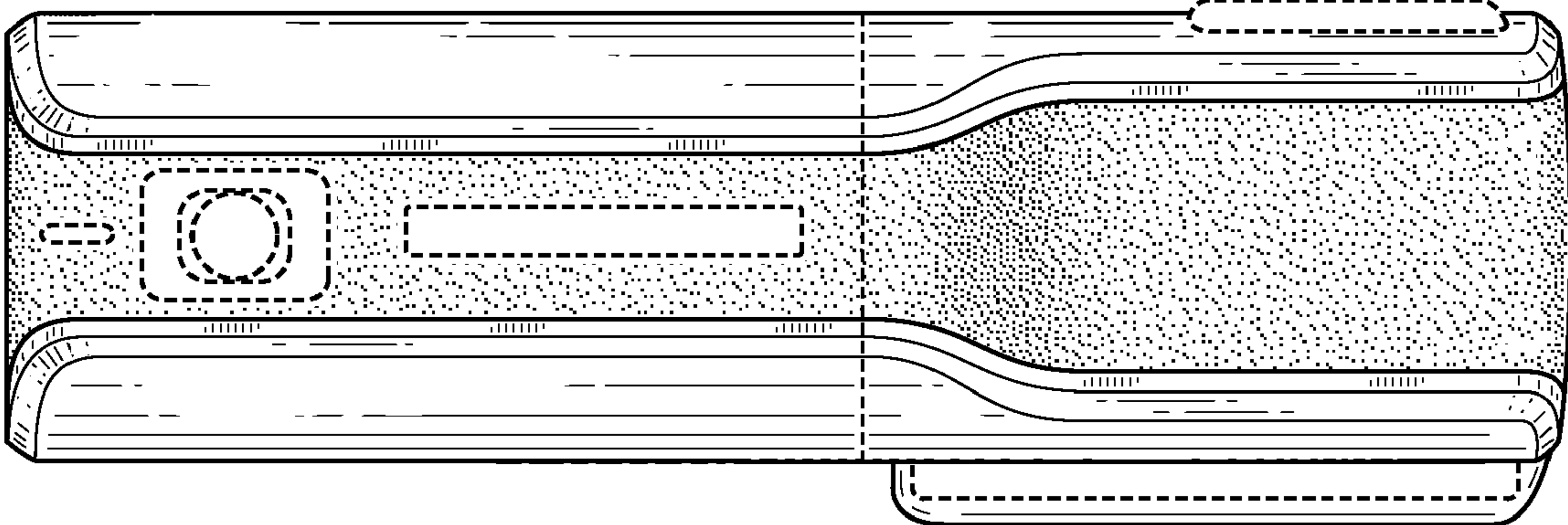


FIG. 2

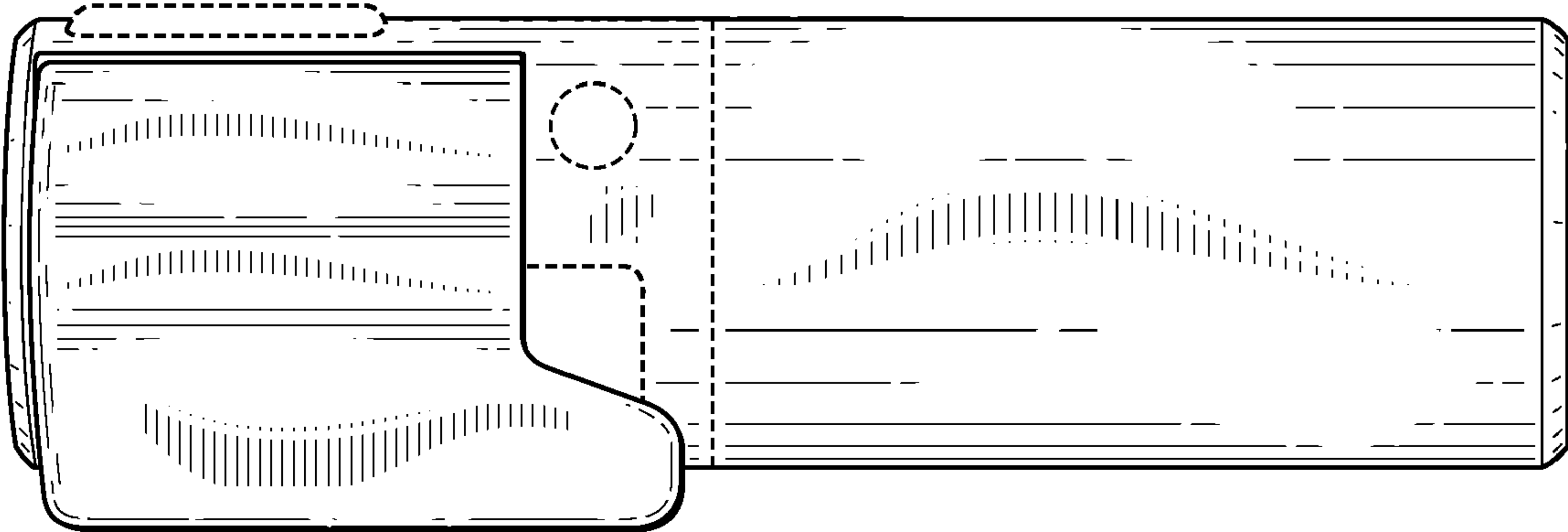


FIG. 3

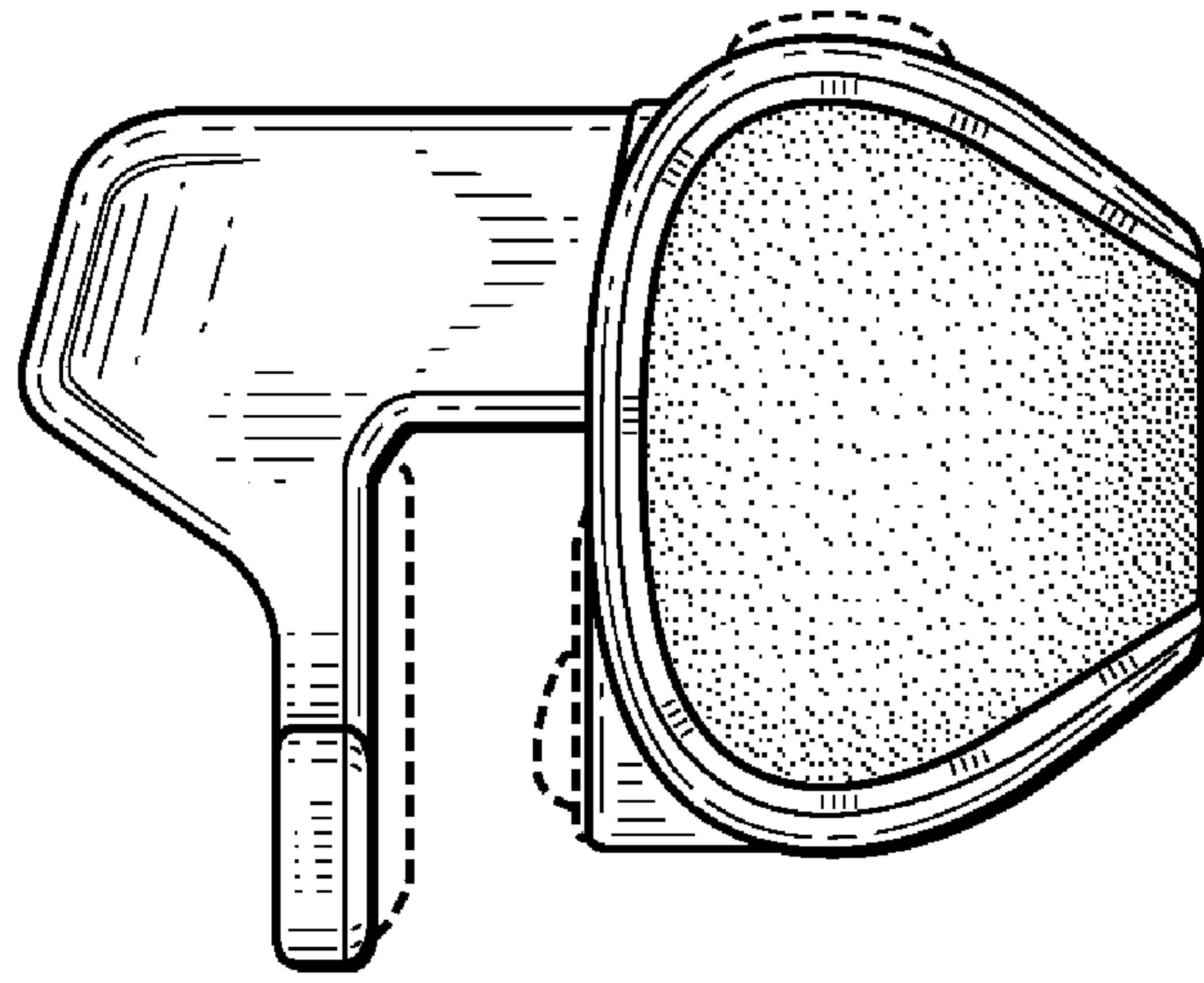


FIG. 4

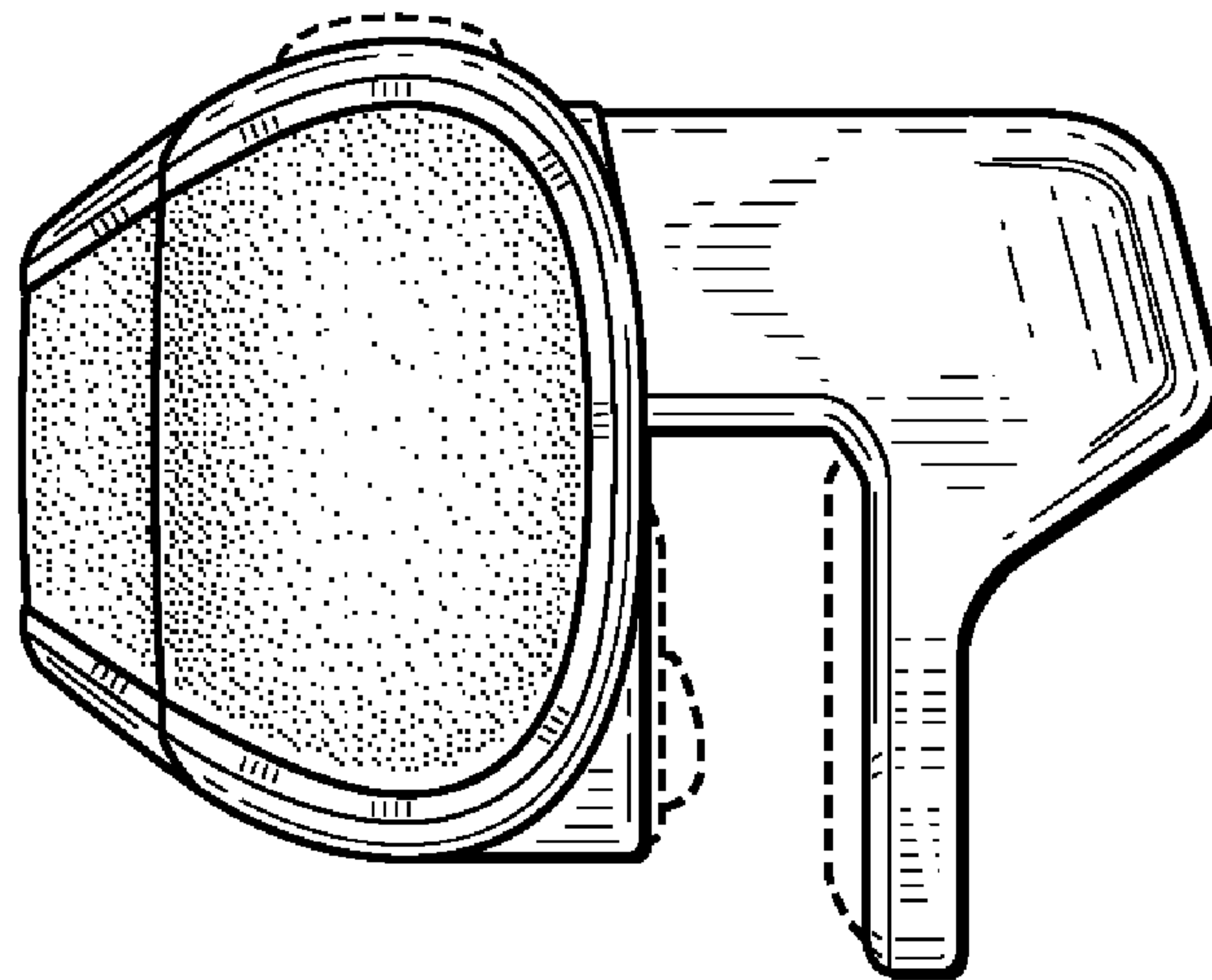


FIG. 5

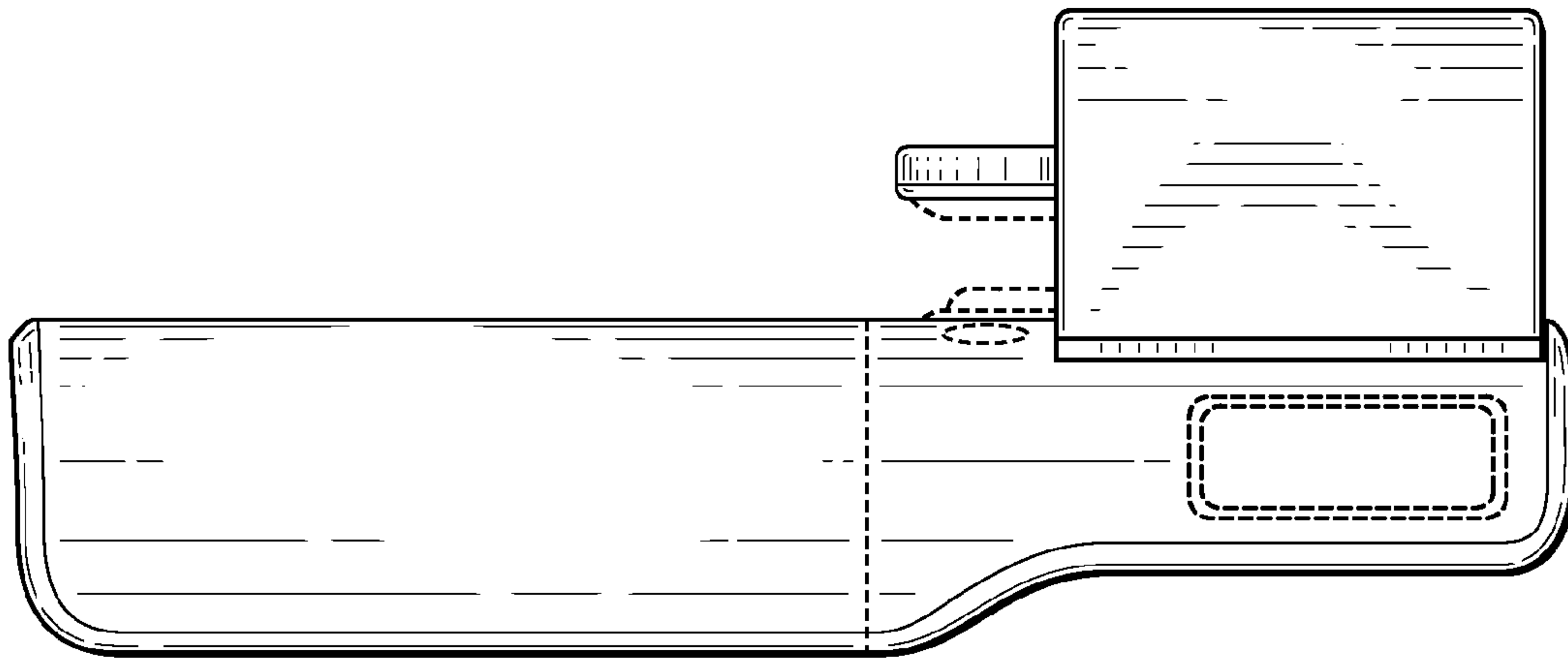


FIG. 6

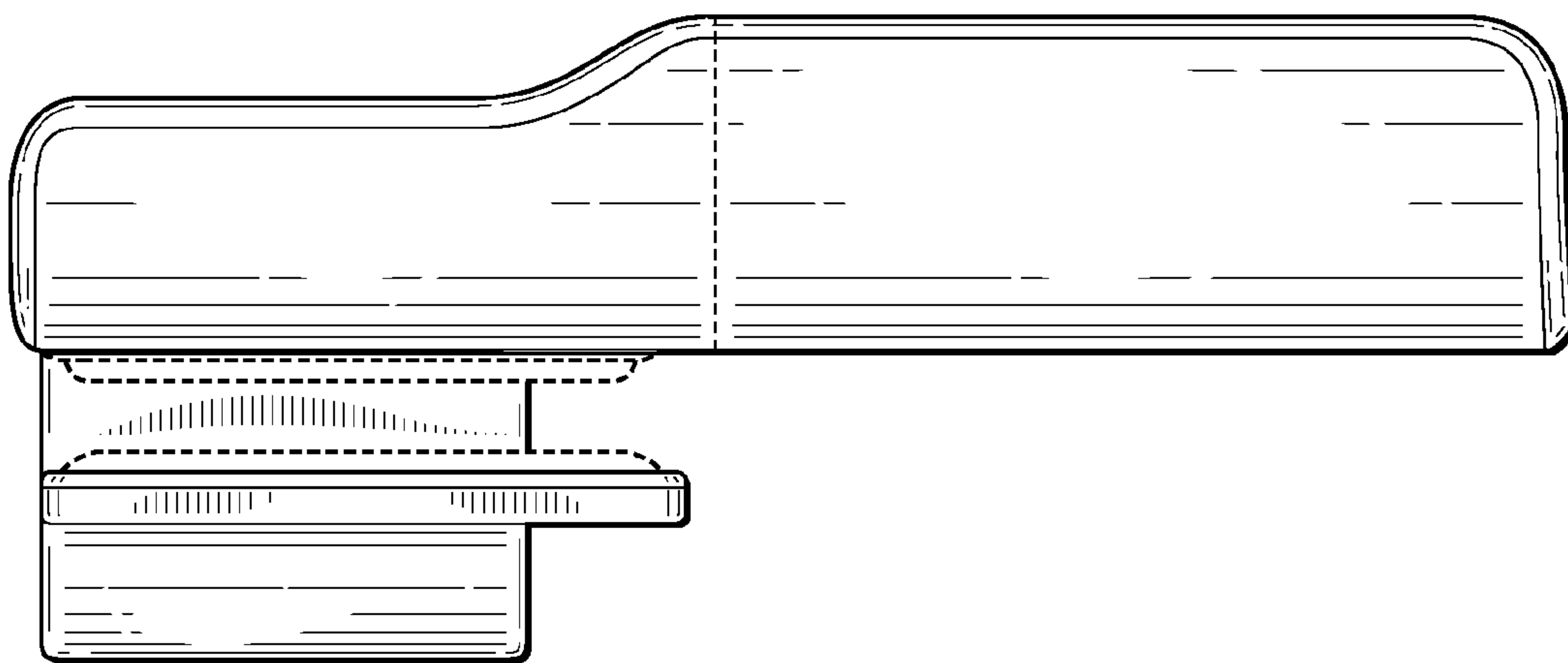


FIG. 7