



US00D576648S

(12) **United States Design Patent**
Shimobayashi

(10) **Patent No.:** **US D576,648 S**

(45) **Date of Patent:** **** Sep. 9, 2008**

(54) **DIGITAL CAMERA**

(75) Inventor: **Koji Shimobayashi**, Hachioji (JP)

(73) Assignee: **Olympus Imaging Corp.**, Tokyo (JP)

(**) Term: **14 Years**

(21) Appl. No.: **29/292,160**

(22) Filed: **Sep. 28, 2007**

(30) **Foreign Application Priority Data**

Aug. 10, 2007 (JP) 2007-022000

(51) **LOC (8) Cl.** **16-01**

(52) **U.S. Cl.** **D16/202**

(58) **Field of Classification Search** D16/200–204,
D16/208, 218; 348/373–376; 358/909.1;
396/535–541

See application file for complete search history.

(56) **References Cited**

U.S. PATENT DOCUMENTS

D496,380 S *	9/2004	Isomoto	D16/202
D516,599 S *	3/2006	Nakamura	D16/218
D534,564 S *	1/2007	Tainaka	D16/202
D535,314 S *	1/2007	Chang	D16/202
D546,854 S *	7/2007	Hayashi	D16/202

D553,658 S *	10/2007	Naito et al.	D16/202
D562,373 S *	2/2008	Nakamura	D16/202
D562,867 S *	2/2008	Inaba	D16/202
D566,741 S *	4/2008	Matsuda	D16/202

* cited by examiner

Primary Examiner—Adir Aronovich

(74) *Attorney, Agent, or Firm*—Frishauf, Holtz, Goodman & Chick, P.C.

(57) **CLAIM**

The ornamental design for a digital camera, as shown and described.

DESCRIPTION

FIG. 1 is a front, top and right side perspective view of a digital camera showing my new design in accordance with an embodiment;

FIG. 2 is a front elevational view thereof;

FIG. 3 is a rear elevational view thereof;

FIG. 4 is a top plan view thereof;

FIG. 5 is a bottom plan view thereof;

FIG. 6 is a right side elevational view thereof; and,

FIG. 7 is a left side elevational view thereof.

1 Claim, 4 Drawing Sheets

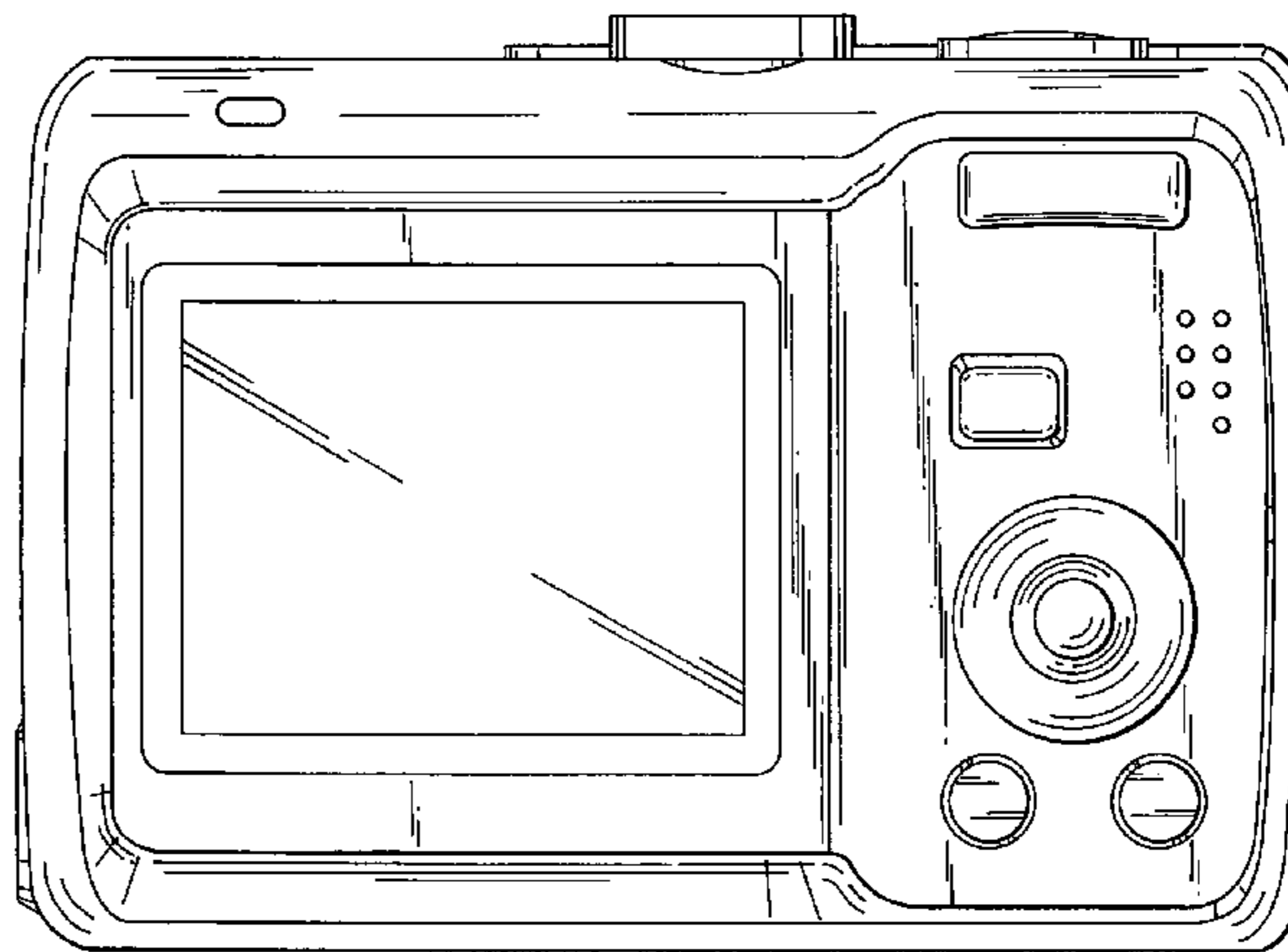
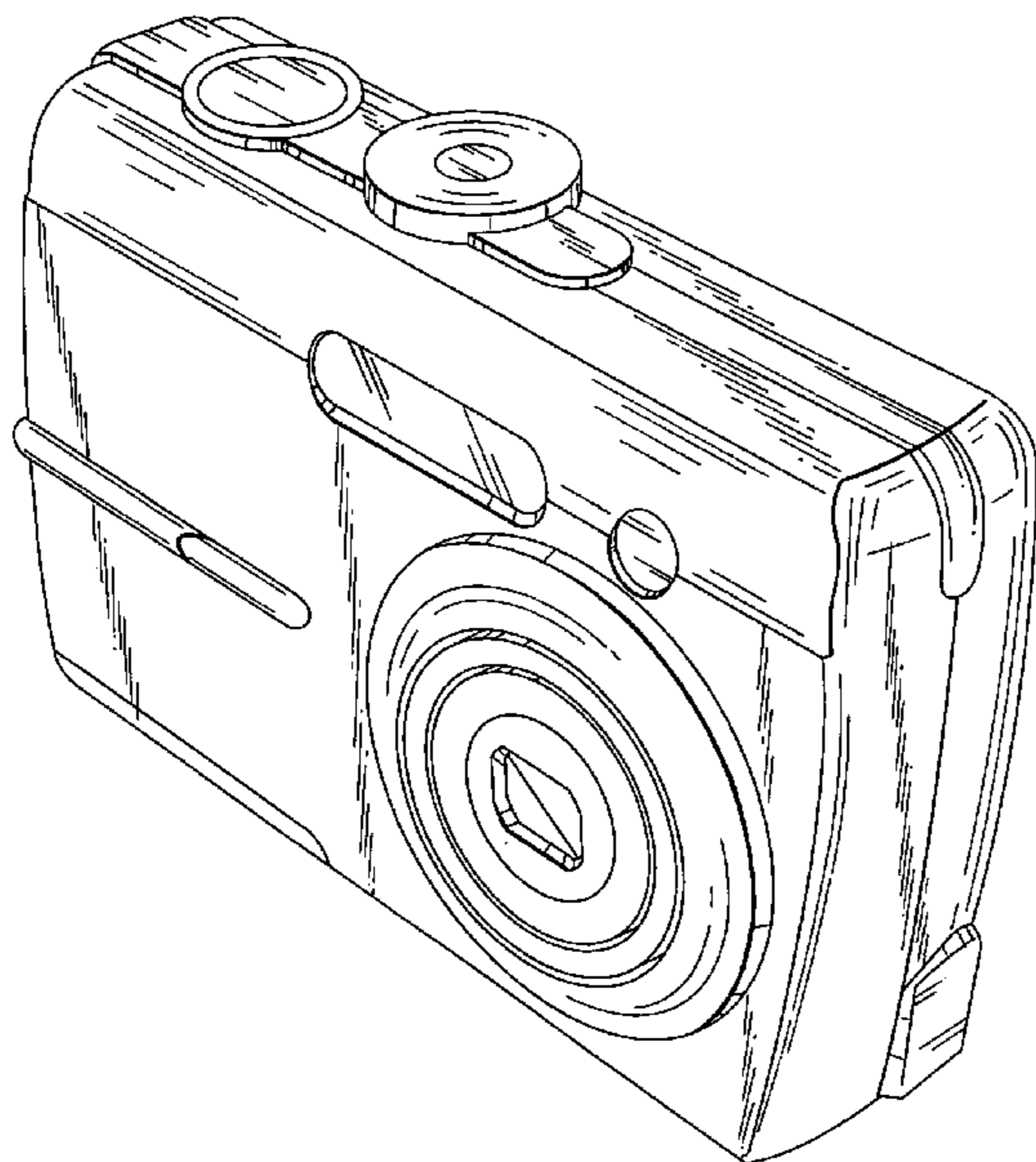


FIG. 1

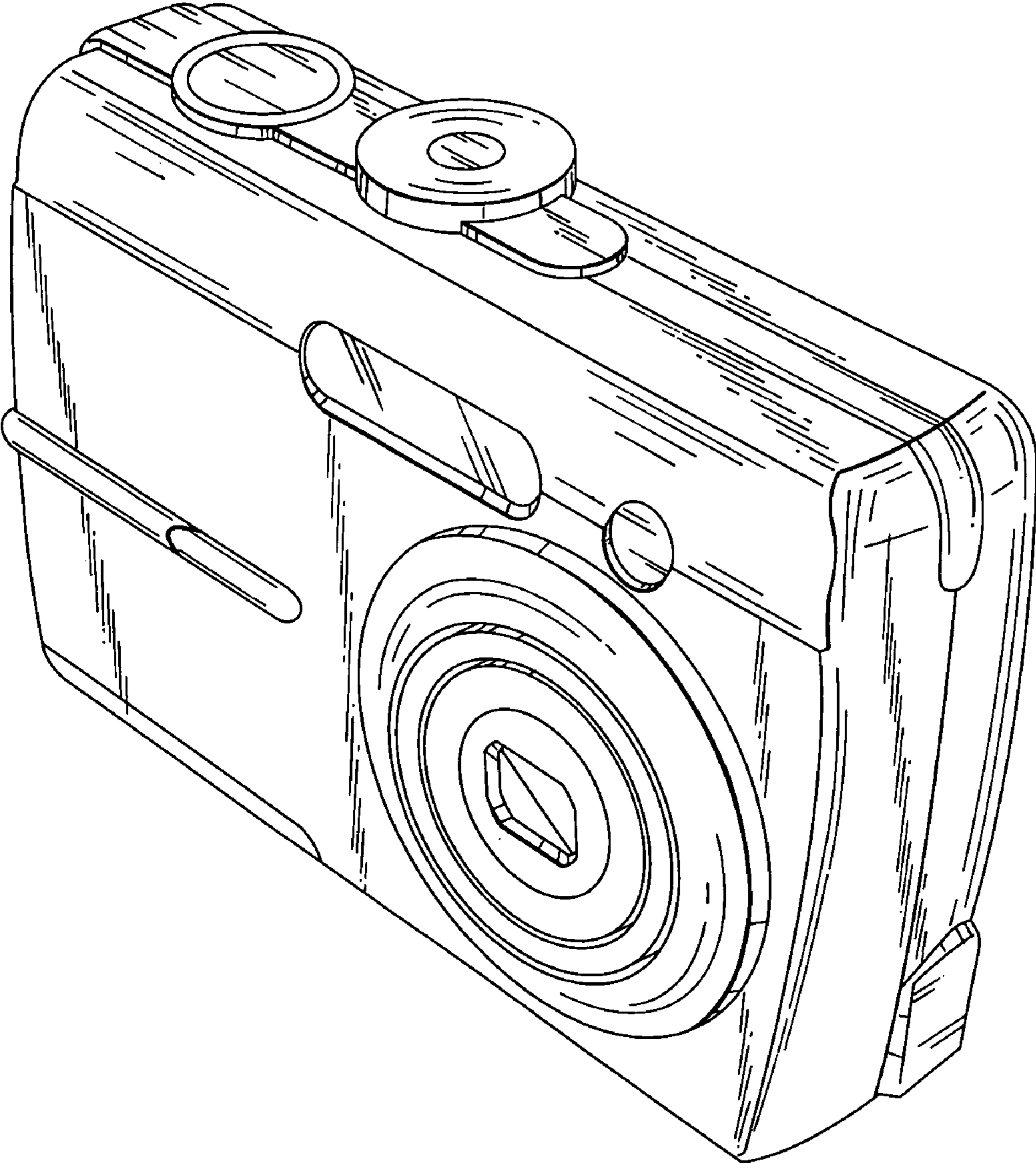


FIG.2

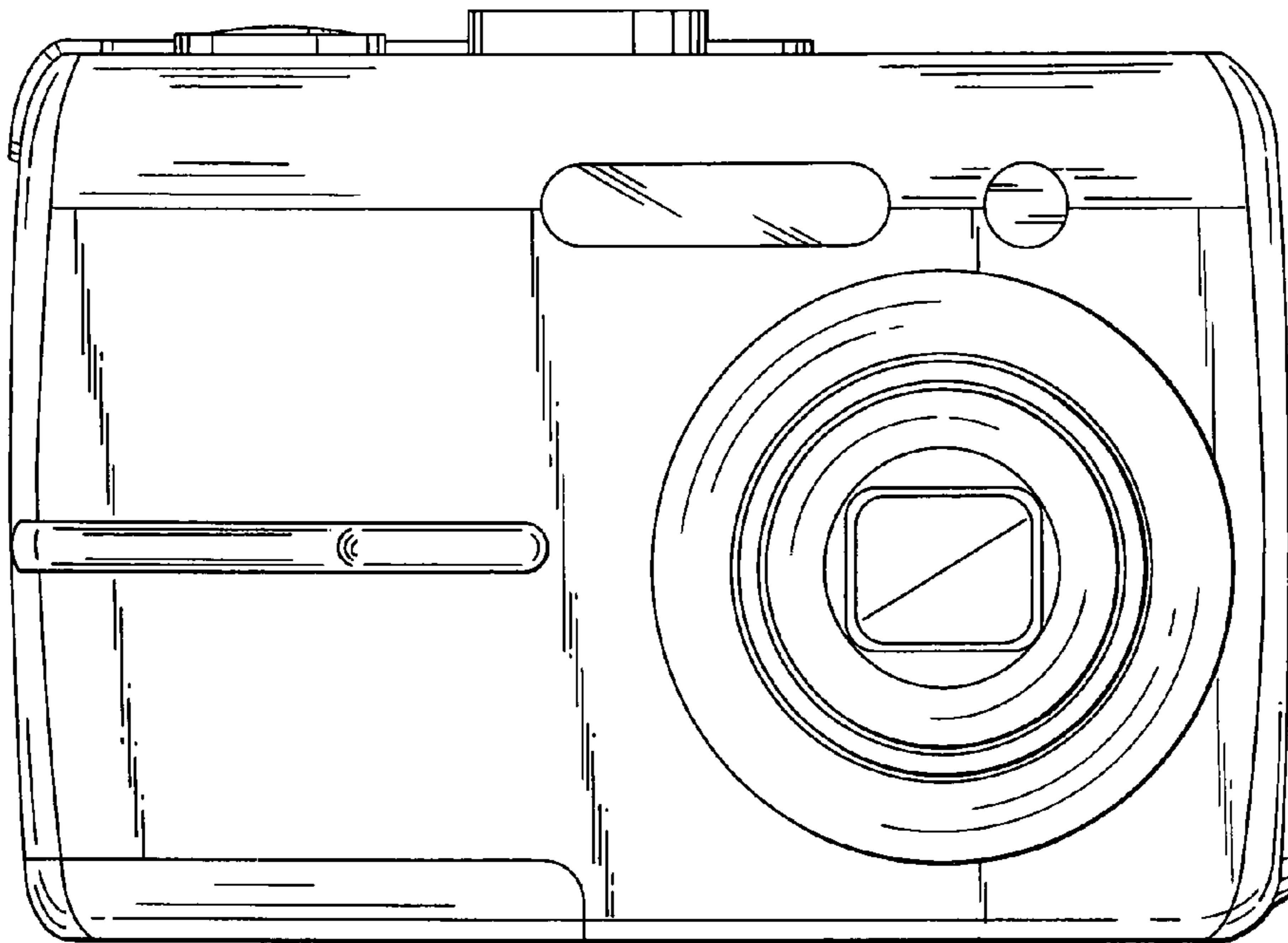


FIG.3

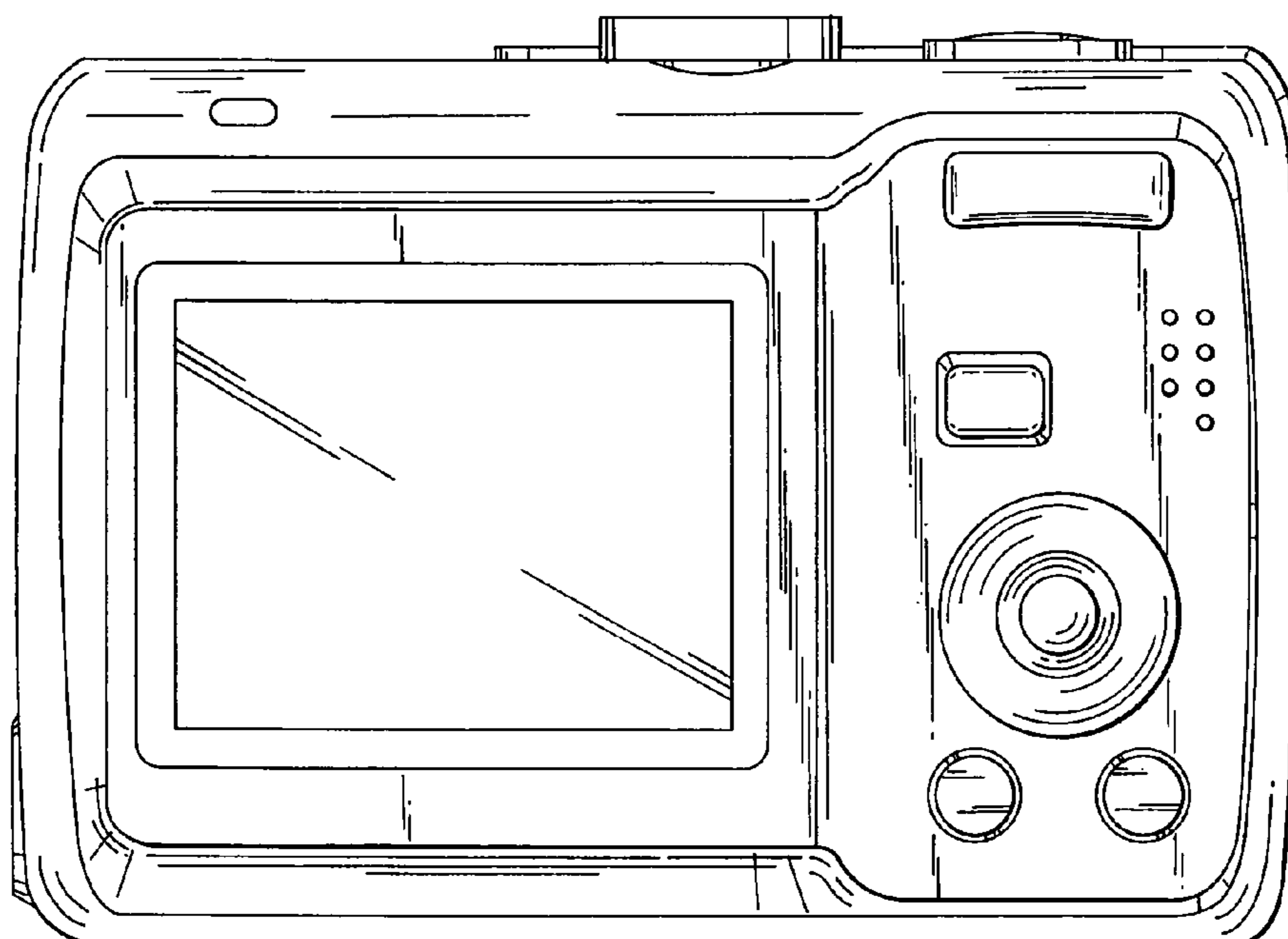


FIG.4

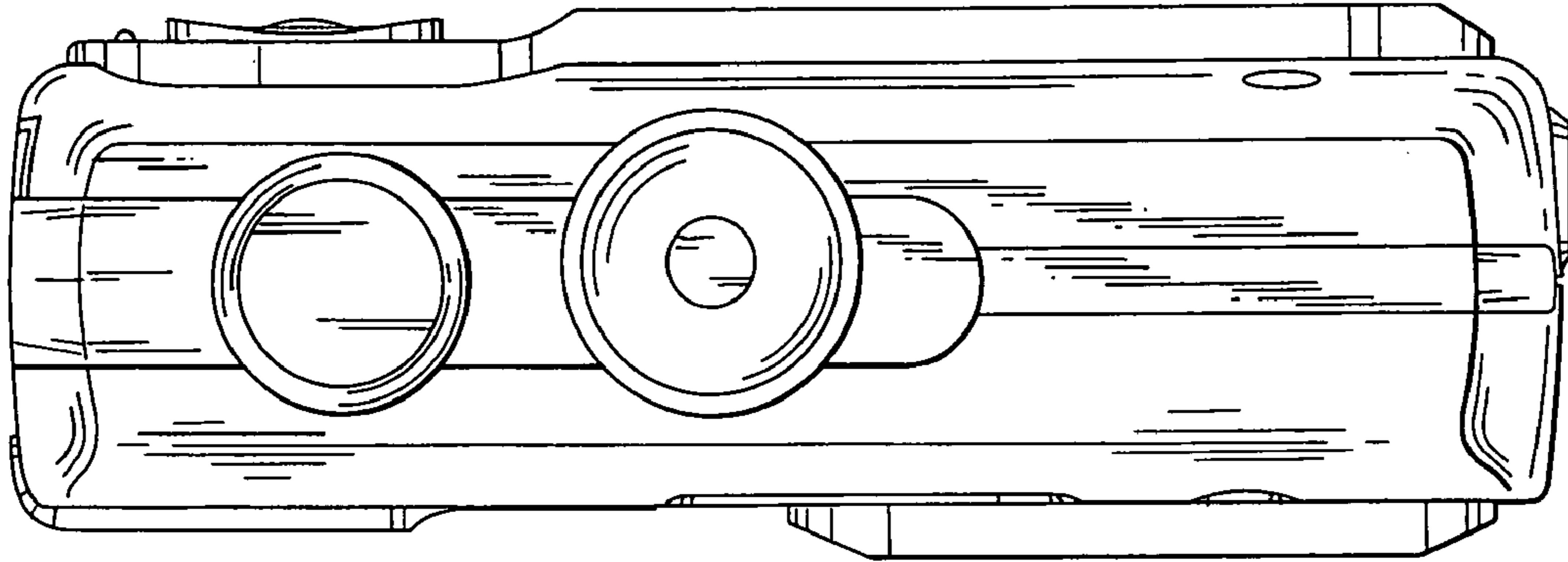


FIG.5

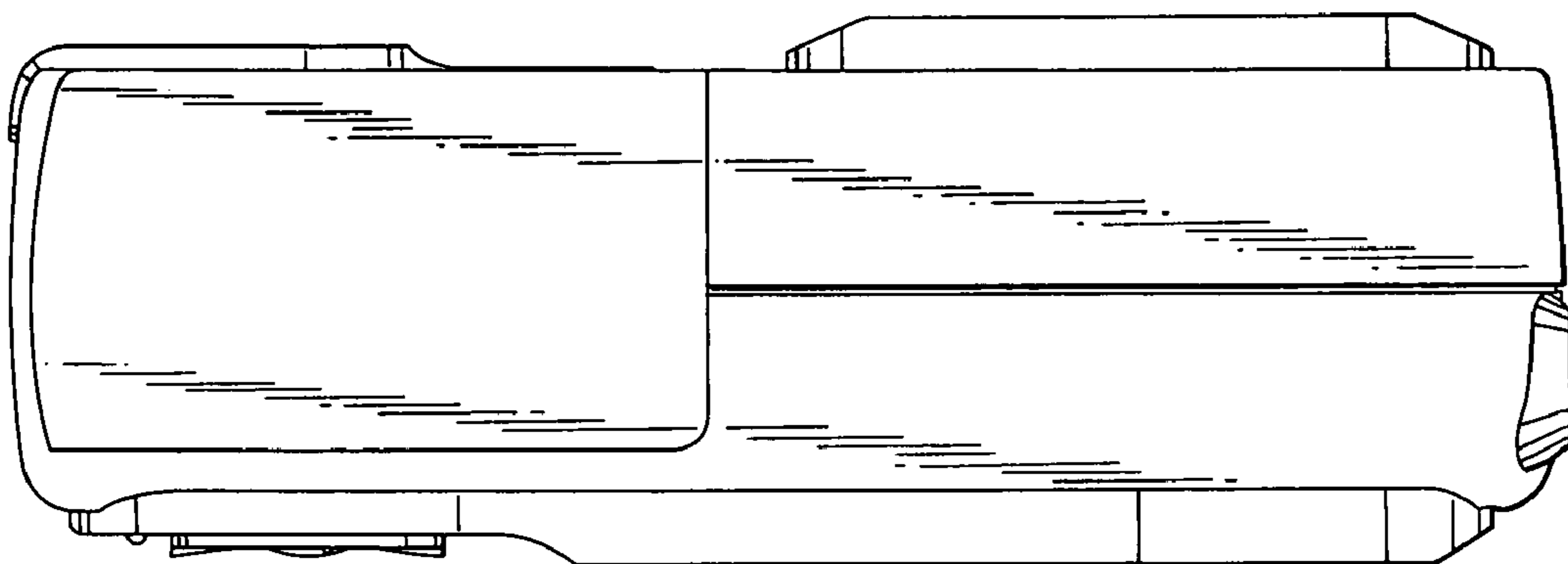


FIG.6

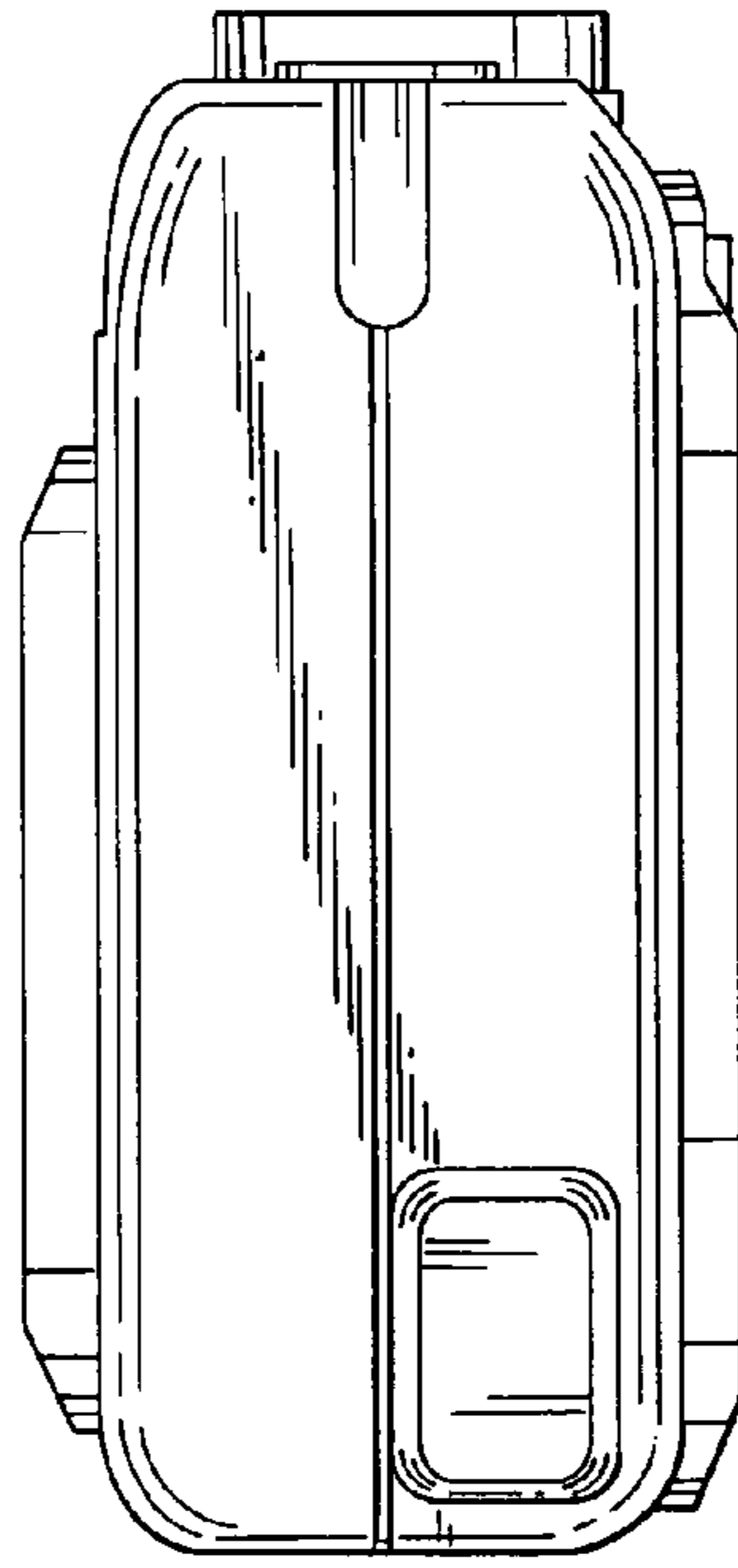


FIG.7

