



US00D576645S

(12) **United States Design Patent**
Sugata et al.

(10) **Patent No.:** **US D576,645 S**
(45) **Date of Patent:** **** Sep. 9, 2008**

(54) **COLUMN FOR MACHINING CENTER**

(75) Inventors: **Shinsuke Sugata**, Fukuyama (JP);
Yoshinori Seo, Fukuyama (JP)

(73) Assignee: **Horkos Corp**, Fukuyama (JP)

(**) Term: **14 Years**

(21) Appl. No.: **29/290,284**

(22) Filed: **Nov. 15, 2007**

(30) **Foreign Application Priority Data**

Jun. 22, 2007 (JP) 2007-016641

(51) **LOC (8) Cl.** **15-09**

(52) **U.S. Cl.** **D15/122**

(58) **Field of Classification Search** D15/122,
D15/124, 127, 128, 130, 131; 29/26 A, 26 R,
29/30, 33 A-33 T, 34 R, 39, 50, 563-566,
29/564.1-564.8; 483/17-57

See application file for complete search history.

(56) **References Cited**

U.S. PATENT DOCUMENTS

4,516,311	A *	5/1985	Takakuwa et al.	483/39
4,642,861	A *	2/1987	Riley et al.	29/38 A
5,134,762	A *	8/1992	Scott	29/26 A
5,323,572	A *	6/1994	Guenin	451/21
6,203,478	B1 *	3/2001	Gorrochategui	483/31
6,519,823	B1 *	2/2003	Sugata et al.	29/26 A
7,266,871	B2 *	9/2007	Takeuchi et al.	29/27 C
D553,653	S *	10/2007	Kai	D15/122
2002/0078541	A1 *	6/2002	Ohmori et al.	29/26 A
2003/0126728	A1 *	7/2003	Watanabe	29/48.5 R
2007/0251071	A1 *	11/2007	Ota	29/27 C

* cited by examiner

Primary Examiner—Sandra Snapp

Assistant Examiner—Patricia Palasik

(74) *Attorney, Agent, or Firm*—Merek, Blackmon & Voorhees, LLC

(57) **CLAIM**

The ornamental design for a column for machining center, as shown and described.

DESCRIPTION

FIG. 1 is a front elevation of a column for machining center in place in a machining center and showing the design;

FIG. 2 is a top plan view of the column for machining center of FIG. 1 in place in a machining center;

FIG. 3 is a left side elevation of the column for machining center of FIG. 1 in place in a machining center;

FIG. 4 is a right side elevation of the column for machining center of FIG. 1 in place in a machining center;

FIG. 5 is a rear elevation of the column for machining center of FIG. 1 in place in a machining center;

FIG. 6 is a perspective view taken from the front, top and right side of the column for machining center of FIG. 1 in place in a machining center;

FIG. 7 is a front elevation of the column for machining center of FIG. 1 showing the design;

FIG. 8 is a top plan view of the column for machining center of FIG. 7;

FIG. 9 is a left side elevation of the column for machining center of FIG. 7;

FIG. 10 is a right side elevation of the column for machining center of FIG. 7;

FIG. 11 is a rear elevation of the column for machining center of FIG. 7;

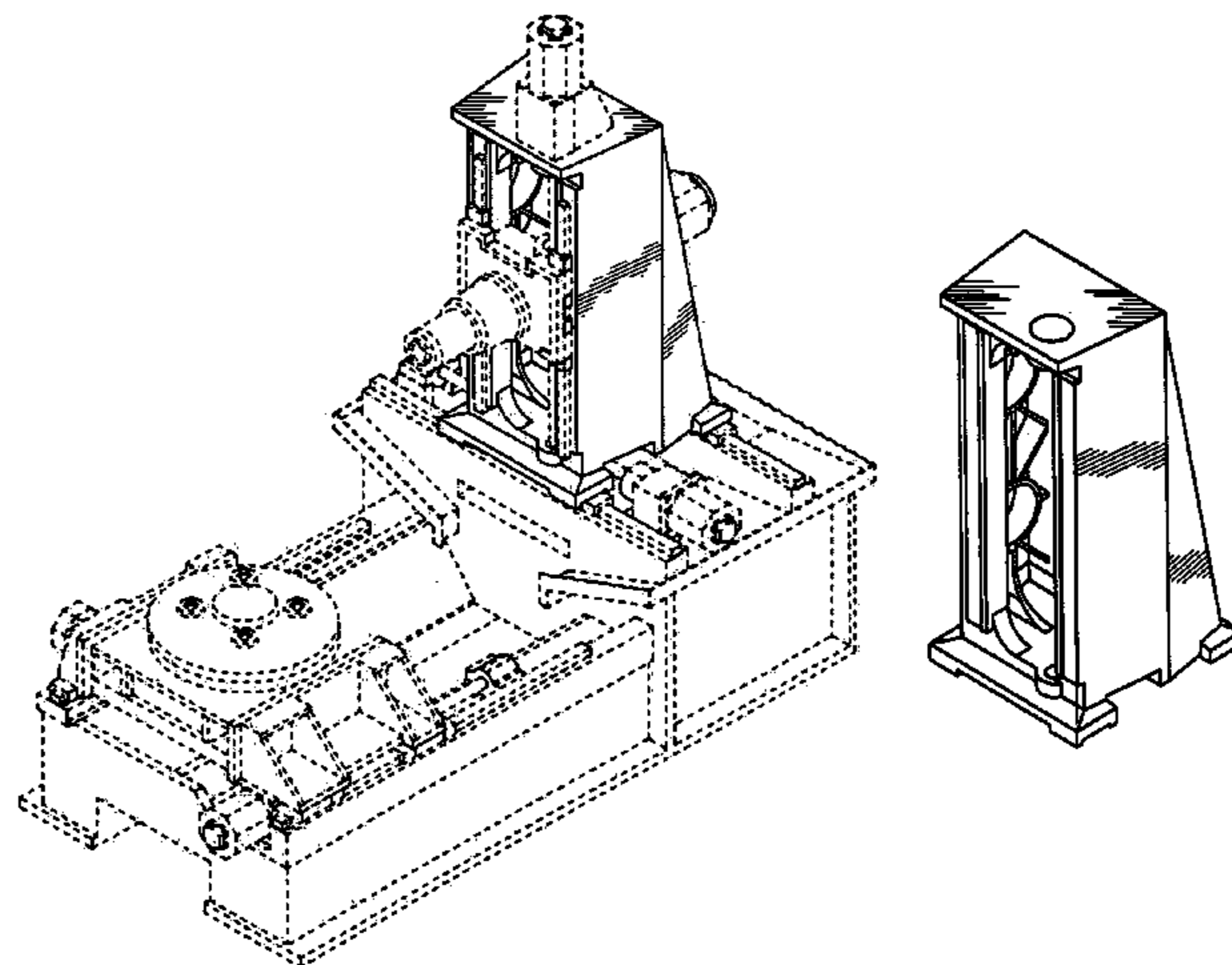
FIG. 12 is a bottom plan view of the column for machining center of FIG. 7;

FIG. 13 is a sectional view taken along the line 13—13 in FIG. 7; and,

FIG. 14 is a perspective view taken from the rear, top and right side of the column for machining center of FIG. 7.

The broken line showing of the machining center in FIGS. 1-6 is included for the purpose of illustrating the environment of the column for machining center and forms no part of the claimed design.

1 Claim, 14 Drawing Sheets



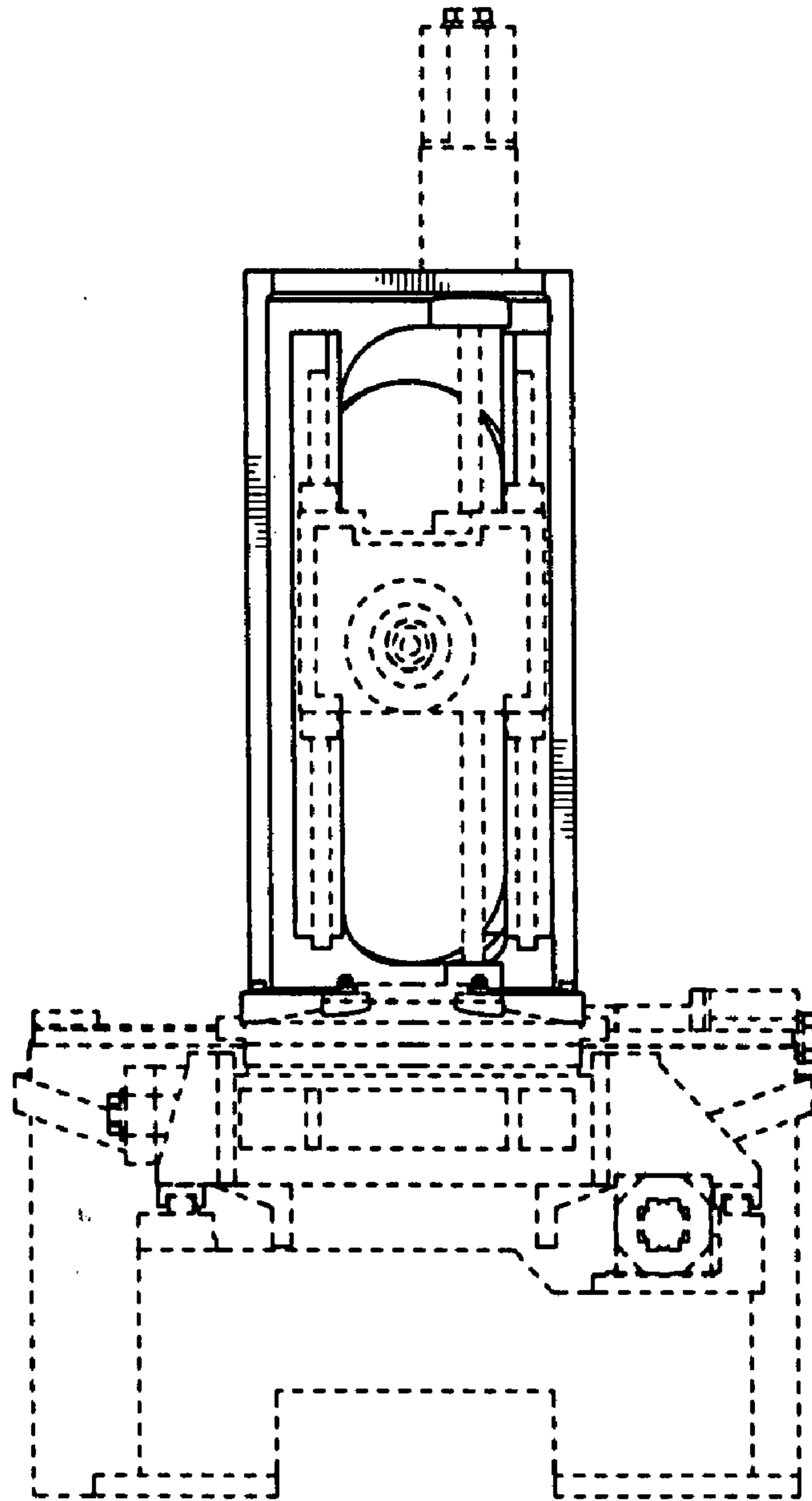


FIG. 1

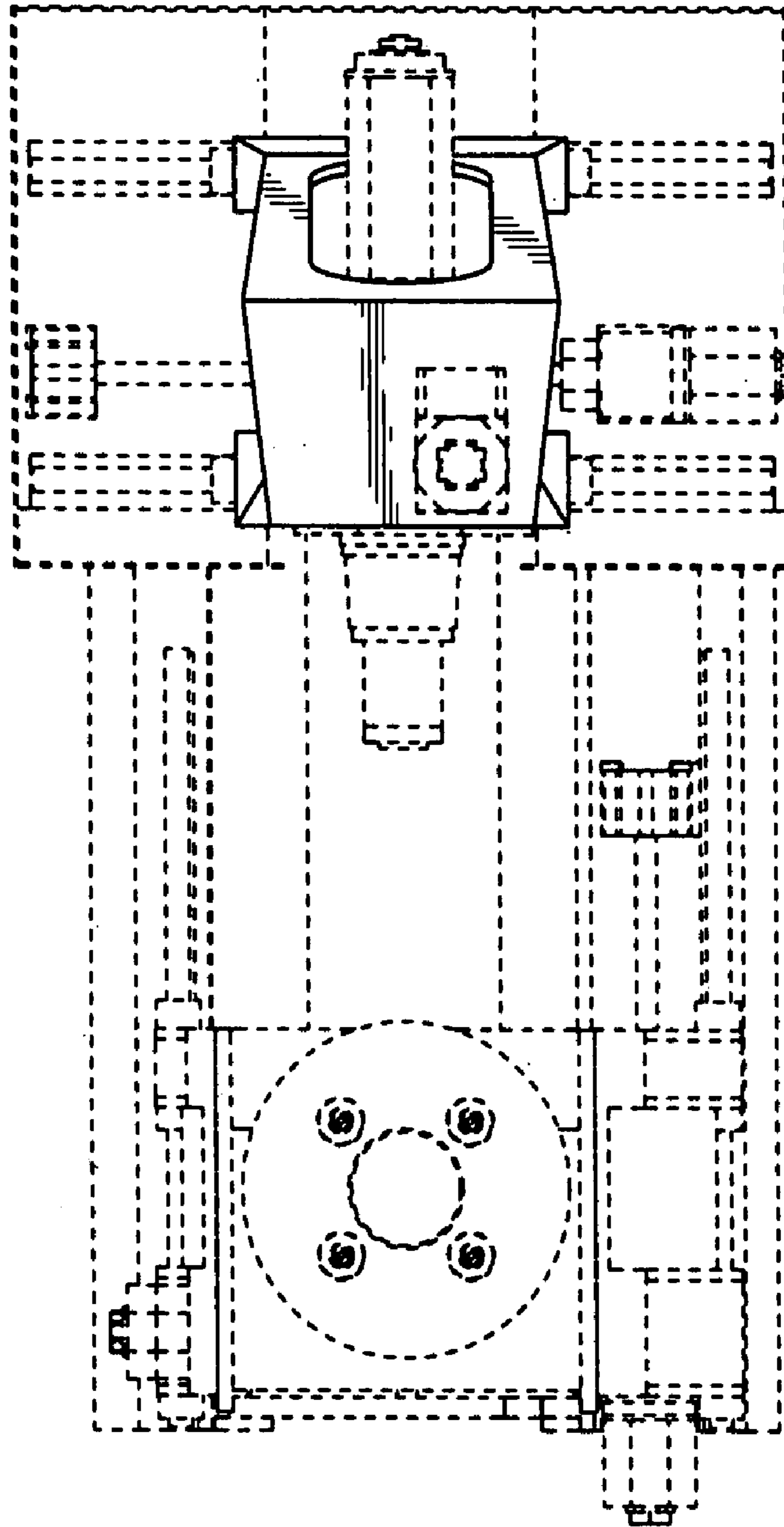


FIG. 2

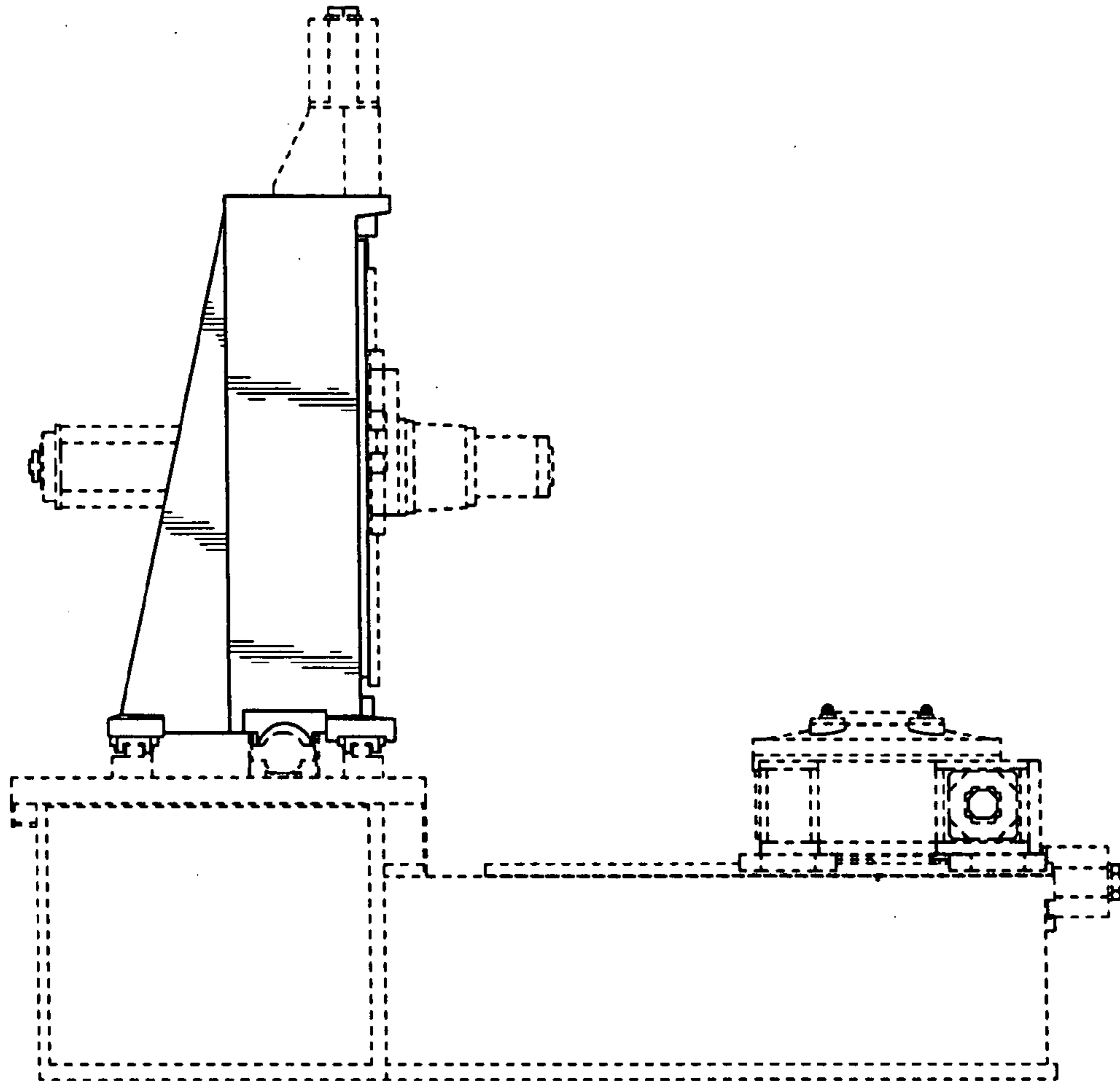


FIG. 3

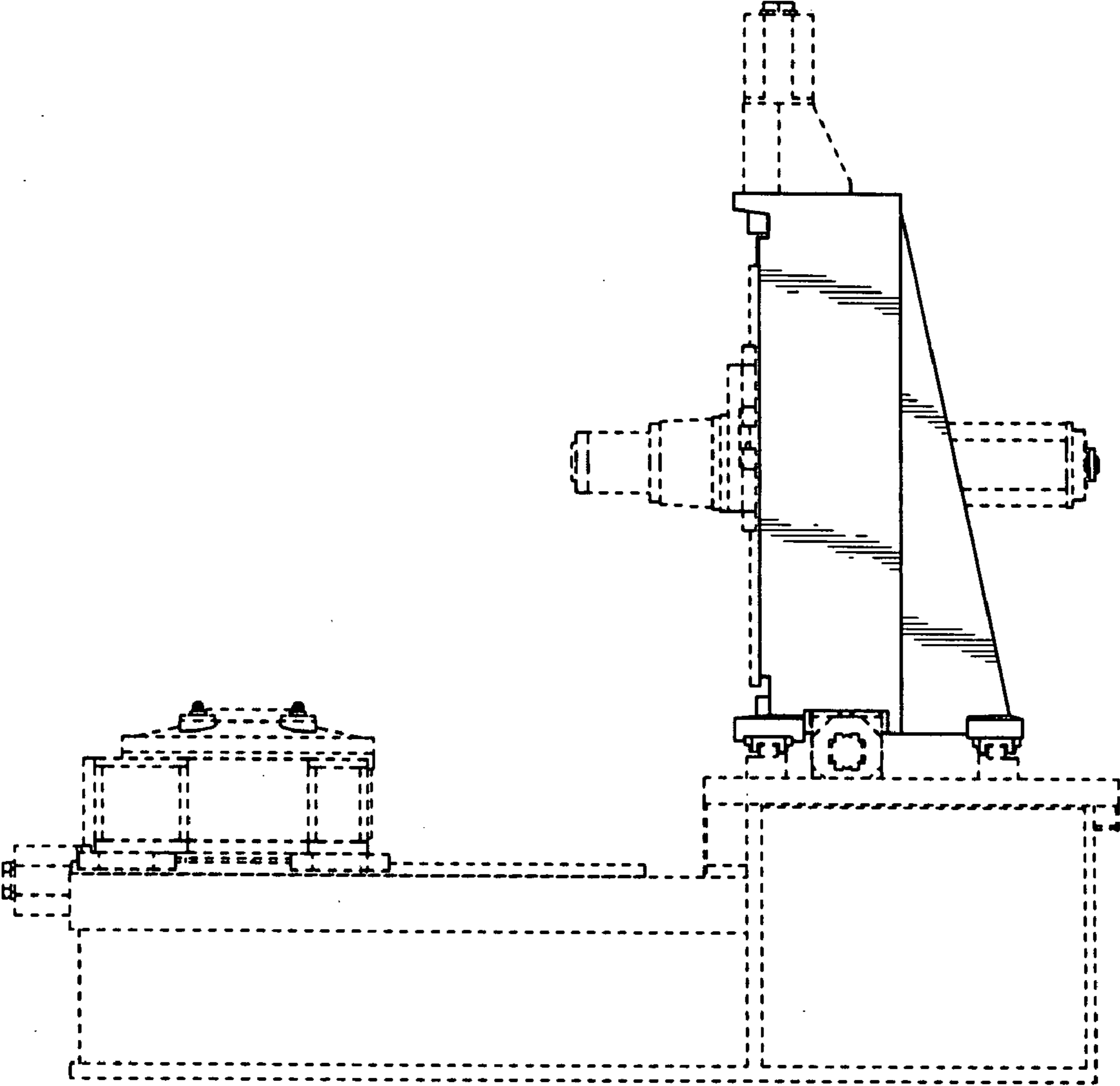


FIG. 4

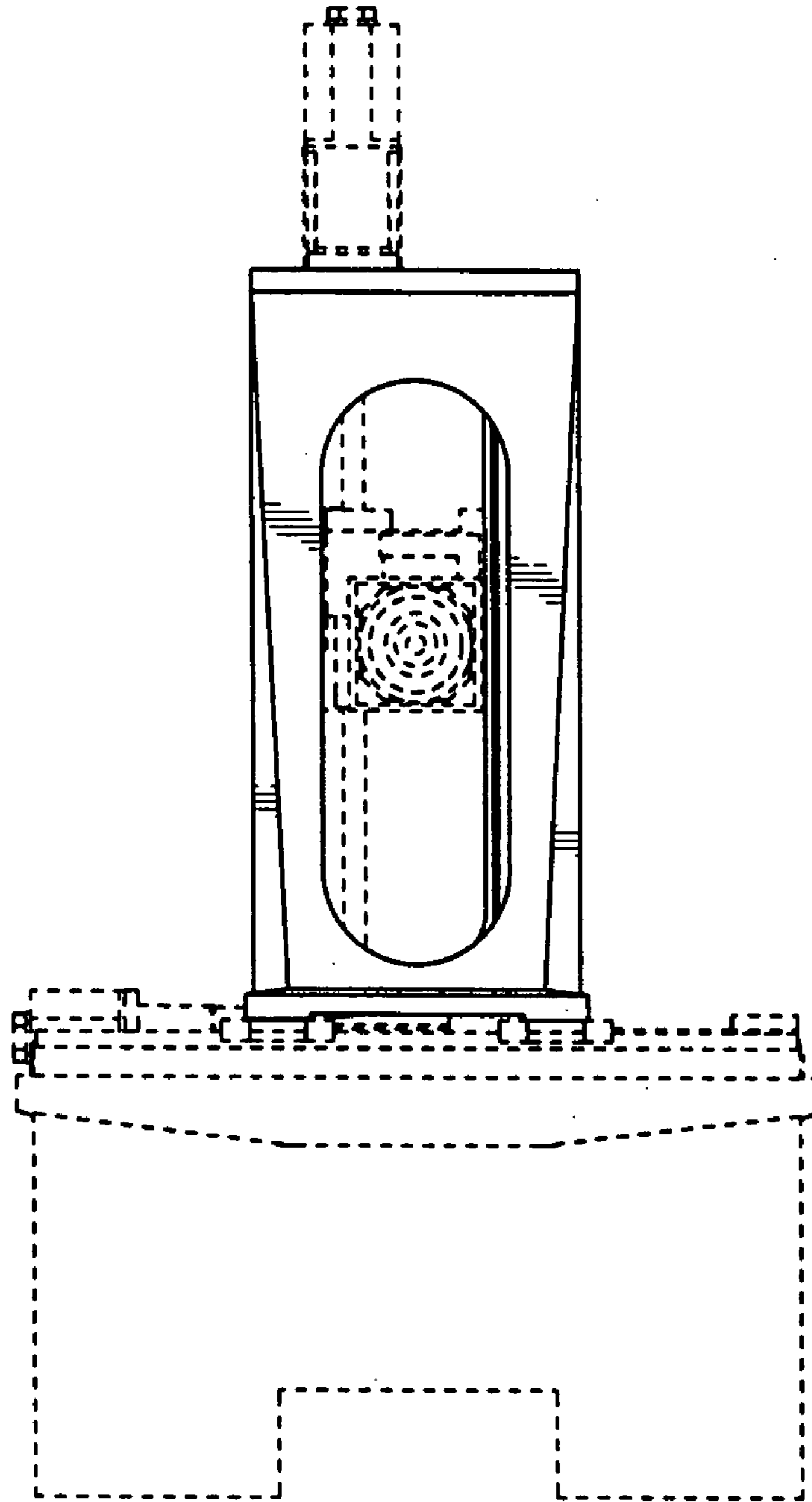


FIG. 5

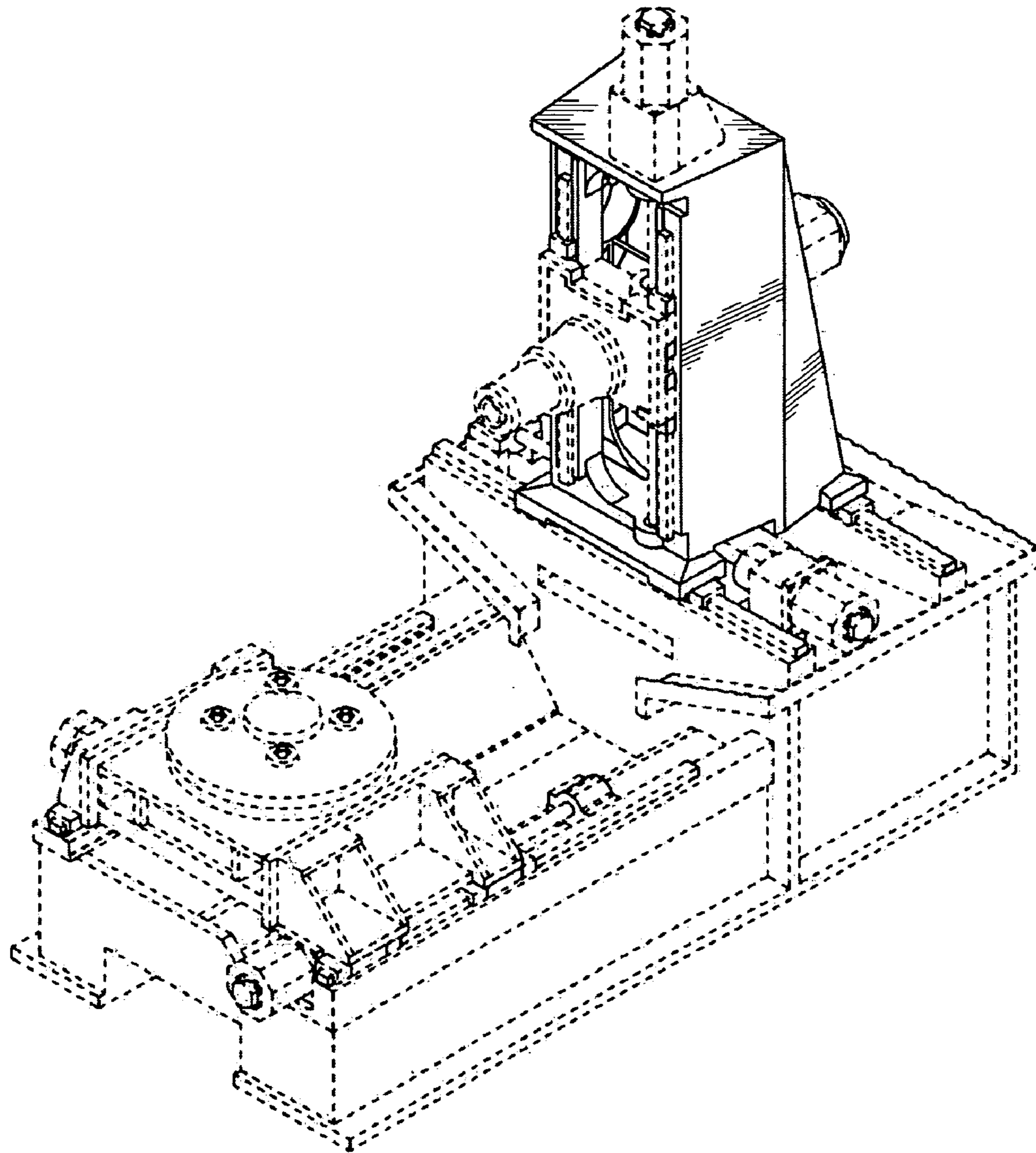


FIG. 6

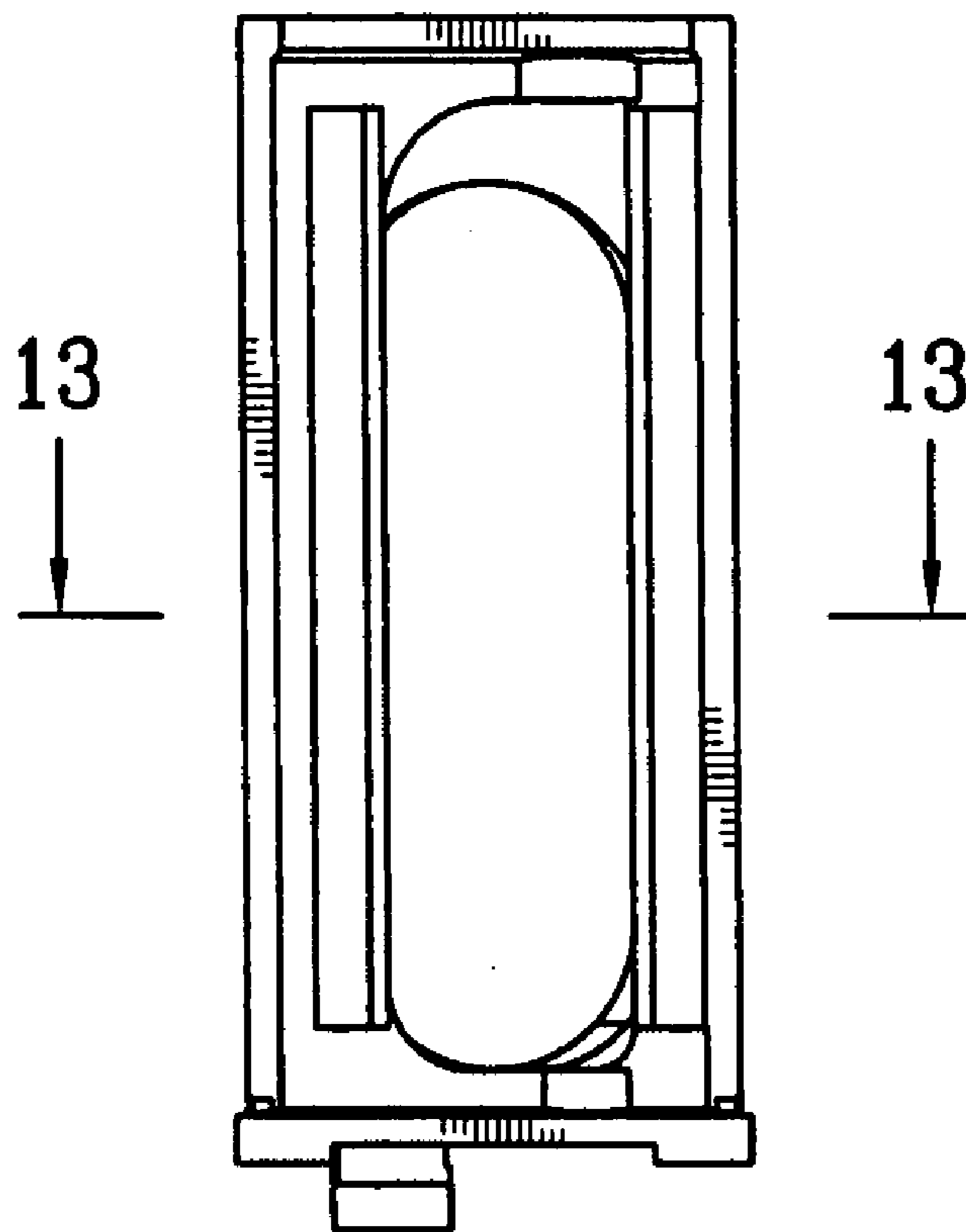


FIG. 7

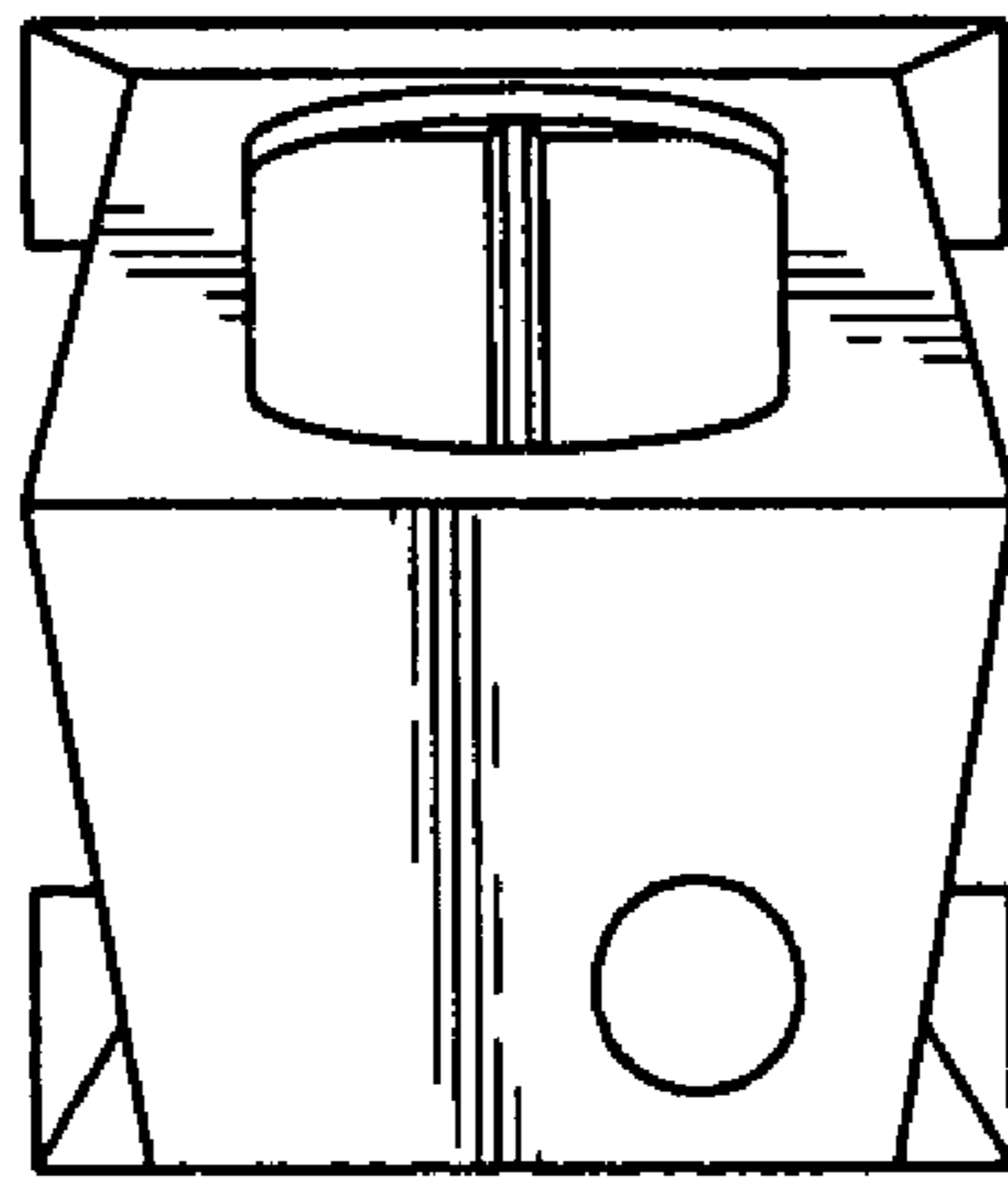


FIG. 8

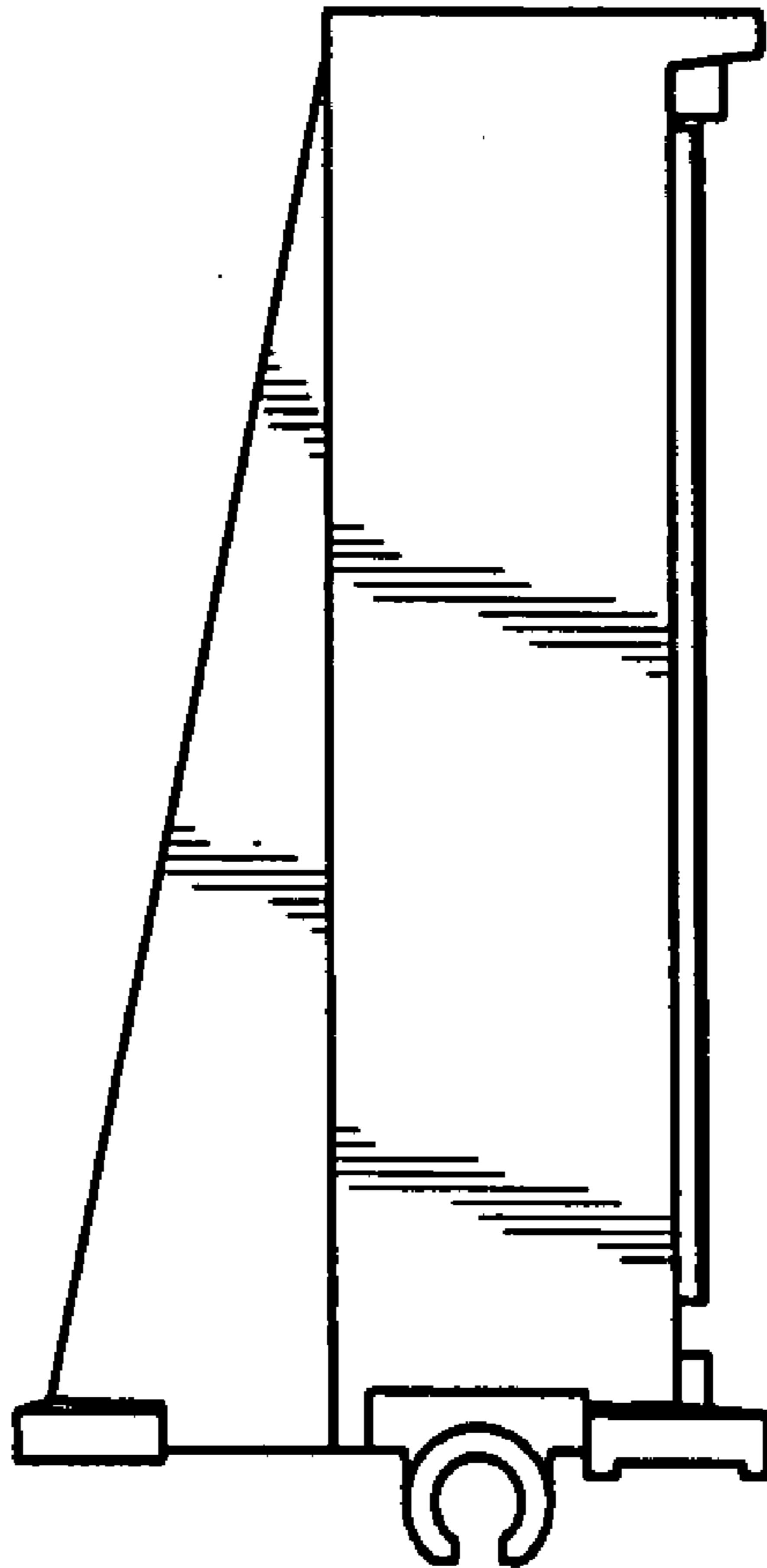


FIG. 9

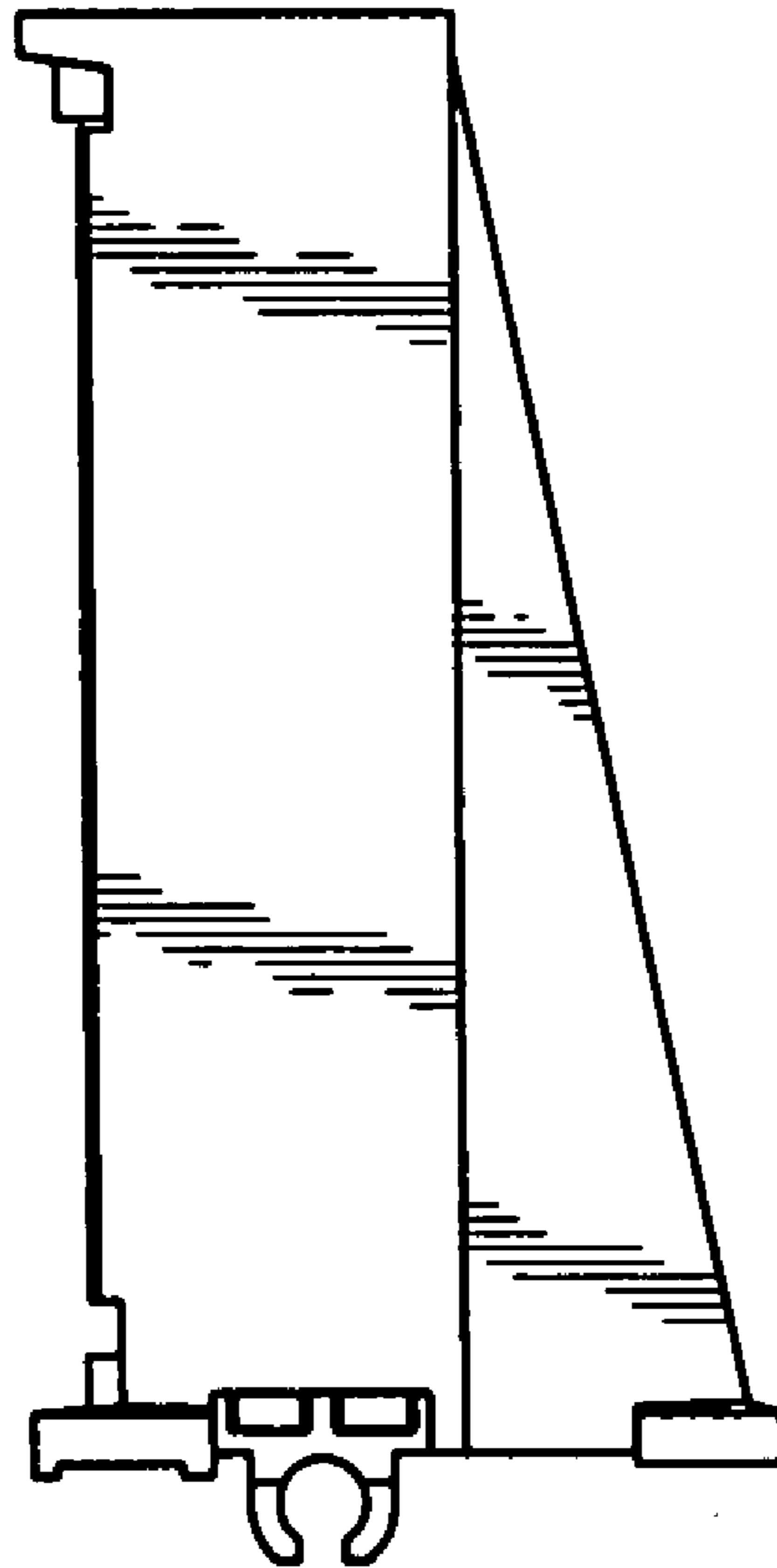


FIG. 10

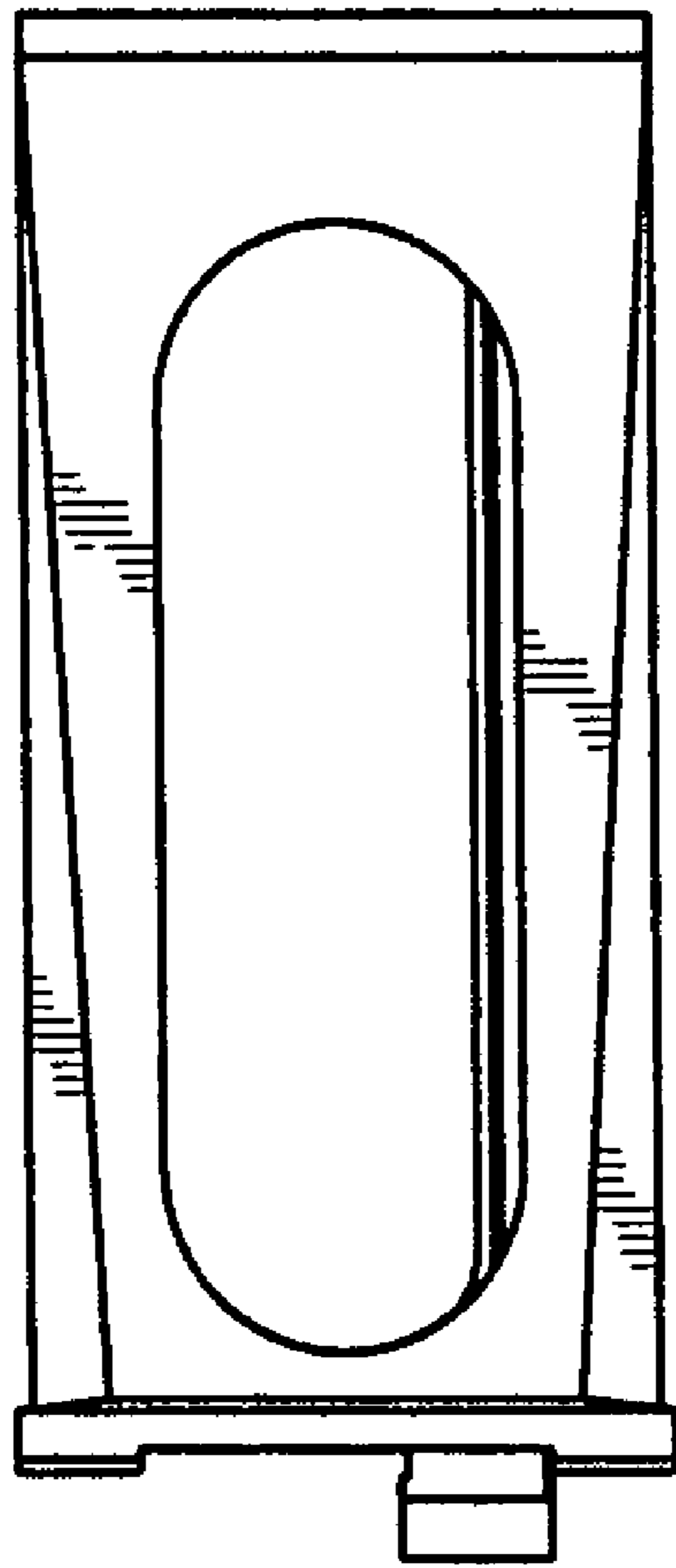


FIG. 11

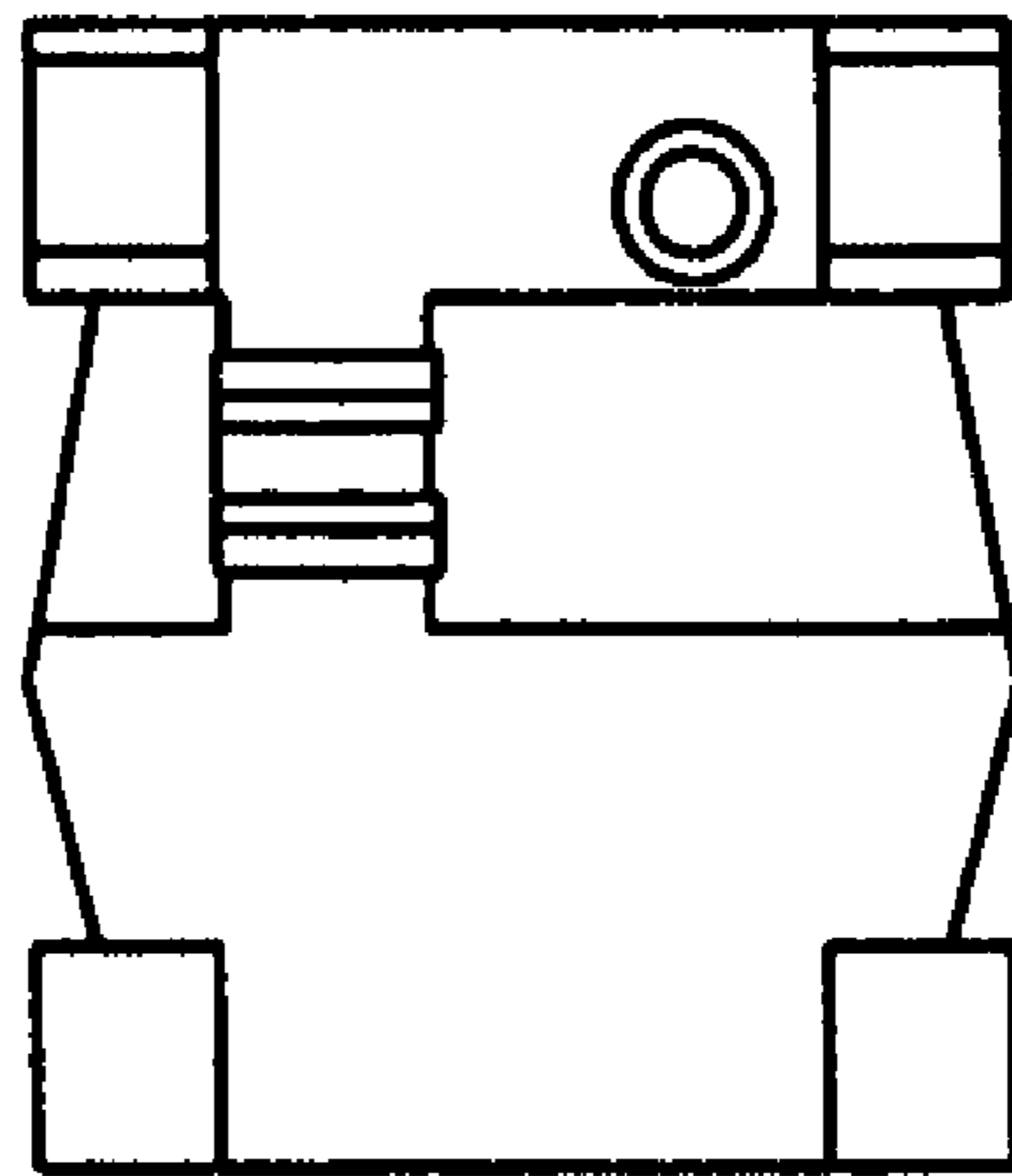


FIG. 12

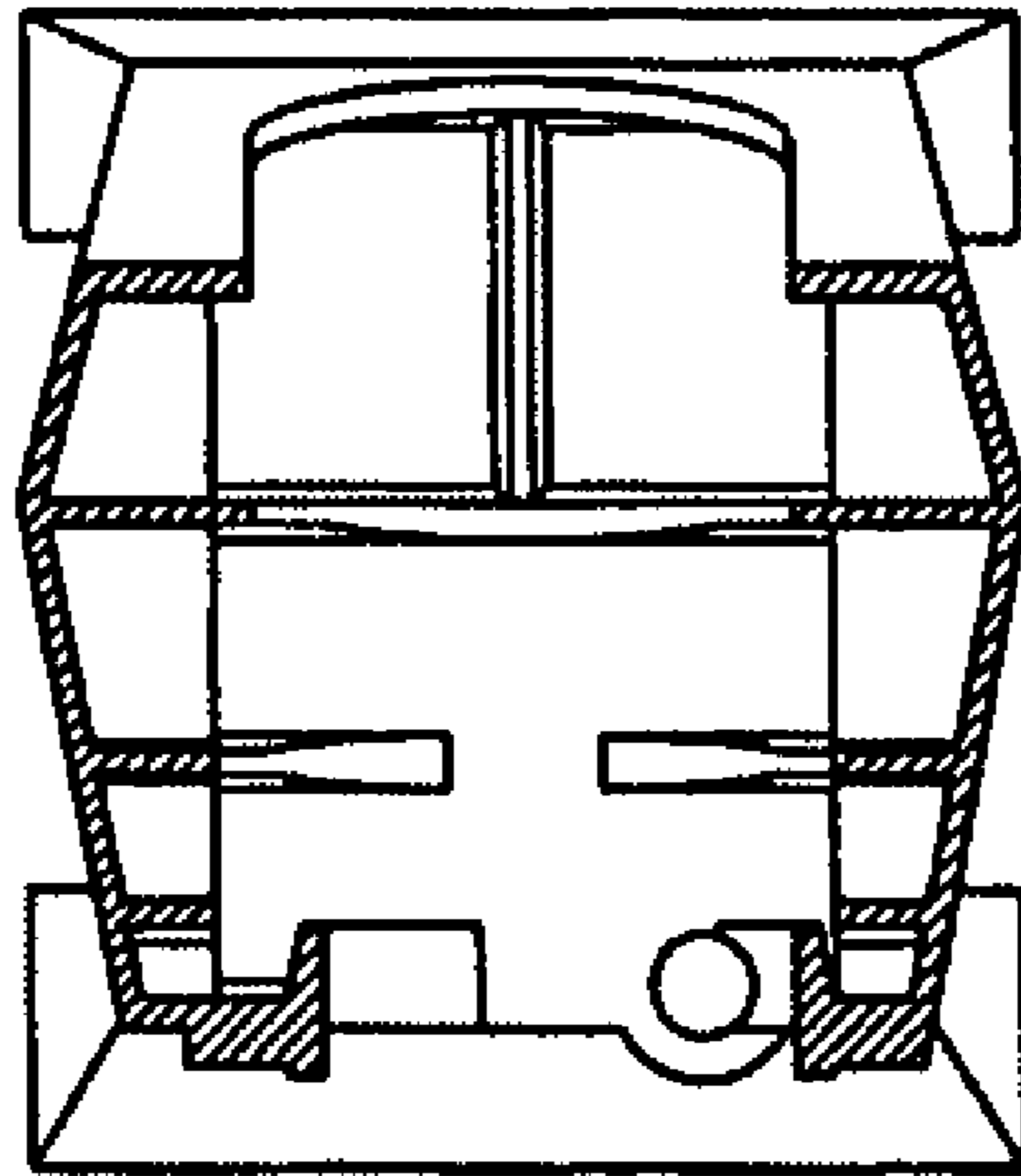


FIG. 13

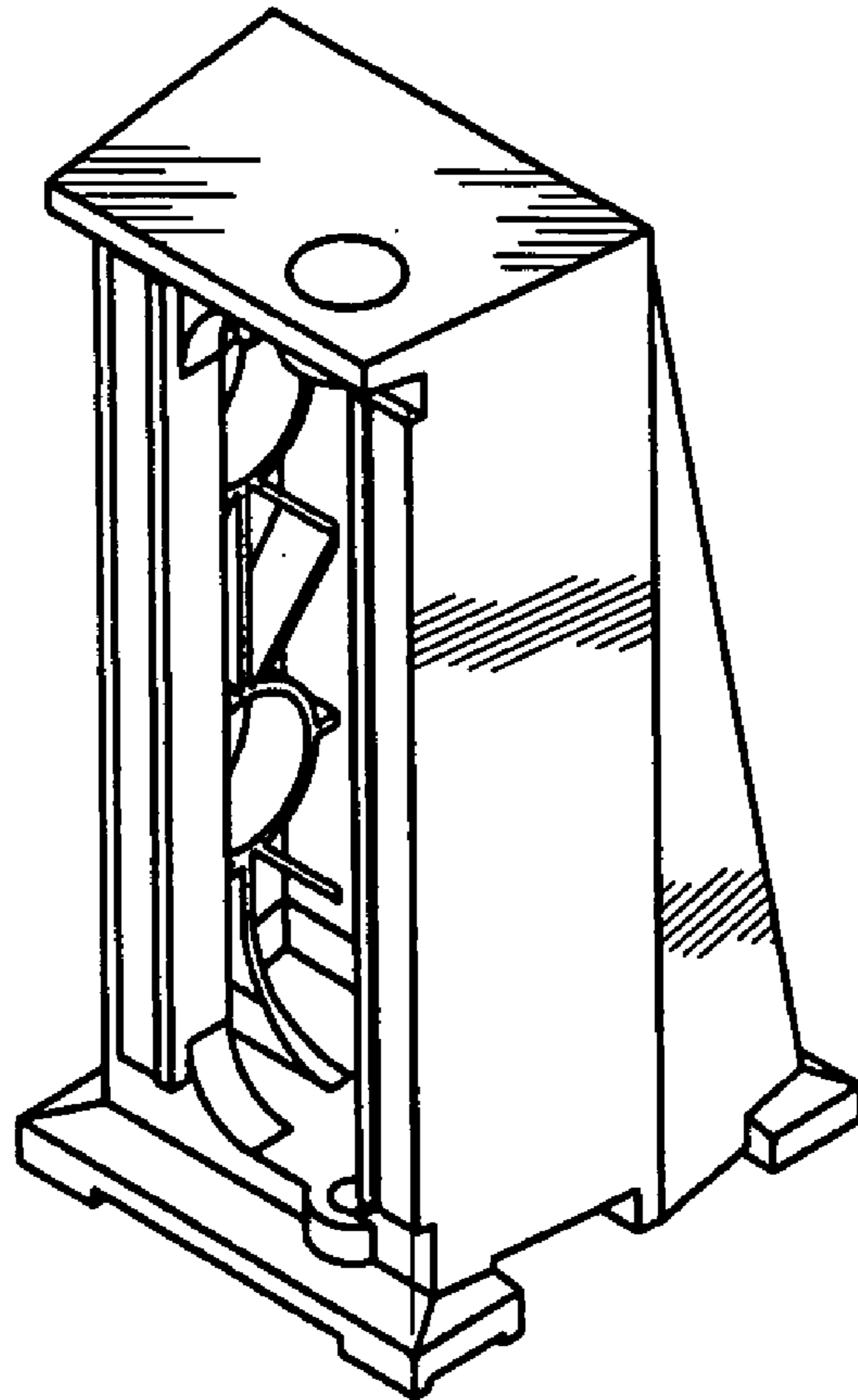


FIG. 14