



US00D576643S

(12) **United States Design Patent**  
**Blotsky**

(10) **Patent No.:** **US D576,643 S**

(45) **Date of Patent:** **\*\* Sep. 9, 2008**

(54) **MACHINE FOR EDGING LAWN GRASS**

(76) Inventor: **Jacob Blotsky**, 1622 16th Ave. South,  
Fargo, ND (US) 58103

(\*\*) Term: **14 Years**

(21) Appl. No.: **29/294,955**

(22) Filed: **Feb. 4, 2008**

**Related U.S. Application Data**

(63) Continuation of application No. 11/180,414, filed on  
Jul. 13, 2005, now abandoned.

(51) **LOC (8) Cl.** ..... **15-03**

(52) **U.S. Cl.** ..... **D15/17**

(58) **Field of Classification Search** ..... D15/11,  
D15/14, 17, 28, 29; 56/16.7, 251, 255, 256,  
56/16.9, 13.7, 13.6, 17.1, 320.1; 172/14,  
172/15, 16

See application file for complete search history.

(56) **References Cited**

**U.S. PATENT DOCUMENTS**

117,485	A	7/1871	Tournier	
D27,434	S *	7/1897	Ball	D15/11
1,732,941	A *	10/1929	Lennon	172/371
1,861,104	A *	5/1932	Wolf	172/16
2,158,580	A *	5/1939	Houser	56/251
2,844,084	A *	7/1958	Greenland	172/16
3,003,301	A	10/1961	Koon	
3,011,562	A *	12/1961	Brasch	172/17
3,197,950	A *	8/1965	Griffith	56/255
3,197,951	A *	8/1965	Zick	56/255
3,231,024	A	1/1966	Lazich	
3,430,424	A *	3/1969	Hasenbank	56/255
3,489,225	A	1/1970	Bass	
3,531,922	A *	10/1970	Hansen	56/13.7
3,734,196	A *	5/1973	Mangum	172/16
3,803,818	A *	4/1974	Chaney	56/11.6
3,871,160	A *	3/1975	Hooper	56/16.9
4,200,155	A	4/1980	Mullet et al.	

4,229,933	A *	10/1980	Bernard	56/295
4,272,949	A *	6/1981	Franks et al.	56/255
D274,523	S *	7/1984	Nja	D15/11
4,551,967	A	11/1985	Murcko	
4,589,252	A *	5/1986	Williams	56/255
4,718,221	A *	1/1988	Wessel et al.	56/16.9
D299,348	S *	1/1989	Nja	D15/11
D300,141	S *	3/1989	Kawashima	D15/11
4,852,658	A *	8/1989	Wessel et al.	172/14
4,962,631	A *	10/1990	Braun et al.	56/17.2
4,965,990	A *	10/1990	Slawson et al.	56/13.7
5,065,567	A	11/1991	Wessel	
5,479,765	A *	1/1996	Wall et al.	56/256
5,497,606	A *	3/1996	Baxter	56/16.9
6,434,920	B1 *	8/2002	Keane	56/16.9
6,810,647	B1	11/2004	Evrikoz	
2002/0153145	A1 *	10/2002	Holzinger	172/15

\* cited by examiner

*Primary Examiner*—Stella M. Reid  
*Assistant Examiner*—Mark A Goodwin  
(74) *Attorney, Agent, or Firm*—David D. Winters

(57) **CLAIM**

The ornamental design for “machine for edging lawn grass,”  
as shown and described.

**DESCRIPTION**

FIG. 1 is a top front perspective view of a machine for edging  
lawn grass showing my new design in use condition. The  
broken line showing of a lawnmower is included for environ-  
mental purposes only and forms no part of the claimed design.

FIG. 2 is a right side view thereof.

FIG. 3 is a left side view thereof.

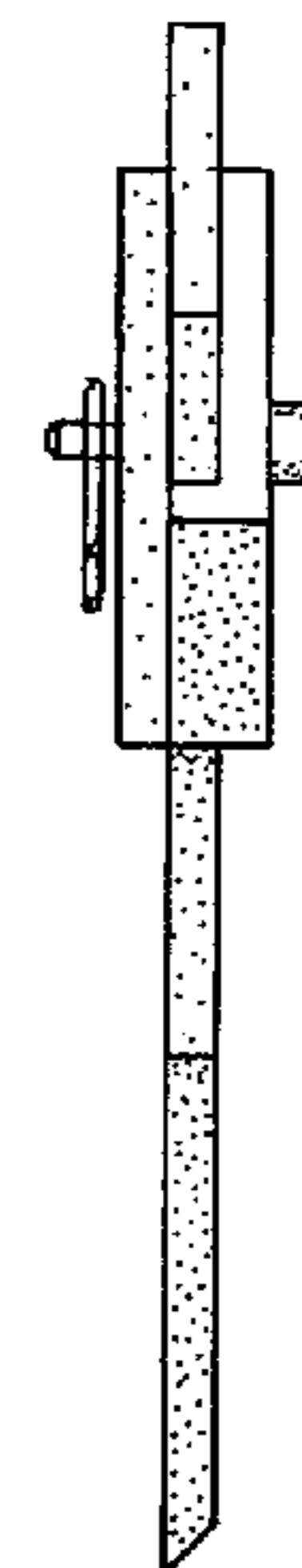
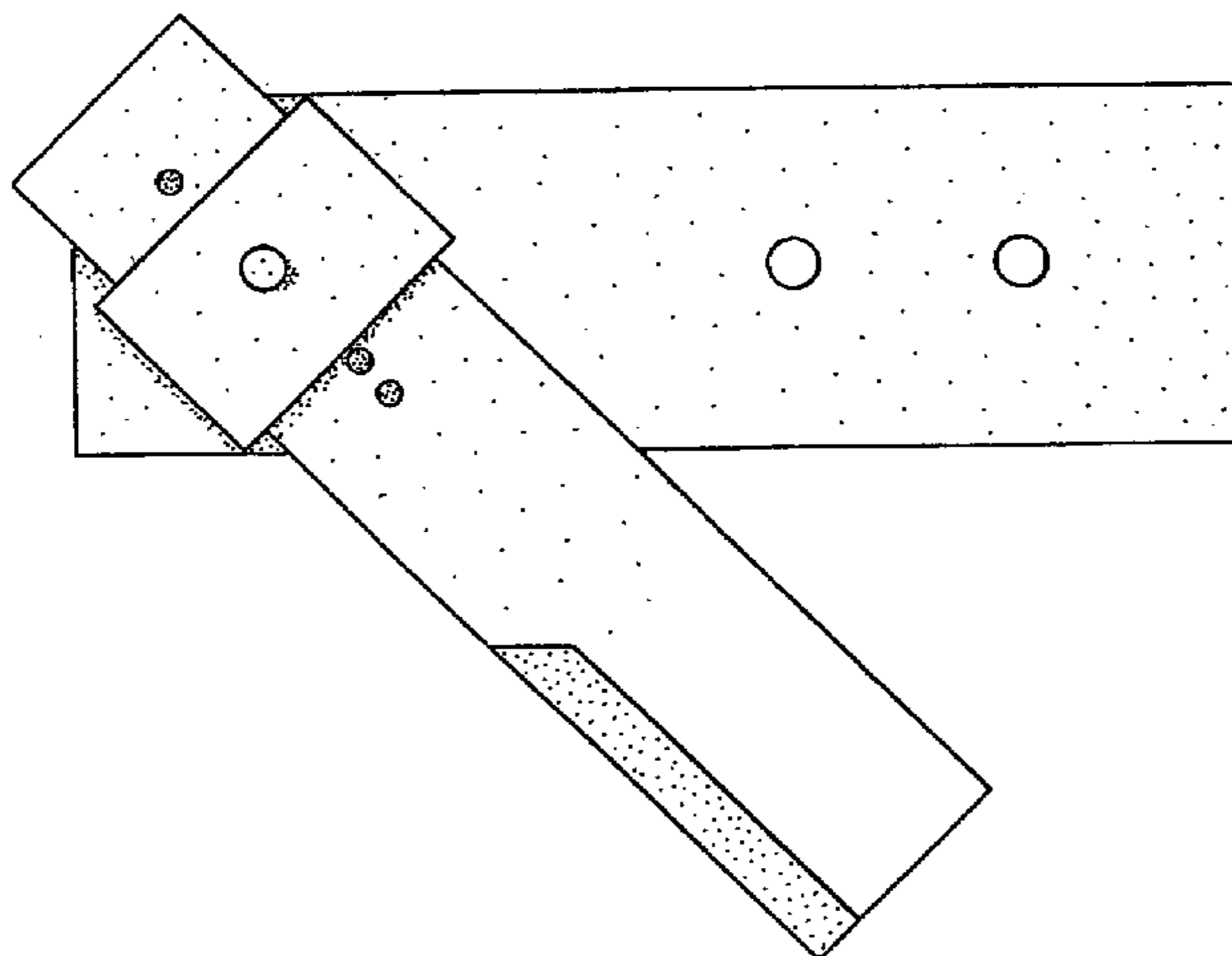
FIG. 4 is a front view thereof.

FIG. 5 is a back view thereof.

FIG. 6 top view thereof; and,

FIG. 7 is a bottom view thereof.

**1 Claim, 3 Drawing Sheets**



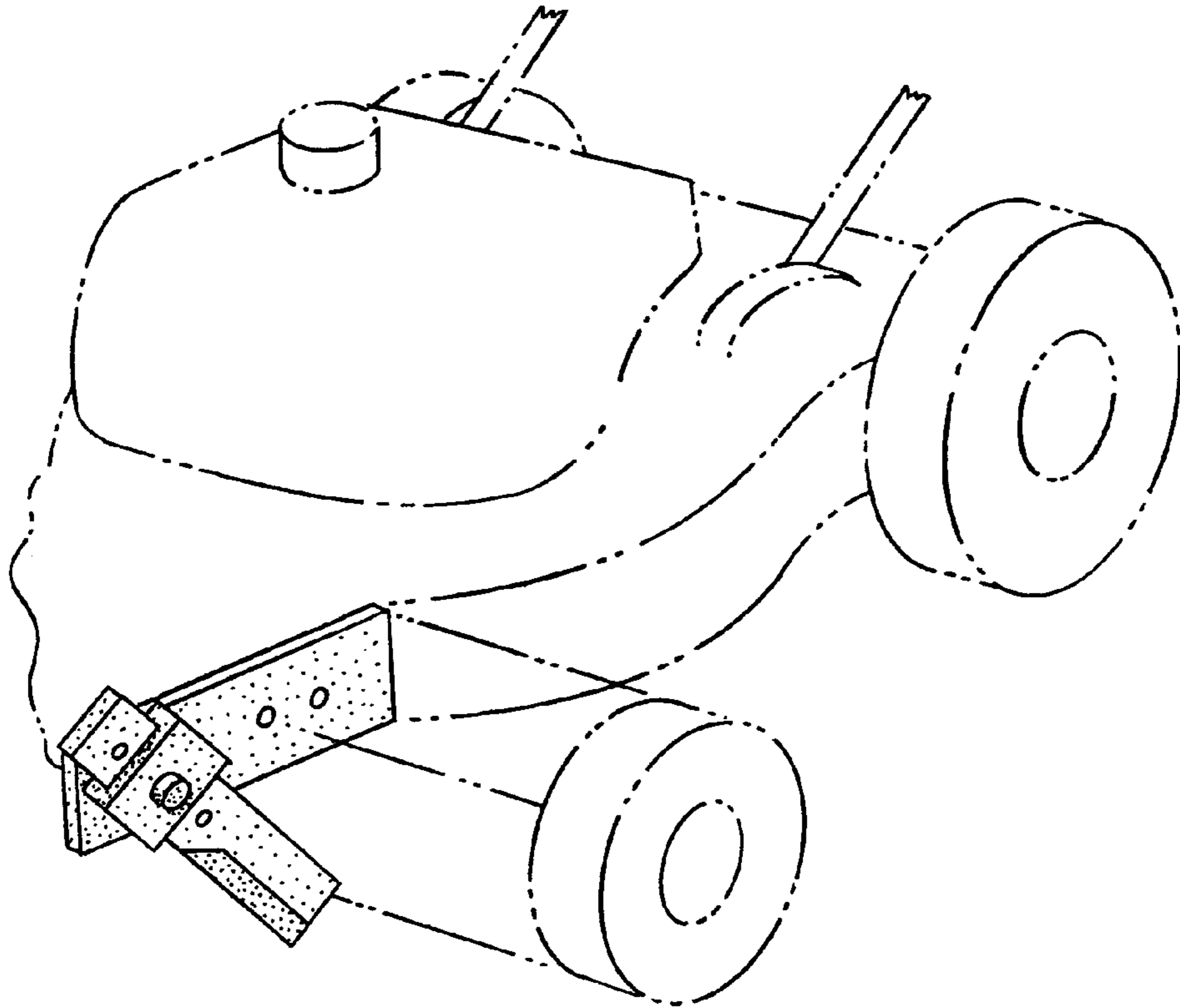


FIG. 1

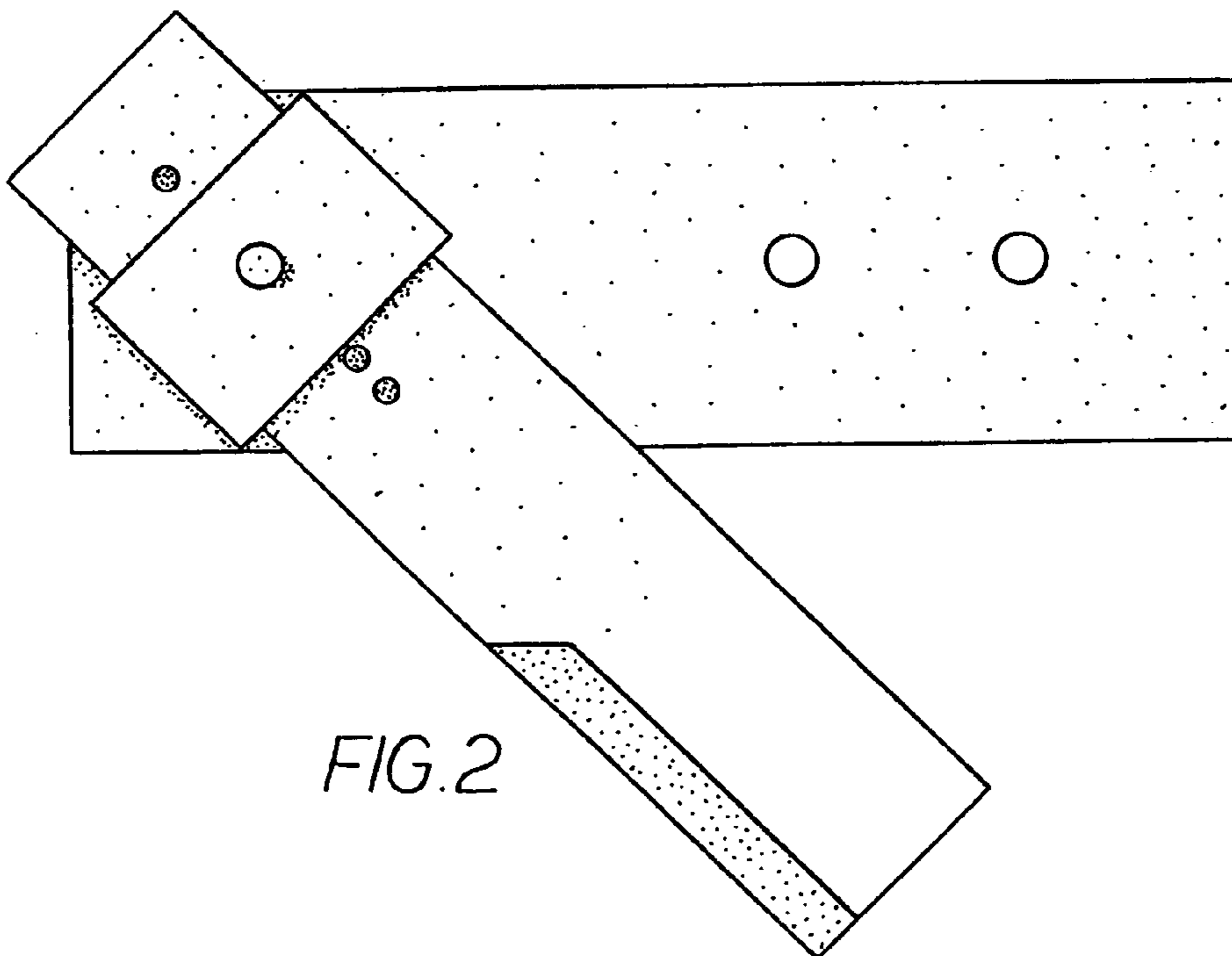


FIG. 2

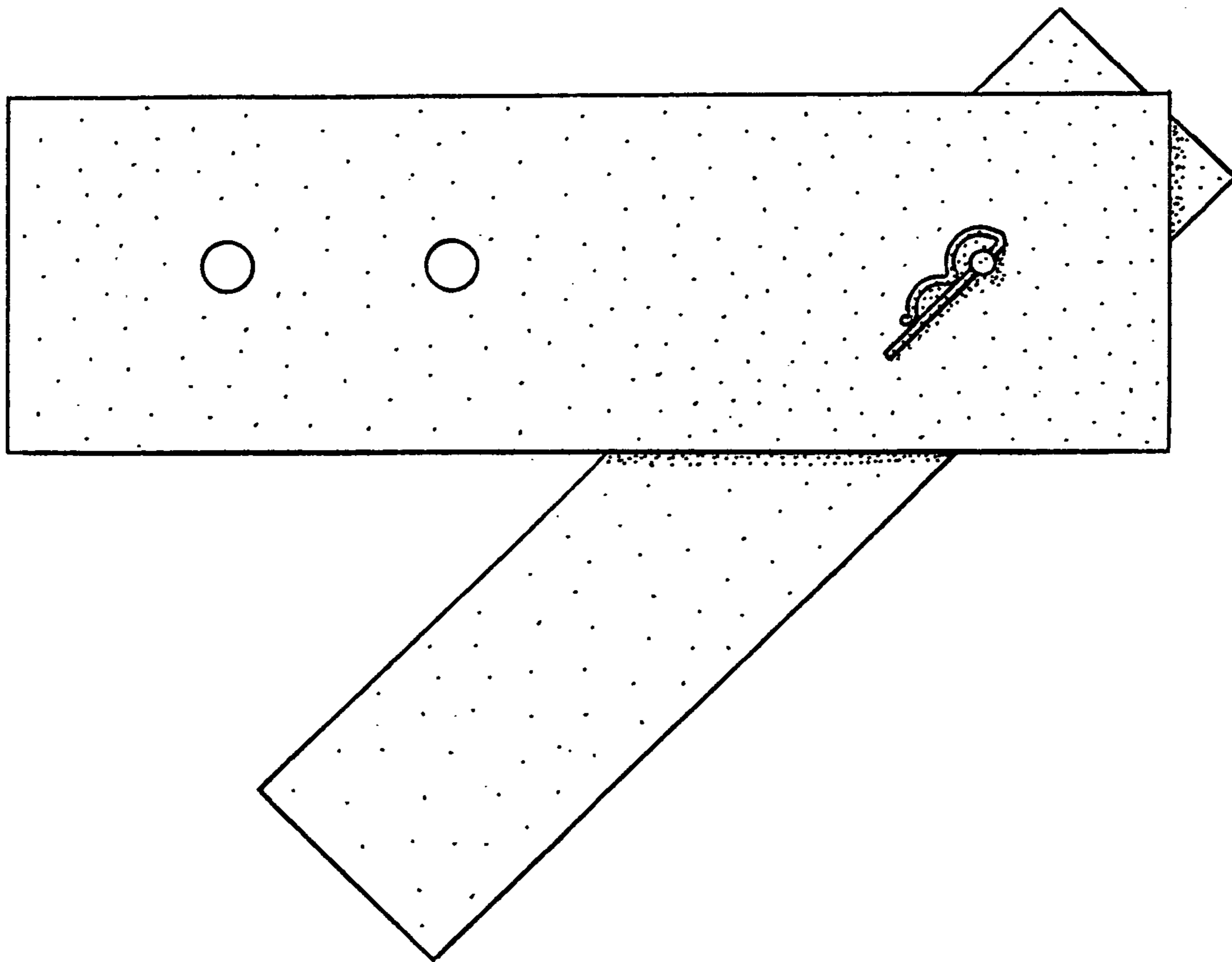


FIG. 3

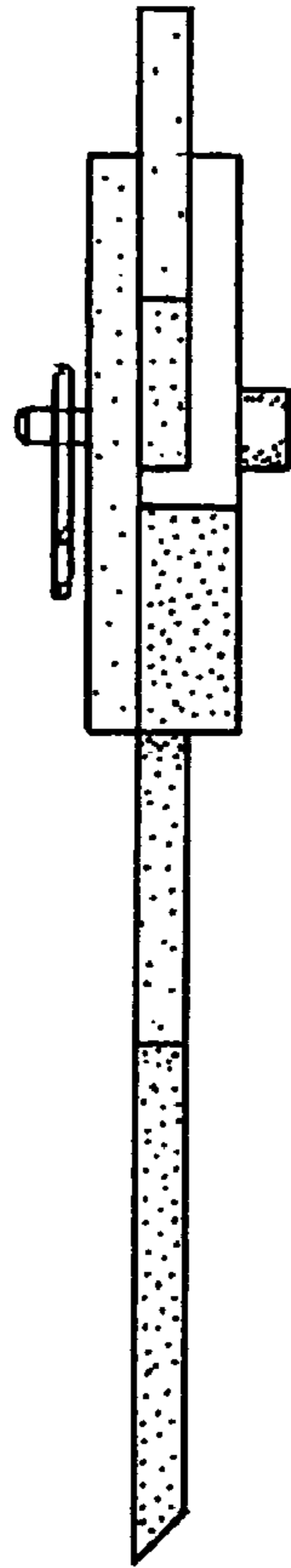


FIG. 4

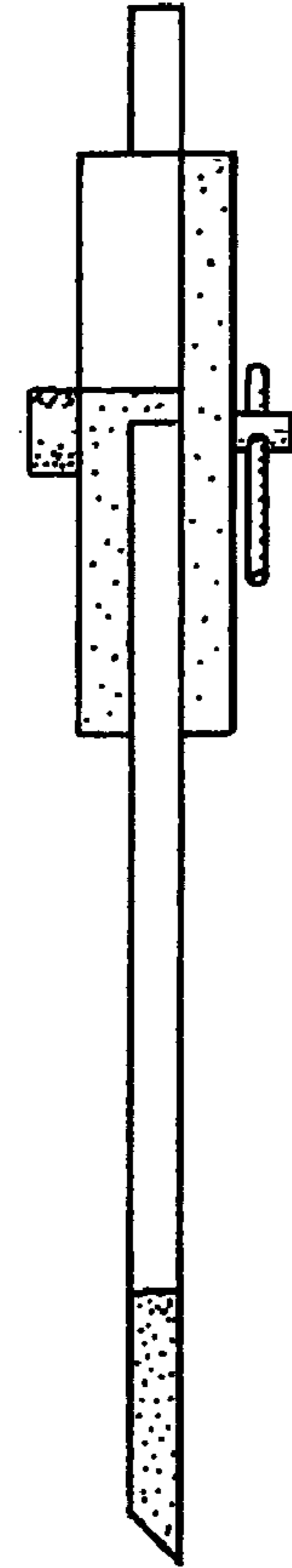


FIG. 5

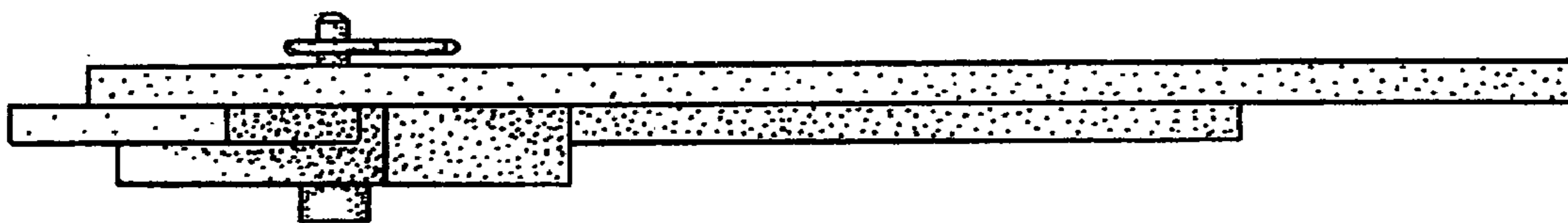


FIG. 6

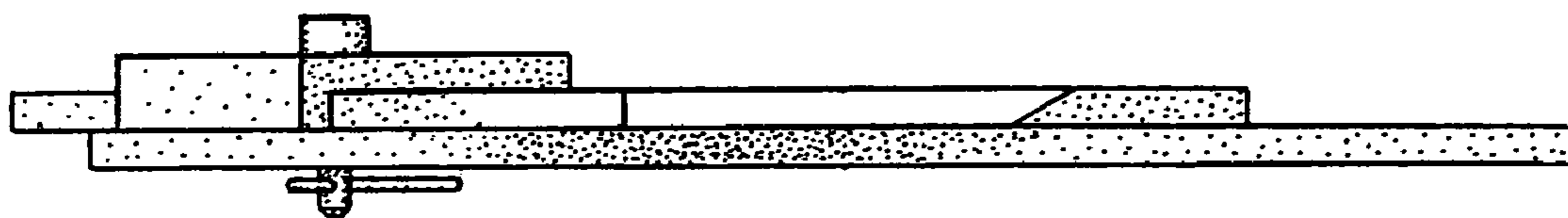


FIG. 7