



US00D576641S

(12) **United States Design Patent**  
**Liu**

(10) **Patent No.:** **US D576,641 S**  
(45) **Date of Patent:** **\*\* Sep. 9, 2008**

(54) **PUMP CASING**

D461,733 S \* 8/2002 Iida ..... D10/85  
D552,139 S \* 10/2007 Cho ..... D15/199

(75) Inventor: **Hsing Tsung Liu**, Minsyong Township,  
Chiayi County (TW)

\* cited by examiner

(73) Assignee: **Yuan Chi Technology Corp.**, Chiayi  
County (TW)

*Primary Examiner*—R. Seifert  
(74) *Attorney, Agent, or Firm*—Alan Kamrath; Kamrath &  
Associates PA

(\*\*) Term: **14 Years**

(57) **CLAIM**

(21) Appl. No.: **29/302,339**

The ornamental design for a pump casing, as shown and  
described.

(22) Filed: **Jan. 15, 2008**

(51) **LOC (8) Cl.** ..... **15-02**

(52) **U.S. Cl.** ..... **D15/7**

(58) **Field of Classification Search** ..... D15/7-9;  
D23/231, 232; 417/410.1, 359, 415-416,  
417/234, 321, 265, 405

See application file for complete search history.

**DESCRIPTION**

FIG. 1 is a perspective view of a pump casing showing my  
new design;

FIG. 2 is a front view thereof, the rear view being a mirror  
image thereof;

FIG. 3 is a left view thereof, the right view being a mirror  
image thereof;

FIG. 4 is a top view thereof; and,

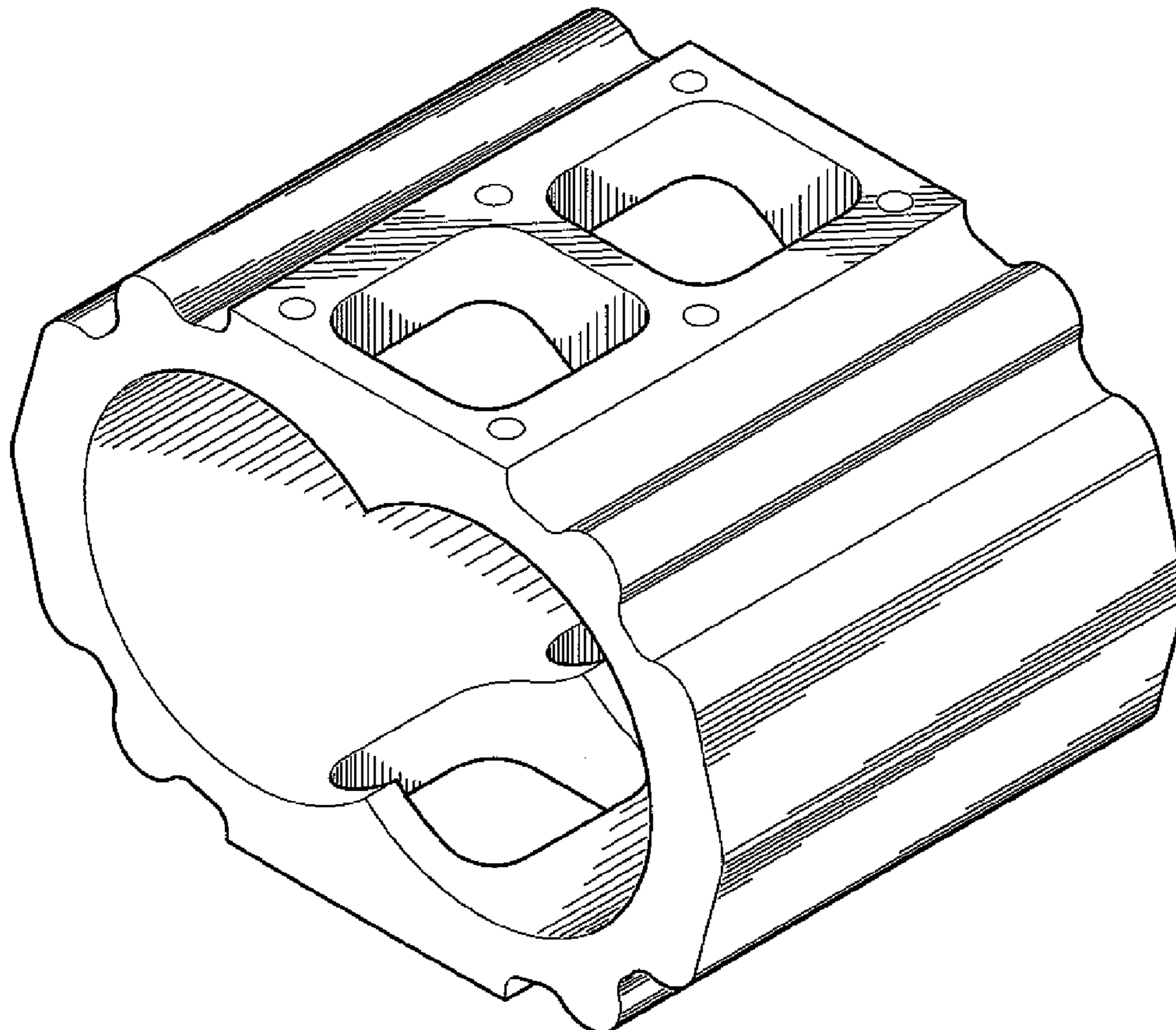
FIG. 5 is a bottom view thereof.

(56) **References Cited**

U.S. PATENT DOCUMENTS

D439,539 S \* 3/2001 Arumugasaamy ..... D10/111  
D441,768 S \* 5/2001 Nagai et al. .... D15/7  
D444,795 S \* 7/2001 Wakasugi et al. .... D15/7

**1 Claim, 3 Drawing Sheets**



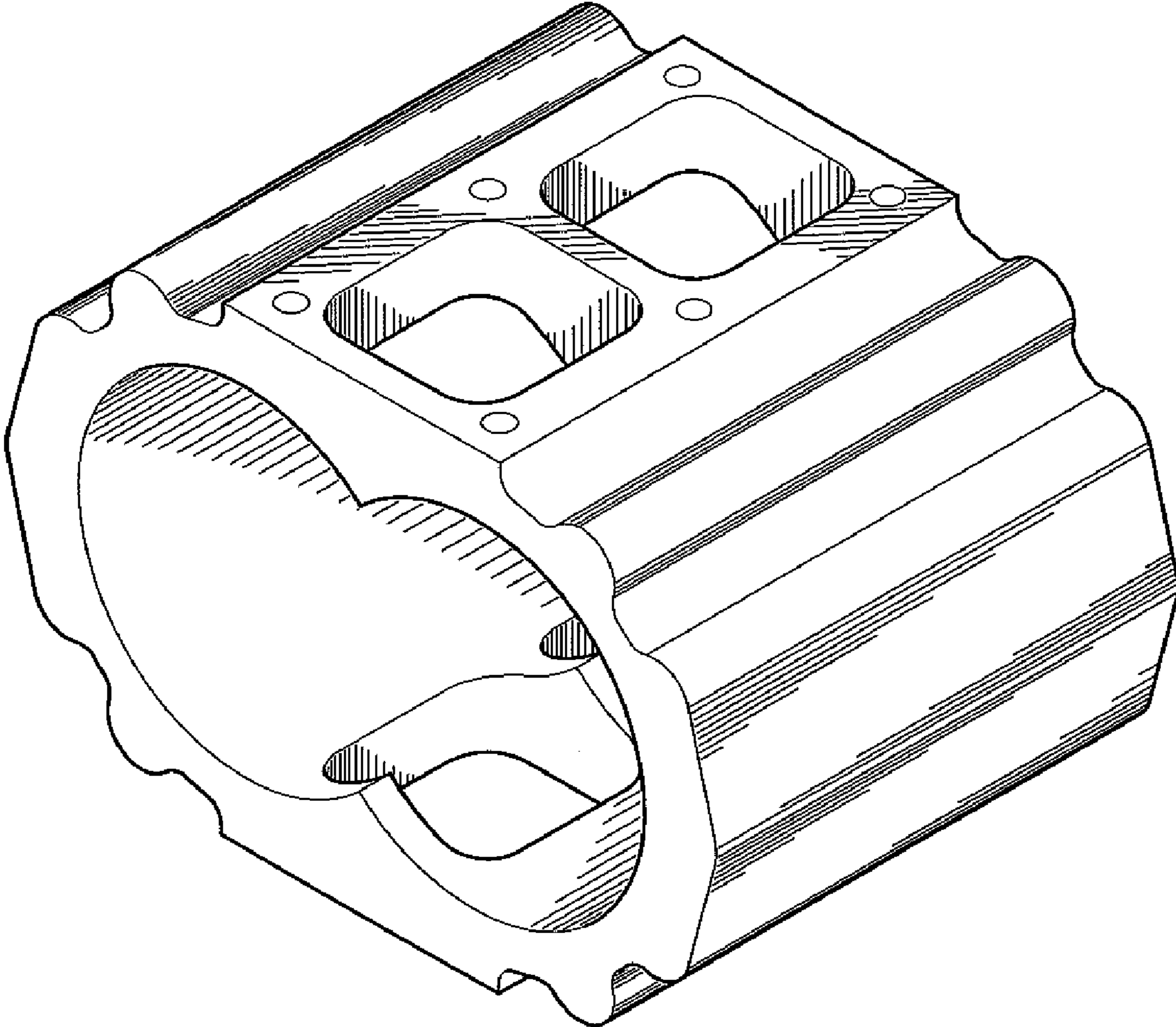


FIG. 1

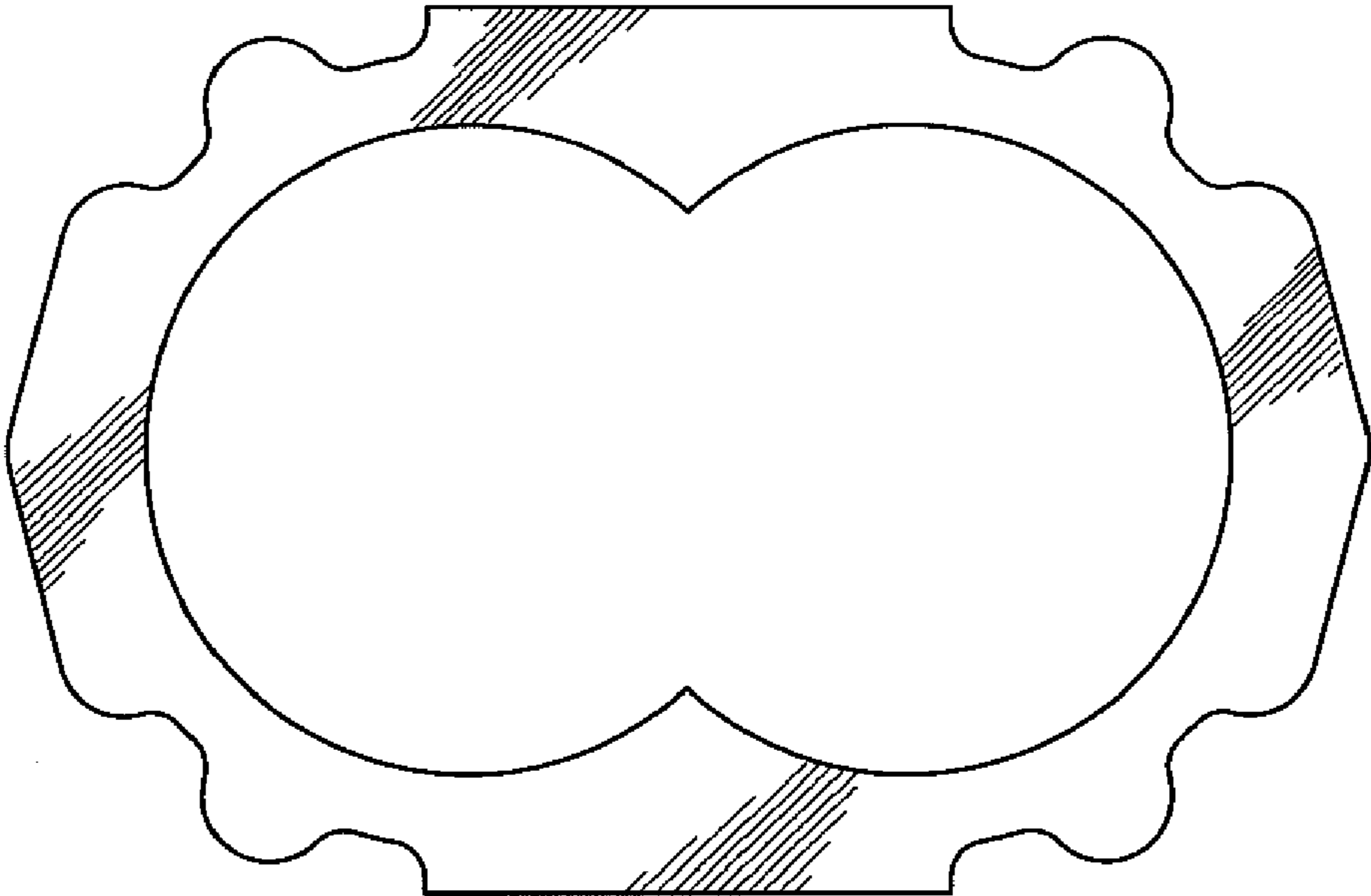


FIG. 2



FIG. 3

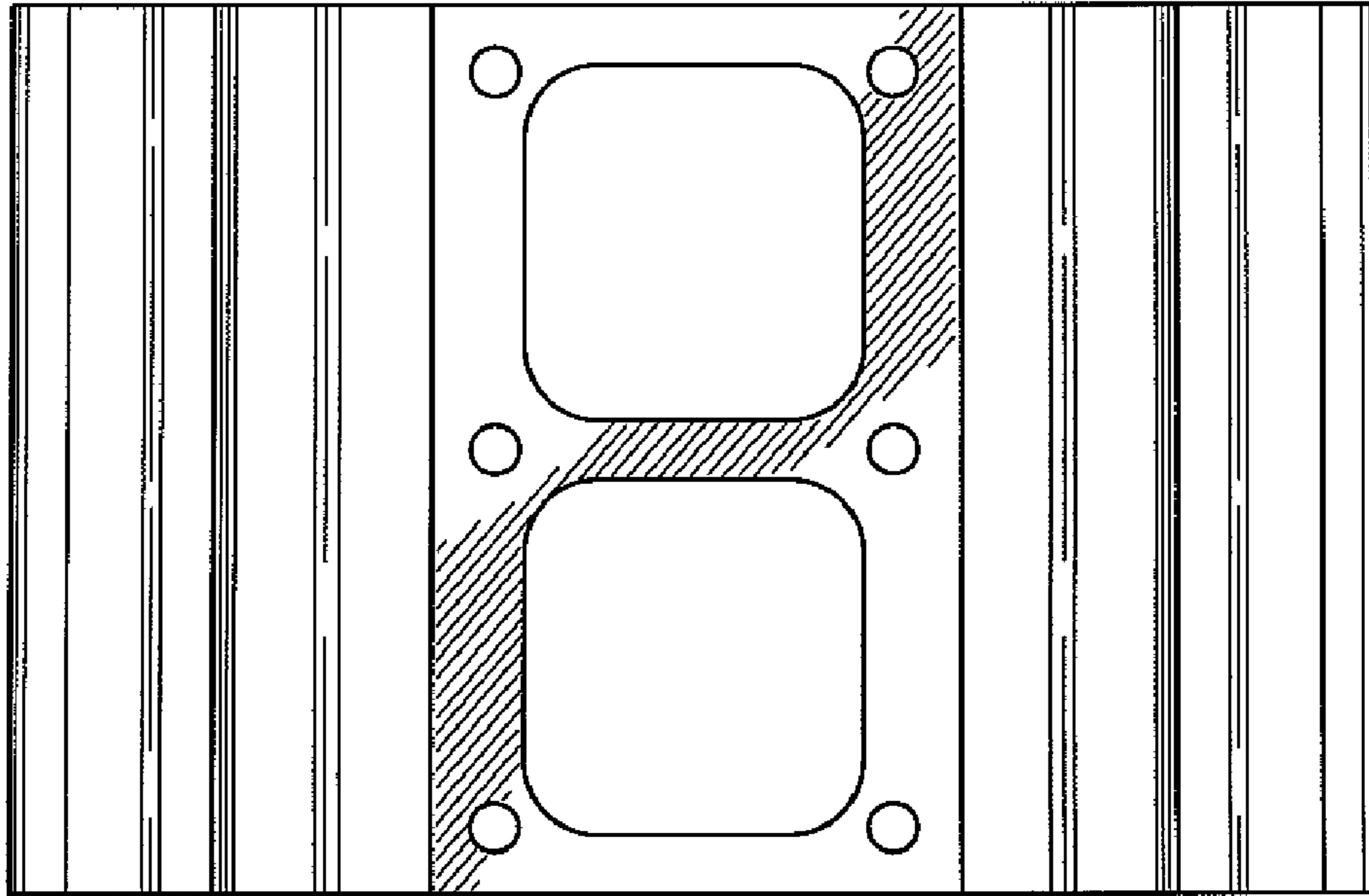


FIG. 4

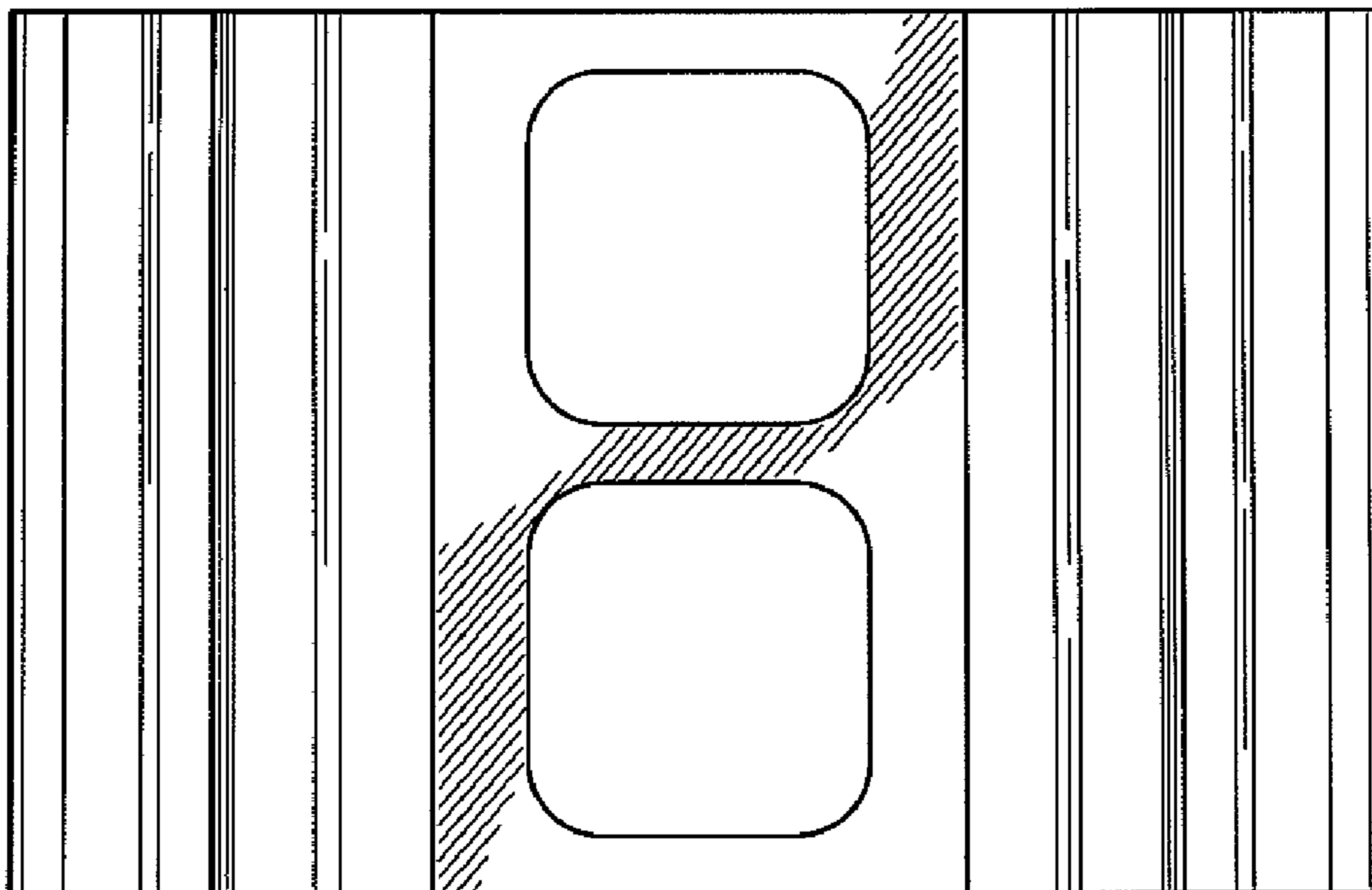


FIG. 5