



US00D576639S

(12) **United States Design Patent**  
**Uenohara**

(10) **Patent No.:** **US D576,639 S**  
(45) **Date of Patent:** **\*\* Sep. 9, 2008**

(54) **CLUTCH COVER ASSEMBLY**

(75) Inventor: **Norihisa Uenohara**, Neyagawa (JP)

(73) Assignee: **Exedy Corporation**, Osaka (JP)

(\*\*) Term: **14 Years**

(21) Appl. No.: **29/252,589**

(22) Filed: **Jan. 26, 2006**

(51) **LOC (8) Cl.** ..... **15-01**

(52) **U.S. Cl.** ..... **D15/5**

(58) **Field of Classification Search** ..... D15/5;  
475/238; 477/13, 7; 192/70.251, 70.26,  
192/103 A, 70.29, 70.3, 89.26, 70.27

See application file for complete search history.

(56) **References Cited**

**U.S. PATENT DOCUMENTS**

D298,141	S	*	10/1988	Huber	.....	D15/149
D335,290	S	*	5/1993	Flotow	.....	D15/5
6,024,199	A	*	2/2000	Uenohara et al.	.....	192/70.252
6,409,003	B2	*	6/2002	Naito et al.	.....	192/70.252
6,745,884	B2	*	6/2004	Hick et al.	.....	192/70.12
6,789,656	B2	*	9/2004	Uenohara	.....	192/70.252
2006/0254874	A1	*	11/2006	Fox et al.	.....	192/105 C

2007/0131510 A1\* 6/2007 Uenohara ..... 192/70.252  
2007/0131511 A1\* 6/2007 Uenohara ..... 192/70.252

\* cited by examiner

*Primary Examiner*—Ian Simmons

*Assistant Examiner*—Wan Laymon

(74) *Attorney, Agent, or Firm*—Global IP Counselors, LLP

(57) **CLAIM**

The ornamental design for a clutch cover assembly, as shown and described.

**DESCRIPTION**

FIG. 1 is a front perspective view of a clutch cover assembly showing my new design;

FIG. 2 is a rear perspective view thereof;

FIG. 3 is a front elevational view thereof;

FIG. 4 is a rear elevational view thereof;

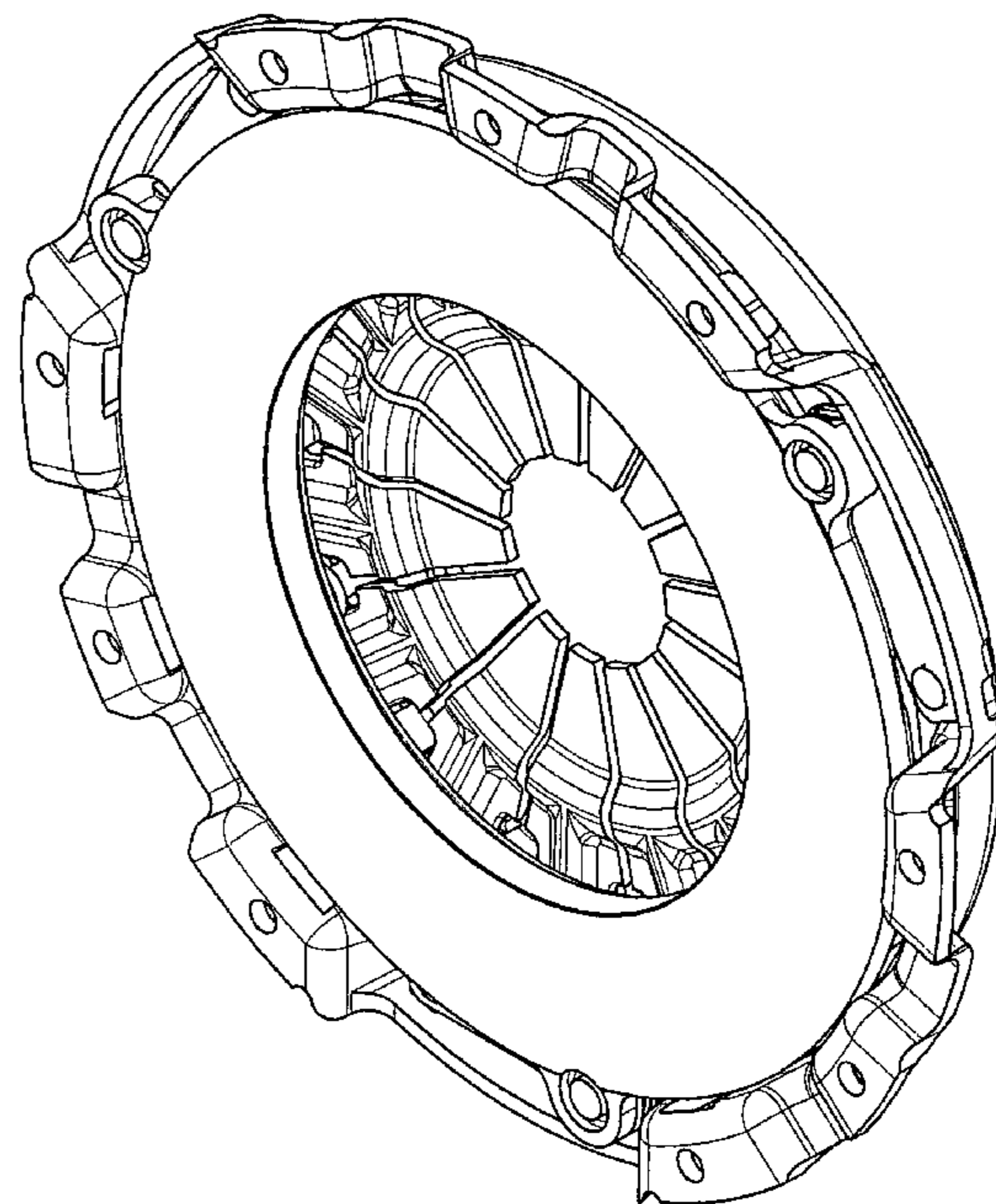
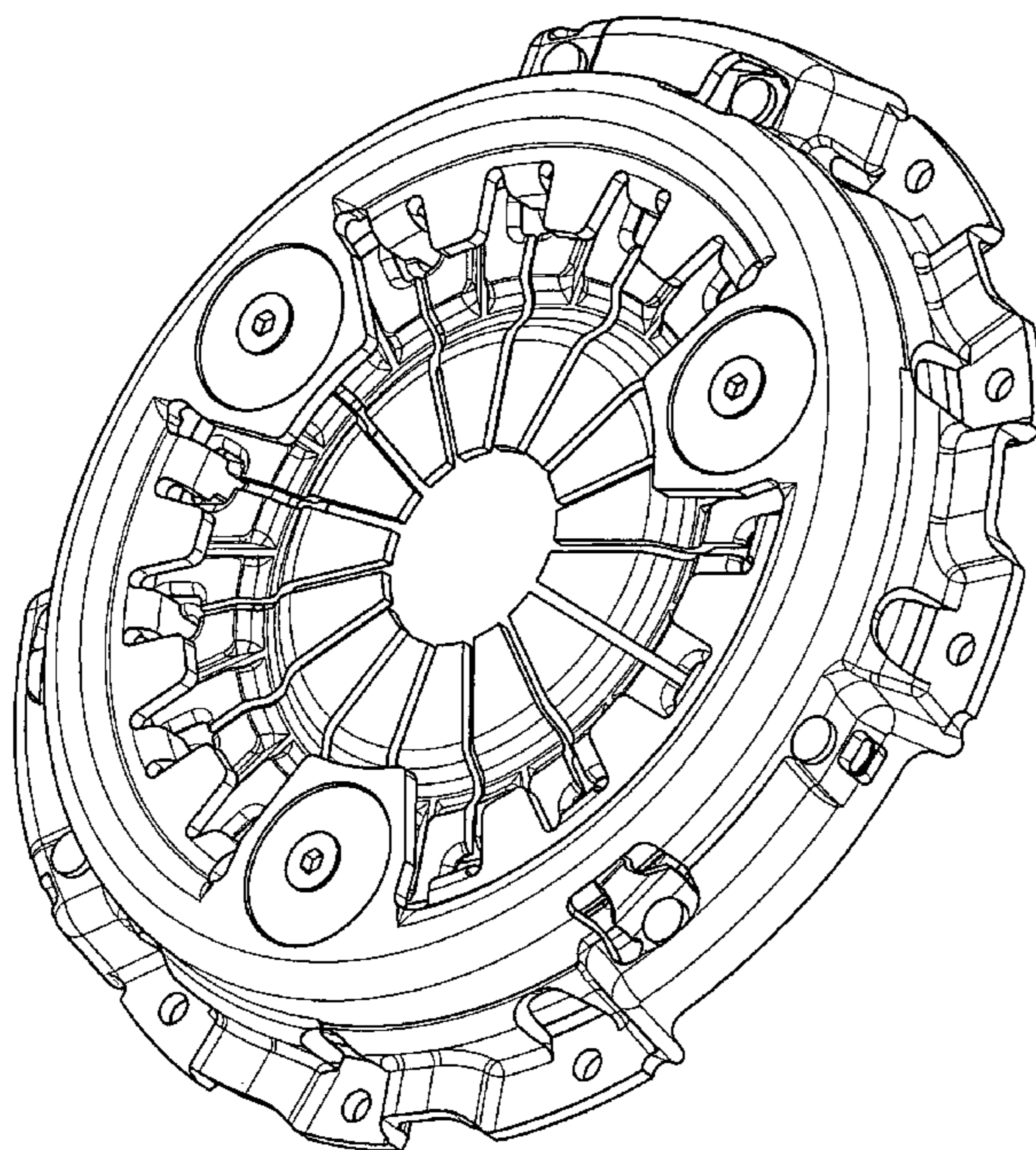
FIG. 5 is a side view thereof;

FIG. 6 is a top plan view thereof;

FIG. 7 is another side view thereof; and,

FIG. 8 is a bottom plan view thereof.

**1 Claim, 8 Drawing Sheets**



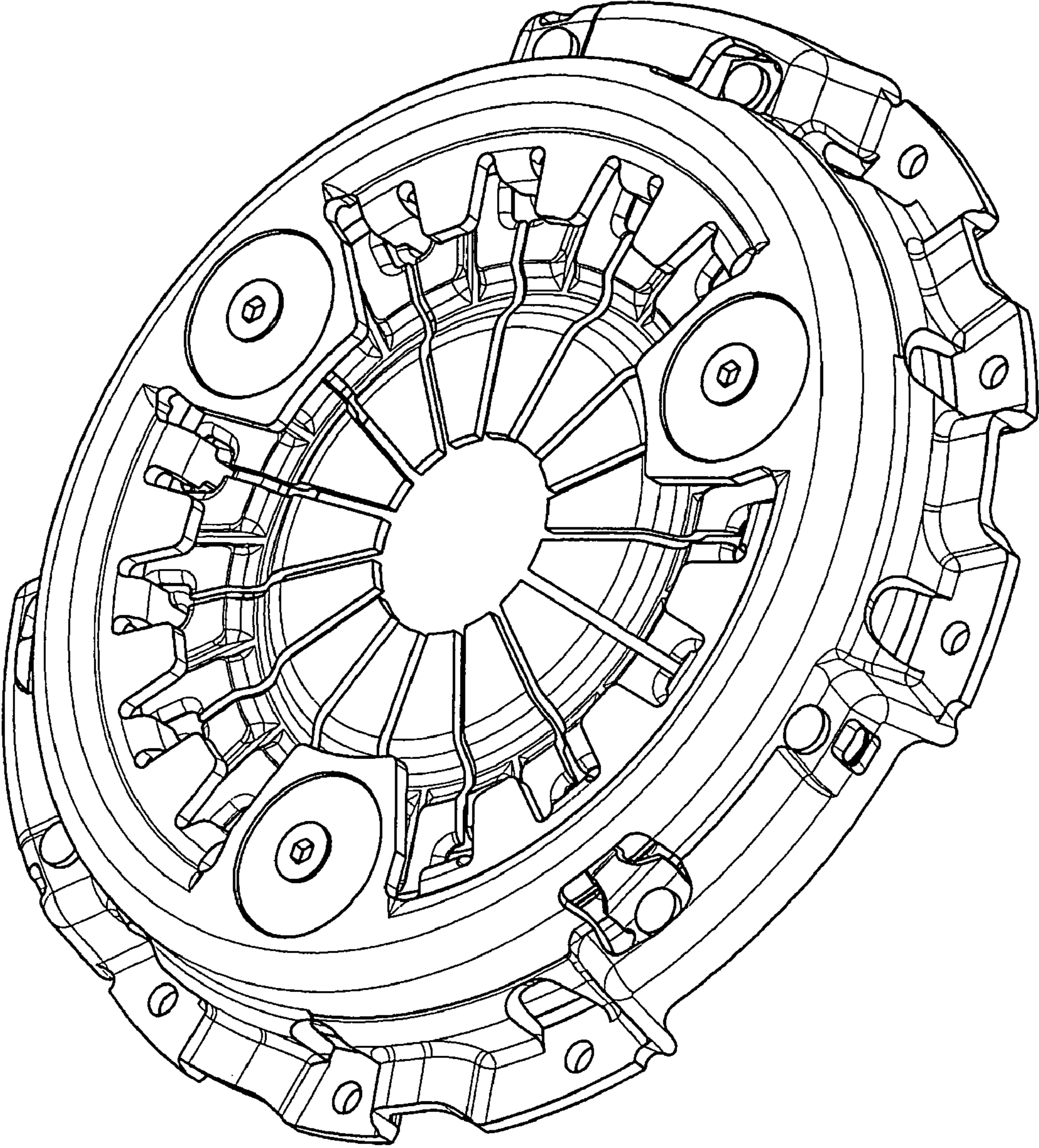


Fig. 1

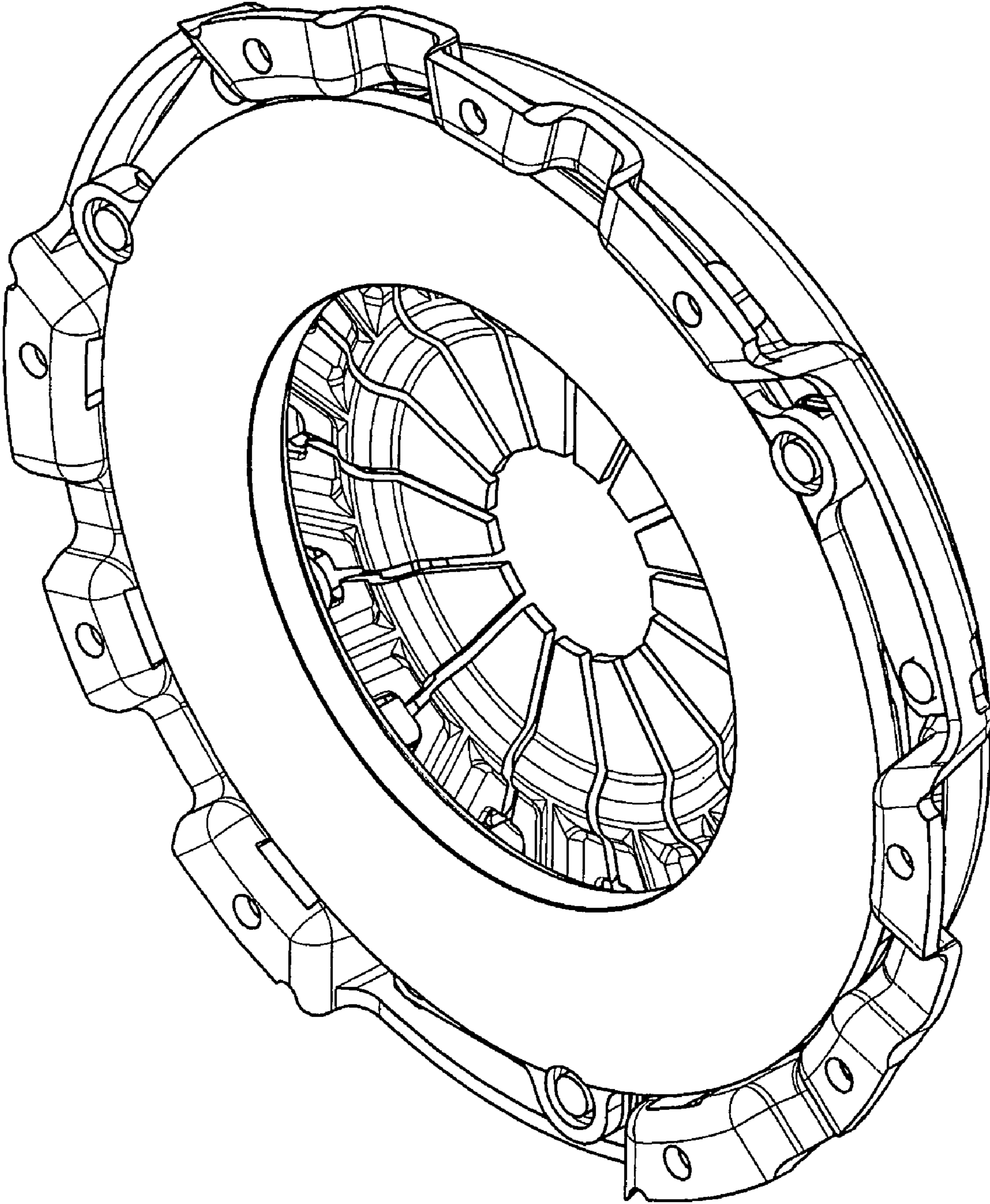


Fig. 2

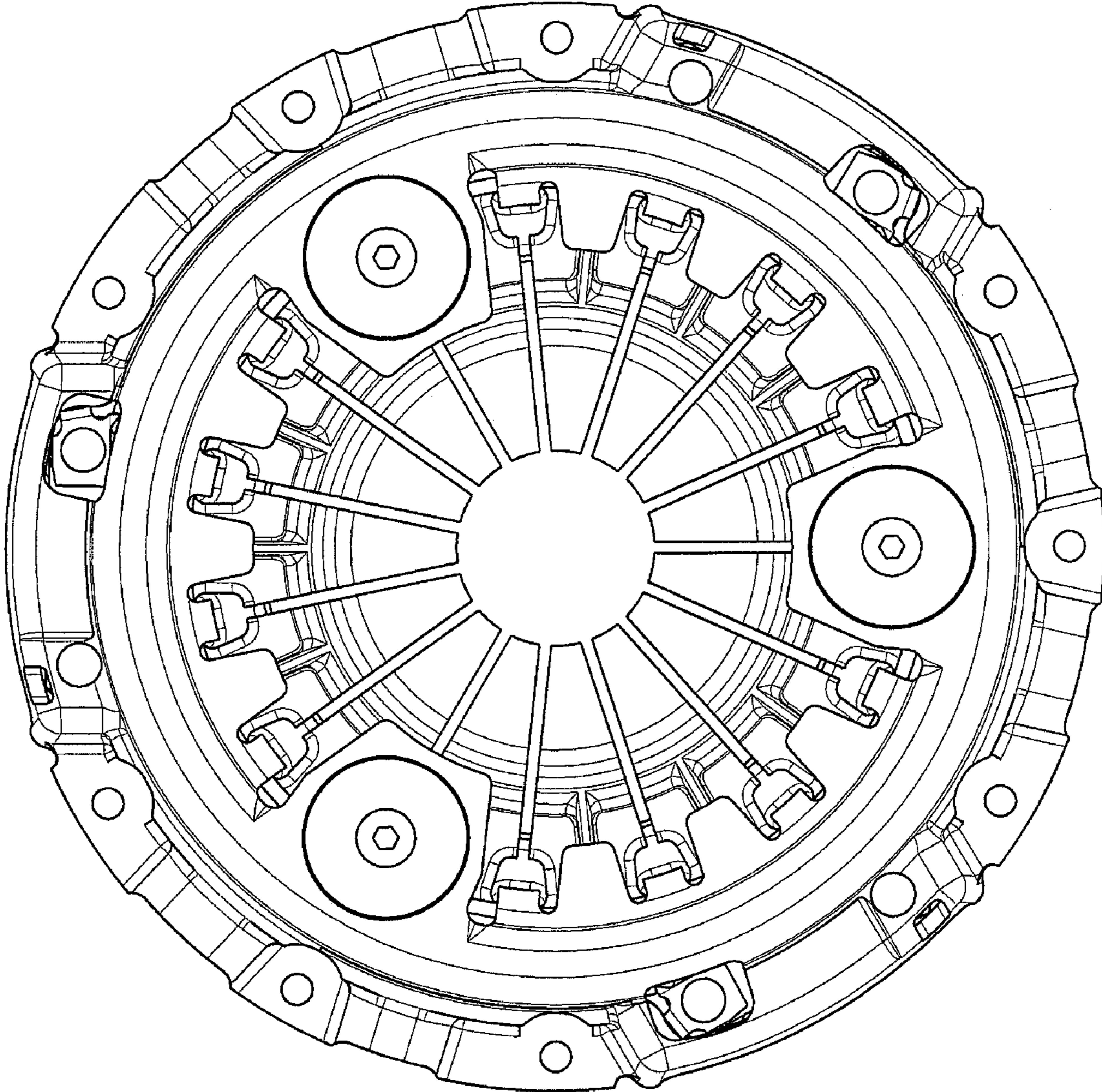


Fig. 3

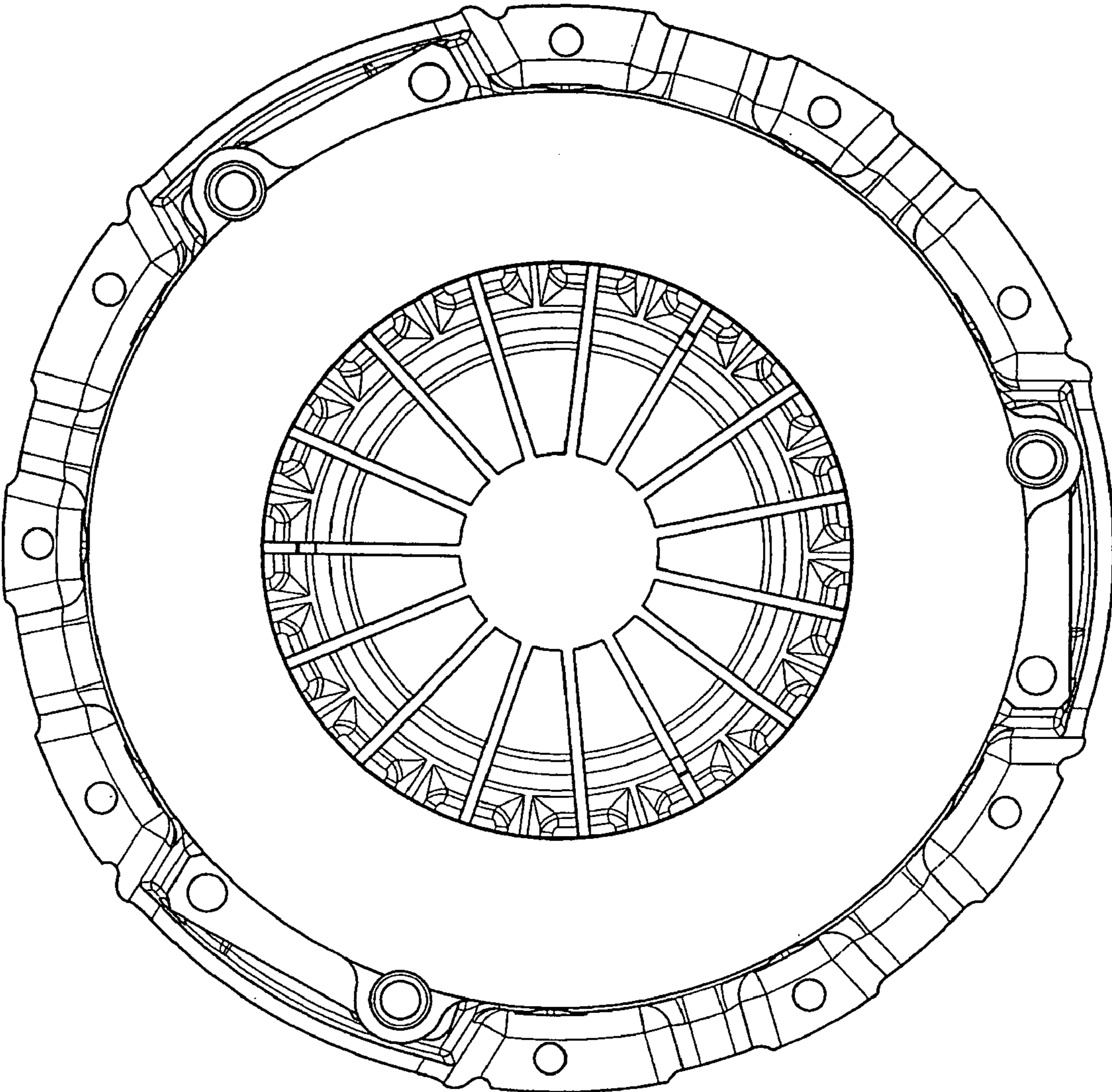


Fig. 4

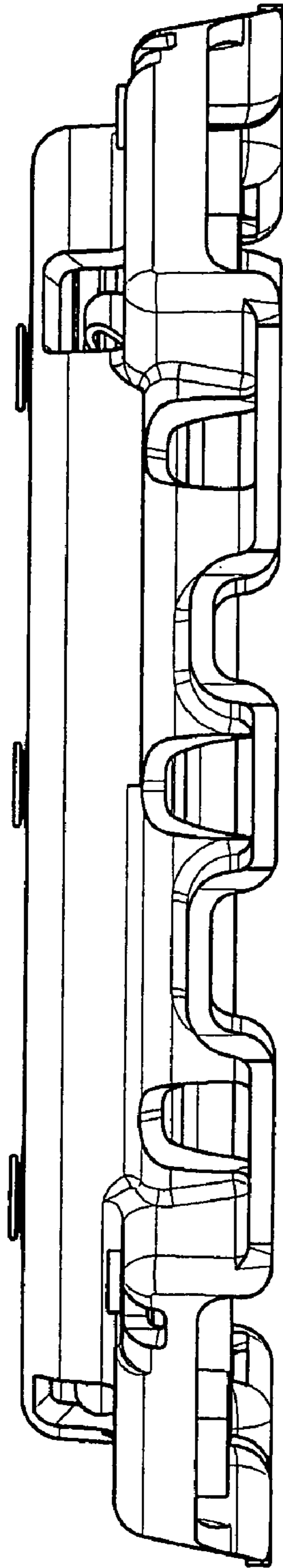


Fig. 5

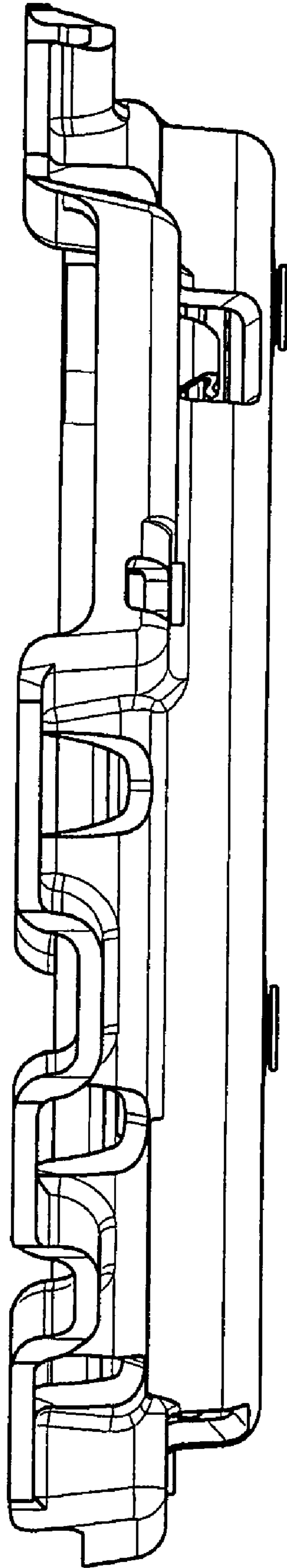


Fig. 6

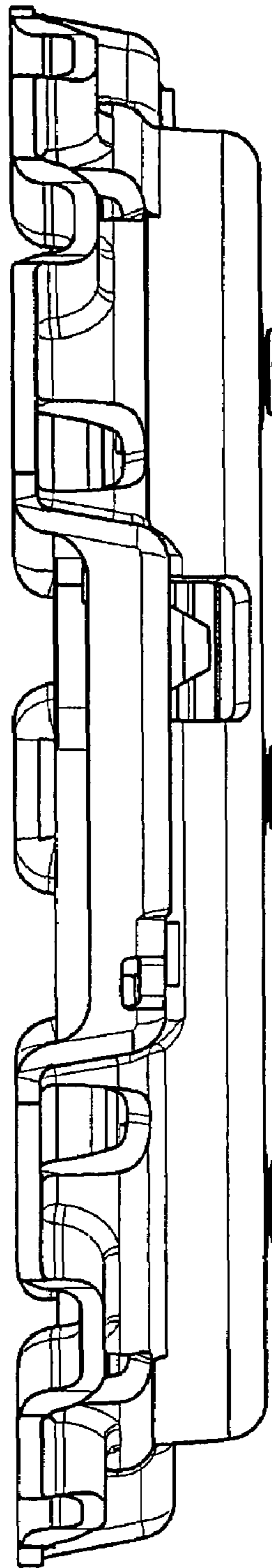


Fig. 7



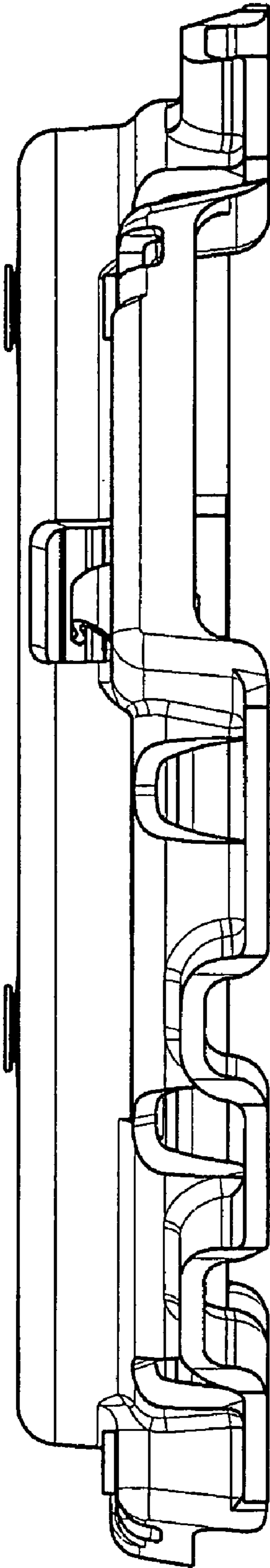


Fig. 8