



US00D576638S

(12) **United States Design Patent**  
**Busschaert**

(10) **Patent No.:** **US D576,638 S**  
(45) **Date of Patent:** **\*\* Sep. 9, 2008**

(54) **ENGINE**

(75) Inventor: **Jason F. Busschaert**, Towson, MD (US)

(73) Assignee: **Black & Decker Inc.**, Newark, DE (US)

(\*\*) Term: **14 Years**

(21) Appl. No.: **29/295,111**

(22) Filed: **Sep. 21, 2007**

(51) **LOC (8) Cl.** ..... **15-01**

(52) **U.S. Cl.** ..... **D15/1**

(58) **Field of Classification Search** ..... D15/1-5,  
D15/14, 16-17, 149; 74/606 R; 123/41.7,  
123/306, 308, 661, 667, 41.66-41.67, 657,  
123/41.01, 41.09, 70 R, 50 A, 50 B, 50 R,  
123/51 R, 51 A, 195 C, 198 E

See application file for complete search history.

(56) **References Cited**

**U.S. PATENT DOCUMENTS**

D282,071 S	1/1986	Nakamura	
D294,832 S	3/1988	Itou et al.	
4,813,385 A *	3/1989	Yamaguchi et al.	123/2
D307,148 S *	4/1990	Mikado	D15/1
D309,458 S *	7/1990	Johnson et al.	D15/1
D396,476 S	7/1998	Shimizu	
6,240,889 B1 *	6/2001	Kuwabara et al.	123/179.24
6,520,141 B2 *	2/2003	Rydzek et al.	123/198 E
D503,723 S	4/2005	Giddens	
D515,589 S	2/2006	Lin et al.	
D516,580 S	3/2006	Li	
D516,582 S	3/2006	Giddens	
D521,024 S	5/2006	Giddens	
D521,529 S	5/2006	Wu et al.	

D527,020 S *	8/2006	Miyazaki et al.	D15/3
D529,046 S	9/2006	Maeda et al.	
D529,514 S	10/2006	Maeda et al.	
D530,722 S	10/2006	Maeda et al.	
D531,642 S	11/2006	Maeda et al.	
7,191,753 B2 *	3/2007	Sagara et al.	123/198 E
D540,255 S	4/2007	Maeda et al.	
D552,128 S *	10/2007	Li	D15/1
D561,784 S *	2/2008	Yin et al.	D15/1

\* cited by examiner

*Primary Examiner*—Ian Simmons

*Assistant Examiner*—Wan Laymon

(74) *Attorney, Agent, or Firm*—Harness, Dickey & Pierce, P.L.C.

(57) **CLAIM**

The ornamental design for an engine, as shown and described.

**DESCRIPTION**

FIG. 1 is a front view of an engine showing my new design;

FIG. 2 is a left side view thereof;

FIG. 3 is a right side view thereof;

FIG. 4 is a rear view thereof;

FIG. 5 is a top view thereof;

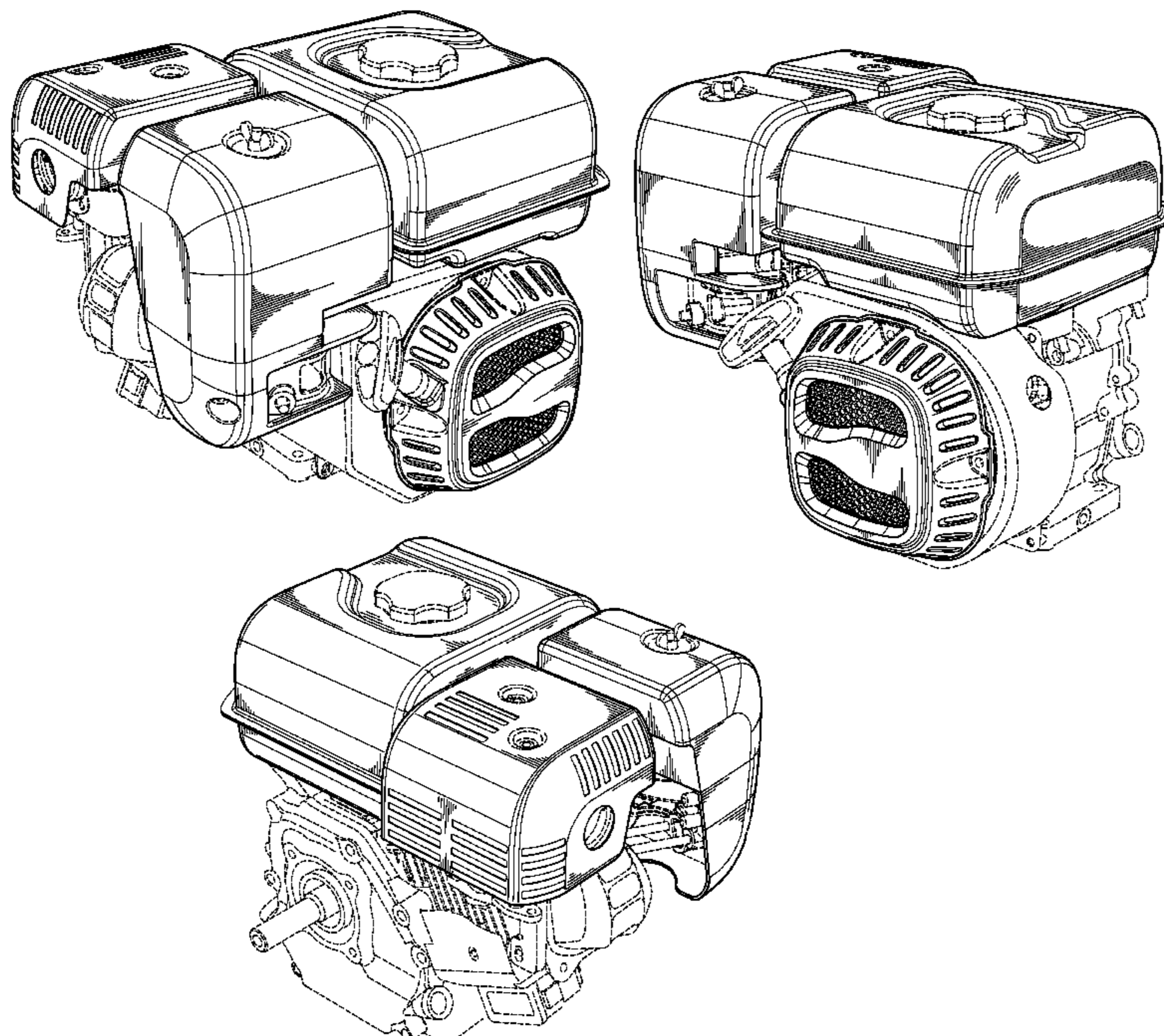
FIG. 6 is a bottom view thereof;

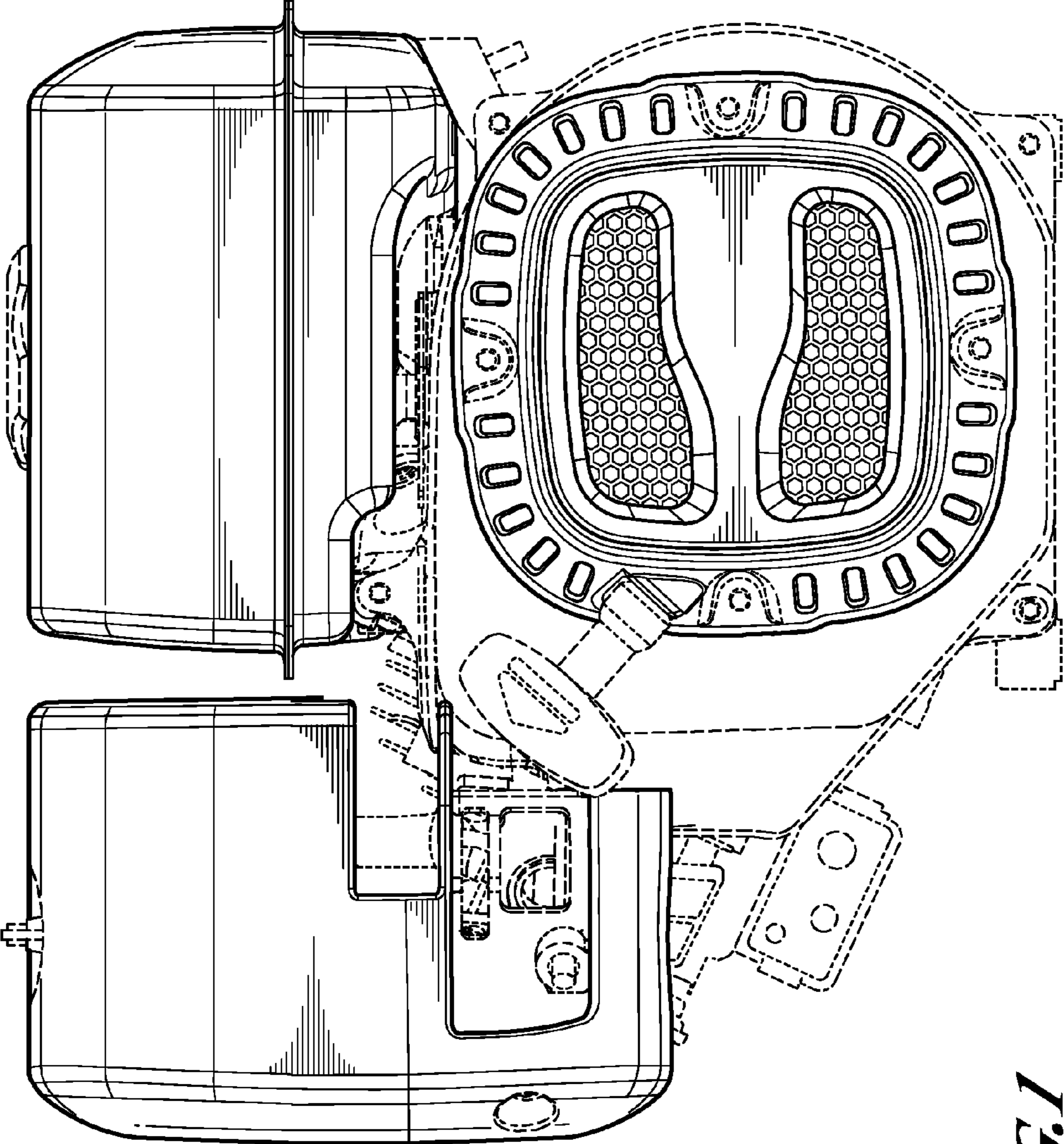
FIG. 7 is a top, front and left side perspective view of a general purpose engine; and,

FIG. 8 is a top, front and right side perspective view thereof; and,

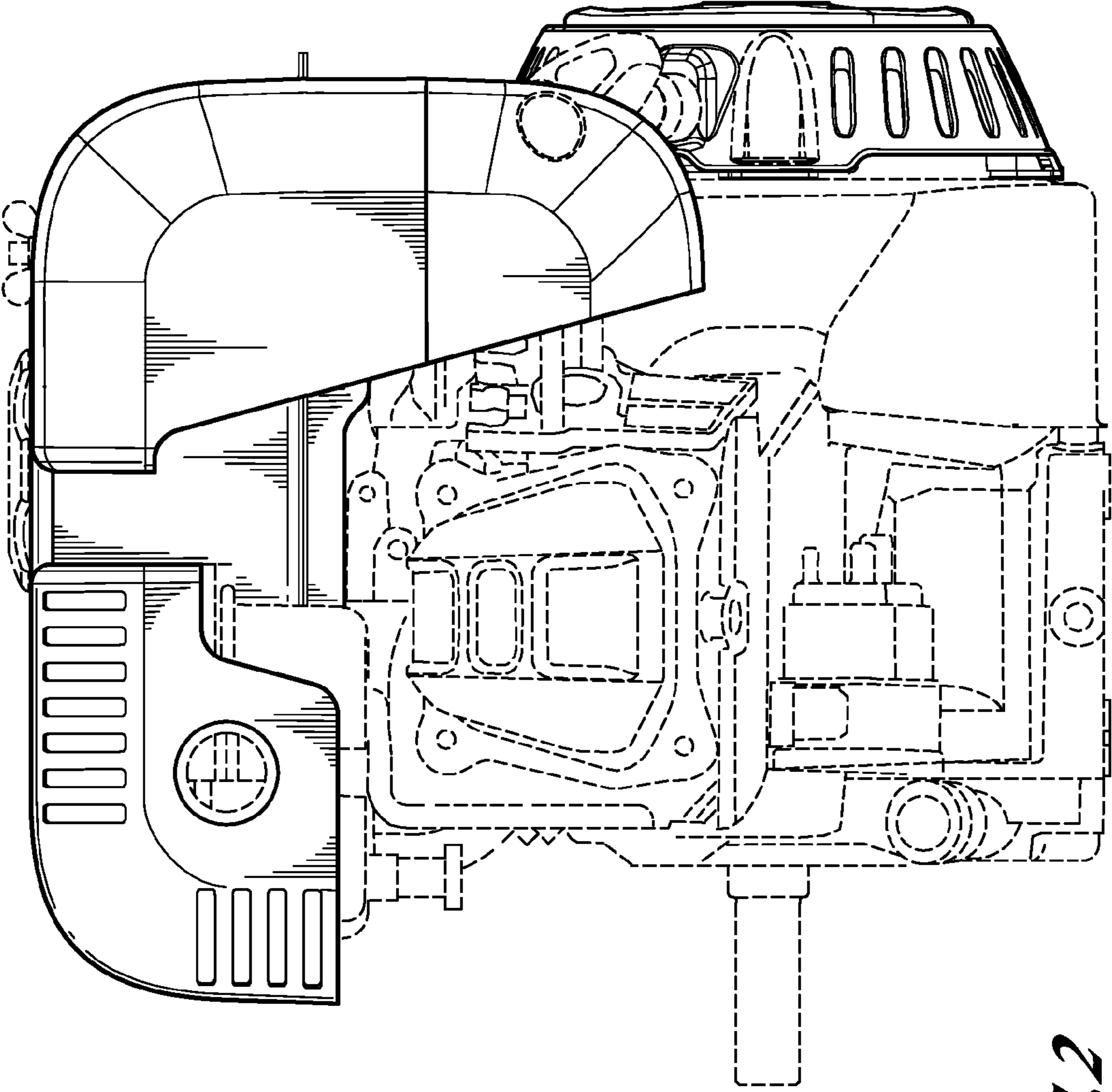
FIG. 9 is a top and rear perspective view thereof.

**1 Claim, 9 Drawing Sheets**



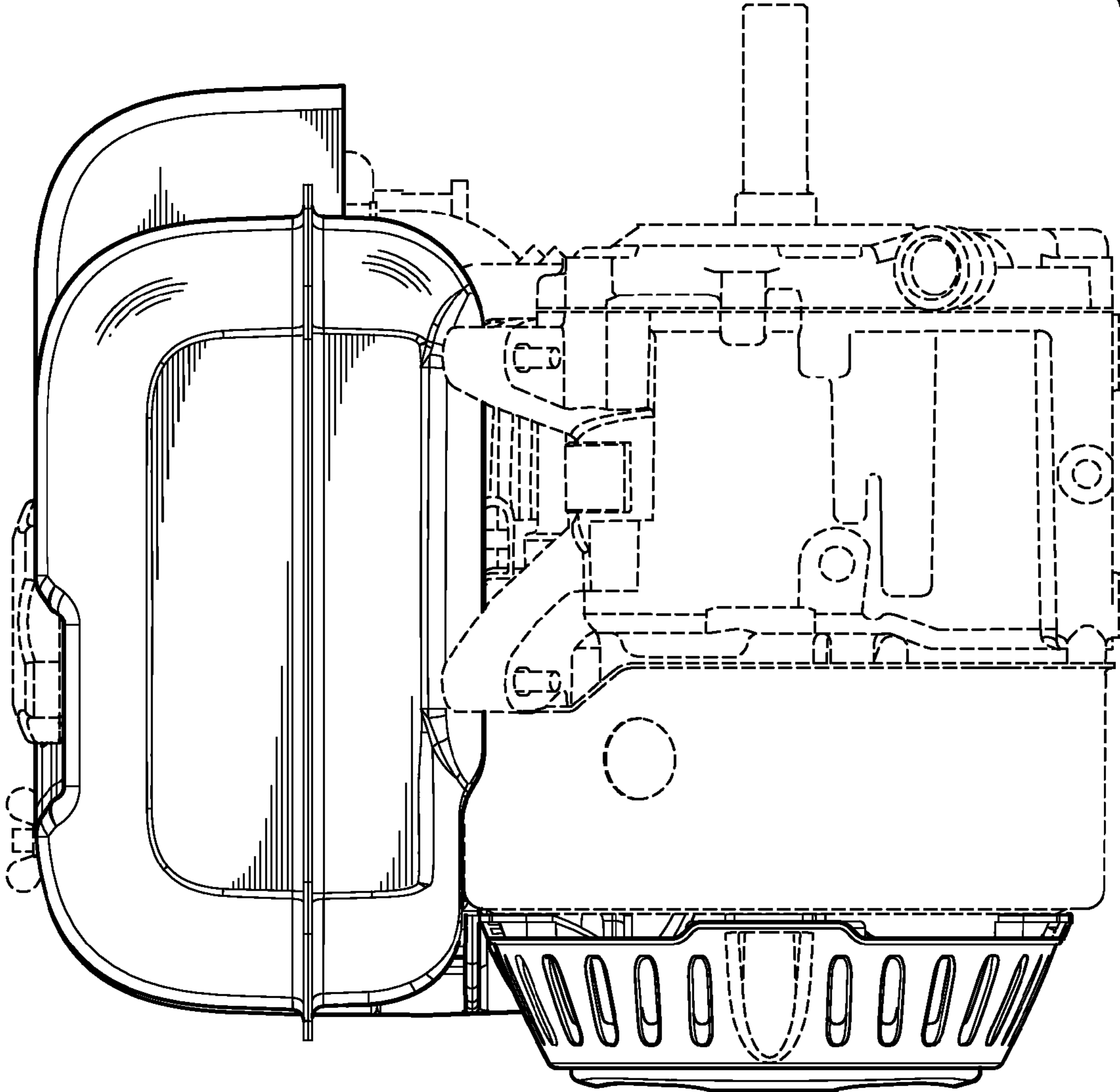


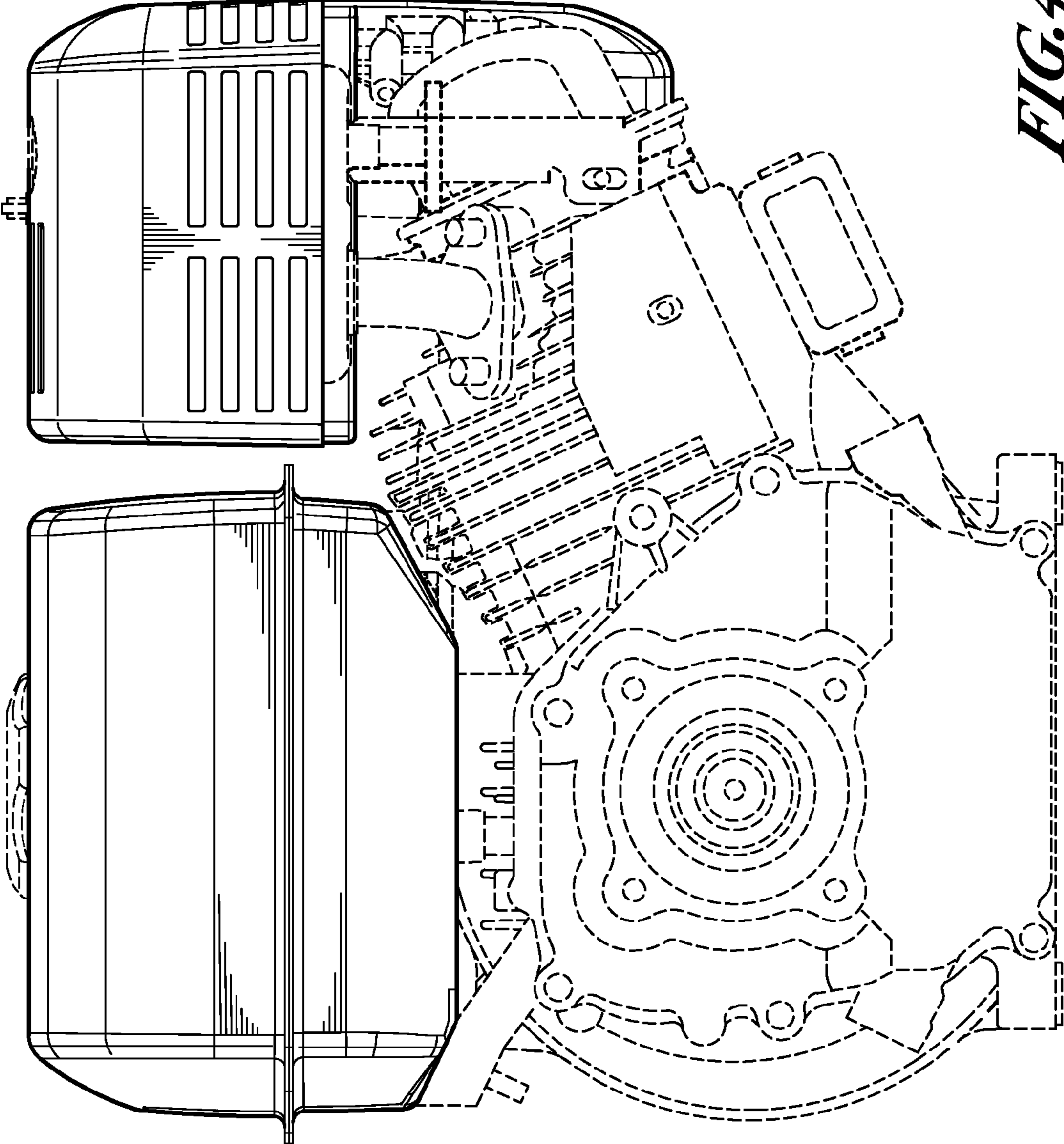
*FIG. 1*



**FIG. 2**

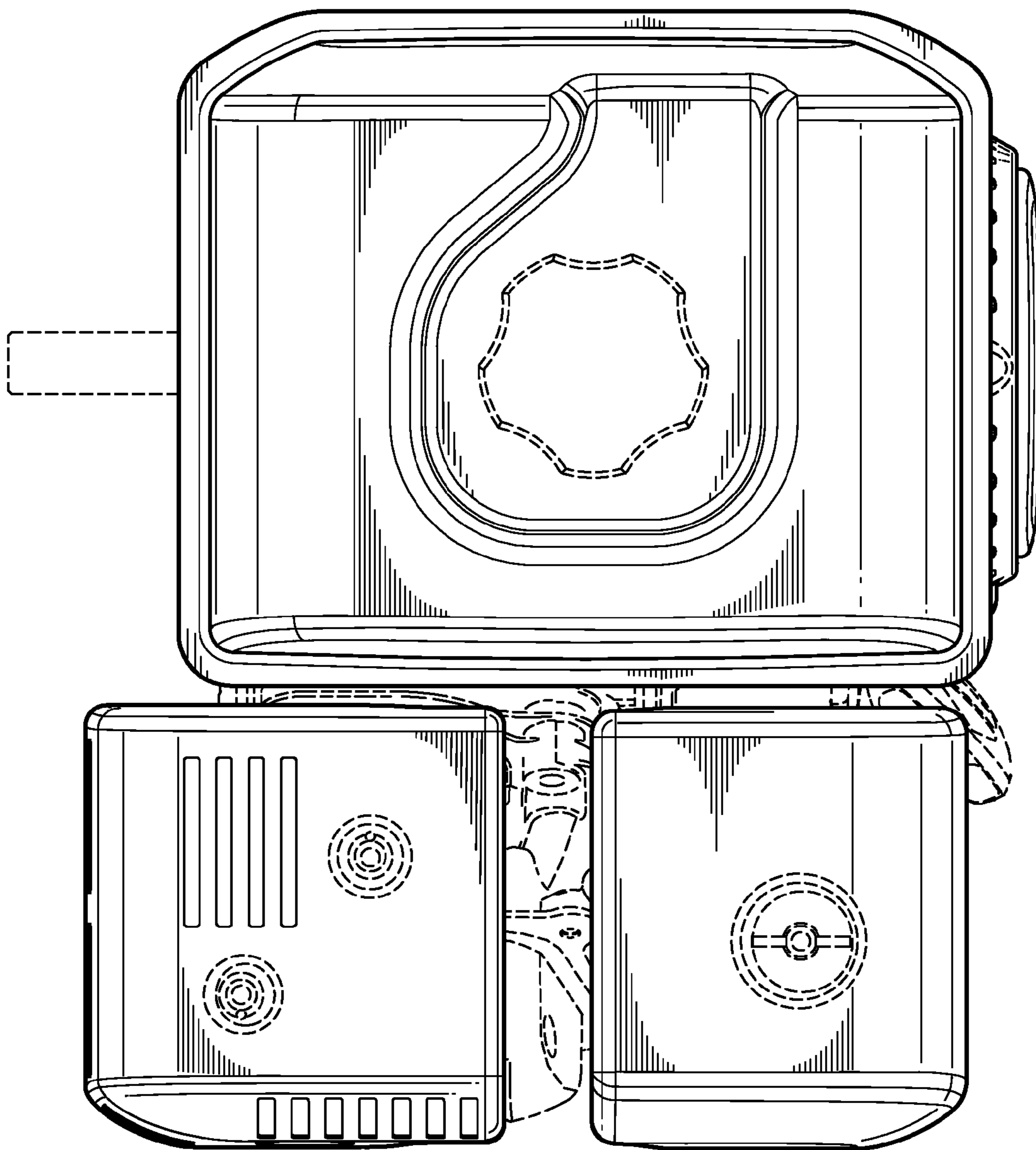
*FIG. 3*

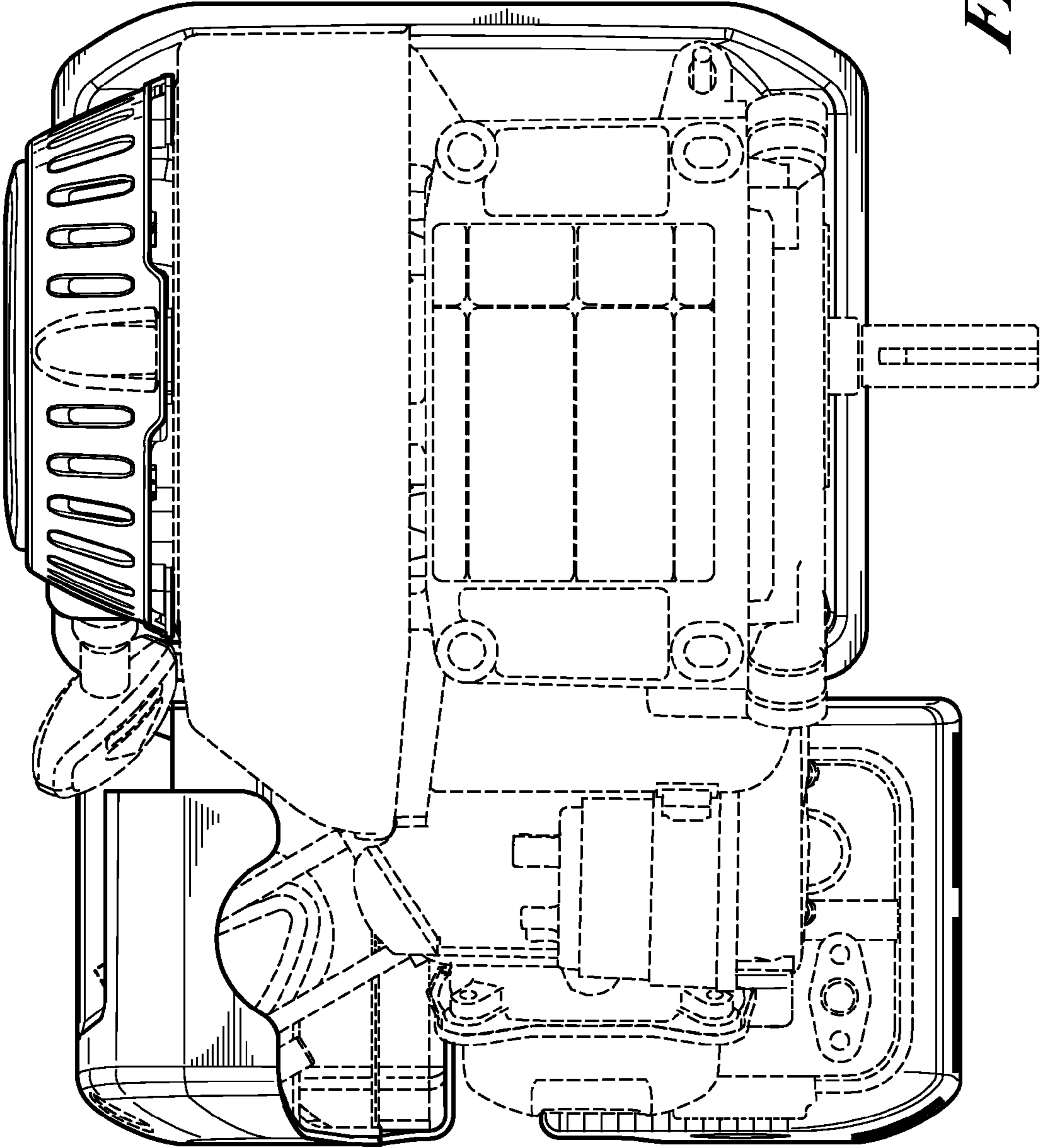




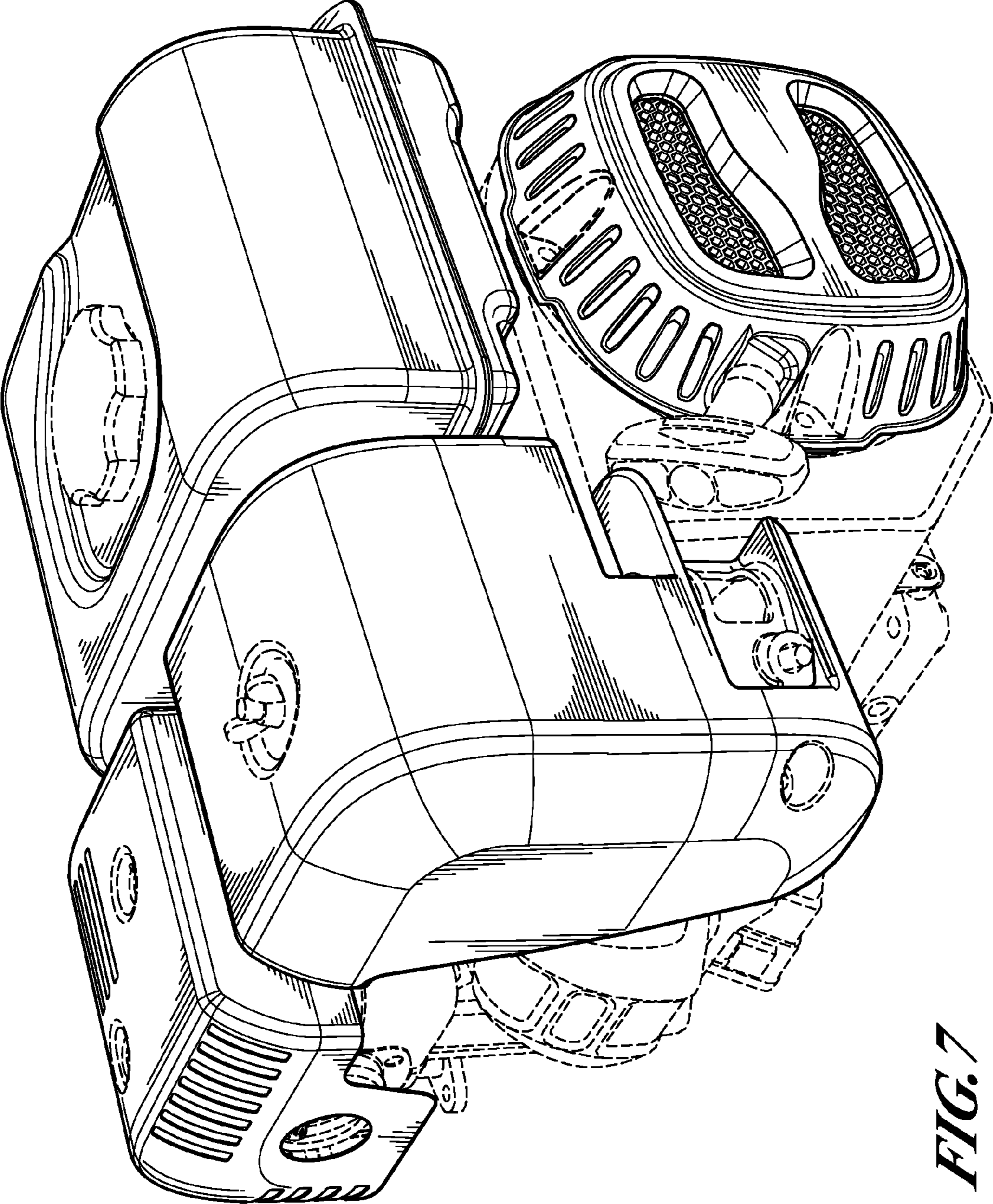
**FIG. 4**

*FIG. 5*



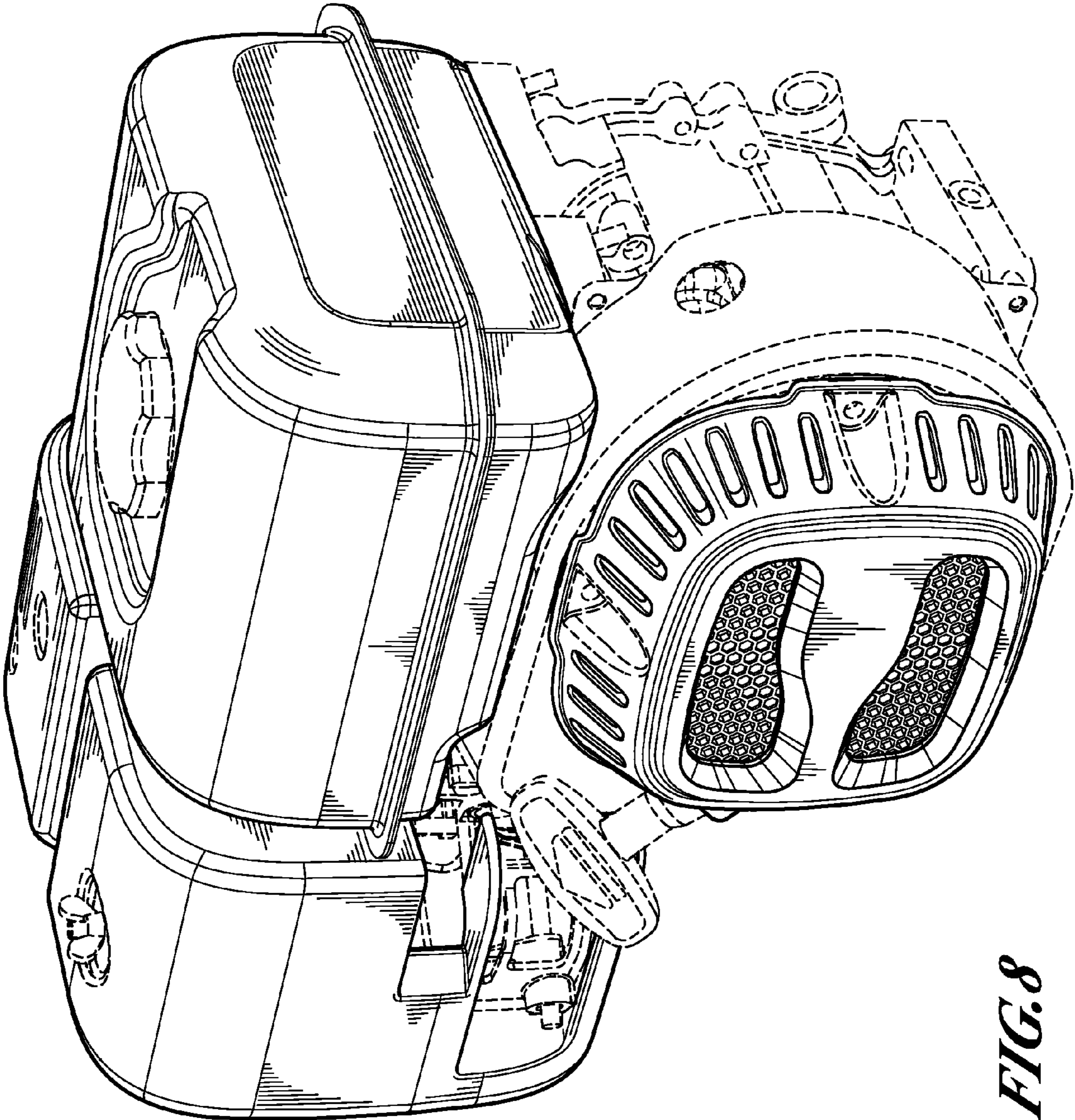


*FIG. 6*

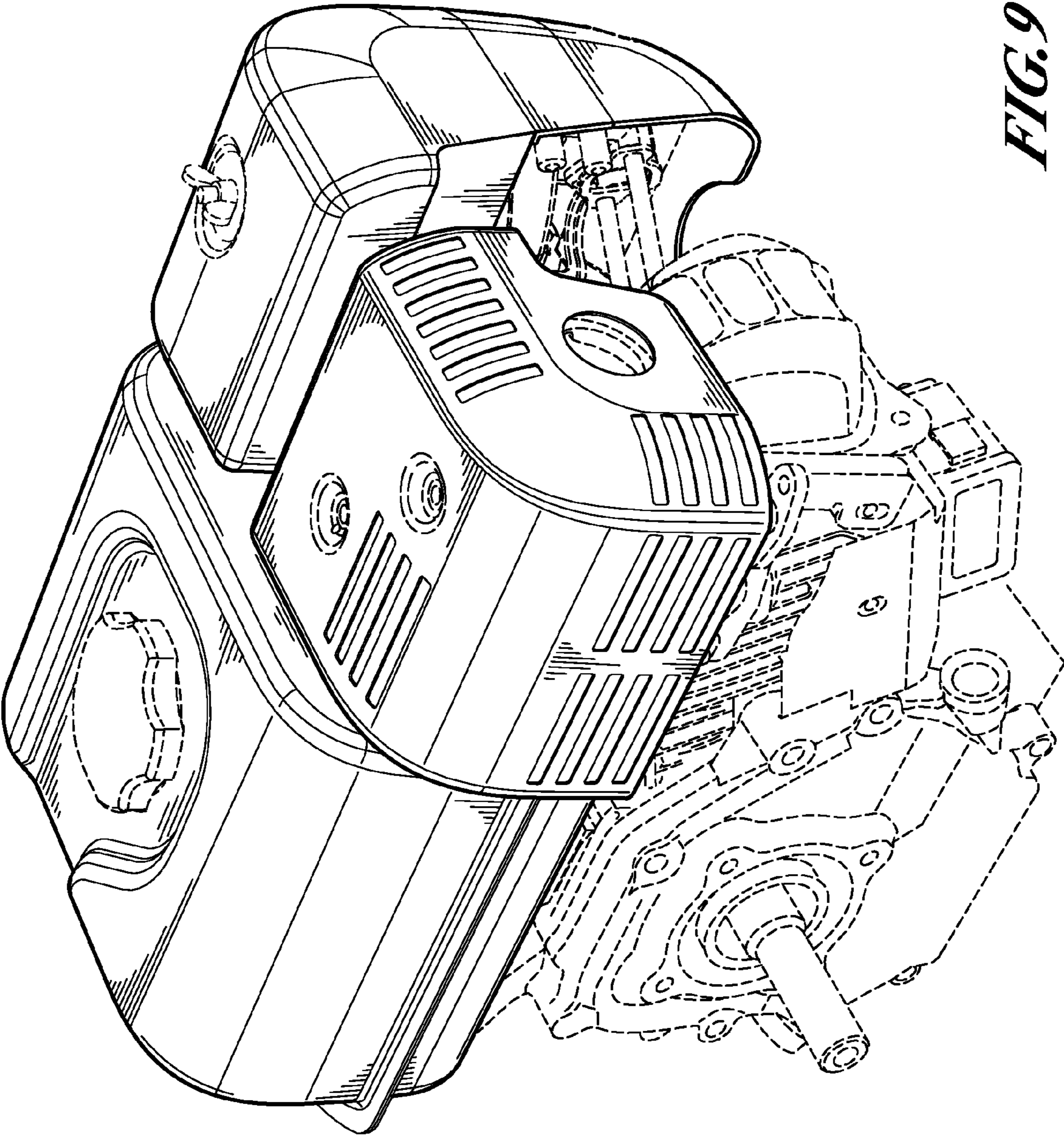


**FIG. 7**





*FIG. 8*



**FIG. 9**