



US00D576633S

(12) **United States Design Patent**
Muday et al.

(10) **Patent No.:** **US D576,633 S**
(45) **Date of Patent:** **** Sep. 9, 2008**

(54) **EXTRA-SHORT CANTILEVERED WALL MOUNT FOR A FLAT PANEL DISPLAY**

(75) Inventors: **Tom Muday**, Scottsdale, AZ (US);
Zachary Eyman, Phoenix, AZ (US);
David Anderson, Mesa, AZ (US); **Brett Stenhouse**, Phoenix, AZ (US); **Flavio Ly Hau**, Tempe, AZ (US)

(73) Assignee: **Omnimount Systems, Inc.**, Phoenix, AZ (US)

(**) Term: **14 Years**

(21) Appl. No.: **29/263,830**

(22) Filed: **Jul. 27, 2006**

(51) **LOC (8) Cl.** **14-03**

(52) **U.S. Cl.** **D14/452**

(58) **Field of Classification Search** D14/451,
D14/452, 129, 209, 217, 224, 237, 238, 239,
D14/432, 439, 447, 448; D8/349, 354, 355,
D8/363, 373, 380; 248/176.1, 201, 205.1,
248/220.21, 223.31, 231.9, 274.1, 276.1,
248/281.11, 284.1, 286.1, 309.1, 316.1, 323,
248/324, 349.1, 371, 398, 425, 917, 918,
248/919, 920, 921, 922, 923, 924, 121, 124.1,
248/127, 291.1, 313; 348/825, 827
See application file for complete search history.

(56) **References Cited**

U.S. PATENT DOCUMENTS

D281,317 S * 11/1985 Whitaker D14/224
D362,253 S * 9/1995 Vogels D14/224

6,915,996 B2 * 7/2005 Lin 248/288.51
7,000,878 B2 * 2/2006 Lin 248/276.1
D543,547 S * 5/2007 Muday et al. D14/452
D543,548 S * 5/2007 Muday et al. D14/452
7,261,265 B2 * 8/2007 Burns 248/276.1
D557,126 S * 12/2007 Worrall et al. D8/380
2004/0262474 A1 * 12/2004 Boks et al. 248/276.1
2005/0092873 A1 * 5/2005 Lin 248/125.9
2005/0127261 A1 * 6/2005 Lin 248/288.51
2006/0181637 A1 * 8/2006 Oddsen et al. 348/373
2007/0221794 A1 * 9/2007 Li 248/124.1

* cited by examiner

Primary Examiner—Cathron Brooks

Assistant Examiner—Angela J Lee

(74) *Attorney, Agent, or Firm*—Hogan & Hartson LLP

(57) **CLAIM**

The ornamental design for an extra-short cantilevered wall mount for a flat panel display, as shown and described.

DESCRIPTION

FIG. 1 is a top, right isometric view of an embodiment of an extra-short cantilevered wall mount for a flat panel display showing our design.

FIG. 2 is a front elevational view thereof.

FIG. 3 is a rear elevational view thereof.

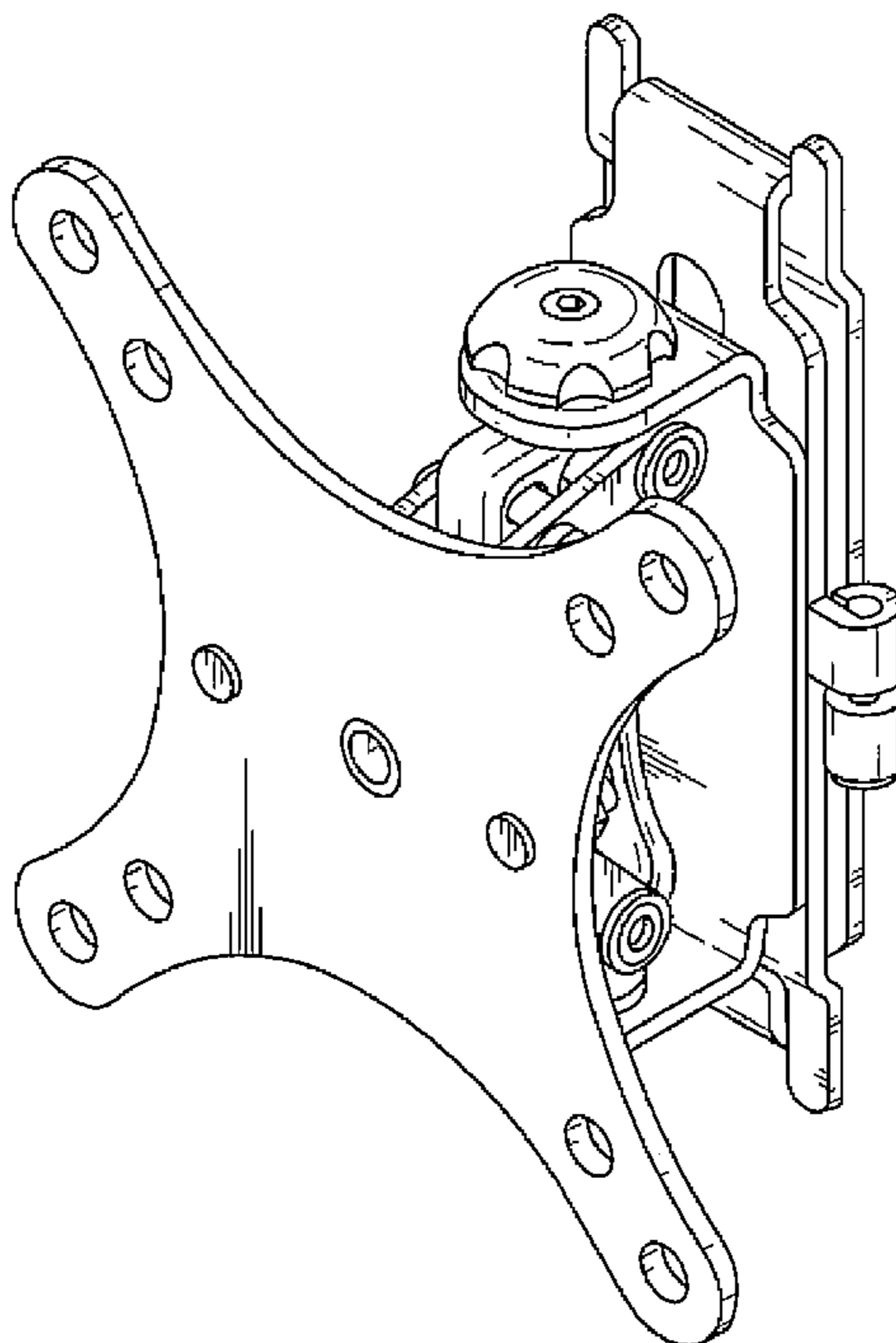
FIG. 4 is a right elevational view thereof.

FIG. 5 is a left elevational view thereof.

FIG. 6 is a top plan view thereof; and,

FIG. 7 is a bottom plan view thereof.

1 Claim, 4 Drawing Sheets



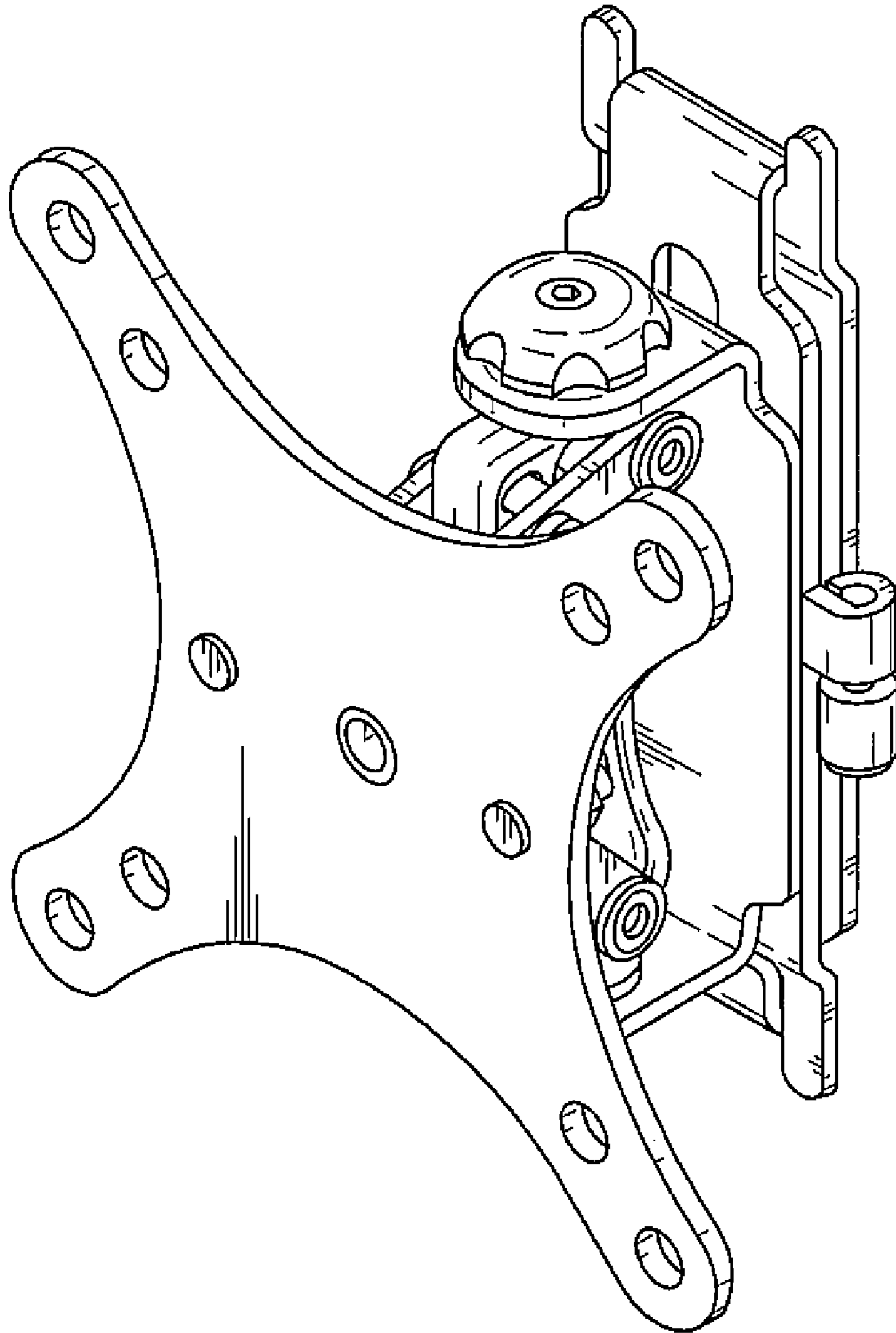


FIG. 1

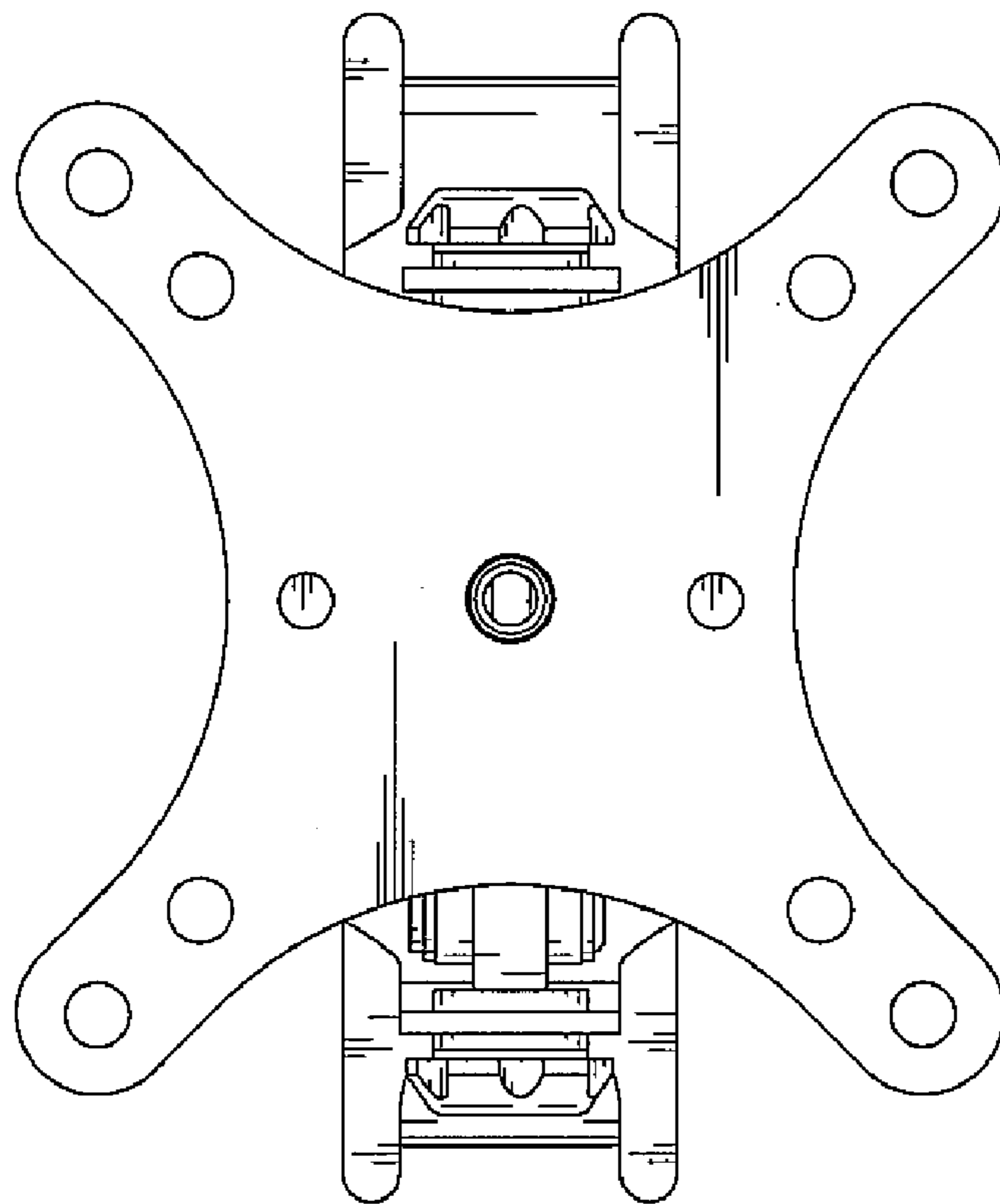


FIG. 2

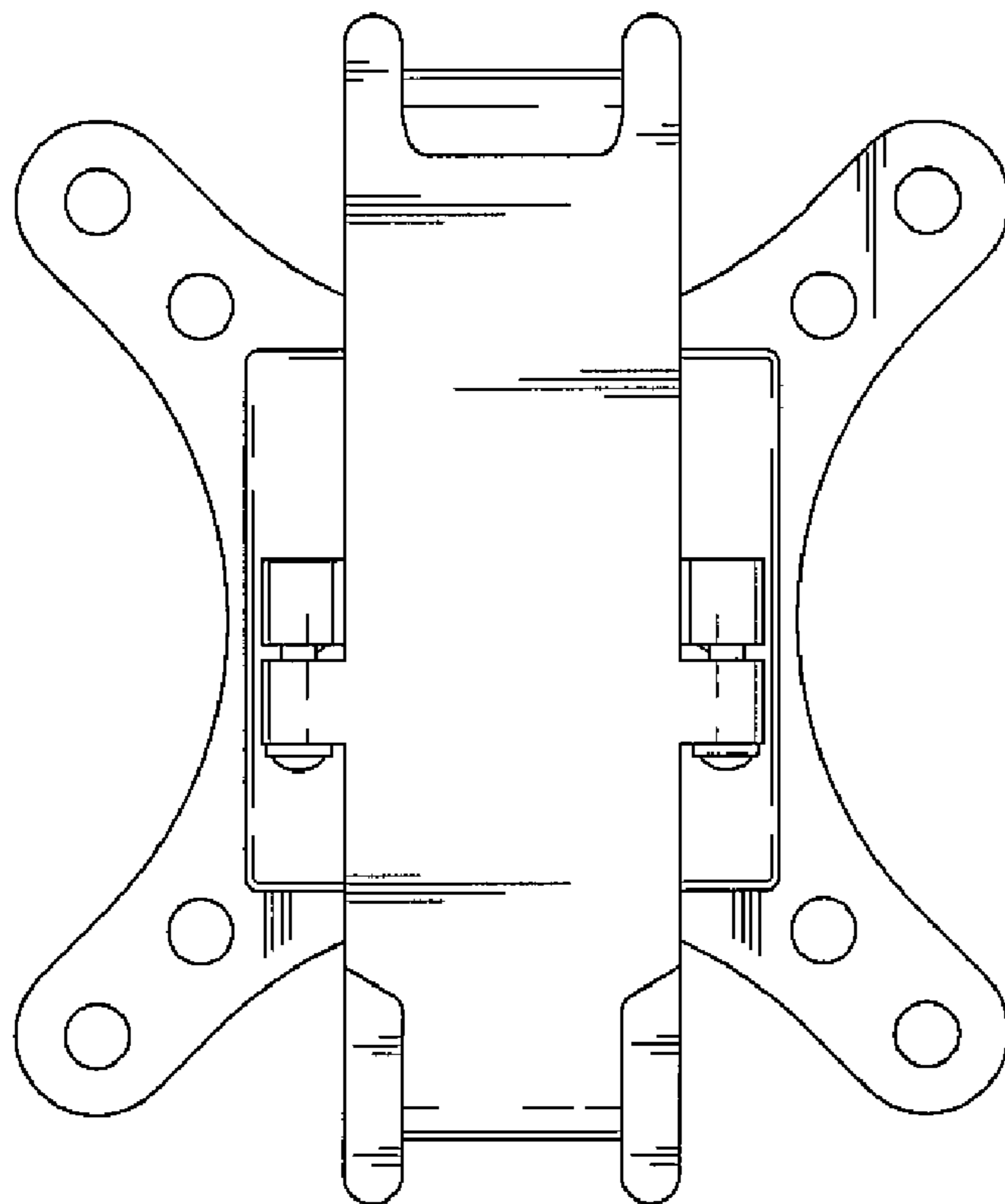


FIG. 3

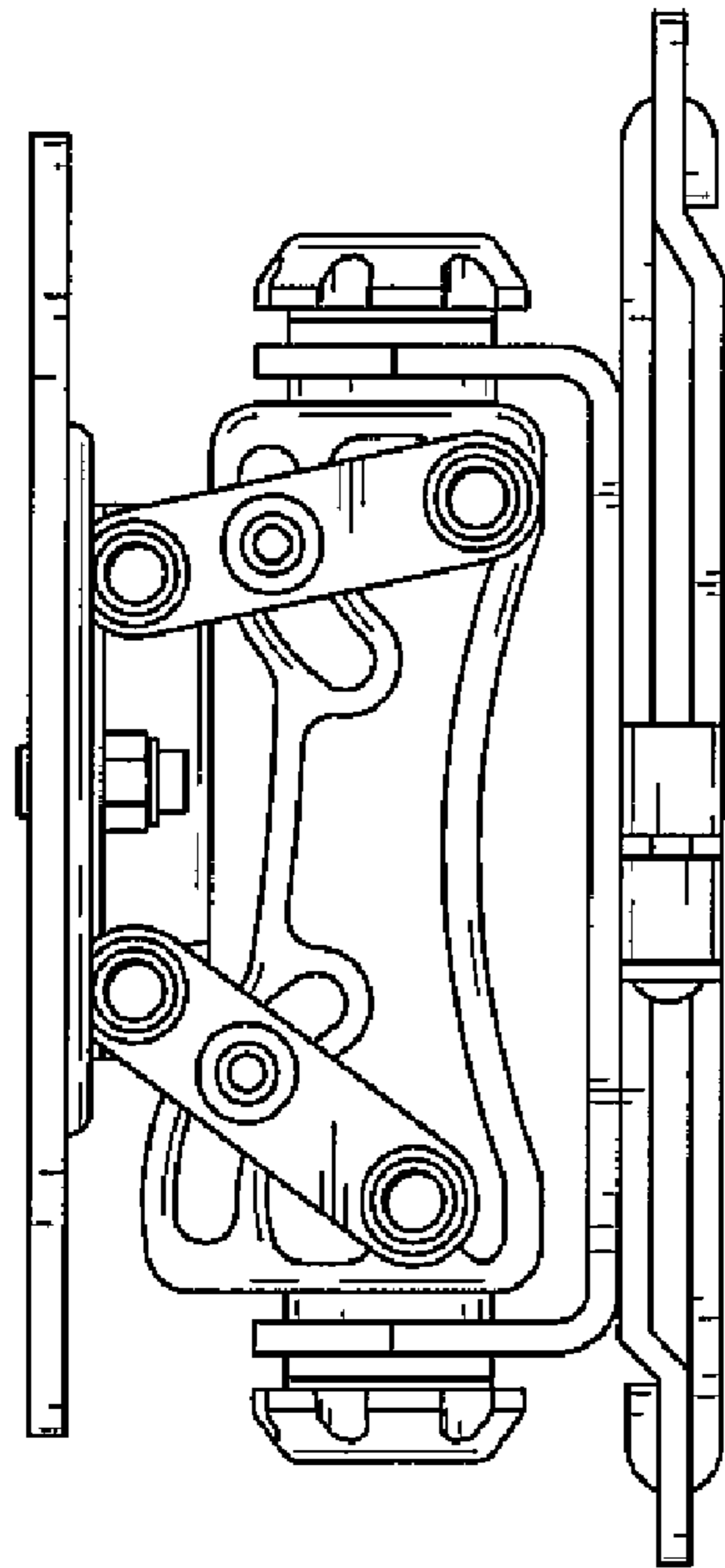


FIG. 4

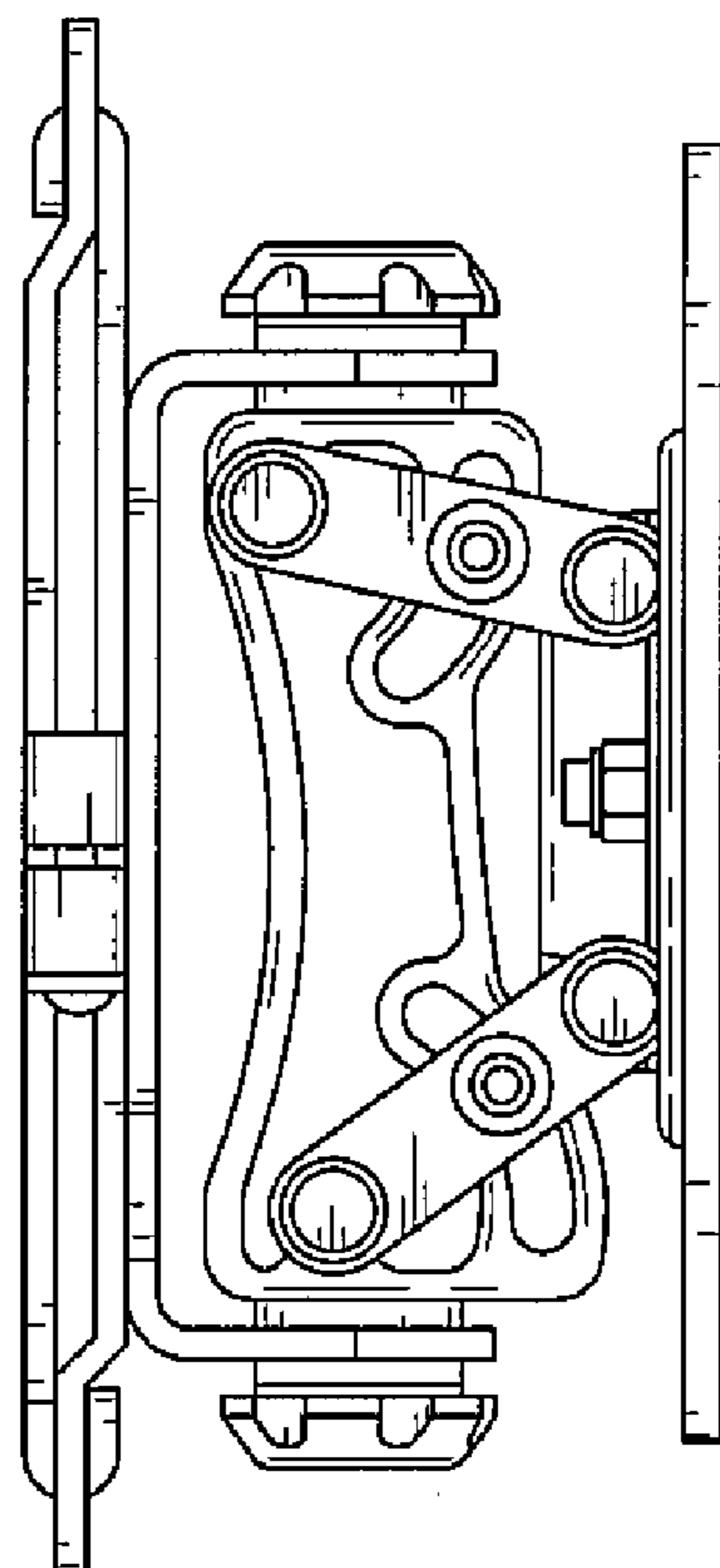


FIG. 5

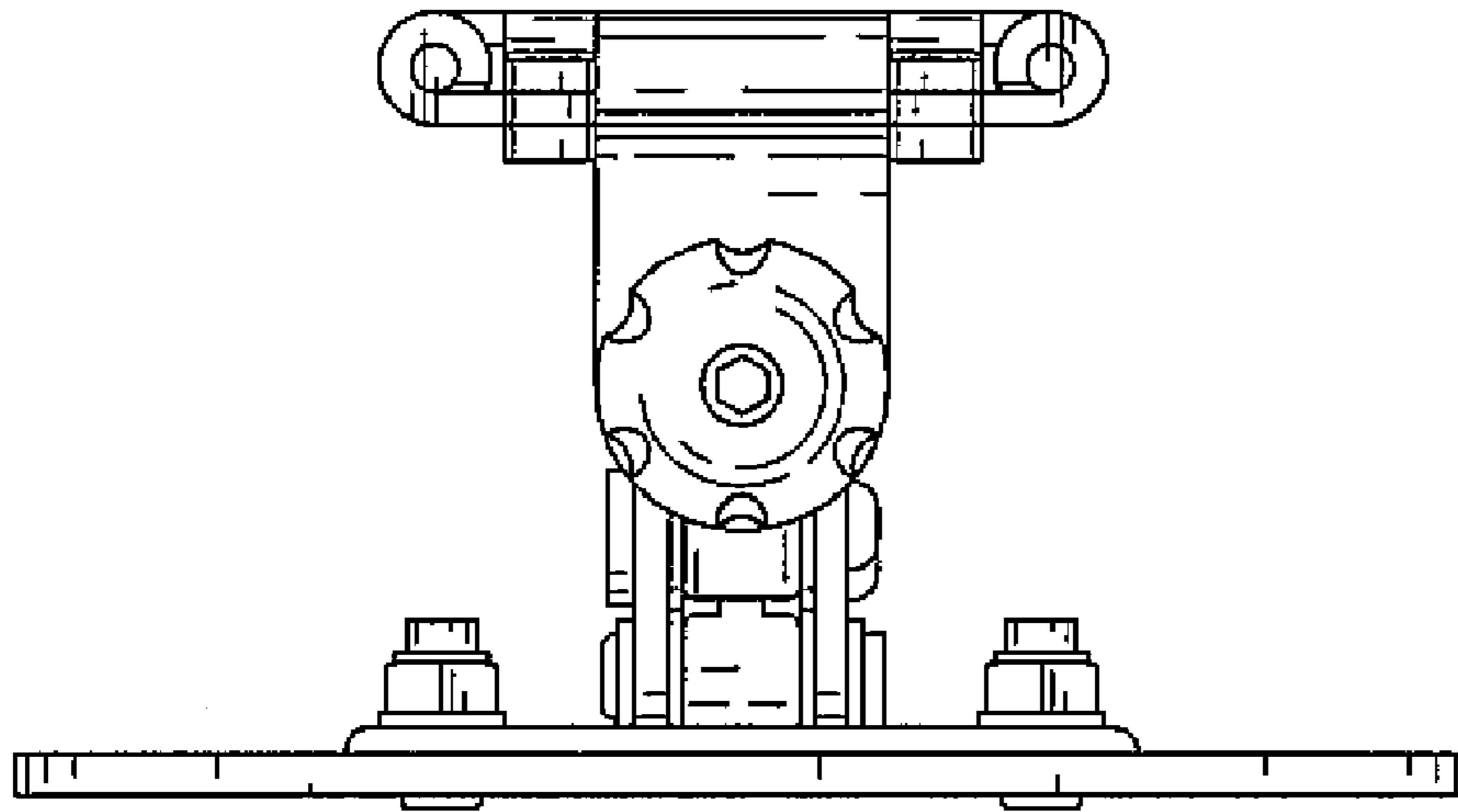


FIG. 6

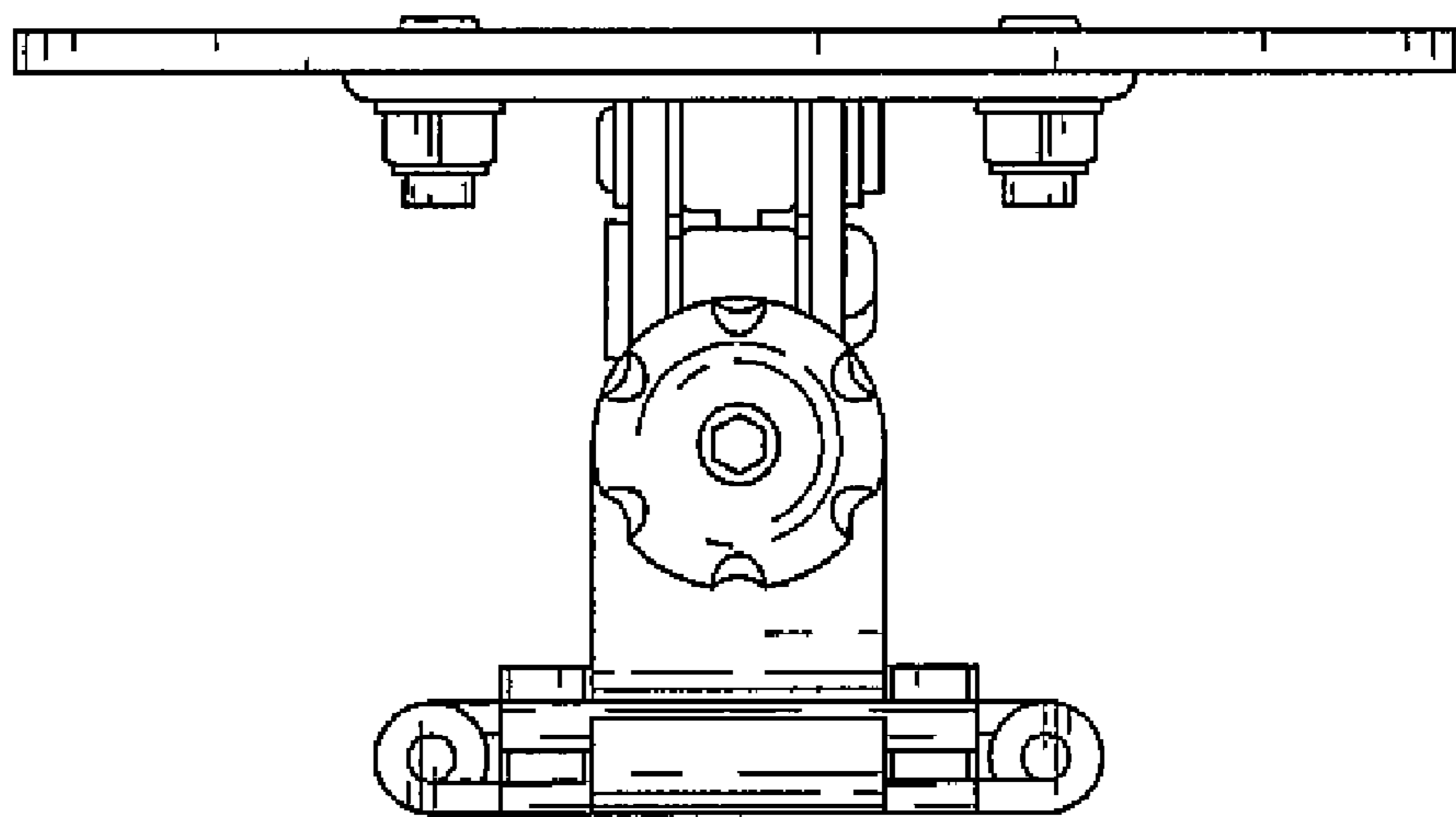


FIG. 7