



US00D576631S

(12) **United States Design Patent**  
**Richter**

(10) **Patent No.:** **US D576,631 S**

(45) **Date of Patent:** **\*\* Sep. 9, 2008**

(54) **INSTRUMENT SUPPORT HOLDER**

(57) **CLAIM**

(76) Inventor: **Harald Richter**, Höhenstrasse 32, 75331 Engelbrand (DE)

The ornamental design for an instrument support holder, as shown and described.

(\*\*) Term: **14 Years**

**DESCRIPTION**

(21) Appl. No.: **29/218,703**

FIG. 1 is a front view of an instrument support holder;

(22) Filed: **Dec. 6, 2004**

FIG. 2 is a rear view of the instrument support holder shown in FIG. 1;

(51) **LOC (8) Cl.** ..... **08-07**

FIG. 3 is a right side view of the instrument support holder shown in FIG. 1, with the support column extended, a left side view being the same but mirror-reversed;

(52) **U.S. Cl.** ..... **D14/447**

(58) **Field of Classification Search** ..... D8/363;  
D14/251-253, 447; 248/220.2, 220.21, 279.1,  
248/284.1, 311.2

See application file for complete search history.

FIG. 4 is the same side view of the instrument support holder as that shown in FIG. 1, however with the support column partially retracted, a left side view being the same but mirror-reversed;

(56) **References Cited**

**U.S. PATENT DOCUMENTS**

D269,945	S *	8/1983	Carney	.....	D8/355
D324,865	S *	3/1992	Cooper	.....	D14/253
D332,789	S *	1/1993	Rak	.....	D14/251
D337,333	S *	7/1993	Turk	.....	D14/251
5,740,995	A *	4/1998	Richter	.....	248/220.21
D487,270	S *	3/2004	Richter	.....	D14/447
6,749,160	B1 *	6/2004	Richter	.....	248/206.2
2004/0155164	A1 *	8/2004	Richter	.....	248/274.1

FIG. 5 is a right side view of the instrument support holder like that shown in FIG. 3, however with an elongated pivot arm mounted on the support column, a left side view being the same but mirror-reversed;

FIG. 6 is a top view of the instrument support holder as shown in FIG. 2; and,

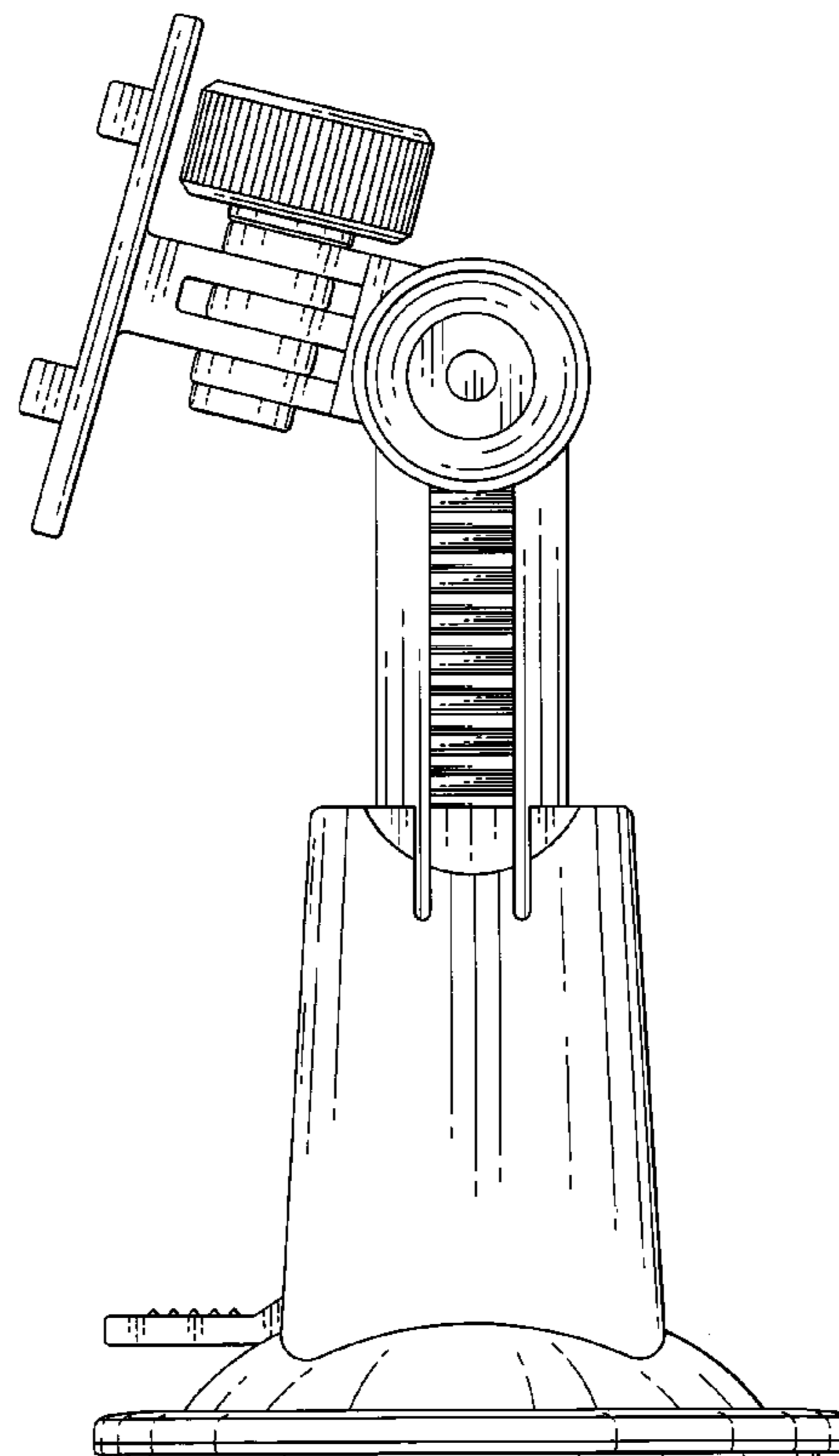
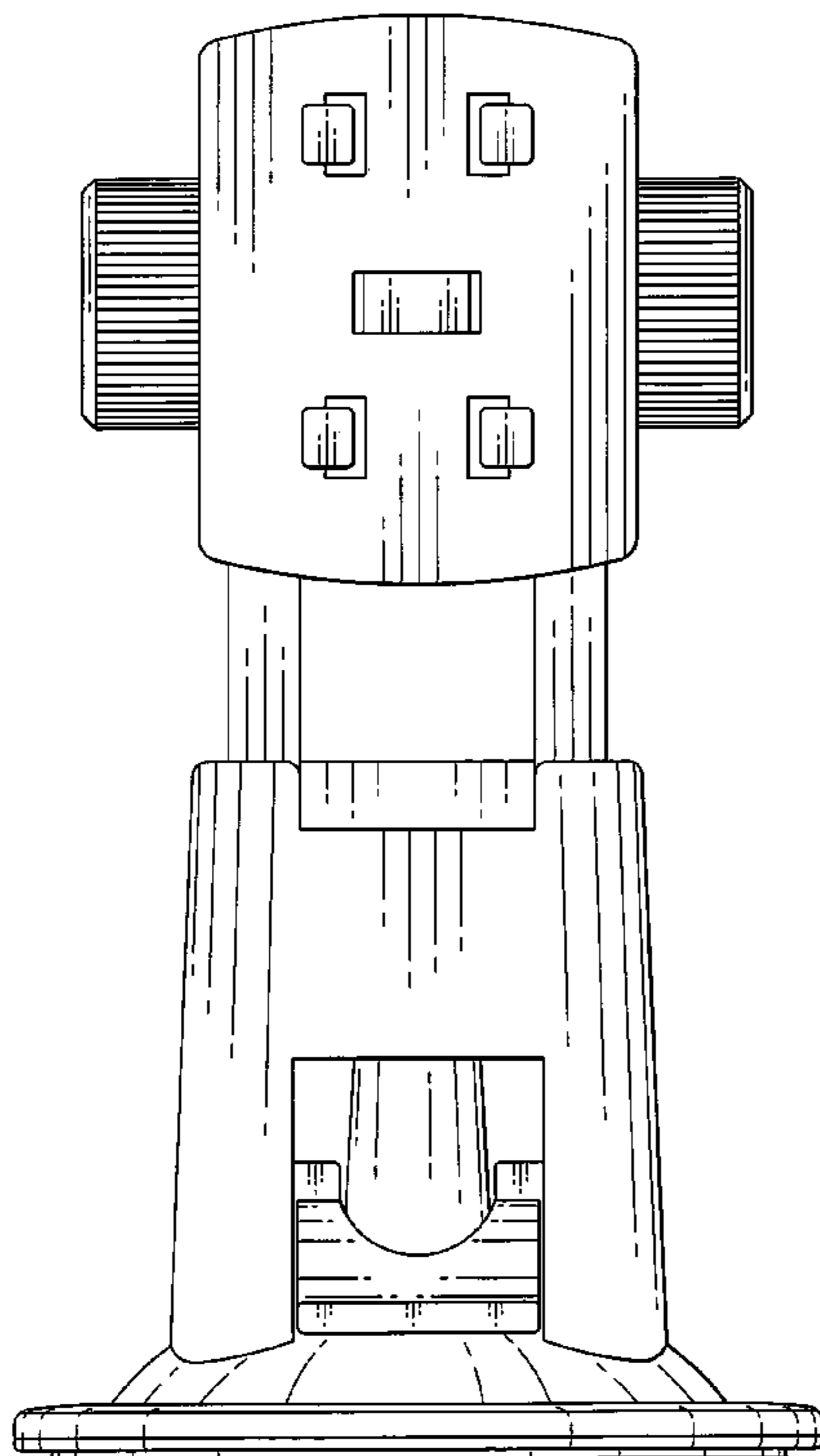
FIG. 7 is a bottom view of the instrument support holder as shown in FIG. 2.

The instrument support holder is used for mounting supports for instruments such as mobile telephones, had-held computers in postions convenient for the user.

\* cited by examiner

*Primary Examiner*—Holly H Baynham  
(74) *Attorney, Agent, or Firm*—Klaus J. Bach

**1 Claim, 6 Drawing Sheets**



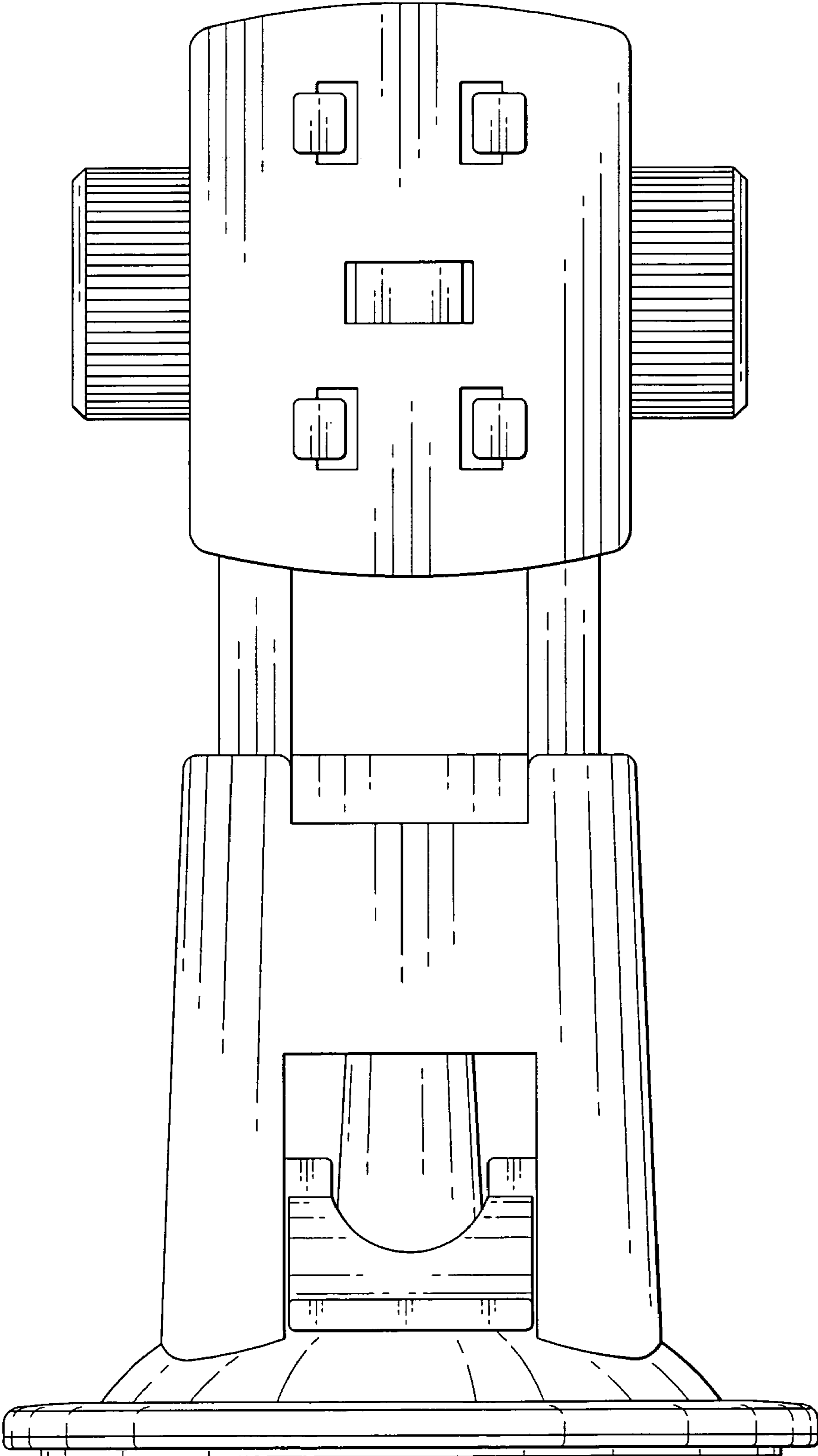


FIG. 1

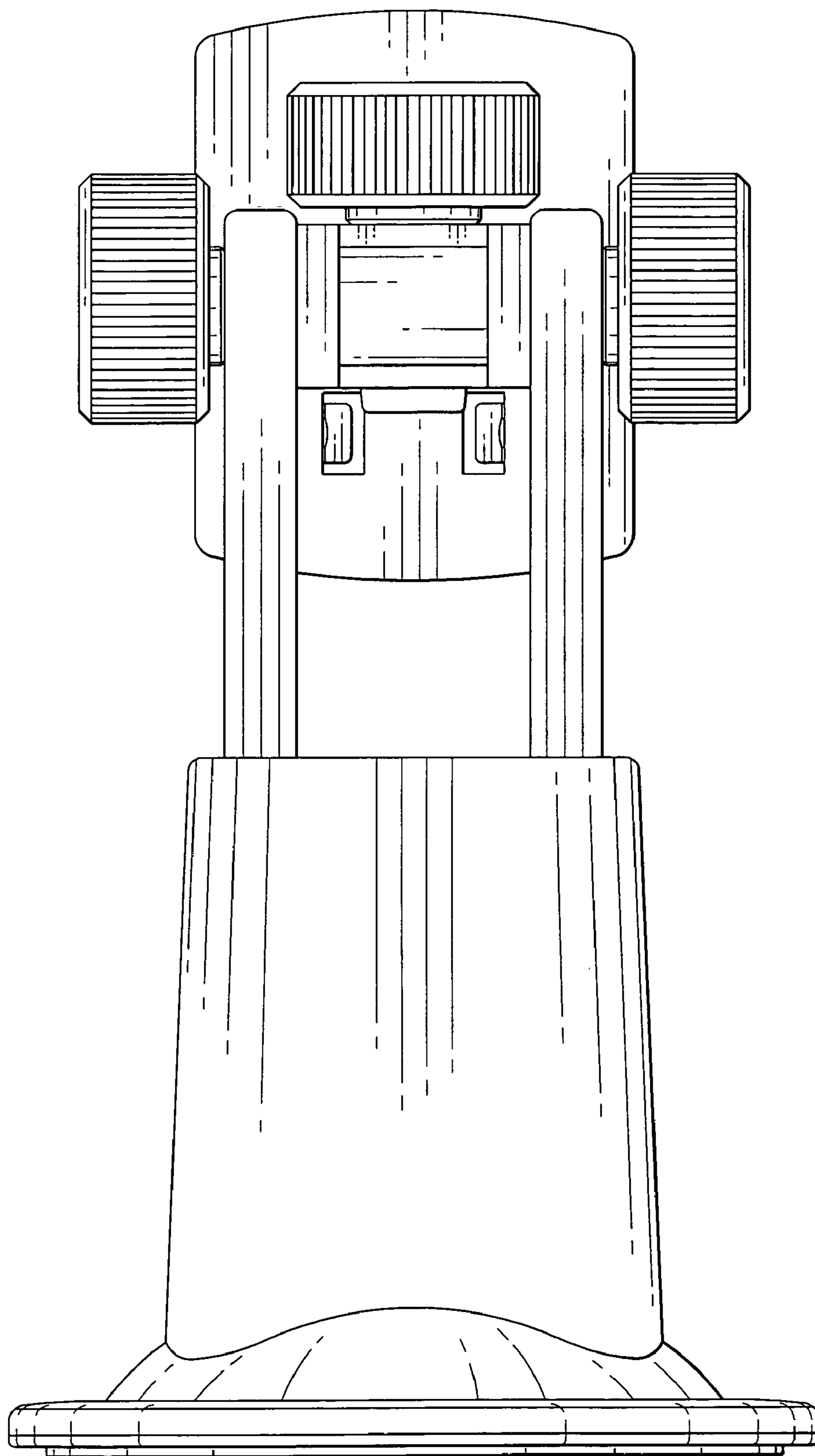


FIG. 2

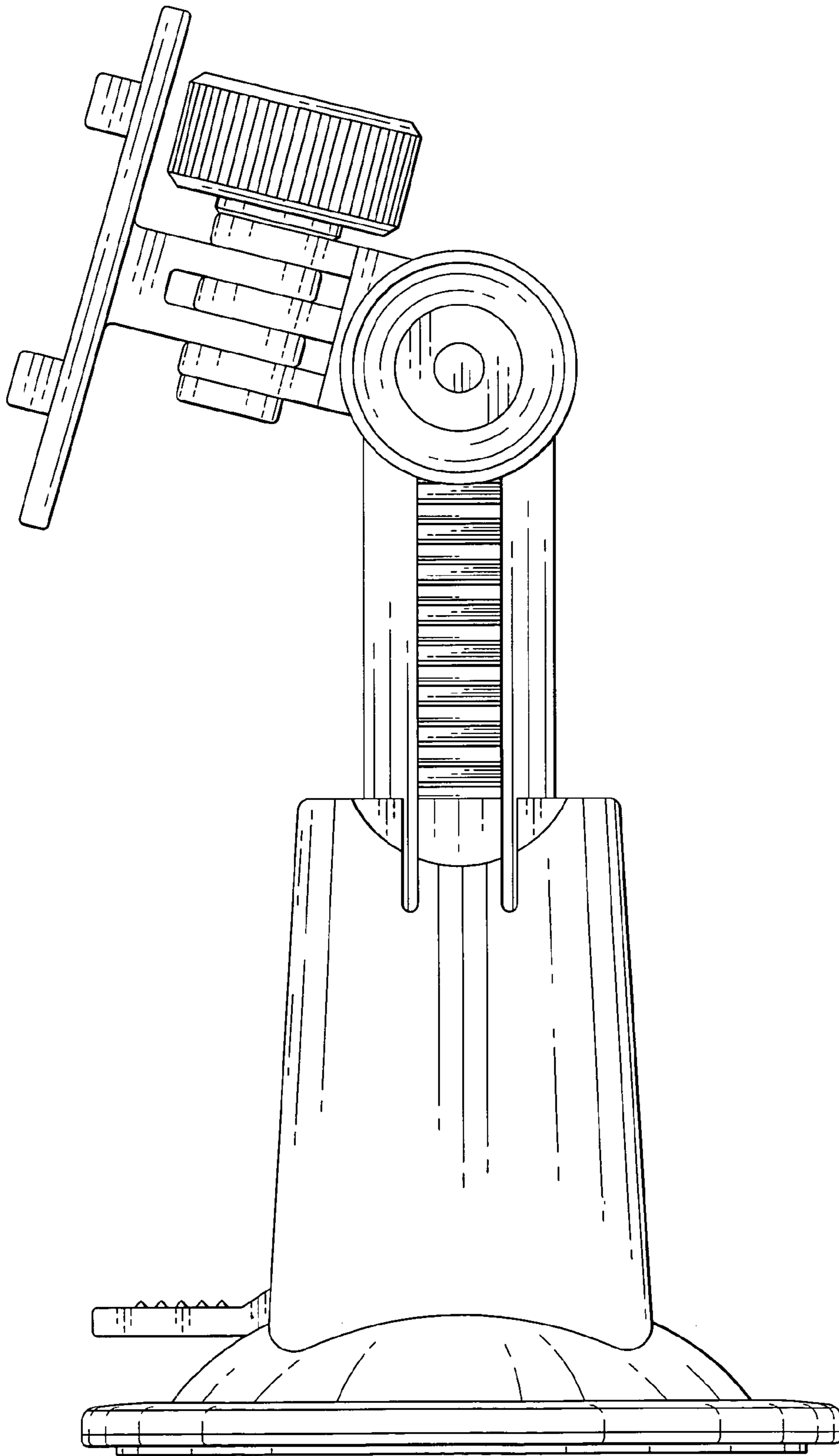


FIG. 3

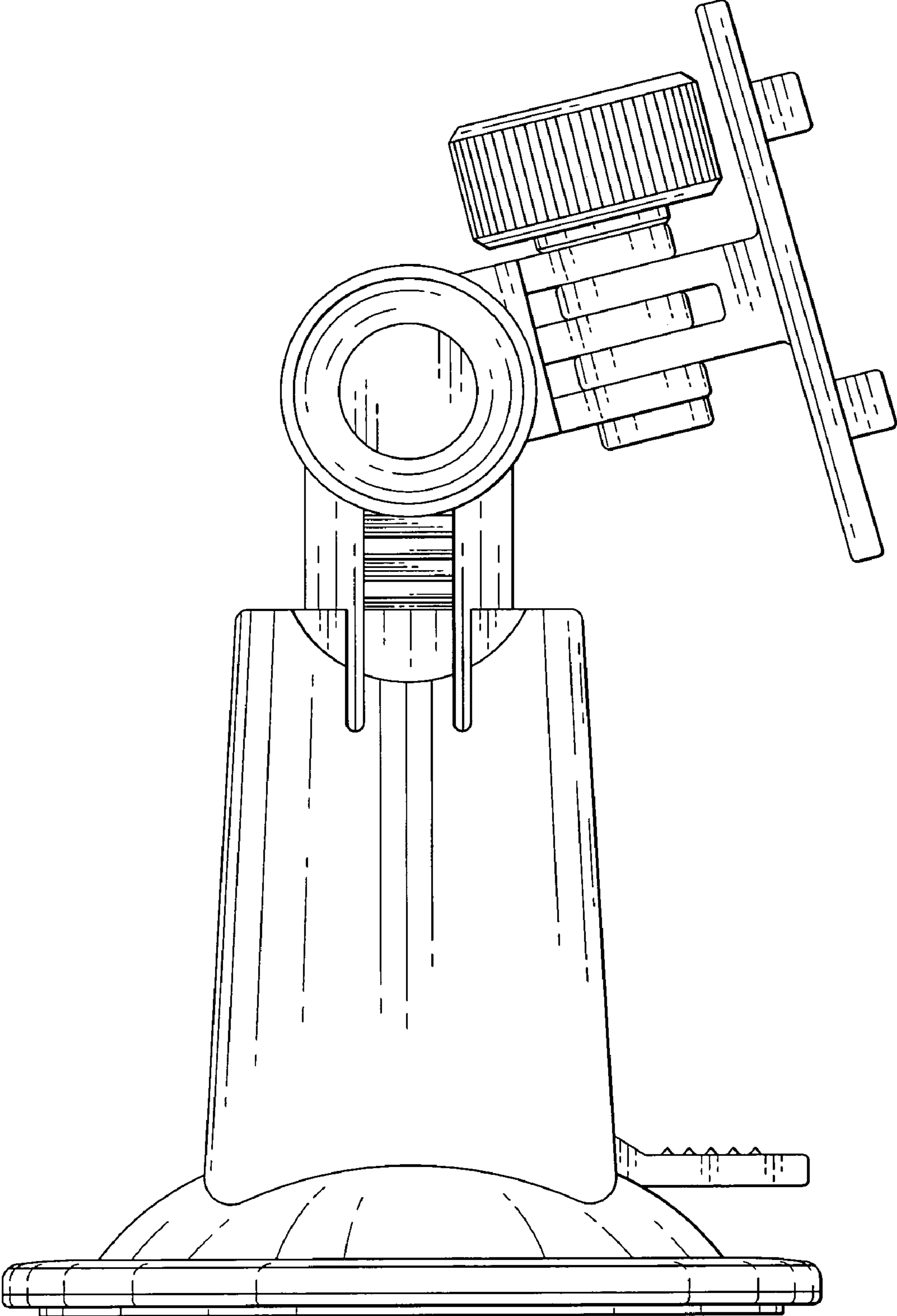


FIG. 4

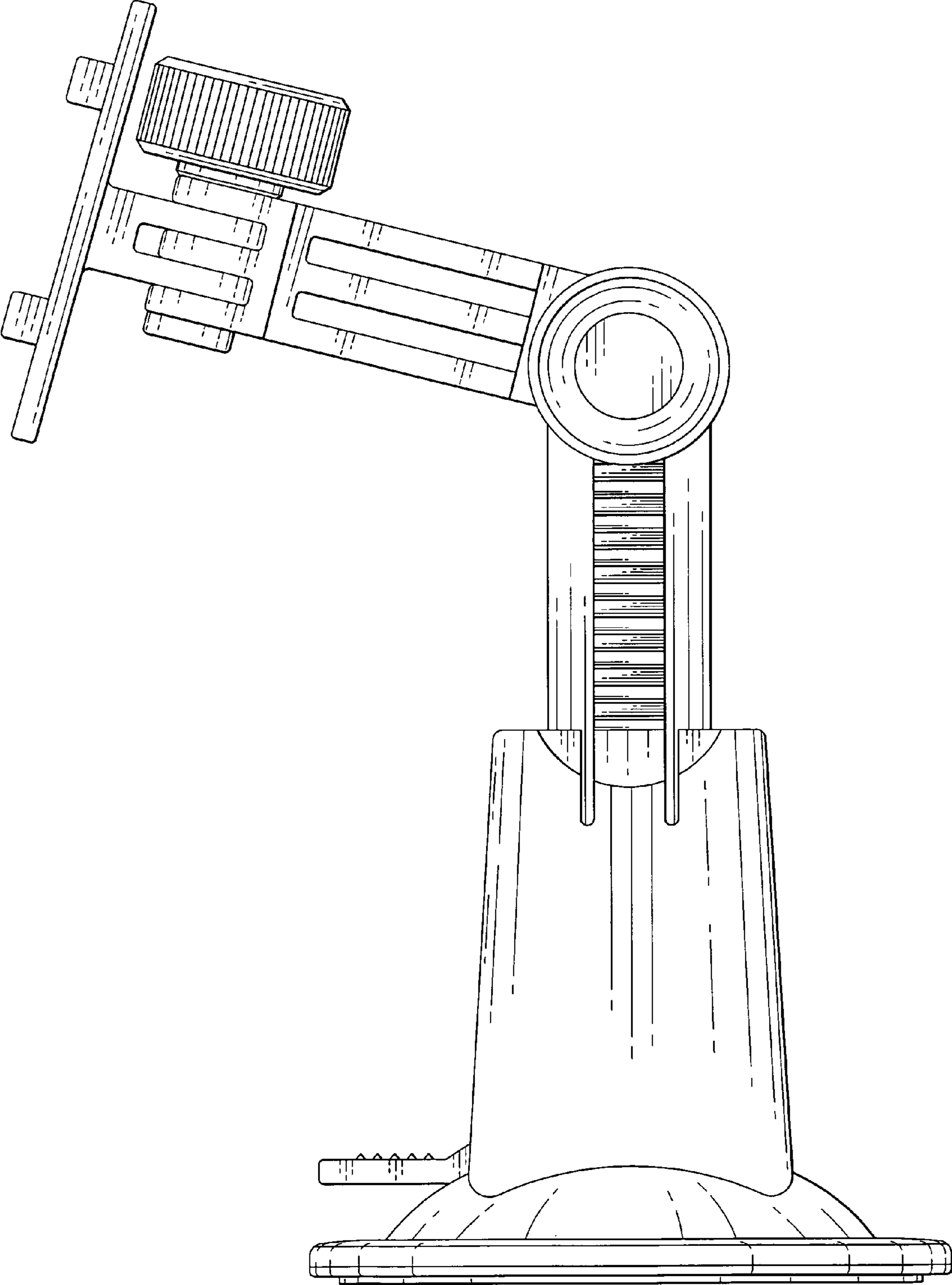


FIG. 5

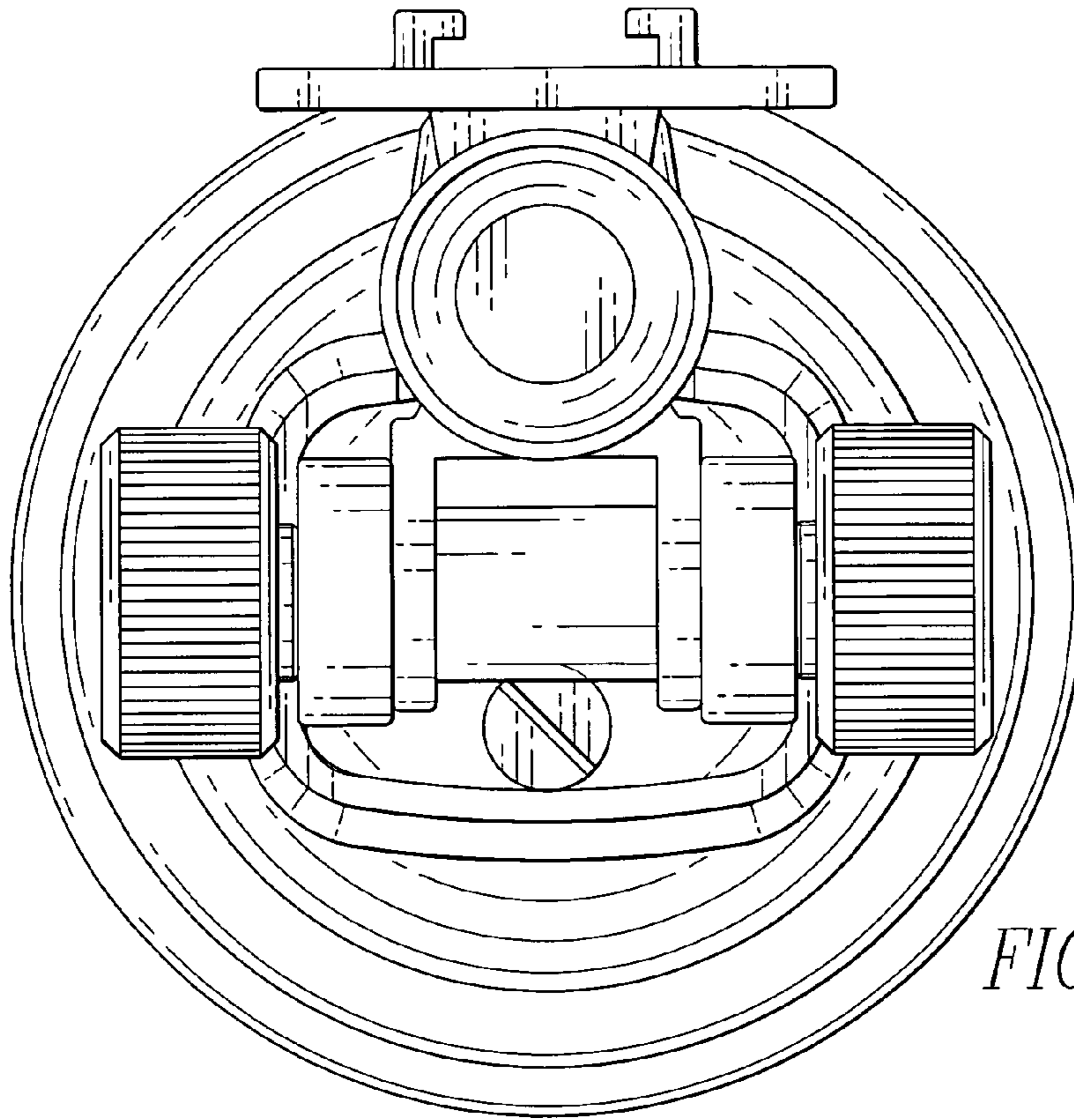


FIG. 6

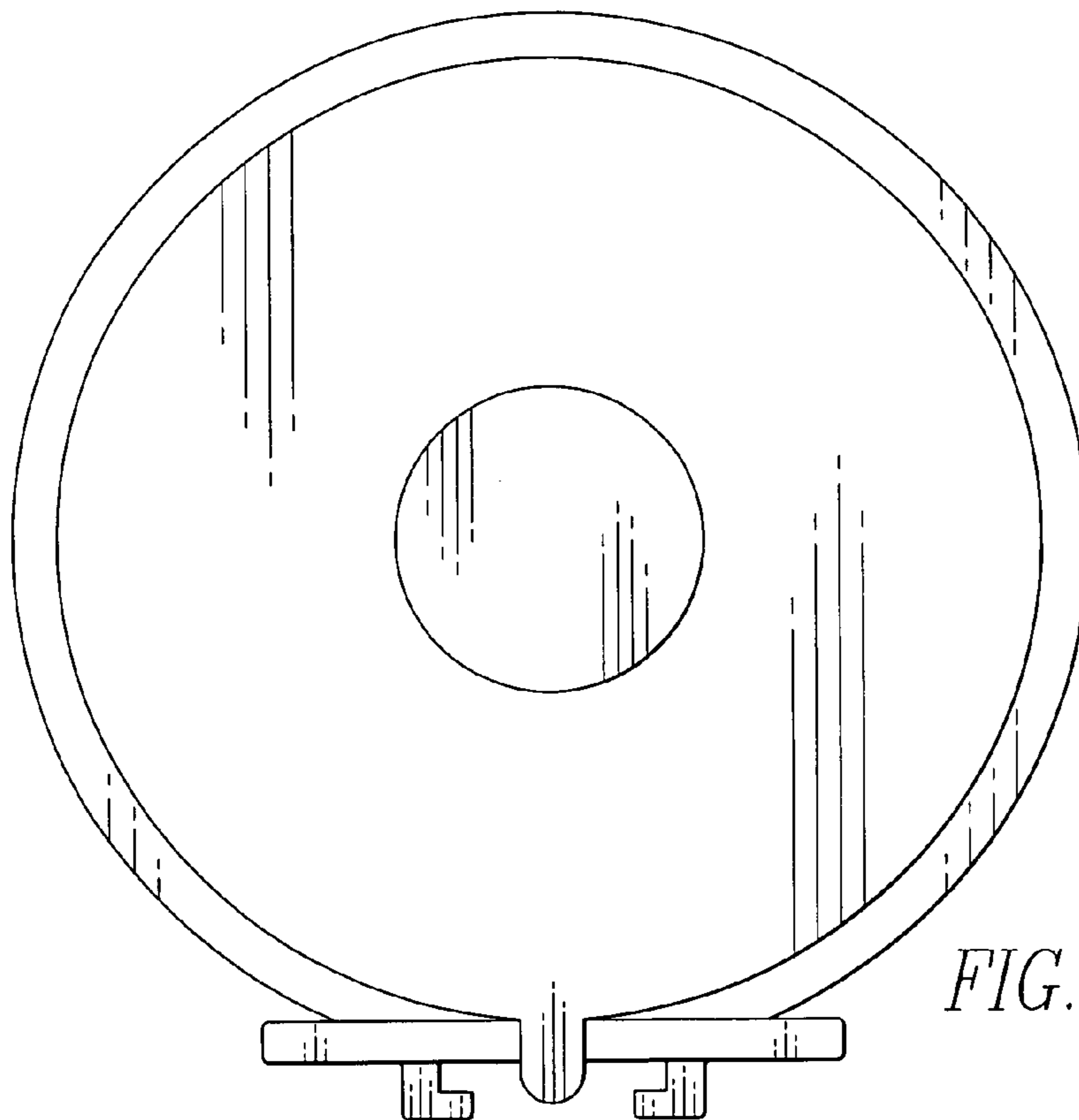


FIG. 7