



US00D576629S

(12) **United States Design Patent**
Zhu et al.

(10) **Patent No.:** **US D576,629 S**
(45) **Date of Patent:** **** Sep. 9, 2008**

(54) **FRONT BEZEL FOR COMPUTER ENCLOSURE**

D435,560 S * 12/2000 Jean et al. D14/444
D466,126 S * 11/2002 Chen et al. D14/446
D516,569 S * 3/2006 Chen et al. D14/444

(75) Inventors: **Yan-Lin Zhu**, Shenzhen (CN);
Chun-Chi Liang, Taipei Hsien (TW);
Jiing-Renn Yu, Taipei Hsien (TW);
Chao-Chi Chang, Taipei Hsien (TW);
Yun-Dong Xu, Shenzhen (CN);
Yuan-Yuan Liu, Shenzhen (CN)

* cited by examiner

Primary Examiner—Freda S Nunn

(74) *Attorney, Agent, or Firm*—Frank R. Niranjan

(73) Assignee: **Hon Hai Precision Industry Co., Ltd.**,
Tu-Cheng, Taipei Hsien (TW)

(57) **CLAIM**

The ornamental design for a front bezel for computer enclosure, as shown and described.

(**) Term: **14 Years**

(21) Appl. No.: **29/295,893**

(22) Filed: **Oct. 10, 2007**

DESCRIPTION

(30) **Foreign Application Priority Data**

May 11, 2007 (CN) 2007 3 0200339

(51) **LOC (8) Cl.** **14-02**

(52) **U.S. Cl.** **D14/444**

(58) **Field of Classification Search** D14/441-446,
D14/308; D13/162, 184, 199; 312/223.2,
312/326; 361/680-686, 690-696; 369/14,
369/34.01, 36.01

See application file for complete search history.

FIG. 1 is a perspective view of a front bezel for computer enclosure showing our new design;

FIG. 2 is a front elevational view thereof;

FIG. 3 is a left-side, elevational view thereof;

FIG. 4 is a right-side, elevational view thereof;

FIG. 5 is a top plan view thereof;

FIG. 6 is a bottom plan view thereof; and,

FIG. 7 is a perspective view of the front bezel being mounted to a computer enclosure.

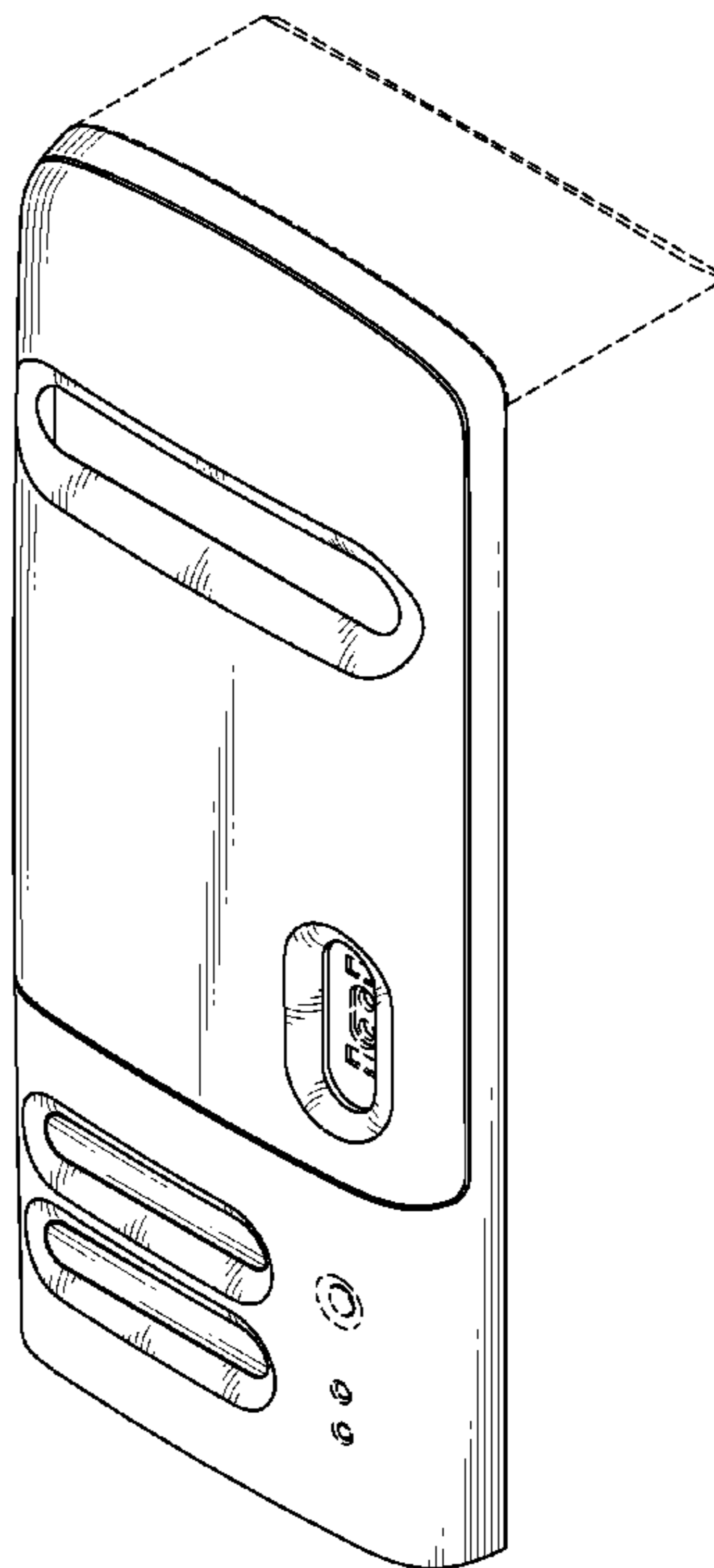
The broken lines are for illustrative purposes only and form no part of the claimed design.

(56) **References Cited**

U.S. PATENT DOCUMENTS

5,169,218 A * 12/1992 Chu 312/223.2

1 Claim, 7 Drawing Sheets



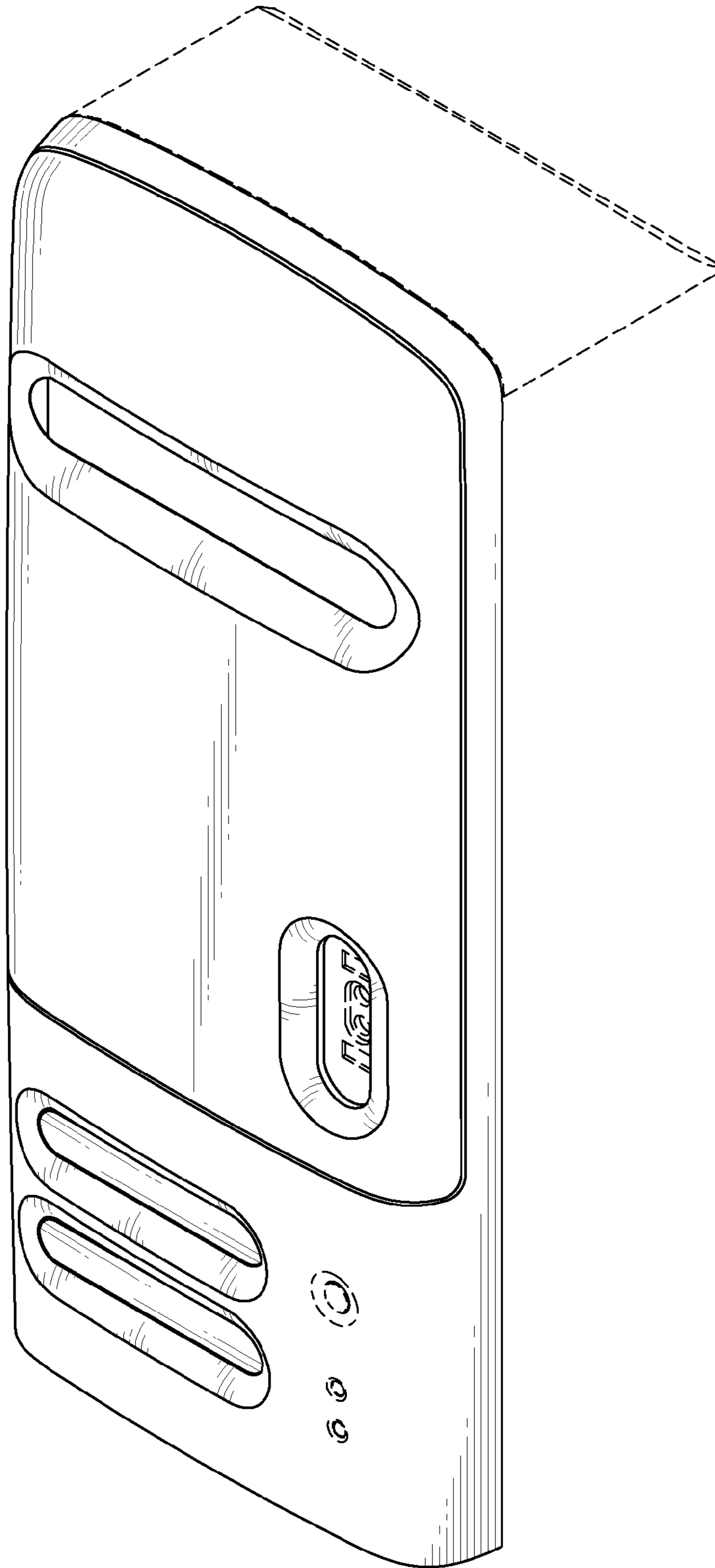


FIG. 1

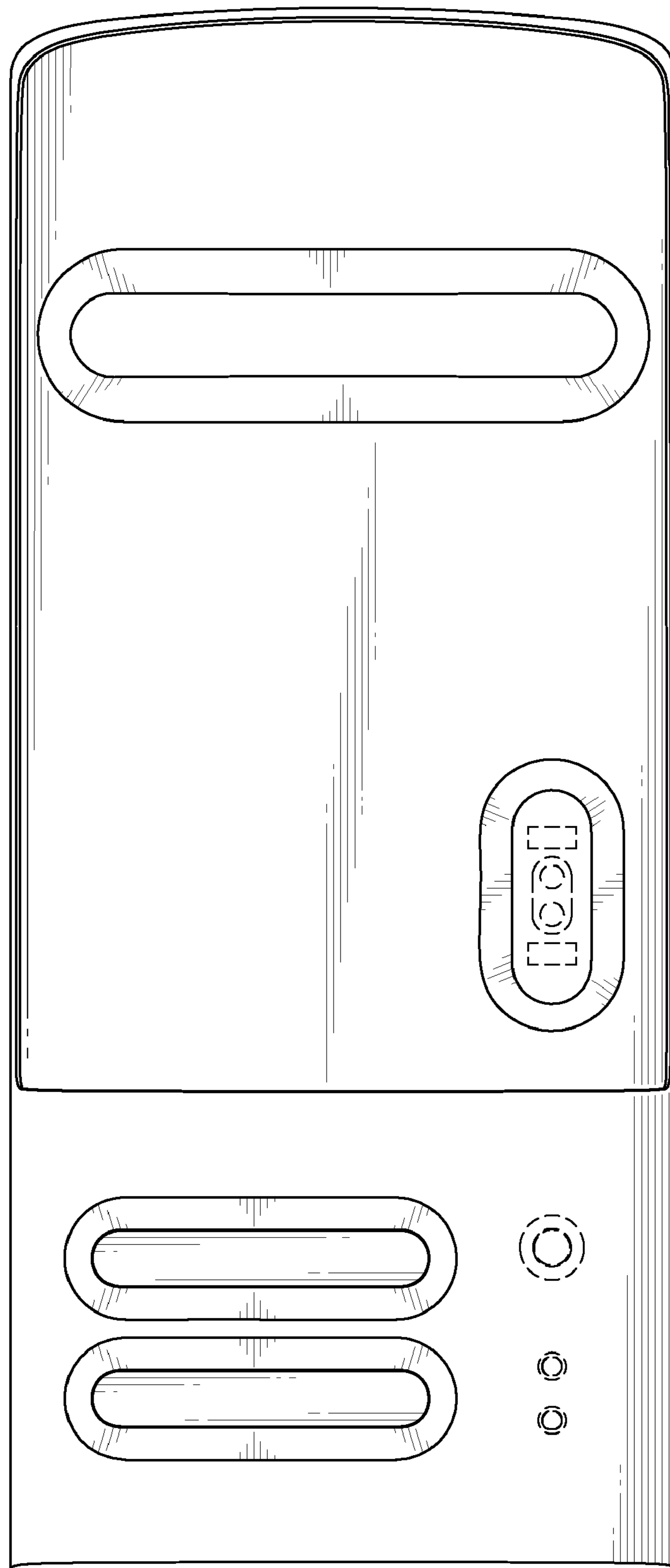


FIG. 2



FIG. 3

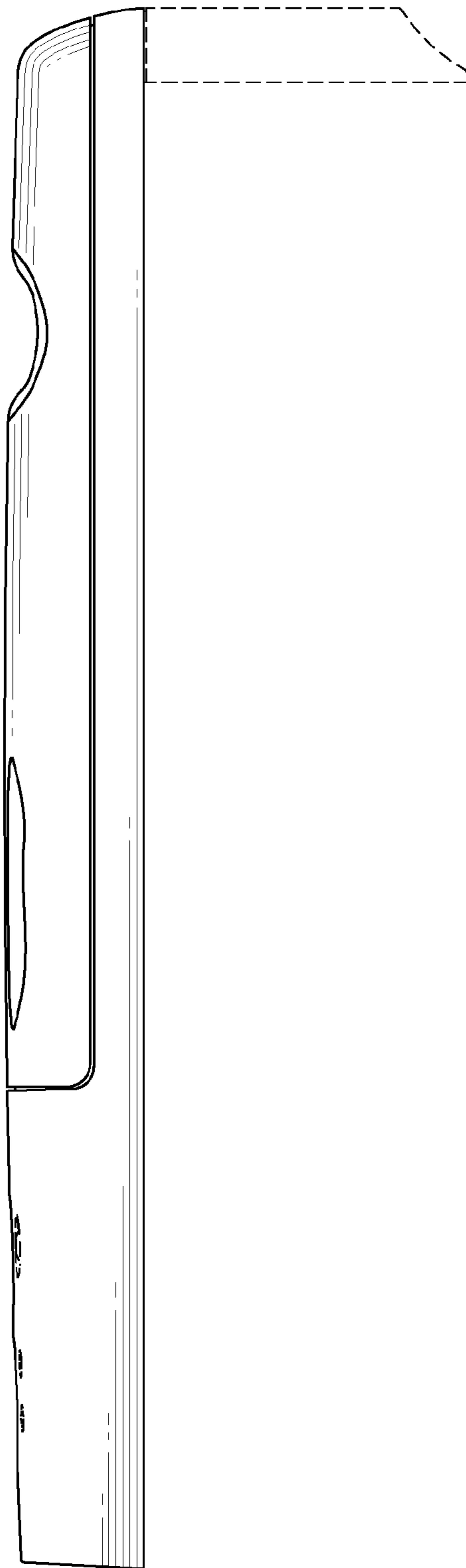


FIG. 4

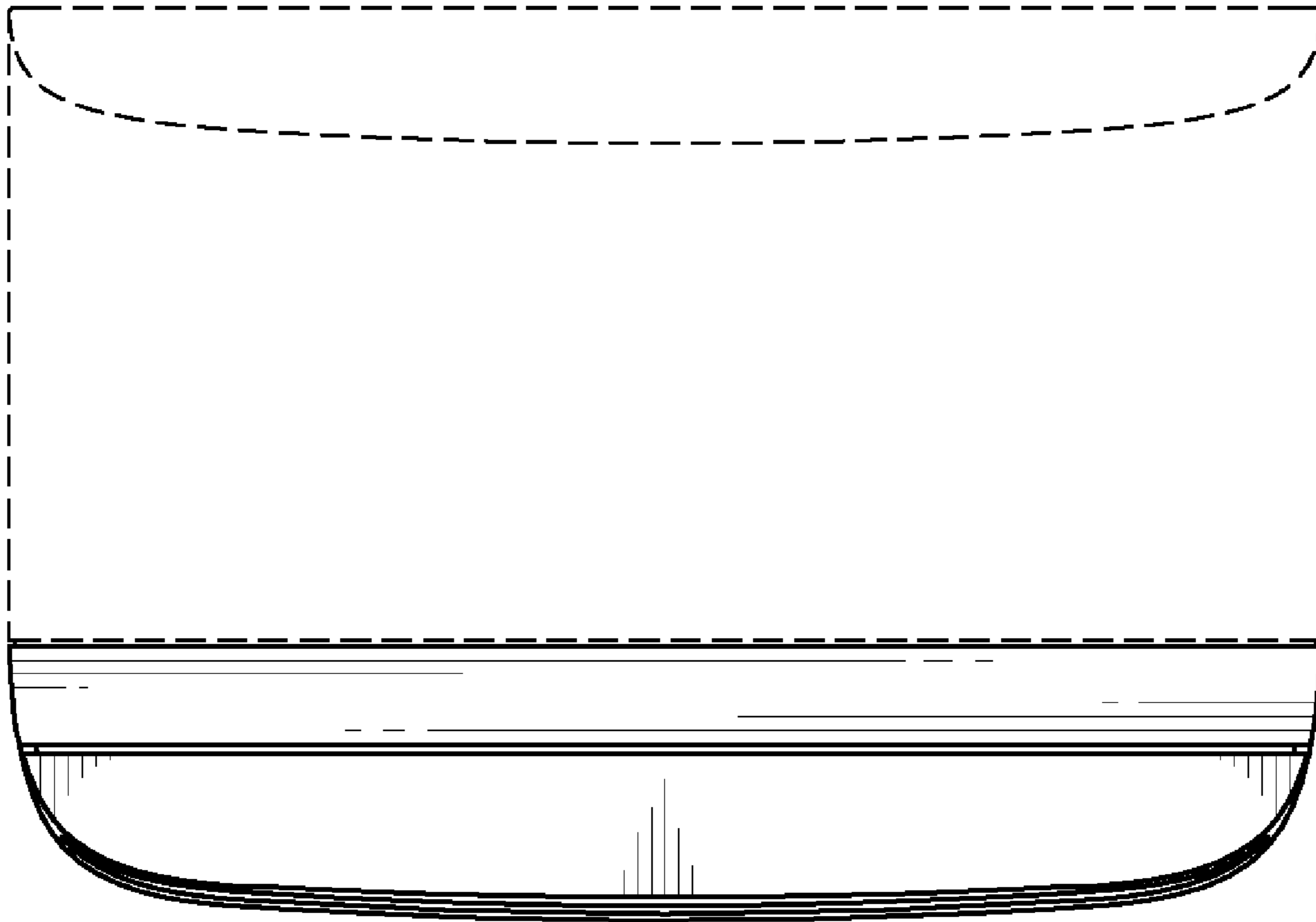


FIG. 5

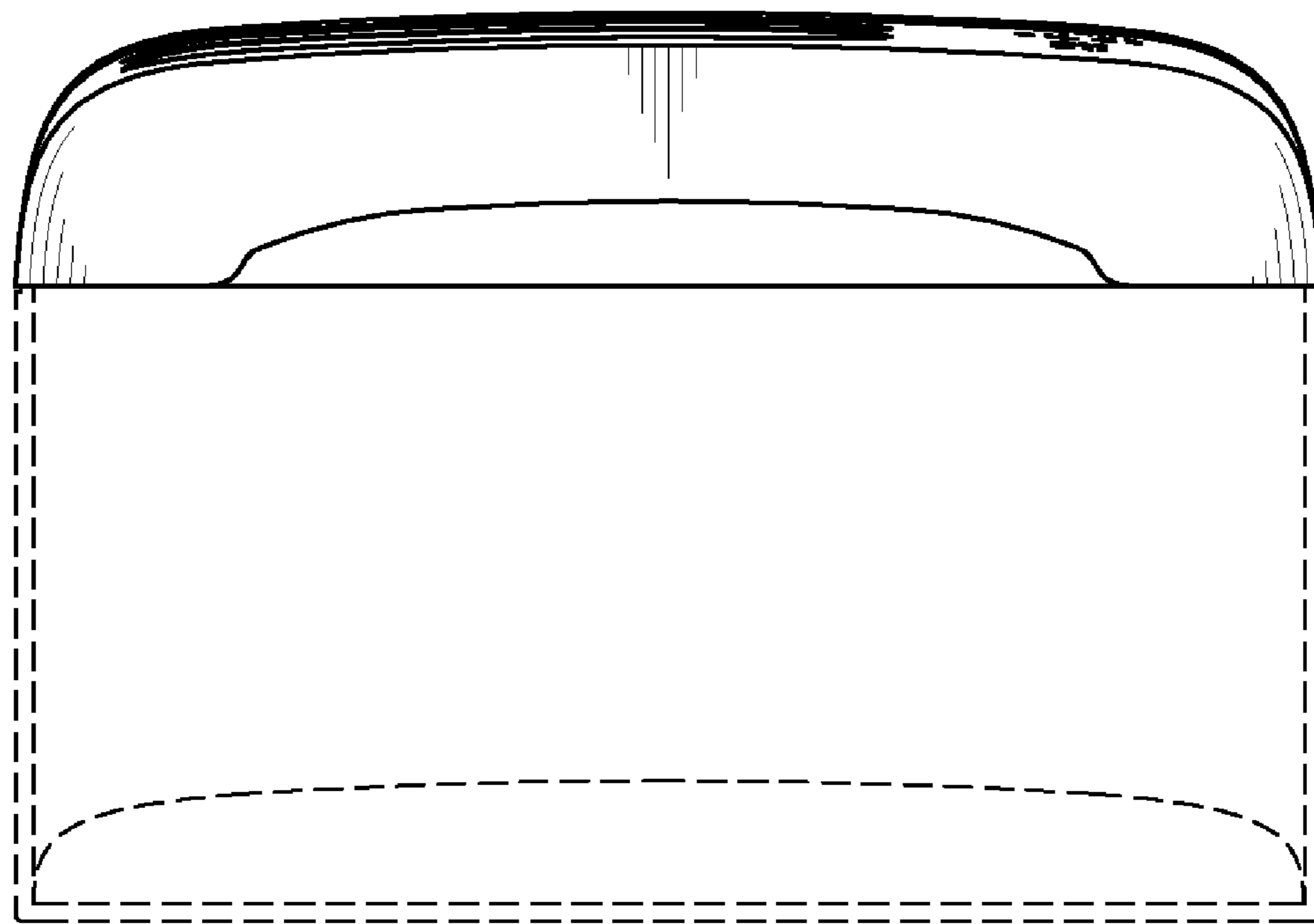


FIG. 6

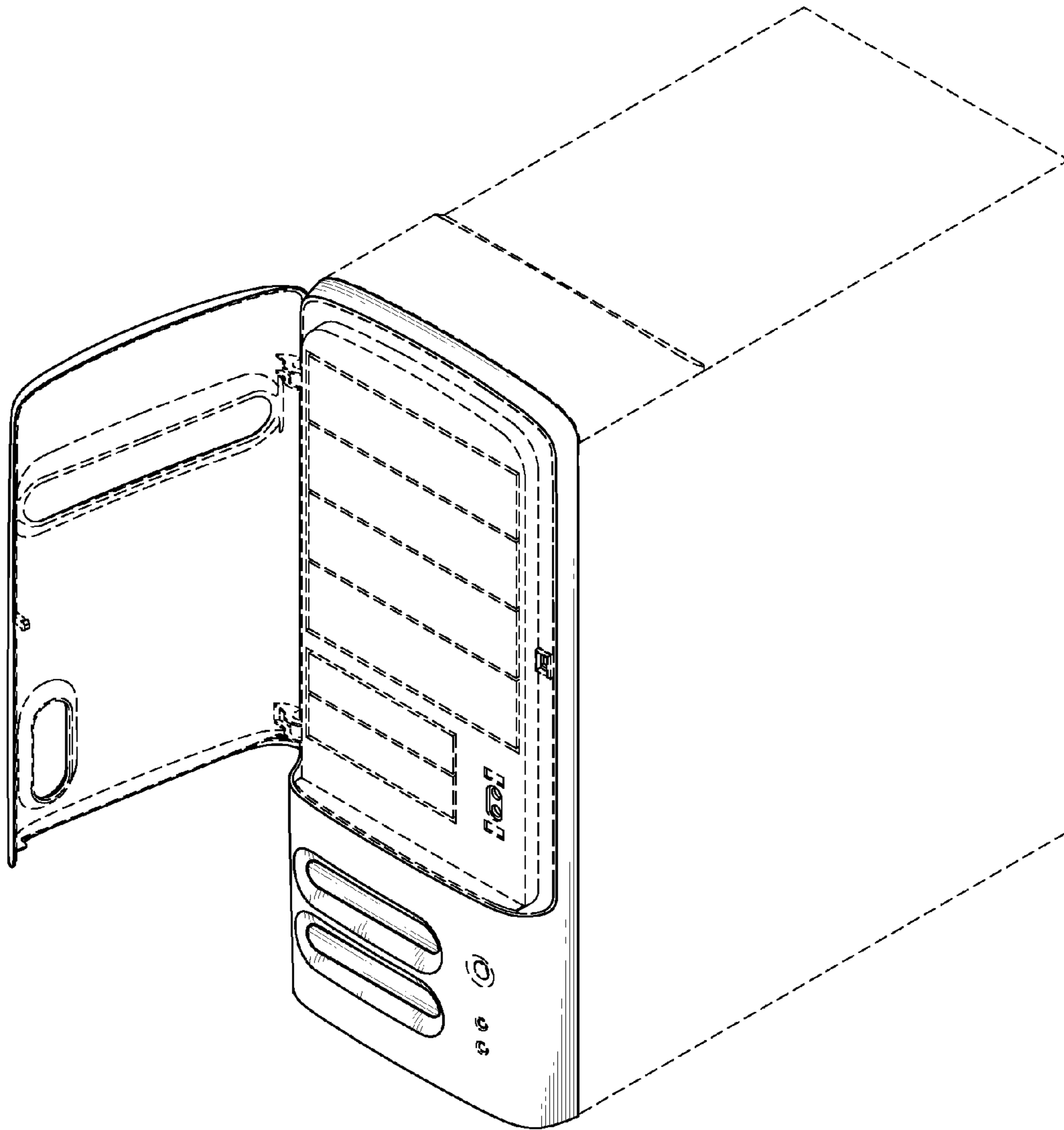


FIG. 7