



US00D576626S

(12) **United States Design Patent**
On et al.

(10) **Patent No.:** **US D576,626 S**
(45) **Date of Patent:** **** Sep. 9, 2008**

(54) **WIRELESS COMMUNICATION DEVICE PC CARD**

(75) Inventors: **Peter On**, San Diego, CA (US); **Cynthia Gwyn Tinker**, San Diego, CA (US)

(73) Assignee: **Kyocera Wireless Corp.**, San Diego, CA (US)

(**) Term: **14 Years**

(21) Appl. No.: **29/280,514**

(22) Filed: **May 30, 2007**

(51) **LOC (8) Cl.** **14-02**

(52) **U.S. Cl.** **D14/436**

(58) **Field of Classification Search** D14/242,
D14/432-438; 361/600, 622, 683, 684, 724-728;
D13/184, 123, 110; 379/433.09, 433.11-433.13,
379/419, 440, 428.01, 428.04; 455/550.1,
455/552.1, 553.1, 554.1, 554.2, 555, 557,
455/556.1, 558, 575.1, 90.3; 439/101, 108,
439/946, 607; 174/52.1, 35 R; 902/26

See application file for complete search history.

(56) **References Cited**

U.S. PATENT DOCUMENTS

D355,173 S * 2/1995 Fenton et al. D14/242
D362,250 S * 9/1995 Harding et al. D14/138
5,472,351 A * 12/1995 Greco et al. 439/353
D366,047 S * 1/1996 Rak et al. D14/256
D388,803 S * 1/1998 Shinano D16/202
D411,202 S * 6/1999 Flanagan et al. D14/459
5,923,534 A * 7/1999 Yajima 361/737

6,247,968 B1 * 6/2001 Wu 439/607
D450,708 S * 11/2001 Hsu D14/435
6,327,154 B1 * 12/2001 Gauld et al. 361/737
D498,759 S * 11/2004 Lewis et al. D14/436
D504,434 S * 4/2005 Katayanagi D14/436
6,976,624 B2 * 12/2005 Hsiao 235/451
D514,108 S * 1/2006 Bahar et al. D14/433

* cited by examiner

Primary Examiner—Melanie Tung
Assistant Examiner—Susan Moon Lee

(57) **CLAIM**

The ornamental design for a wireless communication device PC card, as shown and described.

DESCRIPTION

FIG. 1 is a perspective view of a wireless communication device PC card with the upper compartment shown extended.

FIG. 2 is a top view of the wireless communication device PC card of FIG. 1.

FIG. 3 is a side view of the wireless communication device PC card of FIG. 1.

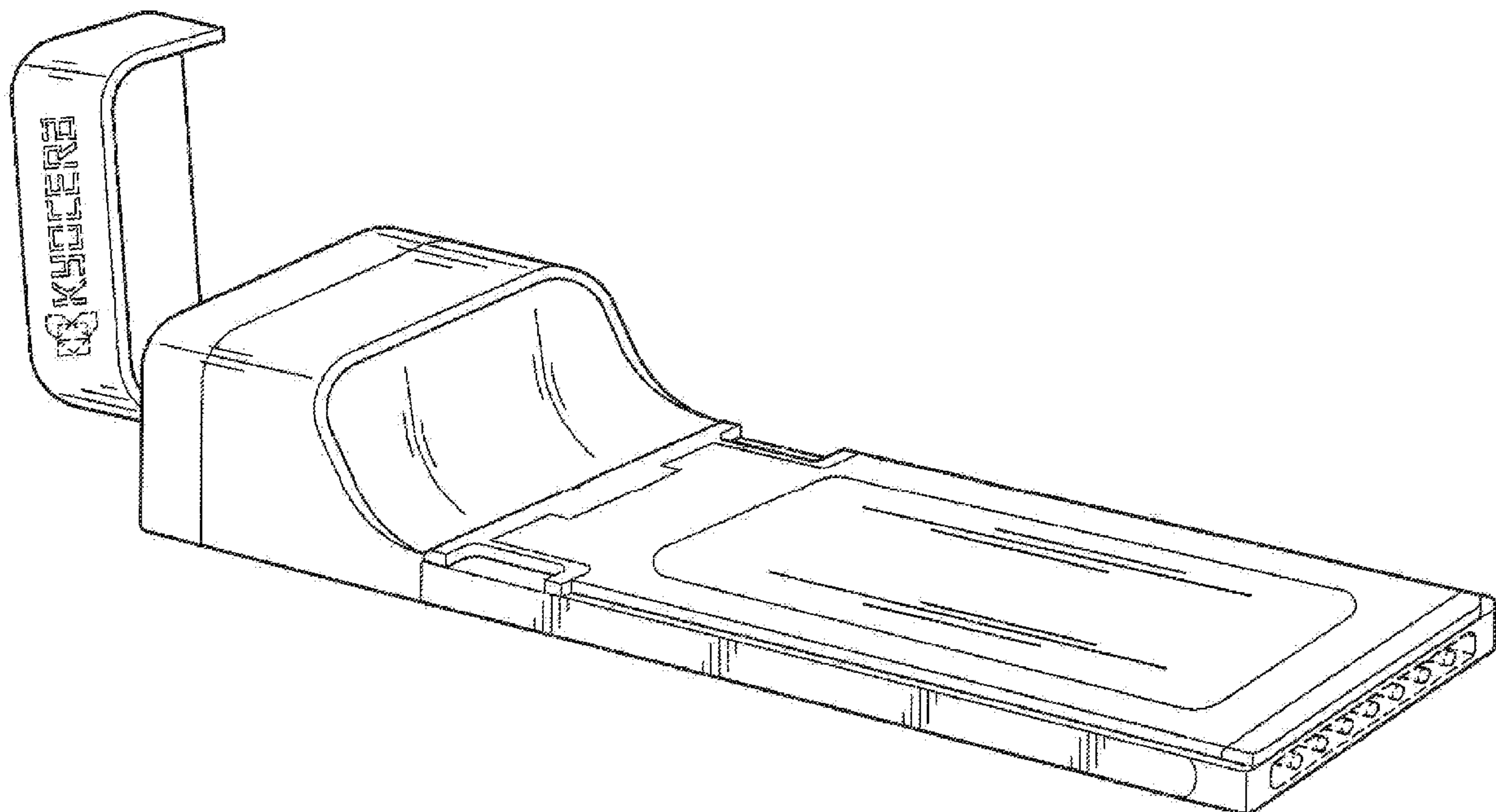
FIG. 4 is a bottom view of the wireless communication device PC card of FIG. 1.

FIG. 5 is a proximal end view of the wireless communication device PC card of FIG. 1; and,

FIG. 6 is a distal end view of the wireless communication device PC card of FIG. 1.

The broken lines are for purposes of illustration only and form no part of the claimed invention.

1 Claim, 3 Drawing Sheets



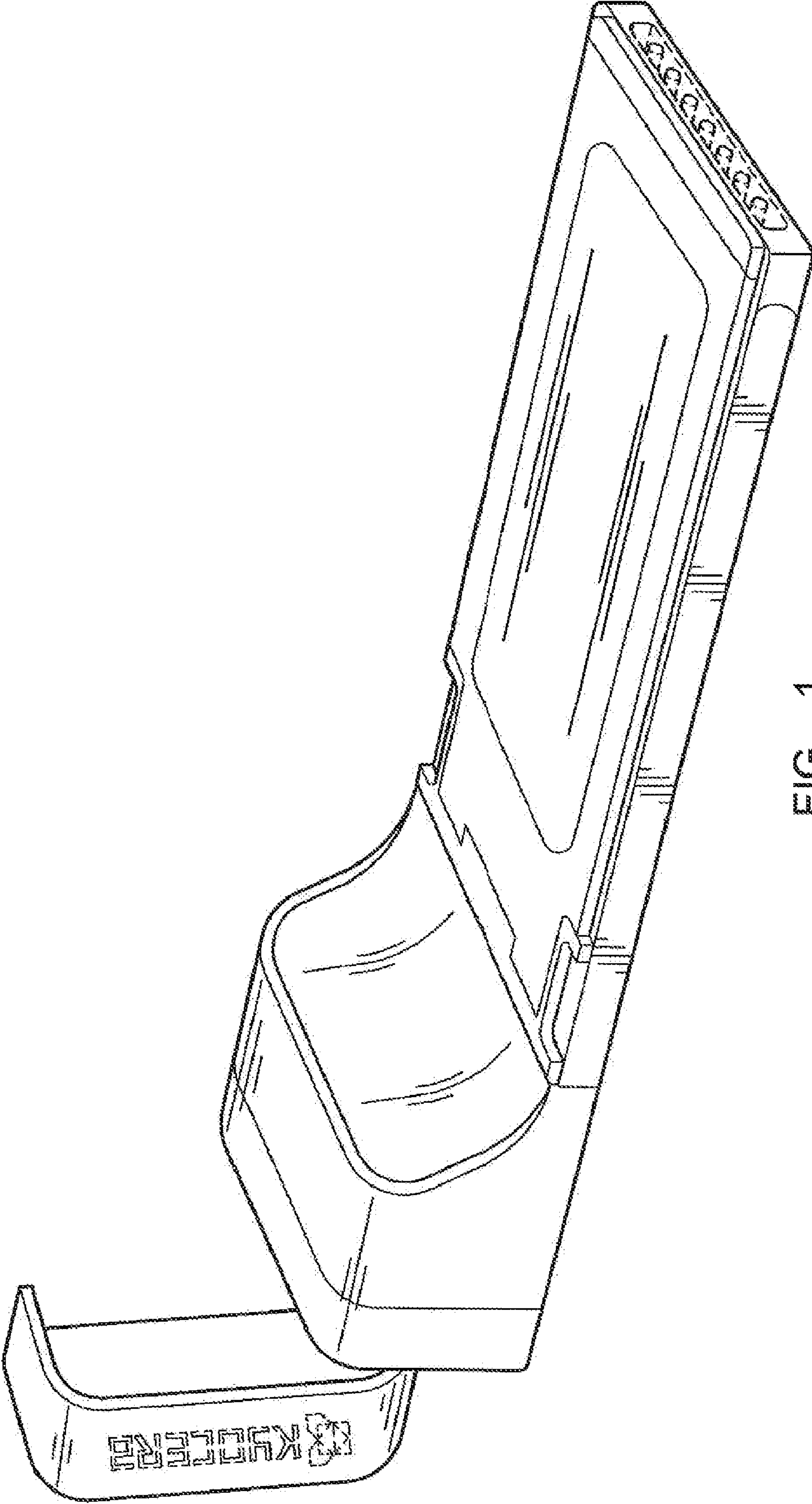


FIG. 1

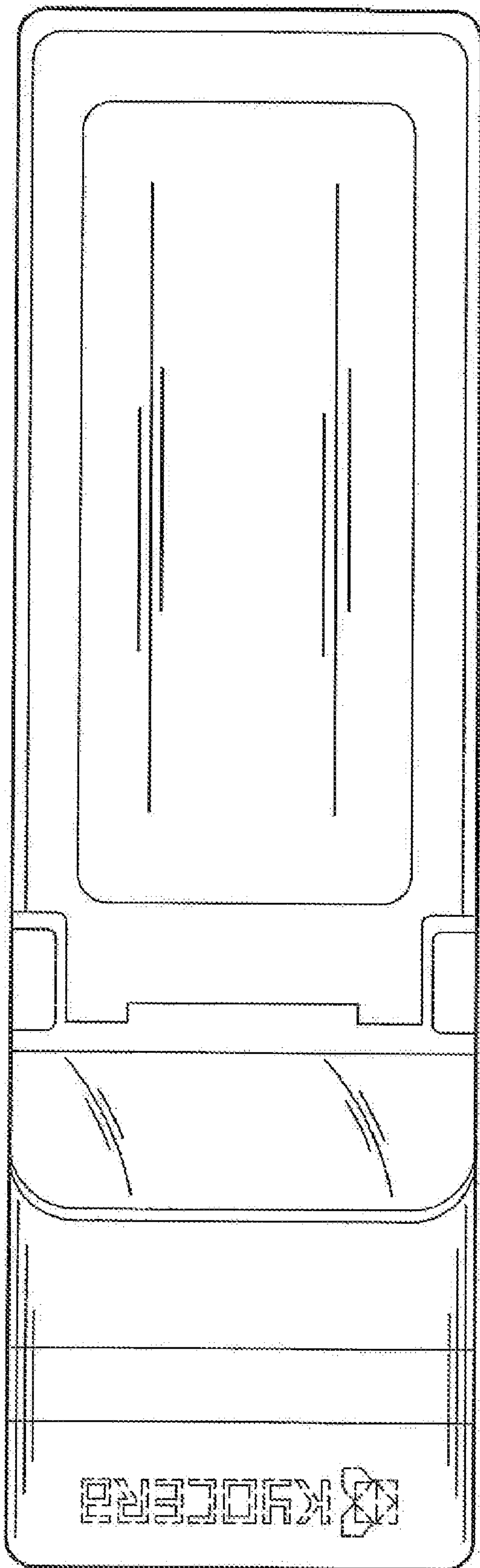


FIG. 2

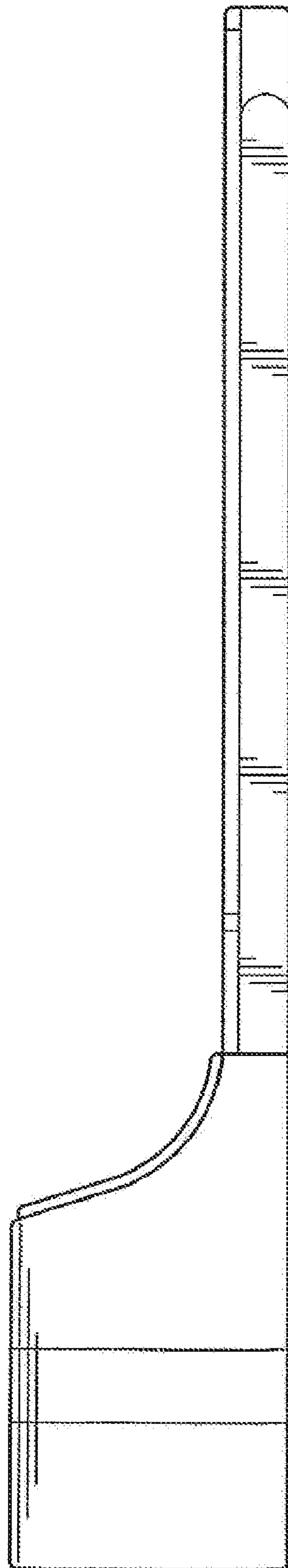


FIG. 3

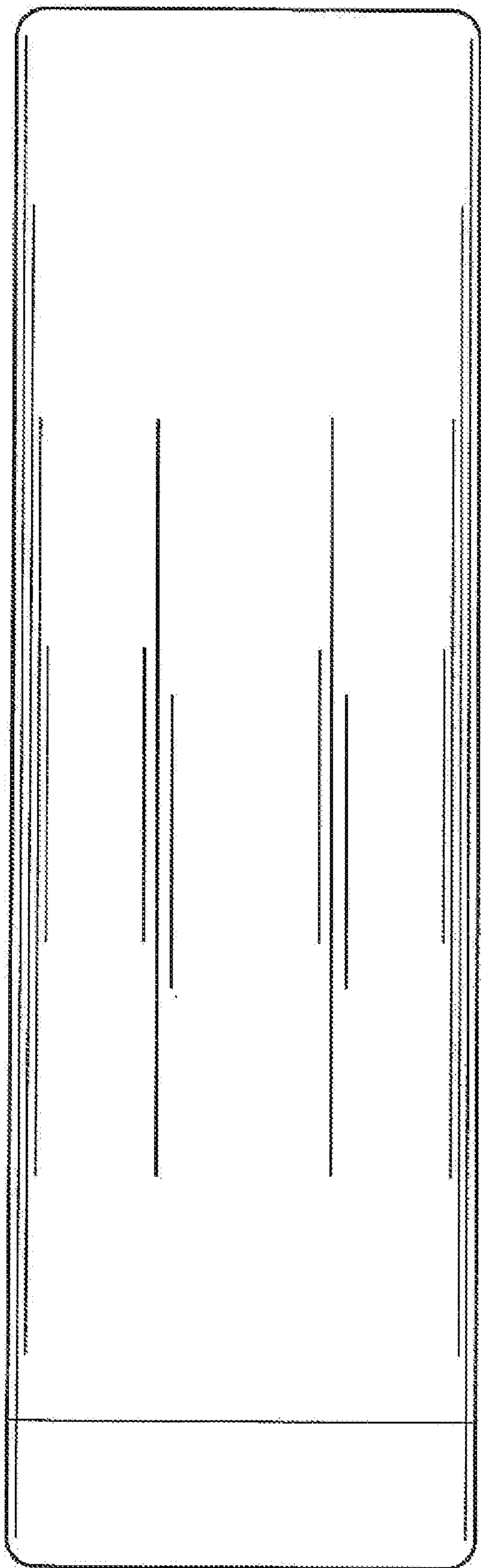


FIG. 4

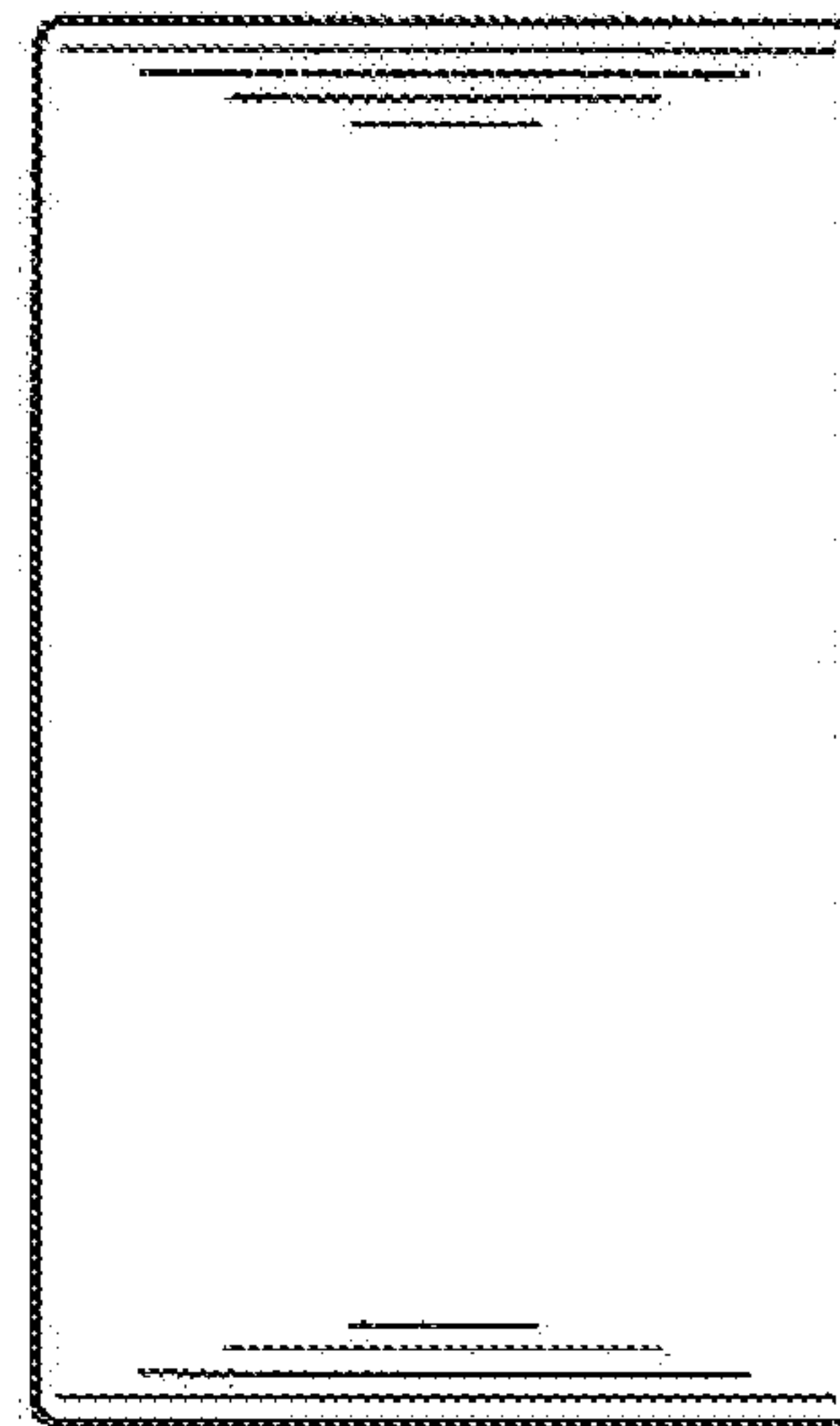


FIG. 6

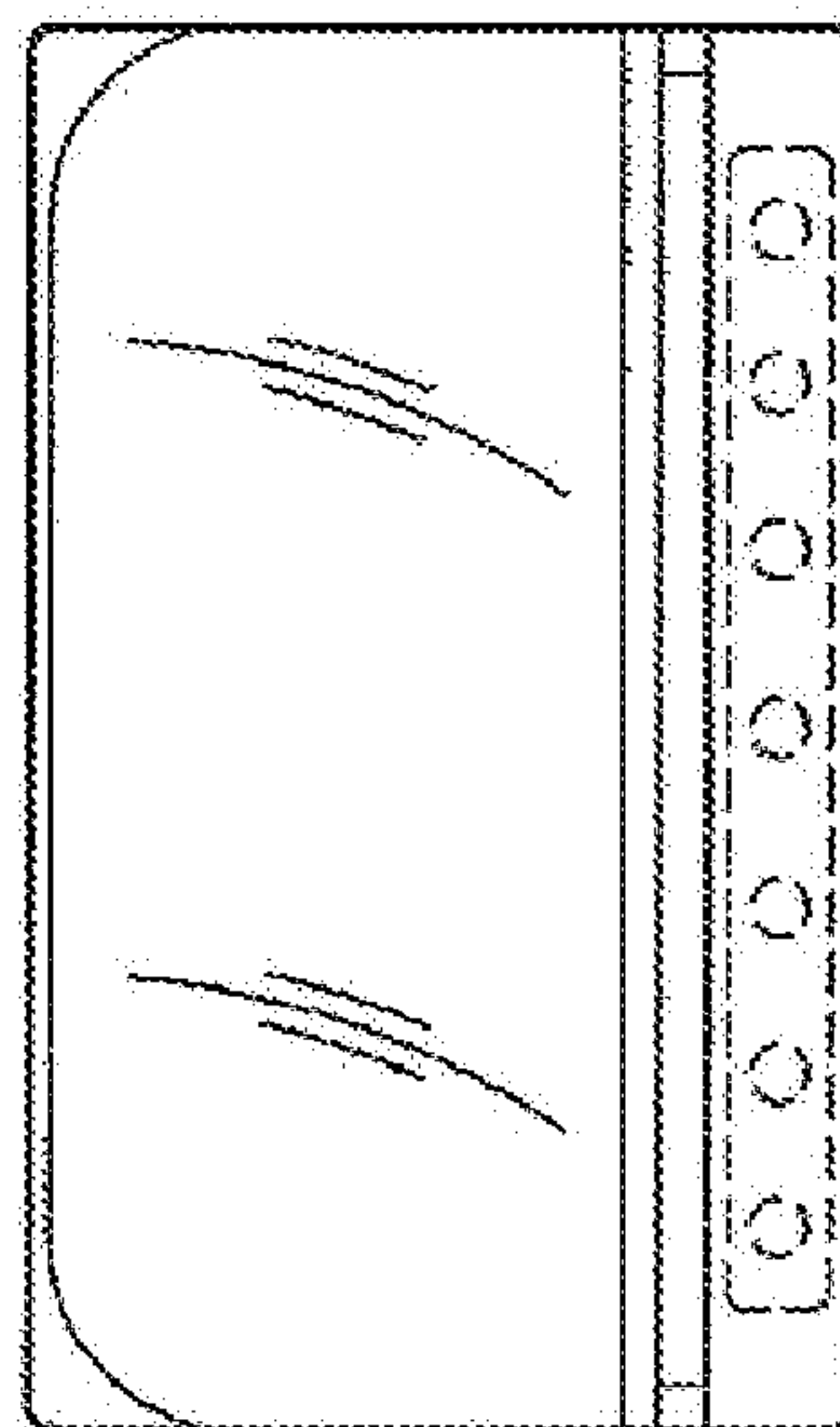


FIG. 5