



US00D576624S

(12) **United States Design Patent**
Ashida et al.

(10) **Patent No.:** **US D576,624 S**
(45) **Date of Patent:** **** Sep. 9, 2008**

(54) **CONTROLLER FOR ELECTRONIC GAME MACHINE**

(75) Inventors: **Kenichiro Ashida**, Kyoto (JP); **Junji Takamoto**, Kyoto (JP); **Masato Ibuki**, Kyoto (JP); **Shinji Yamamoto**, Kyoto (JP); **Hirokazu Matsui**, Kyoto (JP); **Daisuke Kumazaki**, Kyoto (JP); **Akiko Suga**, Kyoto (JP)

(73) Assignee: **Nintendo Co., Ltd.**, Kyoto (JP)

(**) Term: **14 Years**

(21) Appl. No.: **29/290,313**

(22) Filed: **Nov. 16, 2007**

Related U.S. Application Data

(63) Continuation of application No. 29/253,815, filed on Feb. 14, 2006, now Pat. No. Des. 559,254.

(30) **Foreign Application Priority Data**

| | | | |
|---------------|------|-------|------------|
| Aug. 17, 2005 | (JP) | | 2005-23841 |
| Aug. 17, 2005 | (JP) | | 2005-23842 |
| Aug. 17, 2005 | (JP) | | 2005-23843 |
| Aug. 17, 2005 | (JP) | | 2005-23847 |
| Aug. 17, 2005 | (JP) | | 2005-23848 |
| Aug. 17, 2005 | (JP) | | 2005-23849 |
| Aug. 17, 2005 | (JP) | | 2005-23851 |

(51) **LOC (8) Cl.** **14-02**

(52) **U.S. Cl.** **D14/400; D21/328; D21/333**

(58) **Field of Classification Search** D14/398-401, D14/412, 356, 432, 454, 496; 273/148 B, 273/148 R; 463/1, 29, 43-47; 345/156, 345/161, 168, 169; 74/469, 471 R, 471 XY; D21/324-333

See application file for complete search history.

(56) **References Cited**

U.S. PATENT DOCUMENTS

D253,234 S * 10/1979 Cooke D13/168

| | | | | |
|-----------|-----|---------|-------------------|---------|
| 4,359,222 | A * | 11/1982 | Smith et al. | 463/31 |
| 4,391,444 | A * | 7/1983 | Bromley | 463/4 |
| 4,969,647 | A * | 11/1990 | Mical et al. | 463/31 |
| D320,624 | S * | 10/1991 | Taylor | D21/331 |
| D325,225 | S * | 4/1992 | Adhida | D14/401 |

(Continued)

FOREIGN PATENT DOCUMENTS

JP 6-308879 11/1994

OTHER PUBLICATIONS

English Abstract of Publication No. JP 6-308879, published Nov. 4, 1994.

(Continued)

Primary Examiner—Prabhakar Deshmukh

(74) *Attorney, Agent, or Firm*—Nixon & Vanderhye, PC

(57) **CLAIM**

The ornamental design for a “controller for electronic game machine,” as shown and described.

DESCRIPTION

FIG. 1 is a front, bottom and right perspective view of a controller for electronic game machine showing our new design;

FIG. 2 is a rear, top and left perspective view thereof;

FIG. 3 is a front view thereof;

FIG. 4 is a rear view thereof;

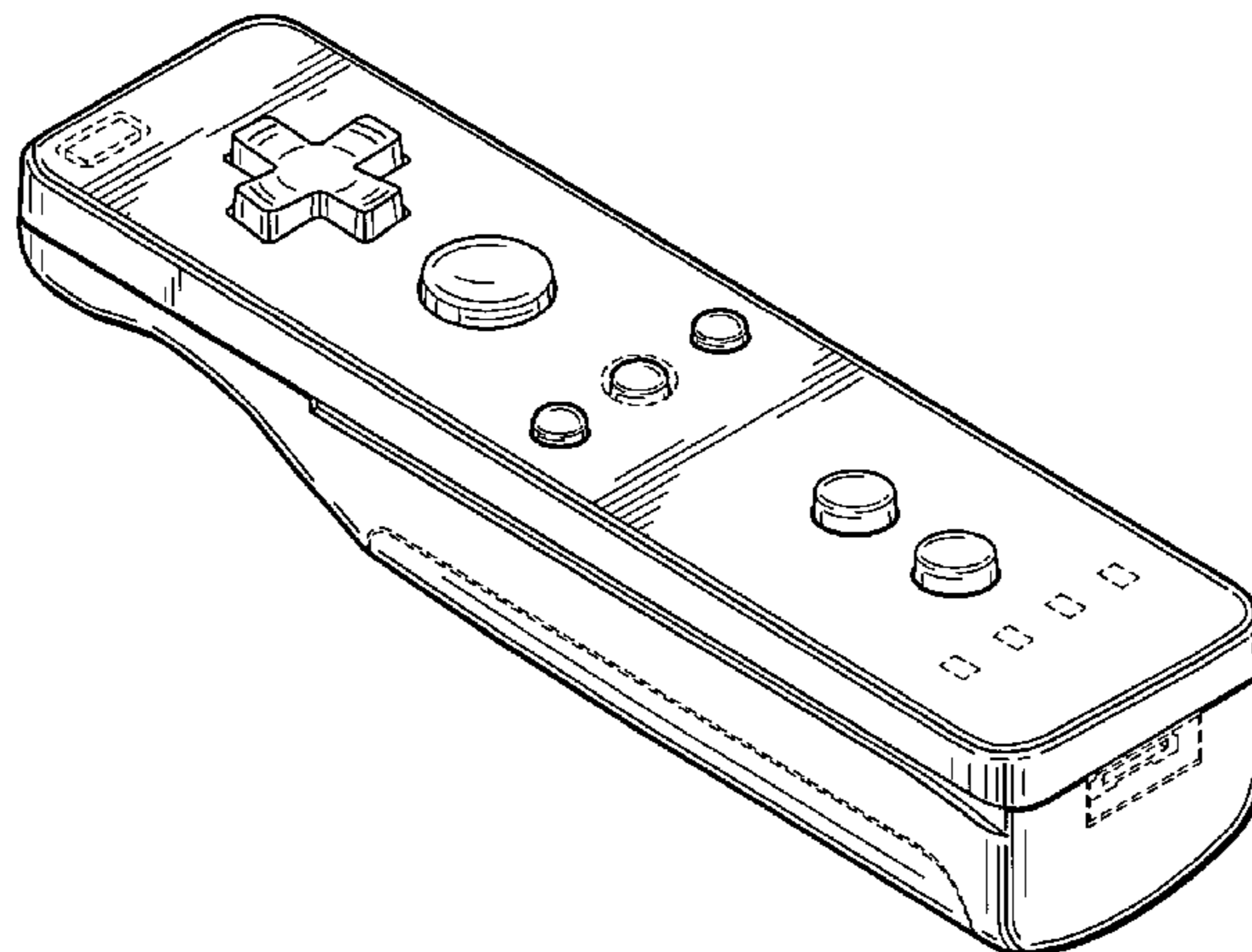
FIG. 5 is a right side view thereof, a left side view being a mirror image thereof;

FIG. 6 is a top plan view thereof; and,

FIG. 7 is a bottom plan view thereof.

The broken lines, which define the boundary of the claimed design, form no part thereof. The broken lines environmental are for illustrative purpose only and form no part of the claimed design.

1 Claim, 3 Drawing Sheets



US D576,624 S

Page 2

U.S. PATENT DOCUMENTS

5,178,477 A 1/1993 Gambaro
5,207,426 A * 5/1993 Inoue et al. 463/36
D338,242 S * 8/1993 Cordell D14/401
5,259,626 A * 11/1993 Ho 463/37
D345,164 S * 3/1994 Grae D14/401
5,332,322 A 7/1994 Gambaro
D350,782 S 9/1994 Barr
D351,430 S 10/1994 Barr
D360,903 S * 8/1995 Barr et al. D14/401
5,523,800 A * 6/1996 Dudek 348/734
D375,326 S 11/1996 Yokoi et al.
D376,826 S 12/1996 Ashida
5,643,087 A * 7/1997 Marcus et al. 463/38
5,724,106 A 3/1998 Autry et al.
5,769,719 A * 6/1998 Hsu 463/37
5,785,317 A * 7/1998 Sasaki 273/148 B

D397,162 S 8/1998 Yokoi et al.
D405,071 S 2/1999 Gambaro
5,900,867 A 5/1999 Schindler et al.
D456,410 S 4/2002 Ashida
D456,854 S 5/2002 Ashida
D459,727 S 7/2002 Ashida
D462,683 S 9/2002 Ashida
D502,468 S * 3/2005 Knight et al. D14/400
D505,424 S 5/2005 Ashida et al.

OTHER PUBLICATIONS

“Gyration Ultra Cordless Optical Mouse User Manual,” Gyration, Inc., www.gyration.com.

“This is the Revolution, Nintendo Style,” www.tranism.com/weblog/techness/, Sep. 15, 2005, pp. 1-2.

* cited by examiner

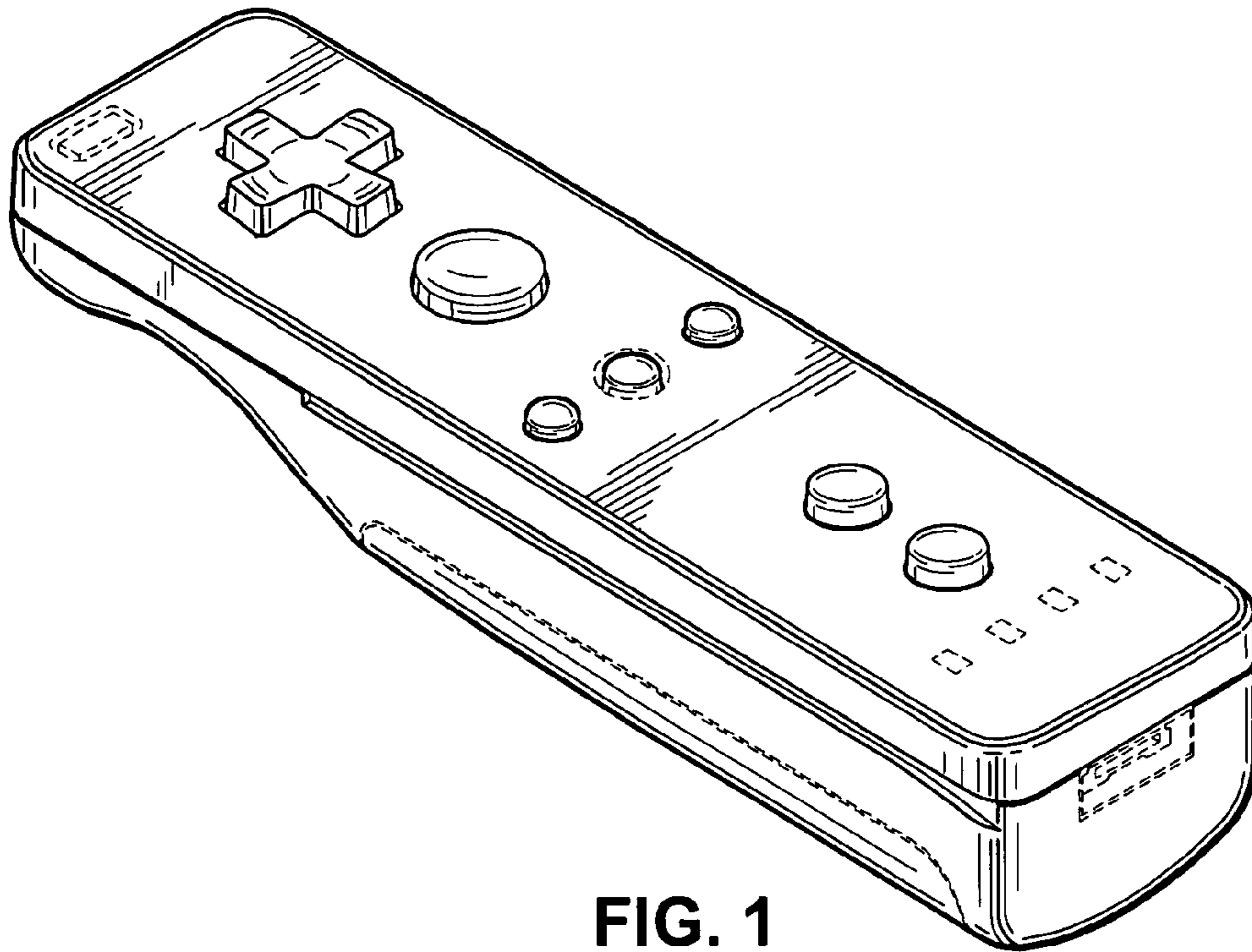


FIG. 1

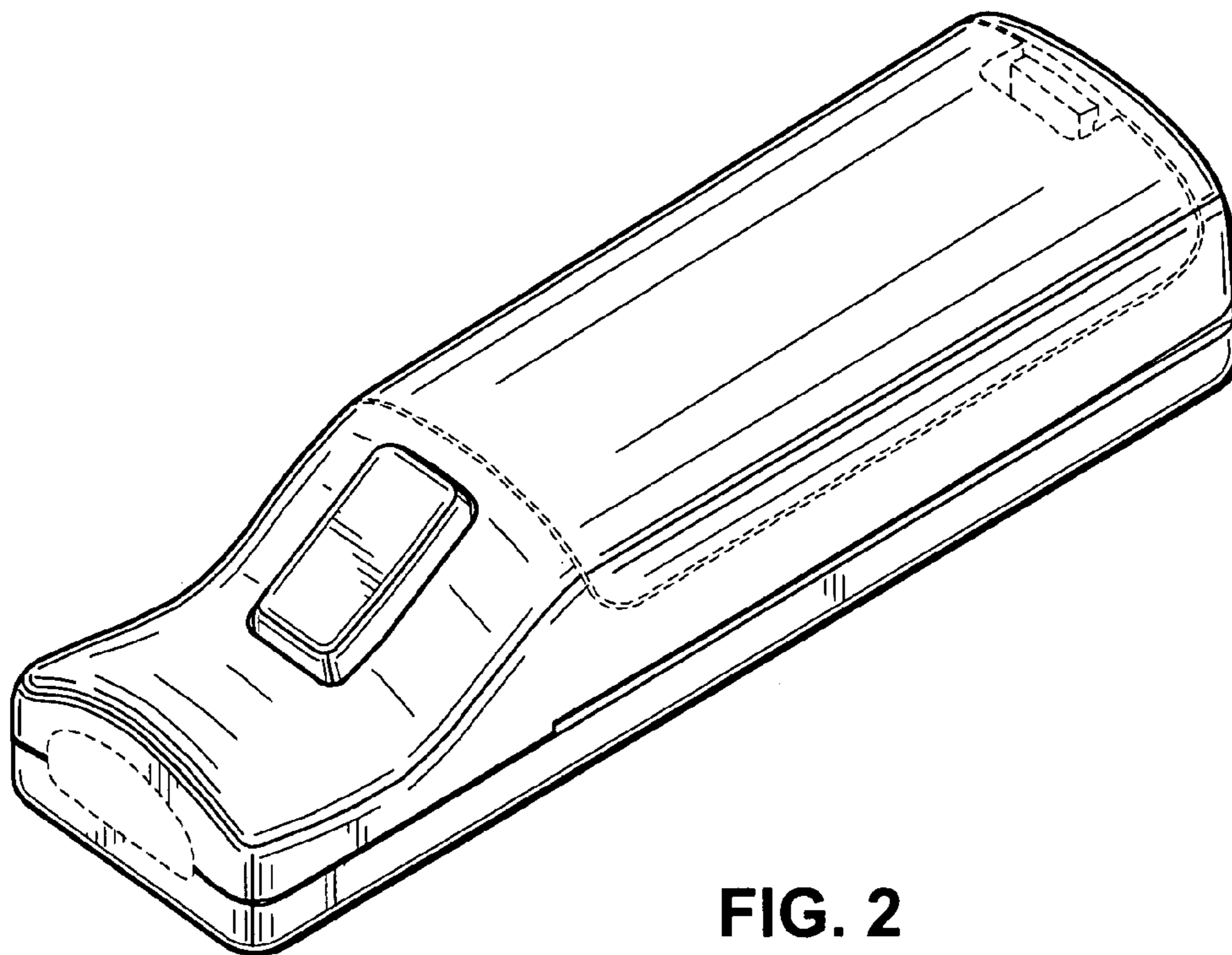


FIG. 2

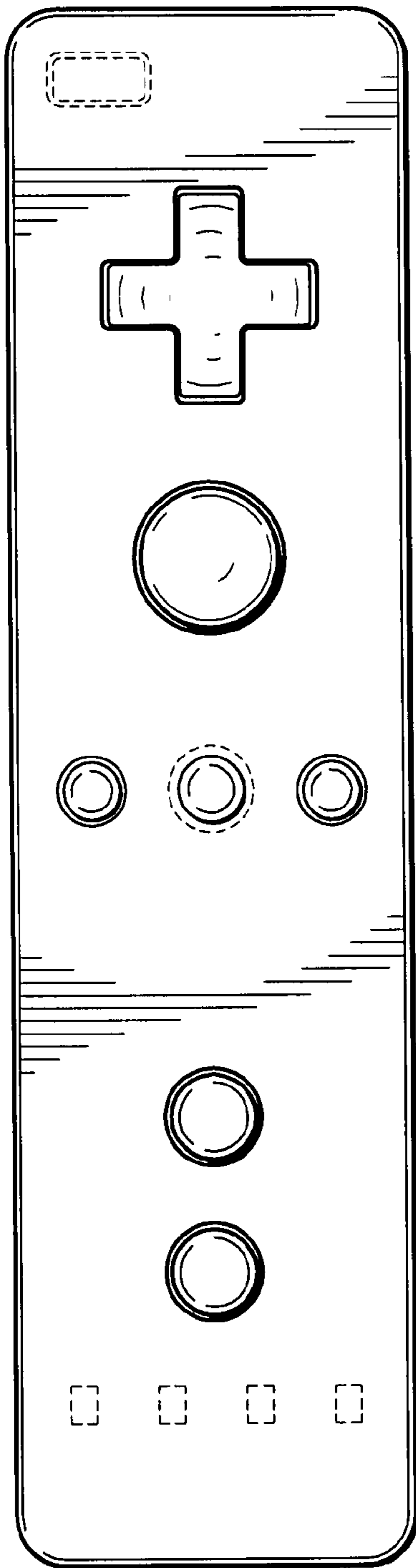


FIG. 3

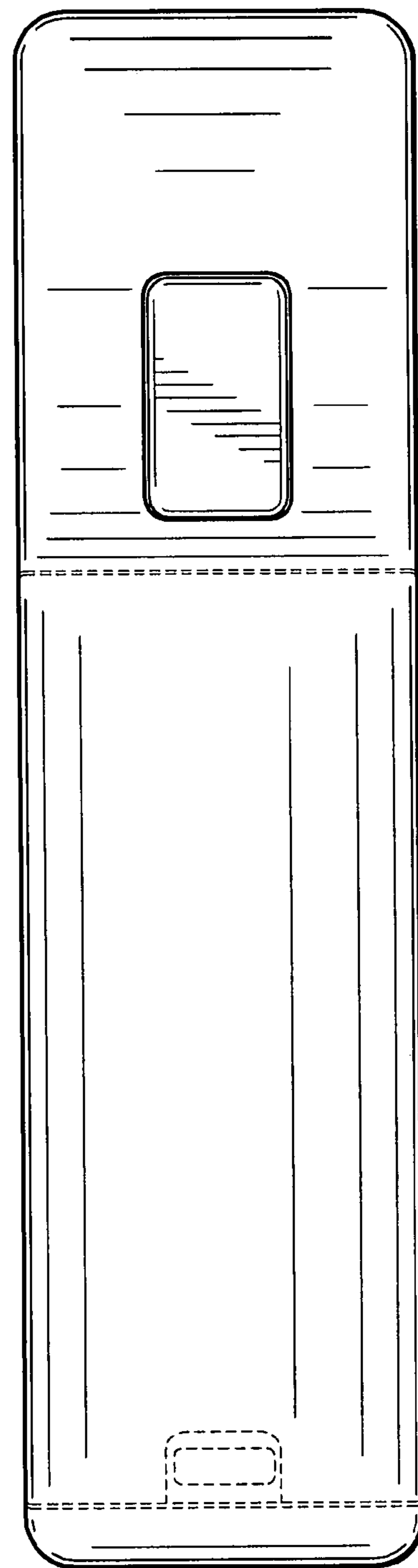


FIG. 4

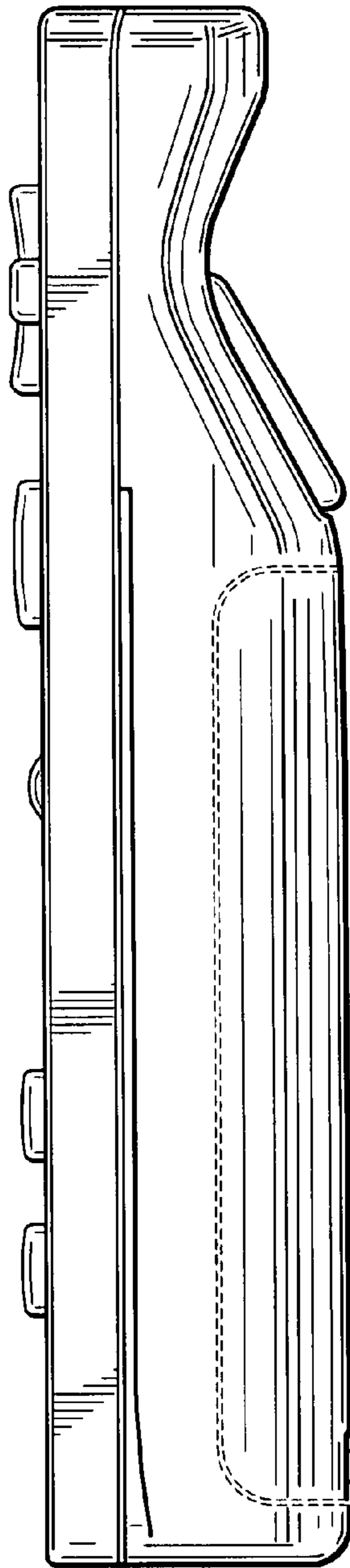


FIG. 5

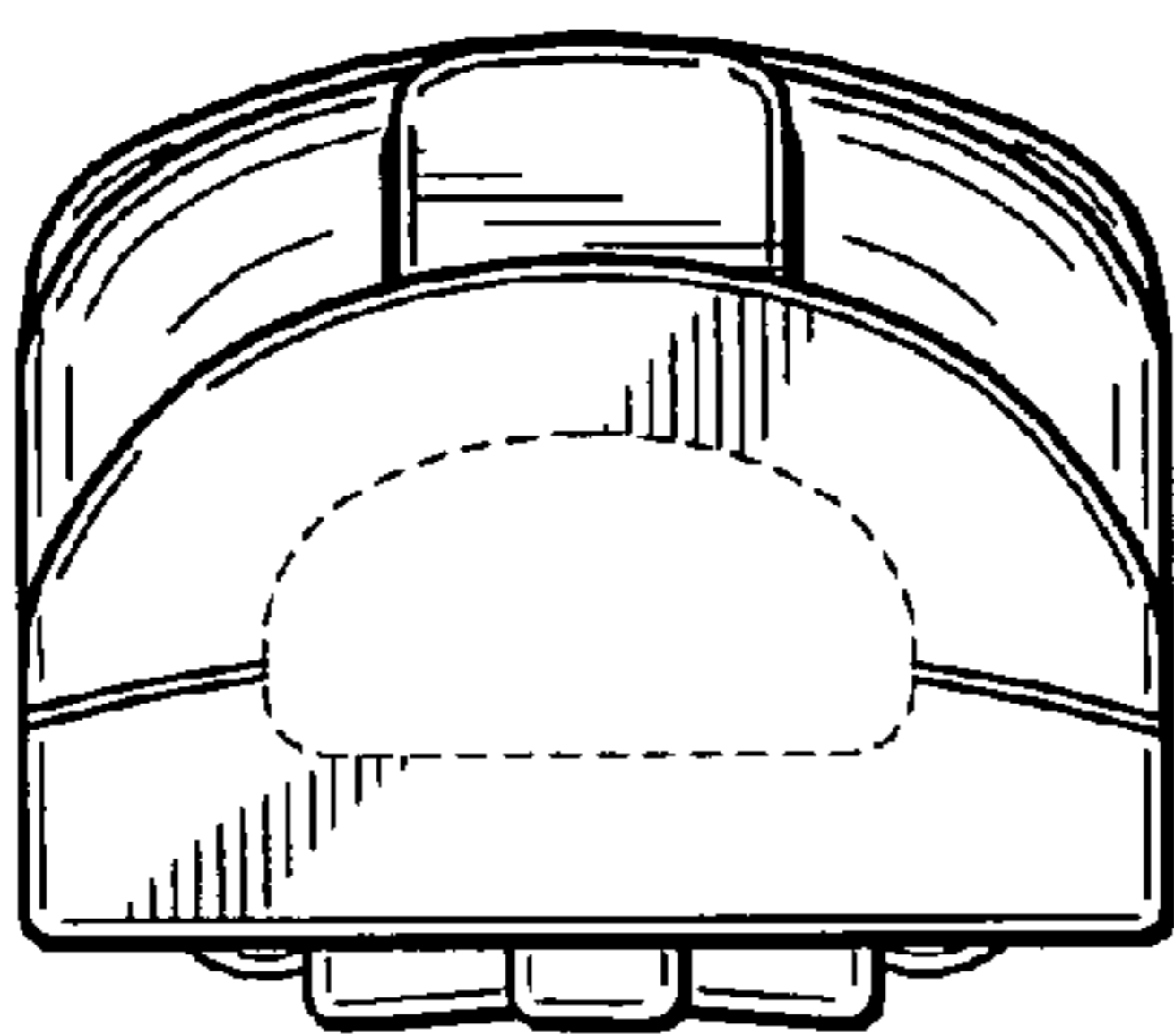


FIG. 6

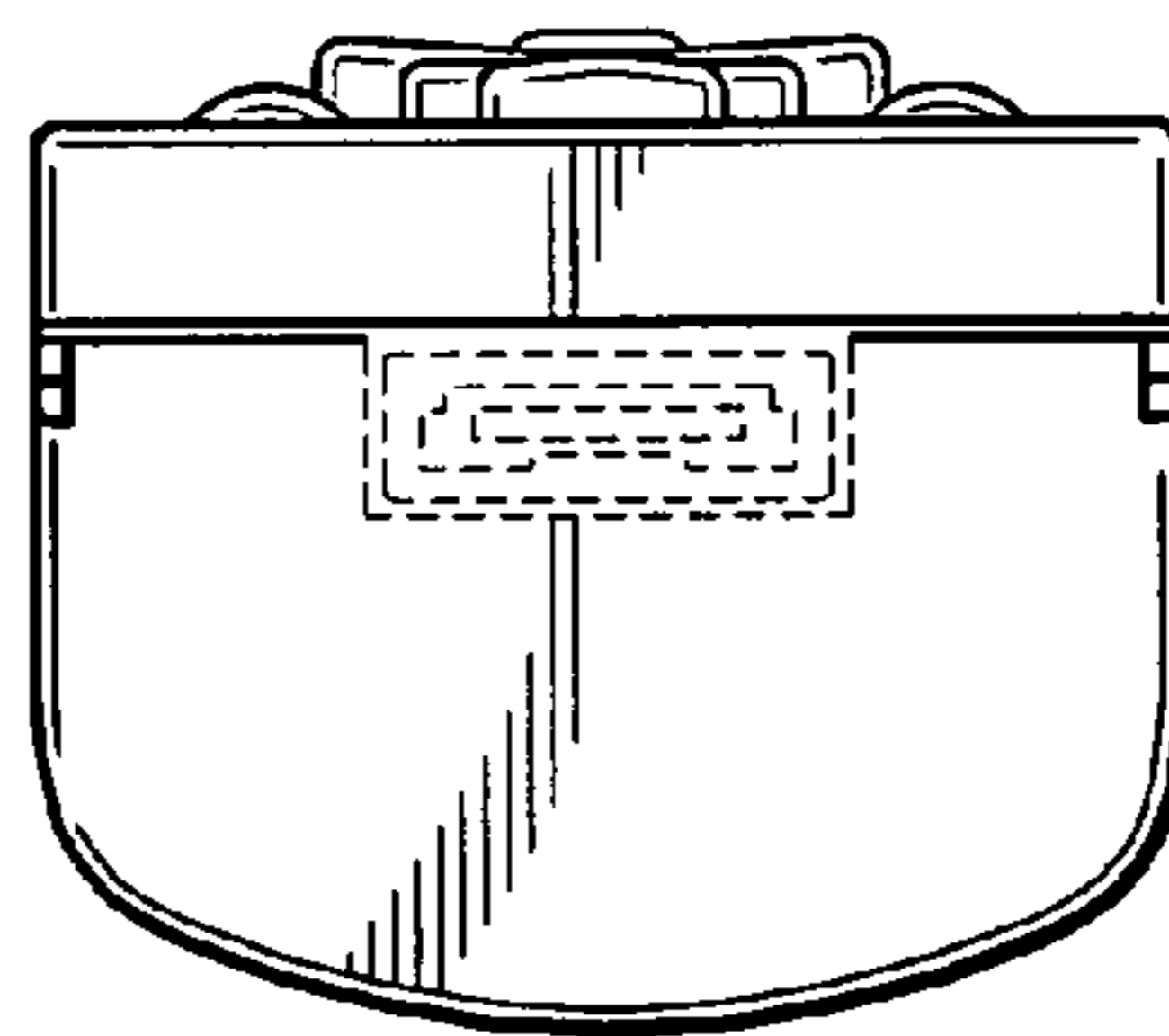


FIG. 7