



US00D576618S

(12) **United States Design Patent**
Wong

(10) **Patent No.:** **US D576,618 S**
(45) **Date of Patent:** **** Sep. 9, 2008**

(54) **PORTABLE ELECTRONIC DEVICE**

(75) Inventor: **Chee Yee Wong**, London (GB)

(73) Assignee: **Nokia Corporation**, Espoo (FI)

(**) Term: **14 Years**

(21) Appl. No.: **29/277,791**

(22) Filed: **Mar. 9, 2007**

(30) **Foreign Application Priority Data**

Oct. 31, 2006 (FI) M20060199

(51) **LOC (8) Cl.** **14-02**

(52) **U.S. Cl.** **D14/341**

(58) **Field of Classification Search** D14/314,
D14/342, 343, 344, 345, 346, 347, 454, 439,
D14/455, 456, 137, 192, 239, 247, 315, 327,
D14/331, 336, 338, 339, 374, 393, 394, 399,
D14/400, 401, 429, 432, 496, 125, 126, 129,
D14/130, 138; D21/324, 329, 330, 331,
D21/333; D18/7; D10/32; 455/556.1, 556.2;
379/433.01, 433.07, 433.1, 433.11, 433.12,
379/433.13; 345/169, 173; 348/14.02, 790;
341/22; 361/680; 273/148 B; 368/281
See application file for complete search history.

(56) **References Cited**

U.S. PATENT DOCUMENTS

D340,701 S * 10/1993 Takeuchi D14/341
D481,719 S * 11/2003 Okawa et al. D14/341
D521,527 S * 5/2006 Lee D14/496
D523,445 S * 6/2006 Toh D14/496
D523,446 S * 6/2006 Peng D14/496
7,106,578 B2 * 9/2006 Chen 361/681
D536,329 S * 2/2007 Lee D14/156
D547,282 S * 7/2007 Hsiung D14/129
D548,733 S * 8/2007 Johansson D14/341

D556,776 S * 12/2007 Yoo D14/496
D558,460 S * 1/2008 Yu et al. D6/308
D561,204 S * 2/2008 Toh D14/496
D564,471 S * 3/2008 Lee D14/126

FOREIGN PATENT DOCUMENTS

WO DM/067 367 2/2006

OTHER PUBLICATIONS

<http://www.mobiledevice.ru/Samsung-NexiO-XP40.aspx>, Samsung Nexio XP40, published Apr. 7, 2005 (1 pg.).

* cited by examiner

Primary Examiner—Cathron Brooks

Assistant Examiner—Angela J Lee

(74) *Attorney, Agent, or Firm*—Banner & Witcoff, Ltd.

(57) **CLAIM**

The ornamental design for a portable electronic device, as shown and described.

DESCRIPTION

FIG. 1 is a front view of a portable electronic device showing my new design;

FIG. 2 is a top plan view thereof;

FIG. 3 is a bottom plan view thereof;

FIG. 4 is a right side view thereof;

FIG. 5 is a left side view thereof;

FIG. 6 is a rear view thereof;

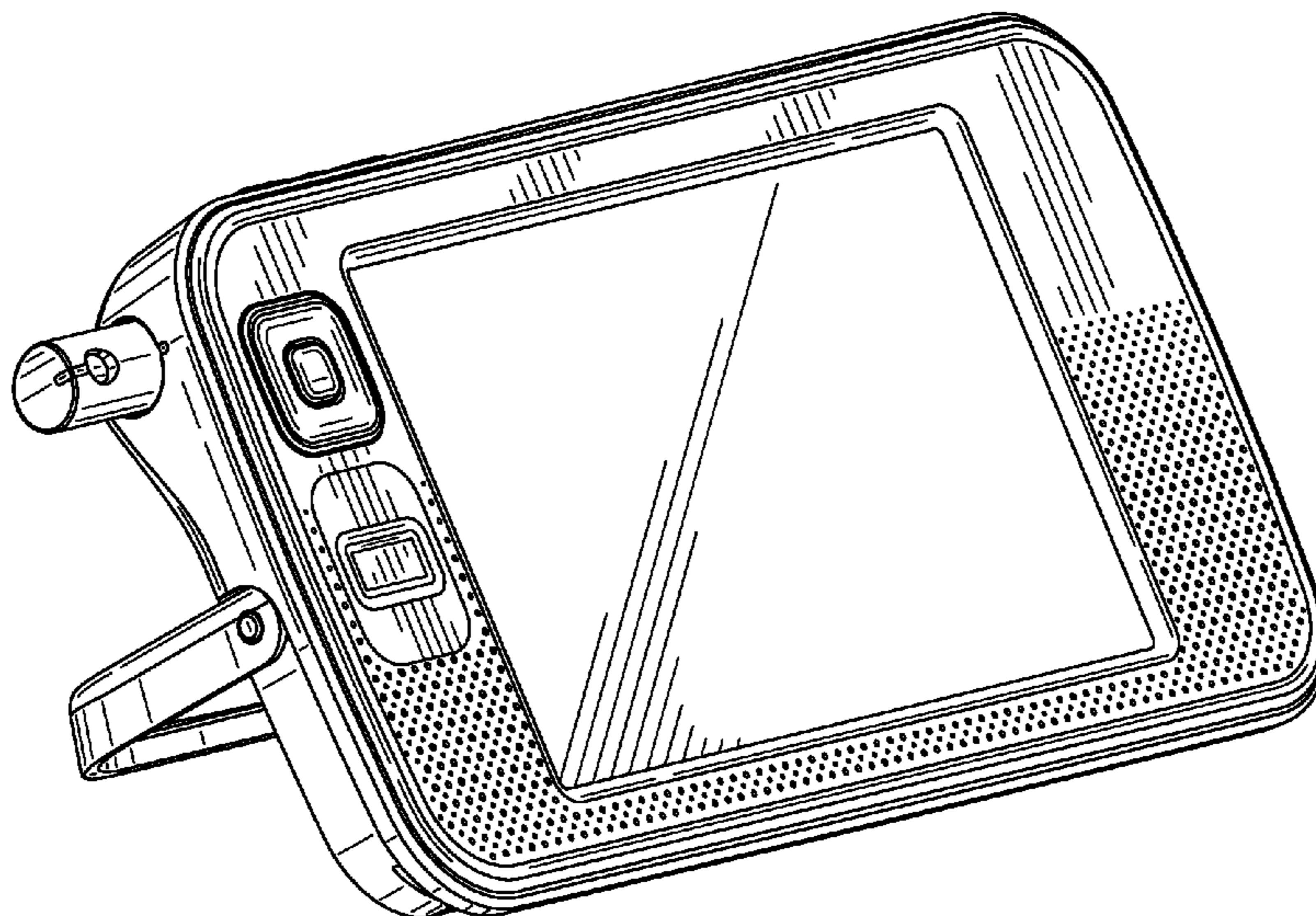
FIG. 7 is a perspective right front view thereof;

FIG. 8 is a perspective right rear view thereof;

FIG. 9 is a perspective front left view of the the portable electronic device of FIGS. 1–8 in a second in-use position; and,

FIG. 10 is a perspective rear left view thereof.

1 Claim, 4 Drawing Sheets



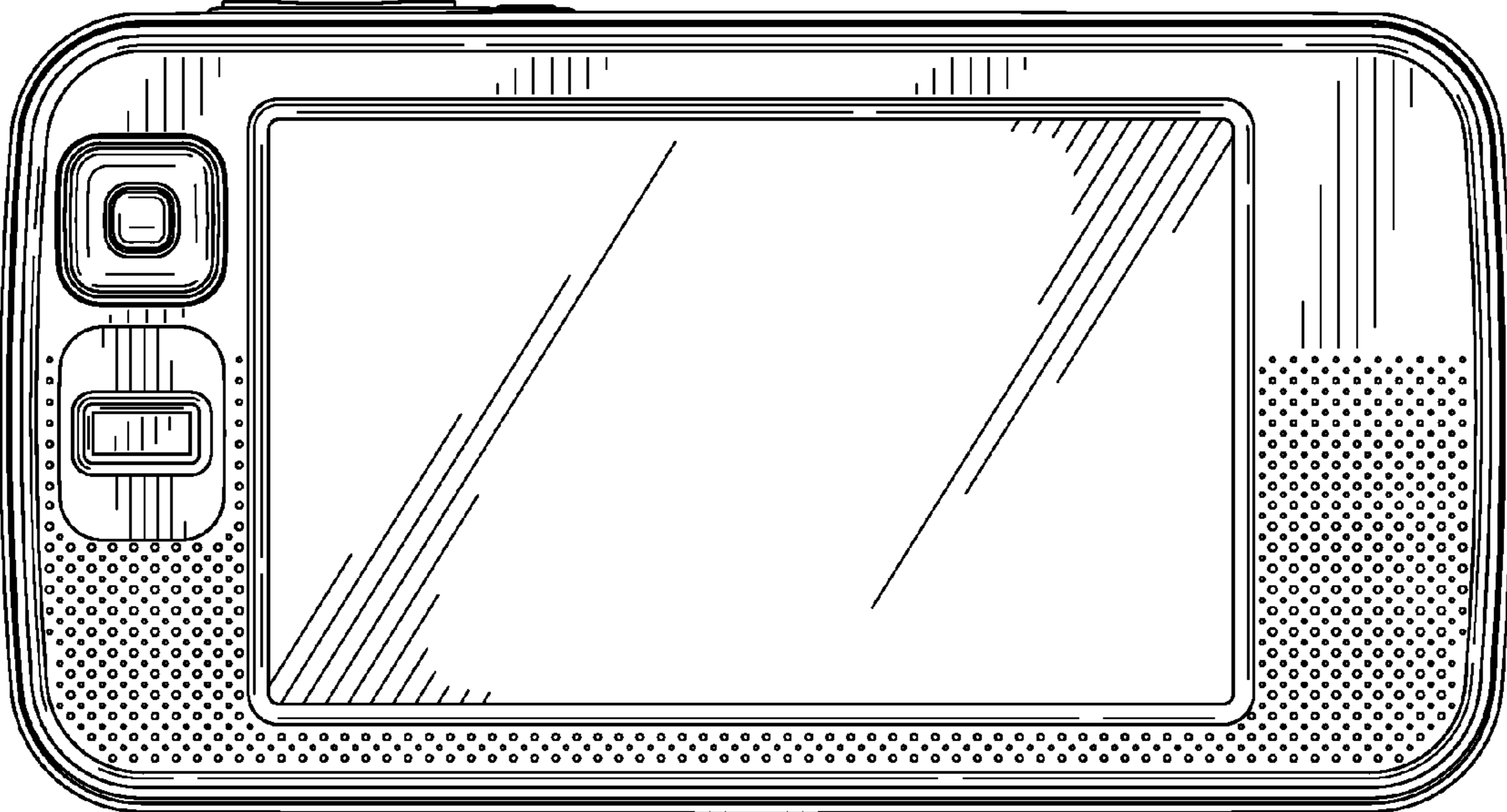


FIG. 1

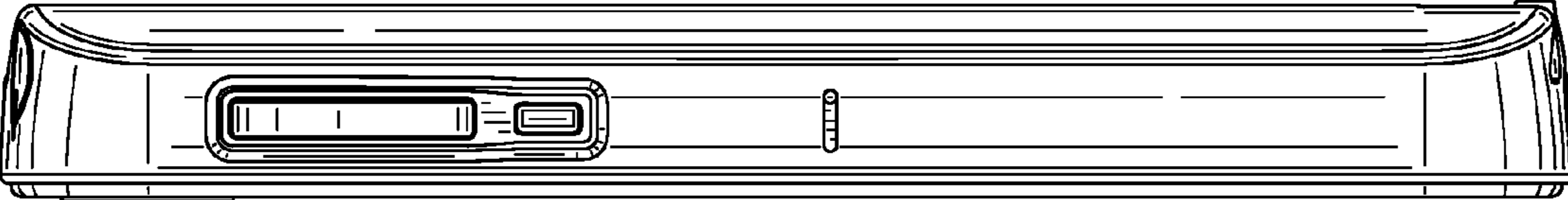


FIG. 2

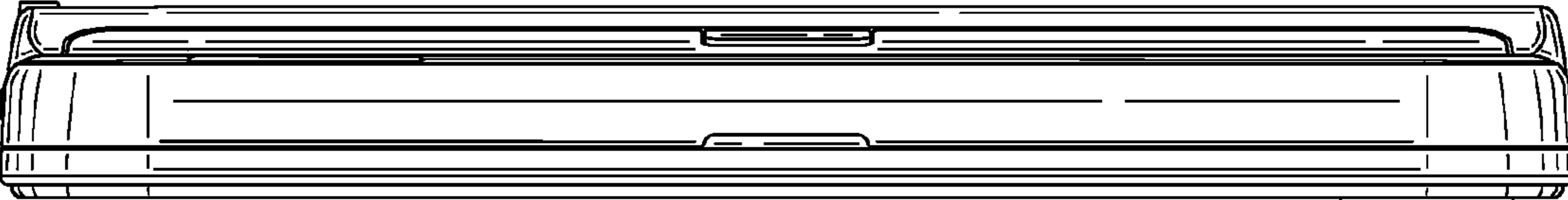


FIG. 3

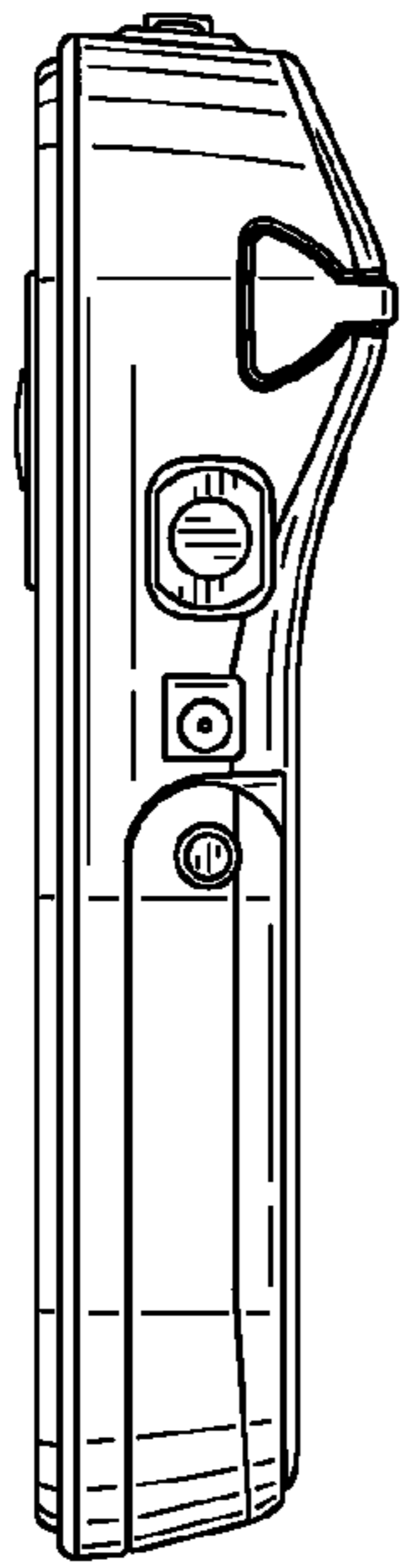


FIG. 4

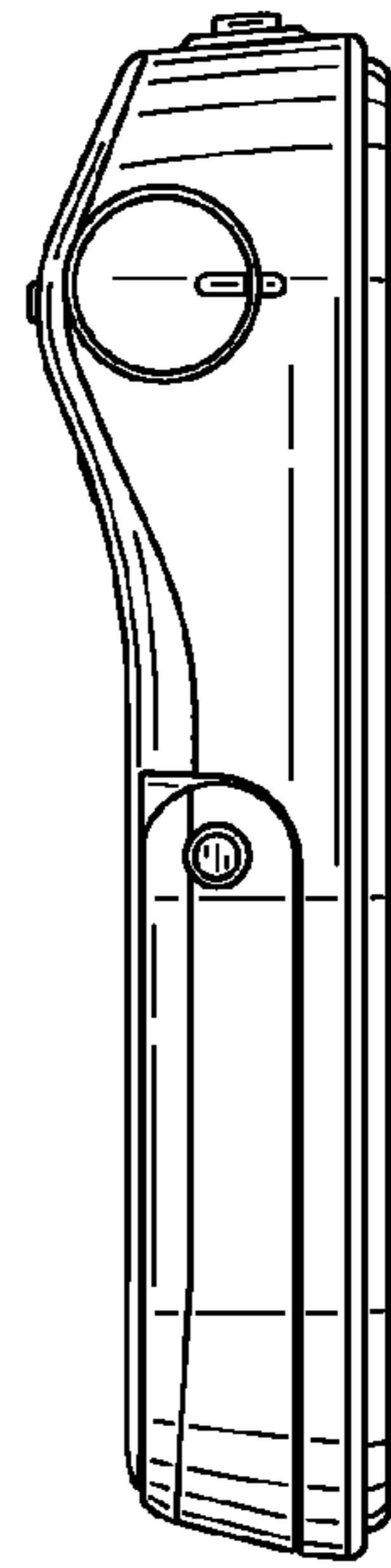


FIG. 5

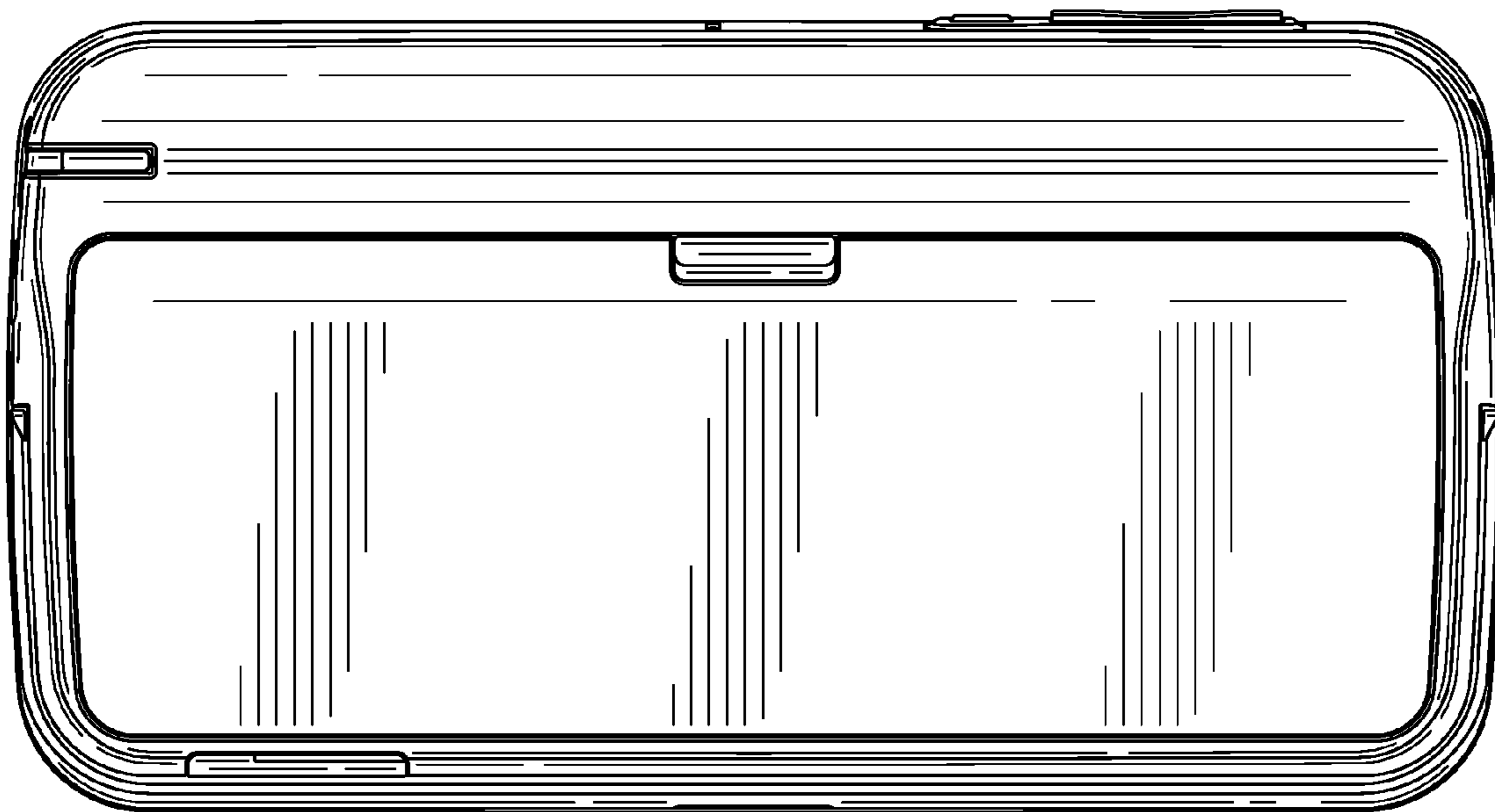


FIG. 6

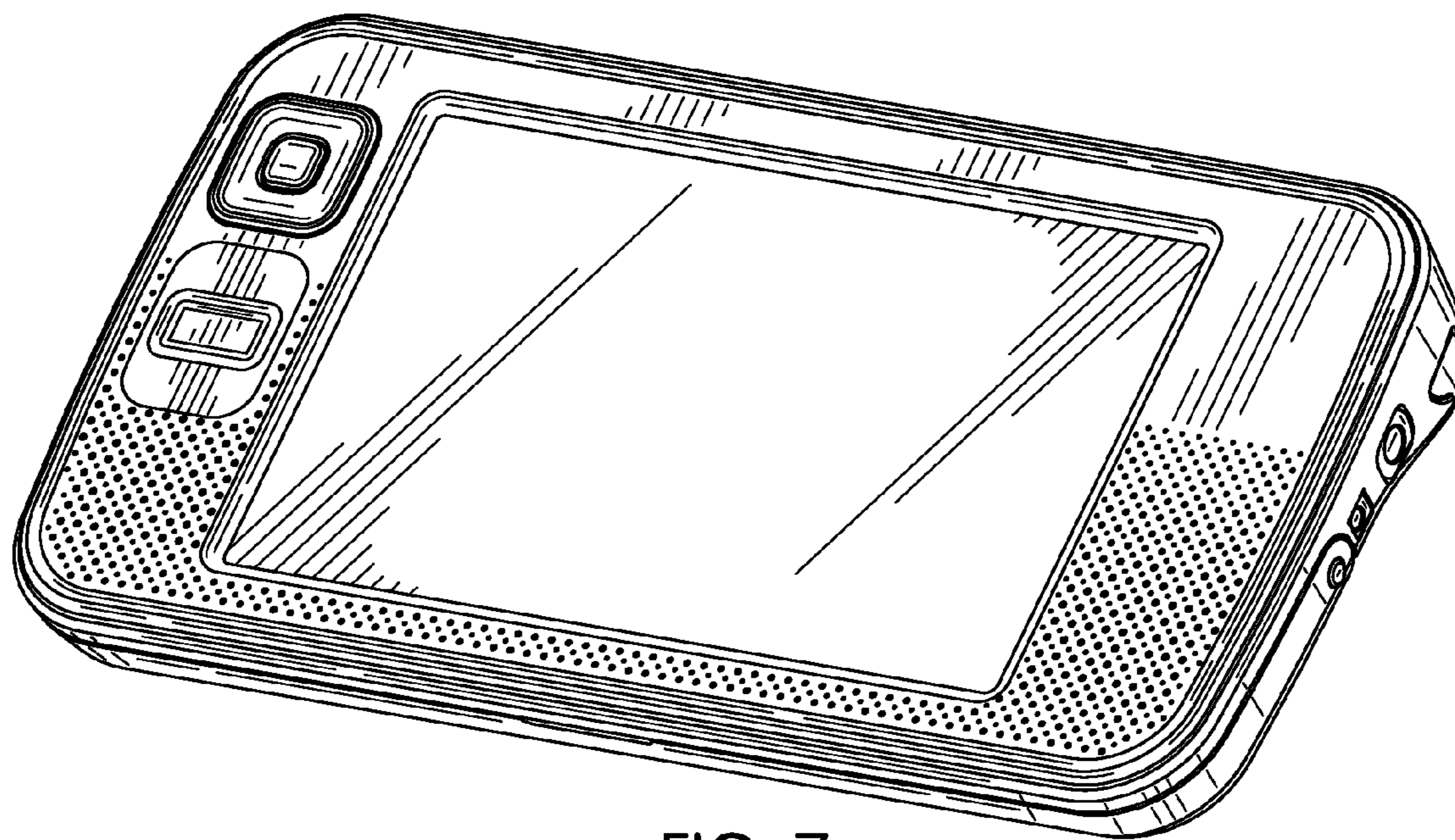


FIG. 7

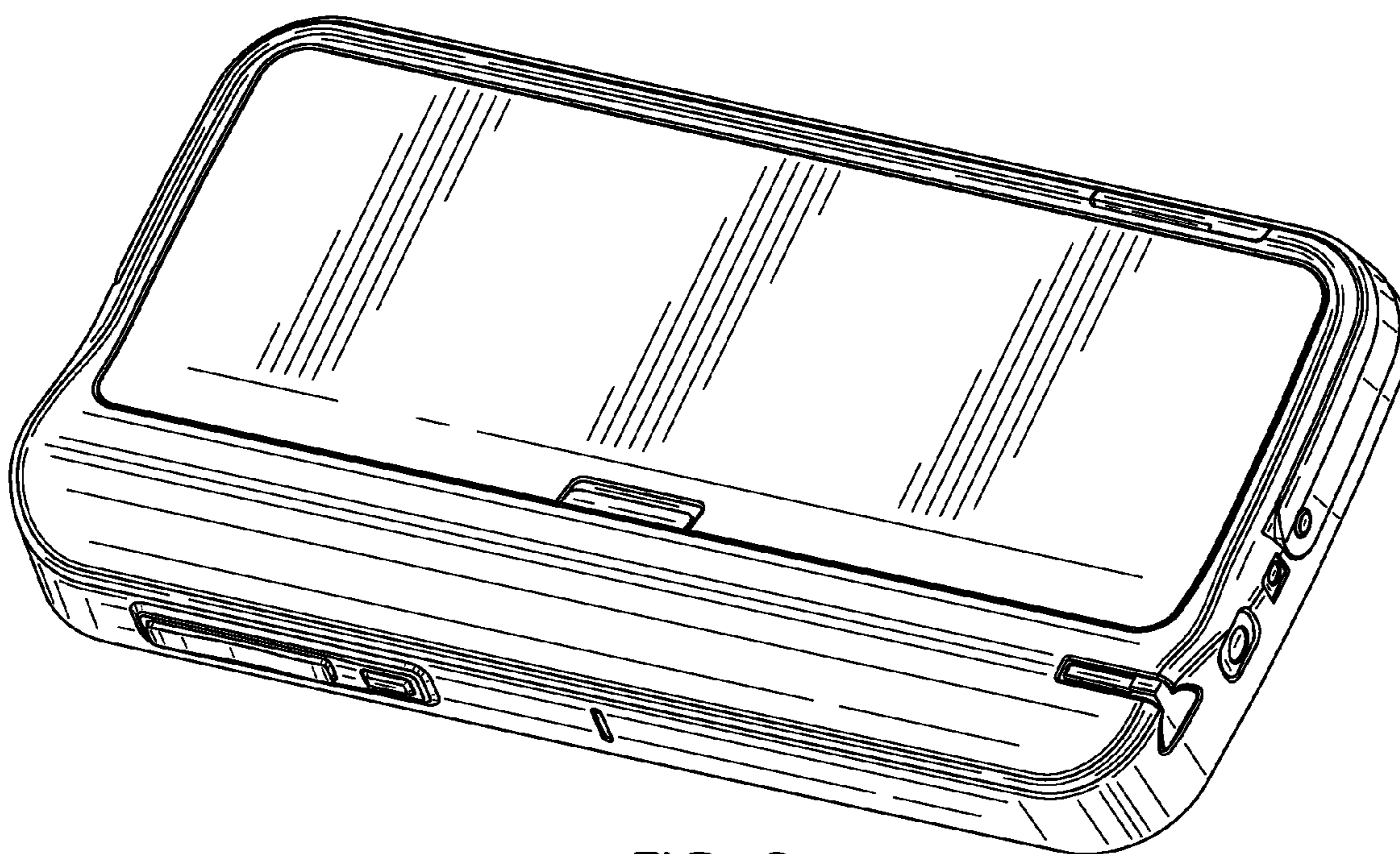


FIG. 8

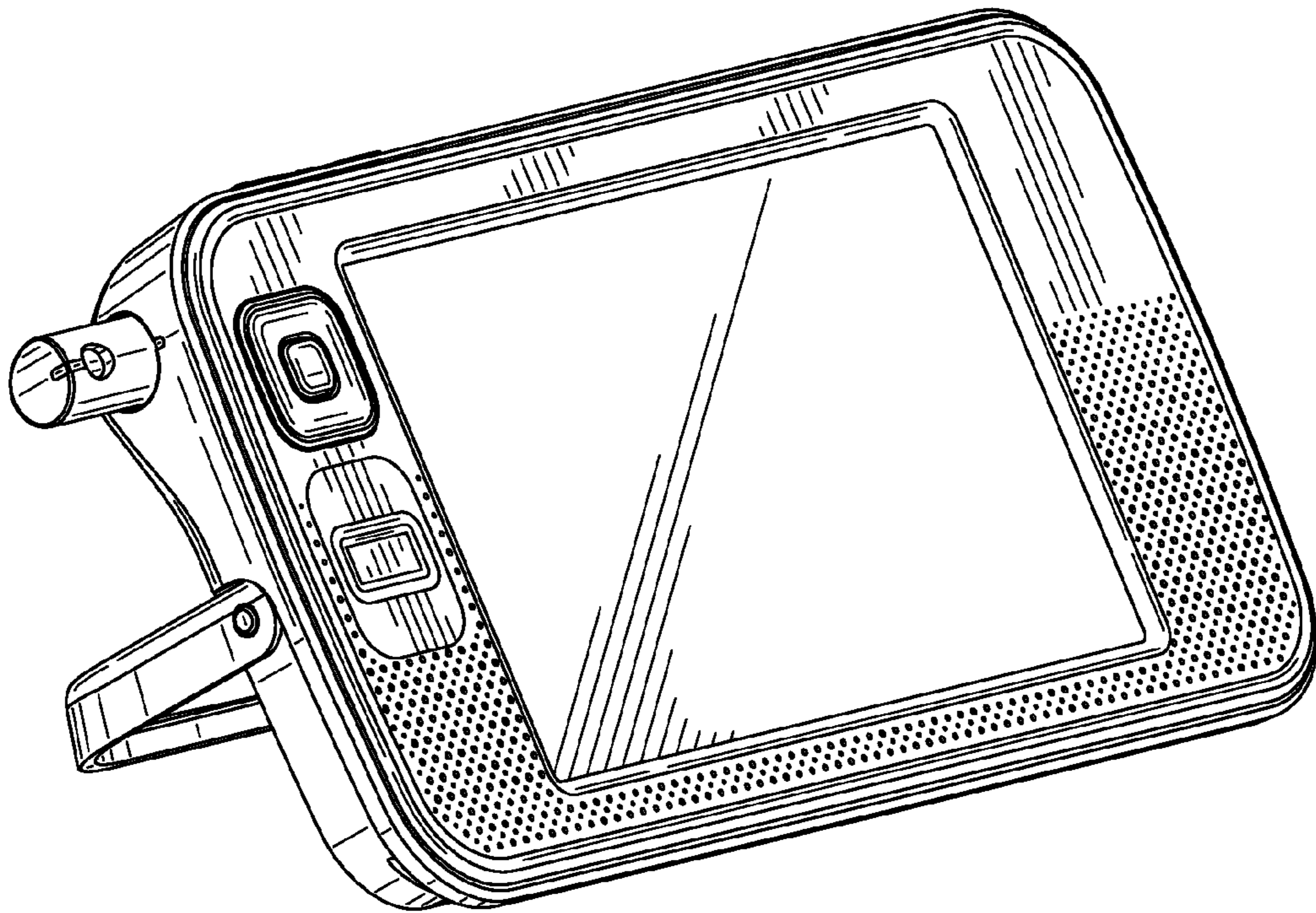


FIG. 9

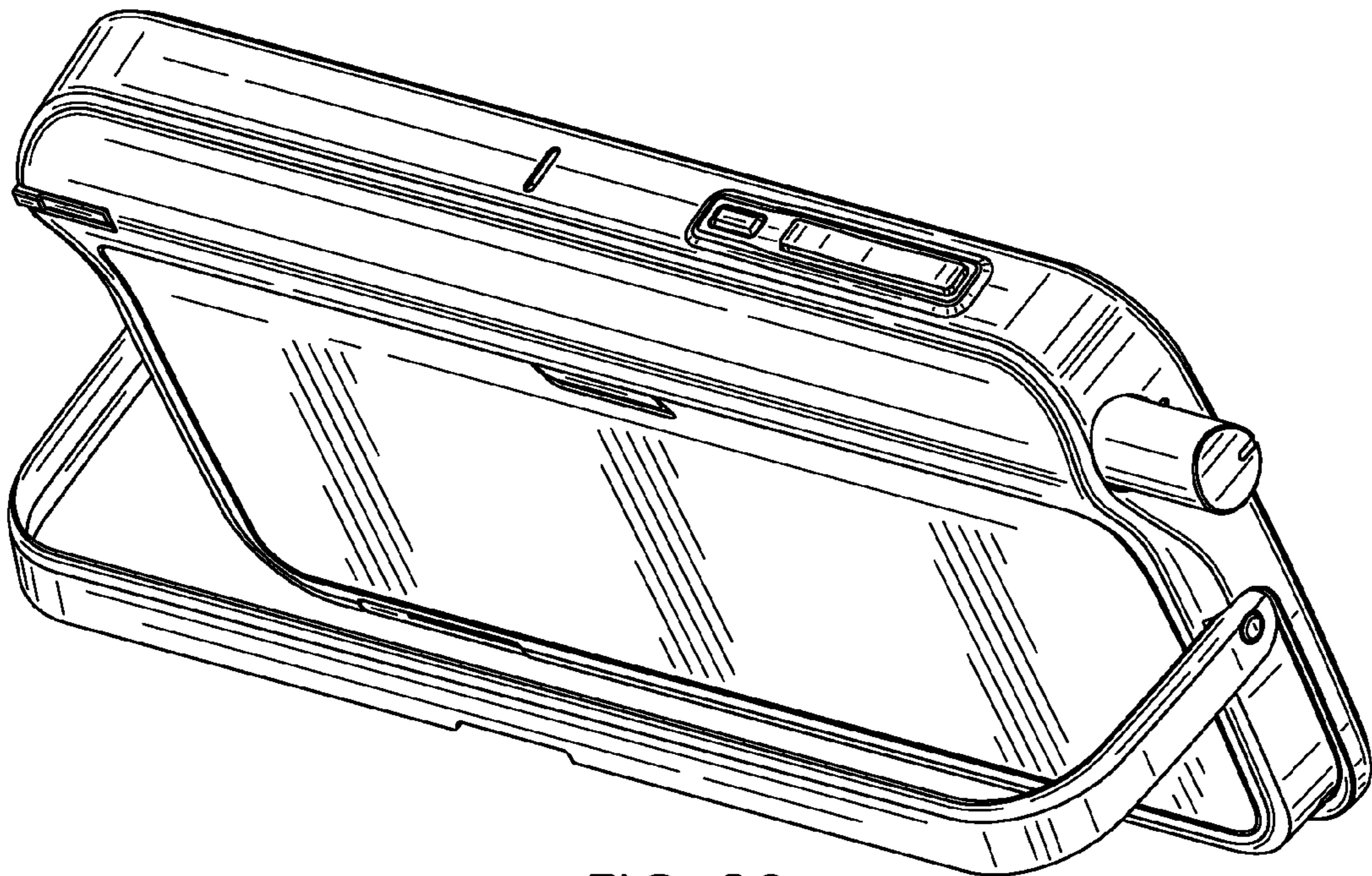


FIG. 10