



US00D576615S

(12) **United States Design Patent**
Richter

(10) **Patent No.:** **US D576,615 S**

(45) **Date of Patent:** **** Sep. 9, 2008**

(54) **INSTRUMENT SUPPORT HOLDER**

5,230,016 A * 7/1993 Yasuda 379/455
D402,666 S * 12/1998 Golder D14/253

(76) Inventor: **Harald Richter**, Höhenstrasse 32, 75331
Engelbrand (DE)

* cited by examiner

(**) Term: **14 Years**

Primary Examiner—Terry A Wallace
(74) *Attorney, Agent, or Firm*—Klaus J. Bach

(21) Appl. No.: **29/253,722**

(57) **CLAIM**

(22) Filed: **Feb. 10, 2006**

The ornamental design for an instrument support holder, as shown and described.

(51) **LOC (8) Cl.** **14-03**

(52) **U.S. Cl.** **D14/253; D14/447**

(58) **Field of Classification Search** D14/251–253,
D14/299, 149, 447; 379/426, 446, 454, 455;
248/206.2–206.4

DESCRIPTION

See application file for complete search history.

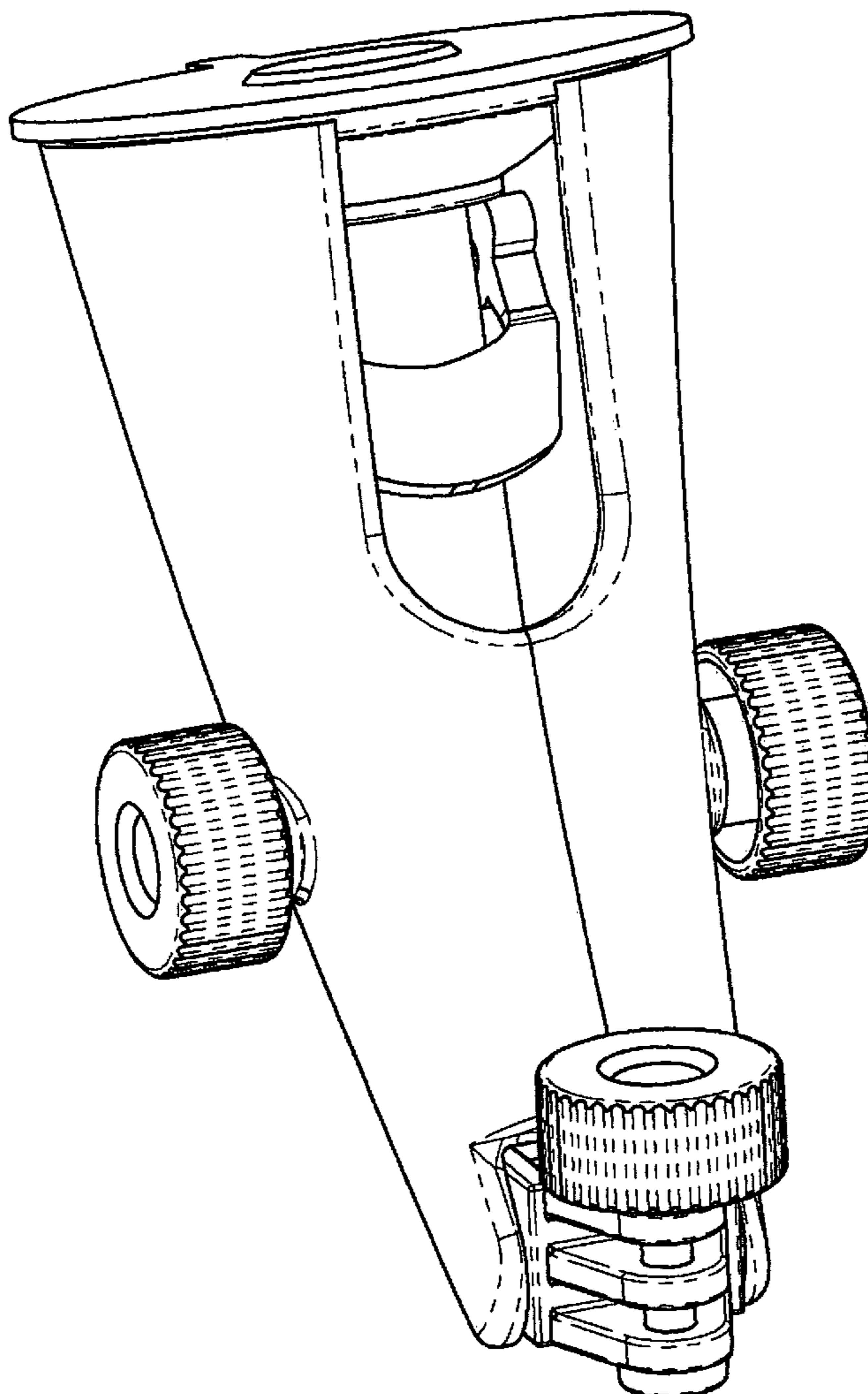
FIG. 1 is a front view of an instrument support holder;
FIG. 2 is left side view of the instrument support holder shown in FIG. 1; and,
FIG. 3 is a right side view of the instrument support holder shown in FIG. 1.

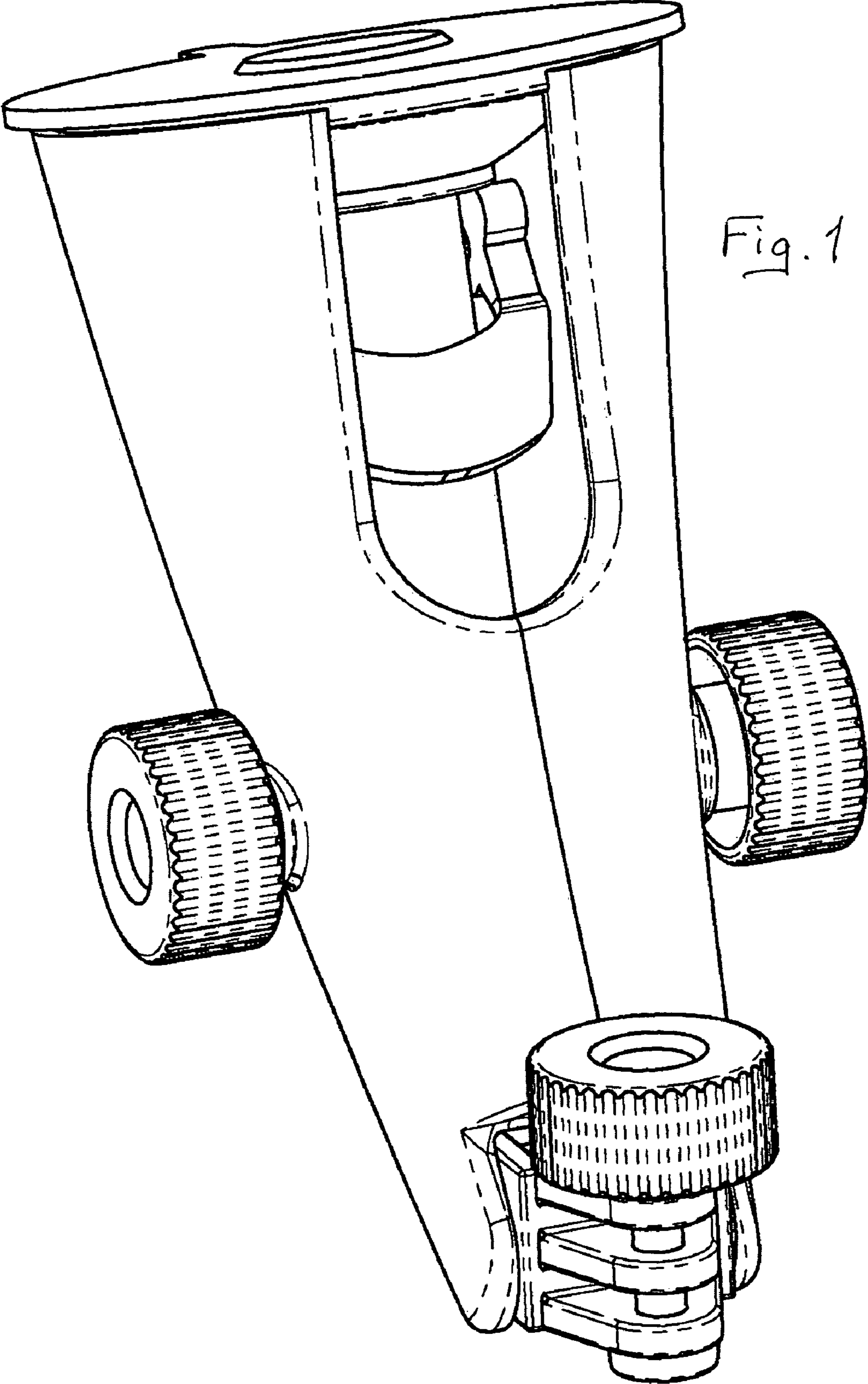
(56) **References Cited**

U.S. PATENT DOCUMENTS

5,187,744 A * 2/1993 Richter 379/455

1 Claim, 3 Drawing Sheets





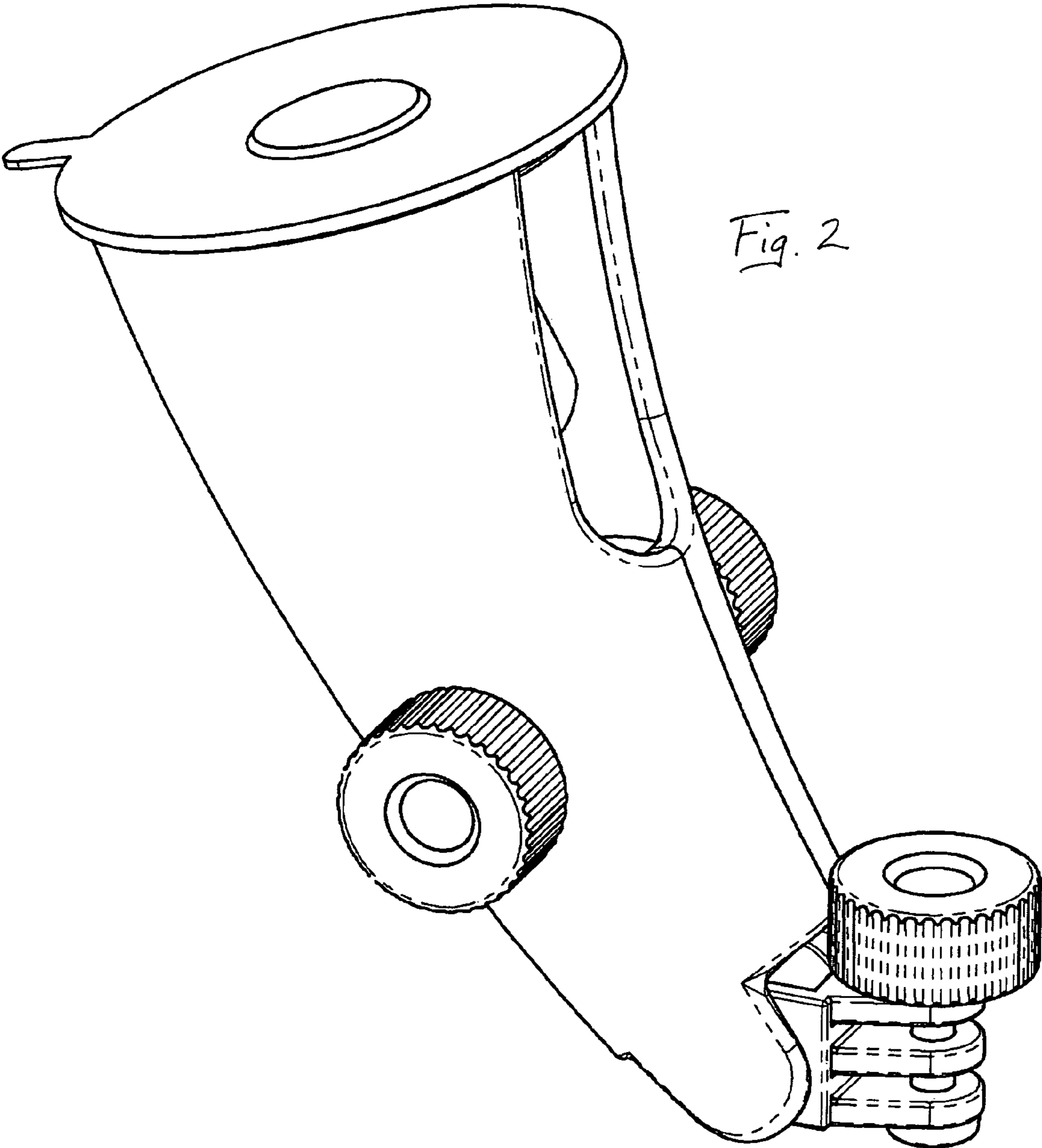


Fig. 2

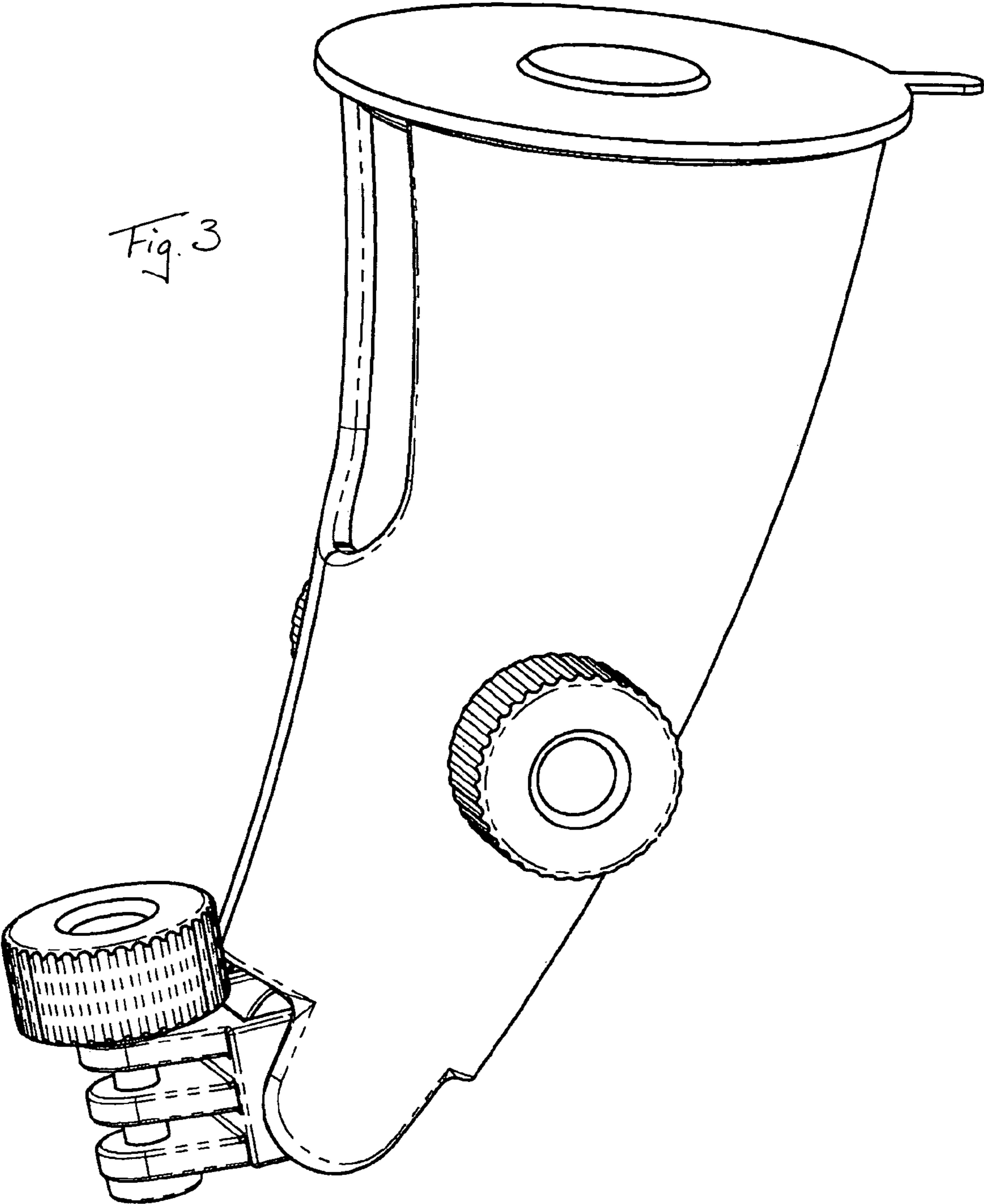


Fig. 3