



US00D576614S

(12) **United States Design Patent**  
**Lee et al.**

(10) **Patent No.:** **US D576,614 S**  
(45) **Date of Patent:** **\*\* Sep. 9, 2008**

(54) **ANTENNA**

(75) Inventors: **Yi Ju Lee**, Tu-Cheng (TW); **An Yu Yen**,  
Tu-Cheng (TW)

(73) Assignee: **Cheng Uei Precision Industry Co.,  
Ltd.**, Taipei Hsien (TW)

(\*\*) Term: **14 Years**

(21) Appl. No.: **29/290,758**

(22) Filed: **Jan. 11, 2008**

(51) **LOC (8) Cl.** ..... **14-03**

(52) **U.S. Cl.** ..... **D14/230**

(58) **Field of Classification Search** ..... D14/138,  
D14/230-238, 299, 358; D12/42, 43; 343/700 MS,  
343/700 R-705, 711-713, 741, 748, 767,  
343/795, 819, 840, 846, 866, 871-908; 455/90.2,  
455/90.3, 91, 128, 269, 344, 347, 562.1  
See application file for complete search history.

(56) **References Cited**

**U.S. PATENT DOCUMENTS**

D456,388 S \* 4/2002 Hwang ..... D14/230  
6,836,252 B2 \* 12/2004 Tai et al. .... 343/702  
7,061,437 B2 \* 6/2006 Lin et al. .... 343/702  
D531,622 S \* 11/2006 Chen et al. .... D14/230

D553,969 S \* 10/2007 Allsopp ..... D8/394  
7,333,067 B2 \* 2/2008 Hung et al. .... 343/770  
7,352,329 B2 \* 4/2008 Chung et al. .... 343/700 MS  
2005/0128151 A1 \* 6/2005 Kwak et al. .... 343/702  
2006/0197705 A1 \* 9/2006 Chen et al. .... 343/700 MS  
2007/0040750 A1 \* 2/2007 Tai et al. .... 343/700 MS

\* cited by examiner

*Primary Examiner*—Louis S Zarfaz

*Assistant Examiner*—John Windmuller

(74) *Attorney, Agent, or Firm*—Rosenberg, Klein & Lee

(57) **CLAIM**

The ornamental design for an antenna, as shown and described.

**DESCRIPTION**

FIG. 1 is a perspective view of an antenna showing our new design;

FIG. 2 is a front elevational view thereof;

FIG. 3 is a rear elevational view thereof;

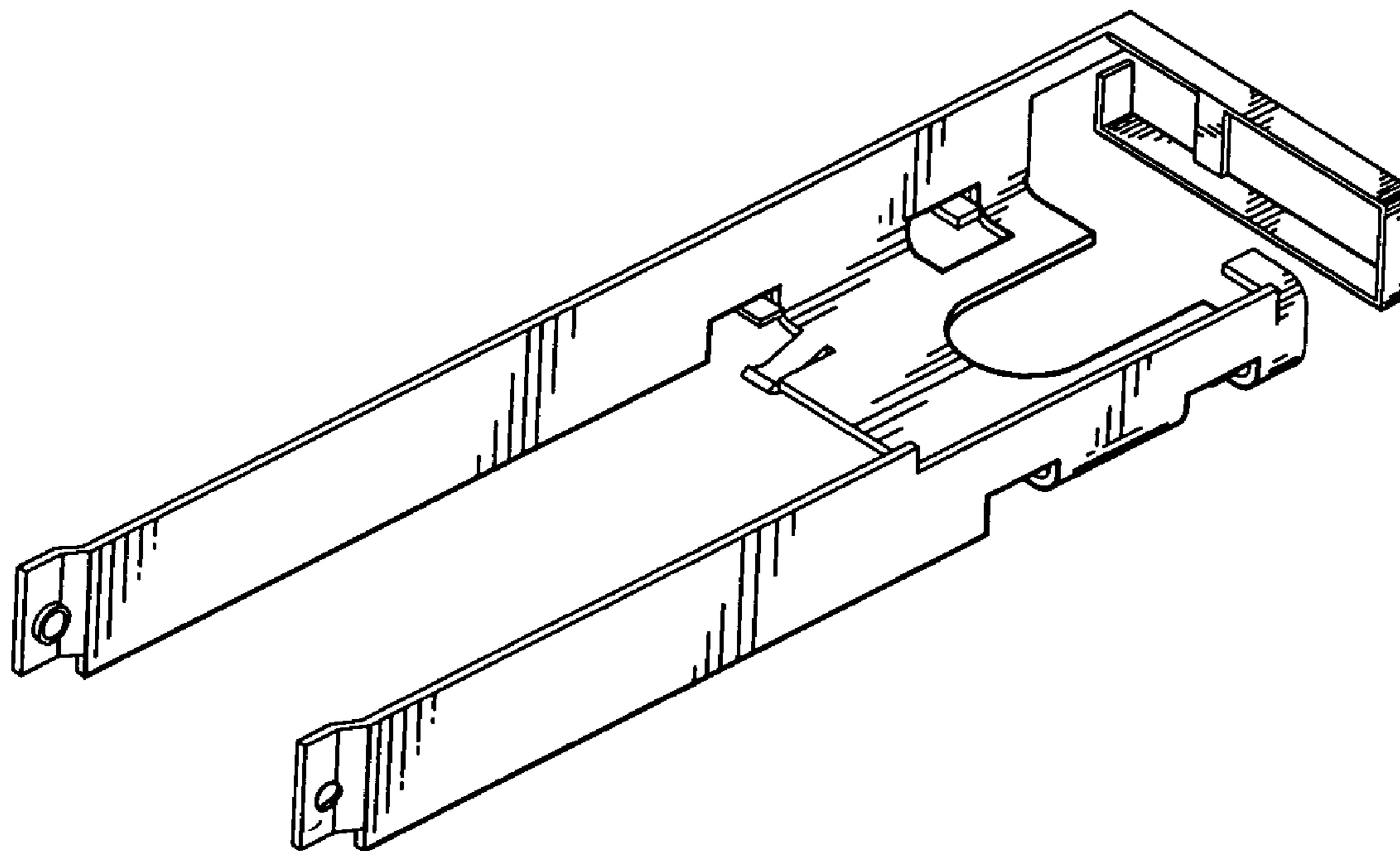
FIG. 4 is a left side elevational view thereof;

FIG. 5 is a right side elevational view thereof;

FIG. 6 is a top plan view thereof; and,

FIG. 7 is a bottom plan view thereof.

**1 Claim, 7 Drawing Sheets**



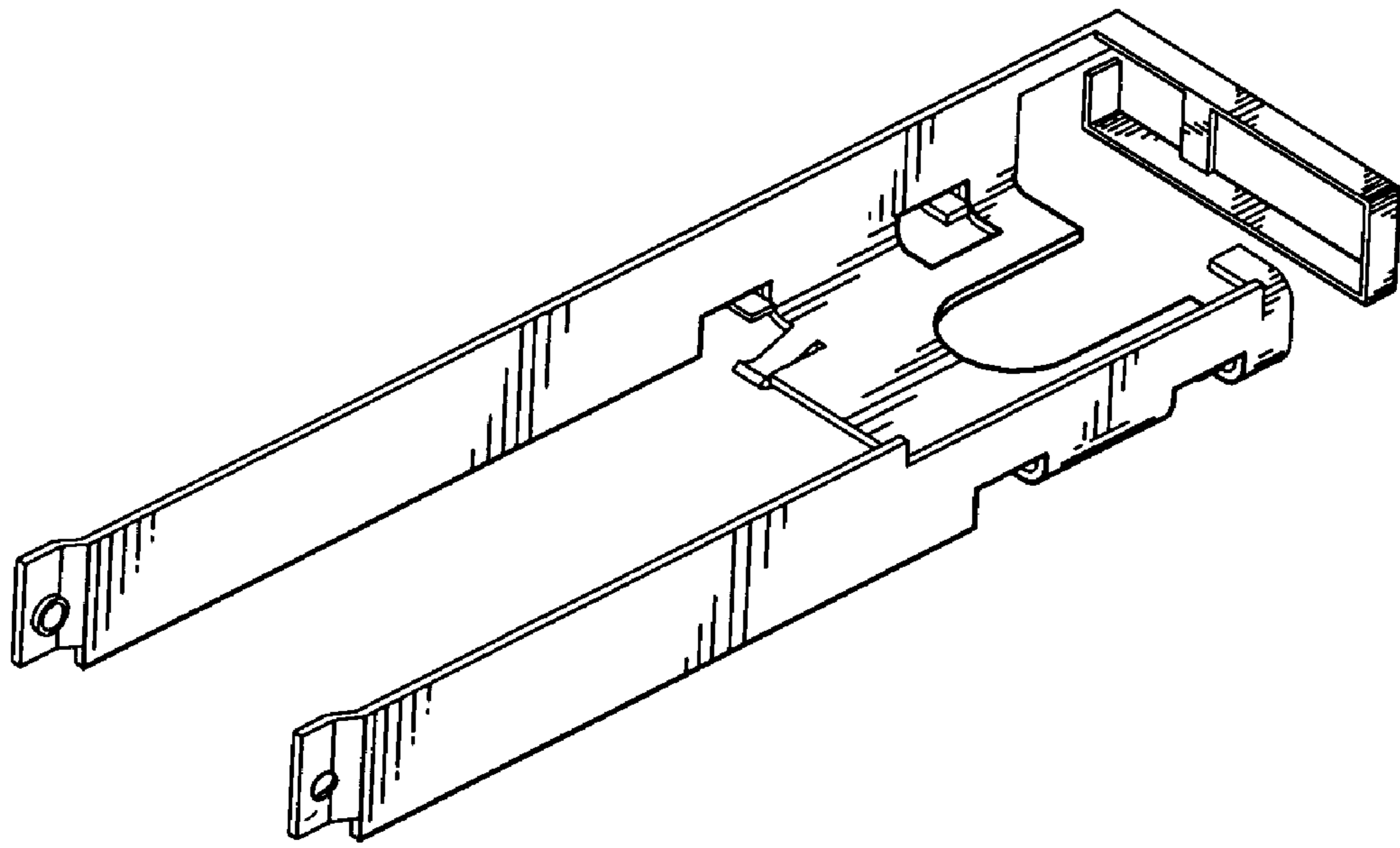


FIG. 1

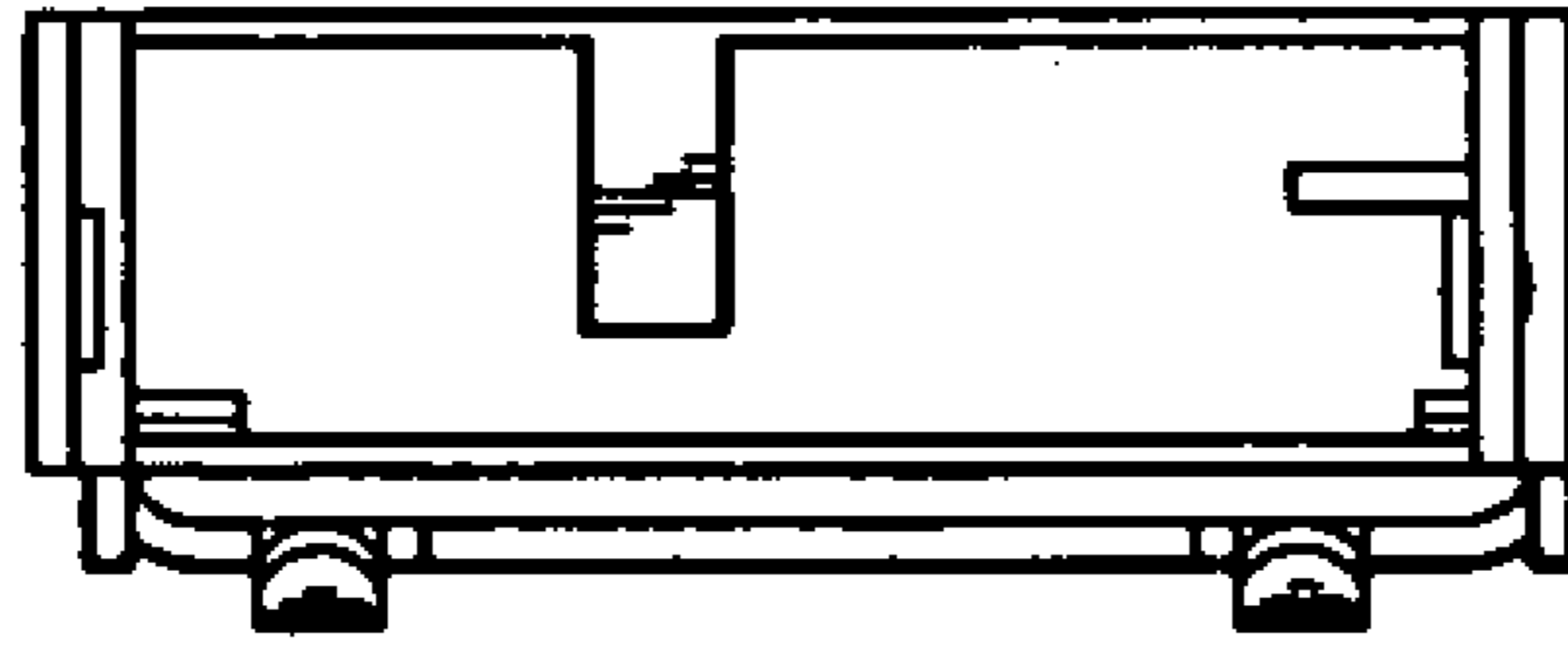


FIG. 2

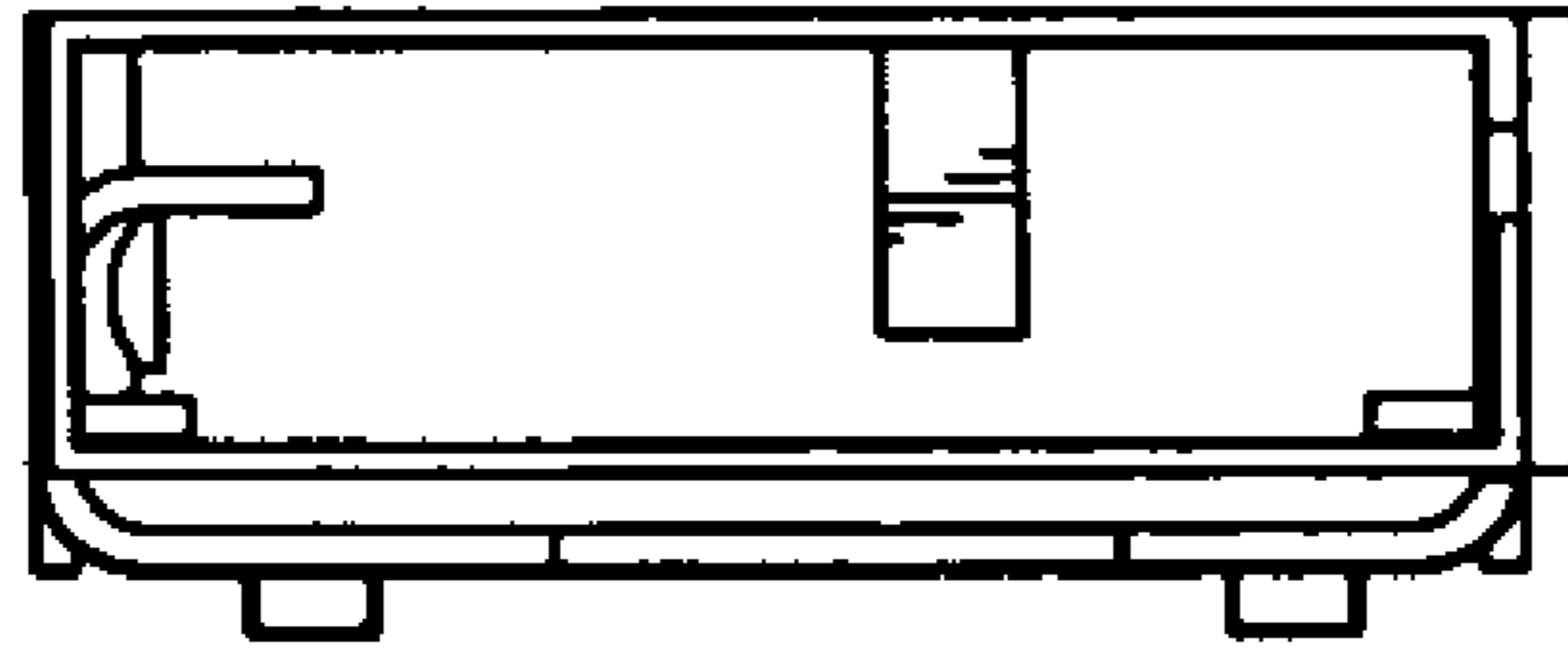


FIG. 3

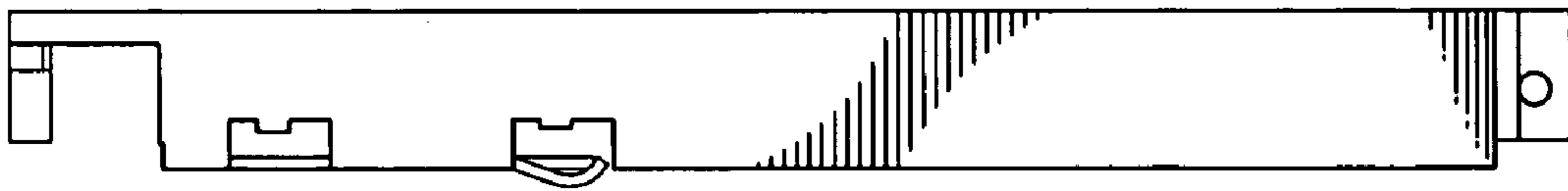


FIG. 4

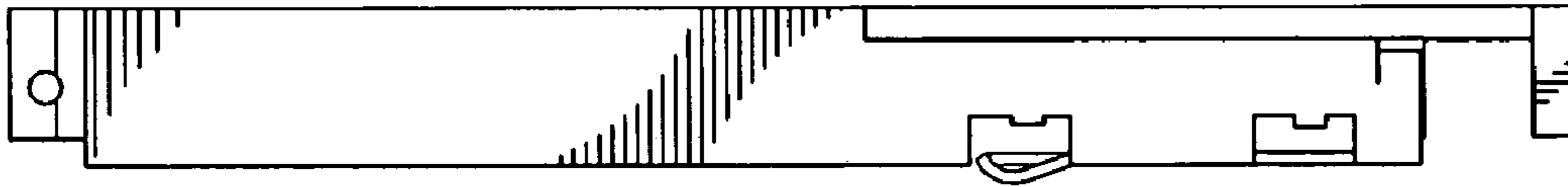


FIG. 5

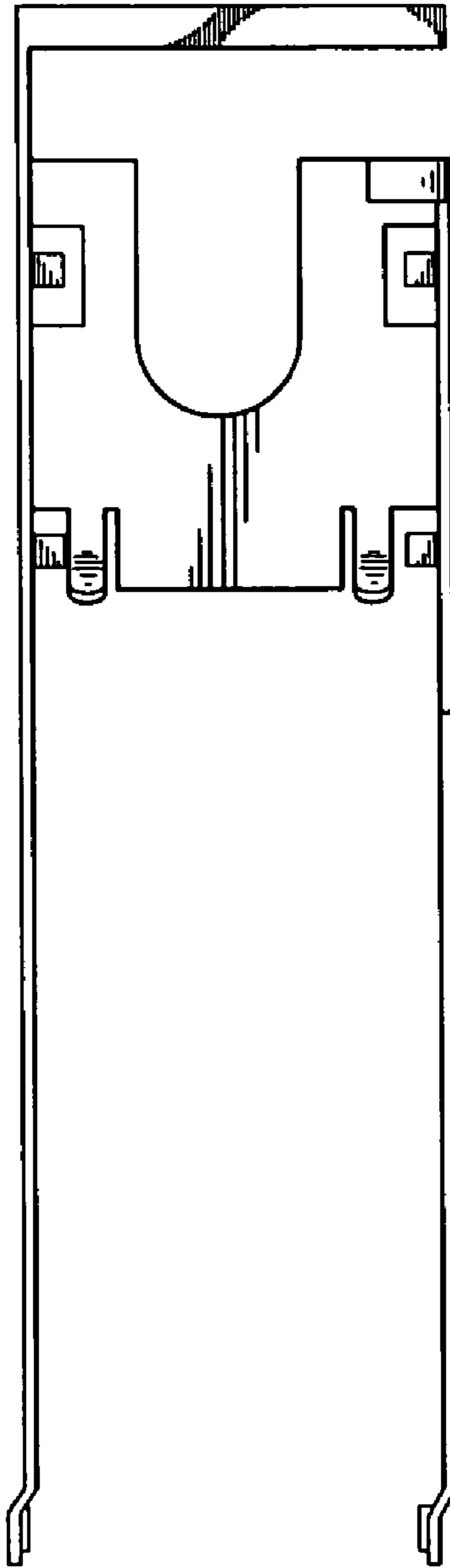


FIG. 6

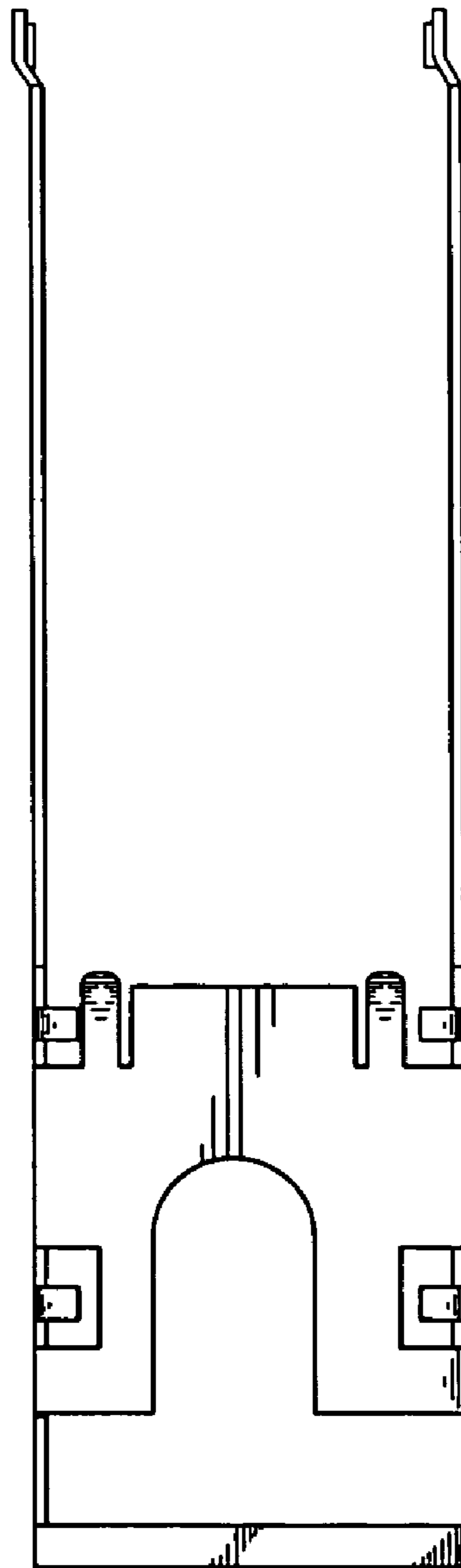


FIG. 7