



US00D576609S

(12) **United States Design Patent**  
**Bradford et al.**

(10) **Patent No.:** **US D576,609 S**

(45) **Date of Patent:** **\*\* Sep. 9, 2008**

(54) **HEADSET**

(75) Inventors: **Simon Bradford**, Middlesex (GB);  
**Mikael Jaakkola**, Turku (FI); **Sami Lehtovaara**, Masku (FI)

(73) Assignee: **Nokia Corporation**, Espoo (FI)

(\*\*) Term: **14 Years**

(21) Appl. No.: **29/281,897**

(22) Filed: **Jul. 5, 2007**

(30) **Foreign Application Priority Data**

Jan. 5, 2007 (FI) ..... M20070004

(51) **LOC (8) Cl.** ..... **14-01**

(52) **U.S. Cl.** ..... **D14/223; D14/205**

(58) **Field of Classification Search** ..... D14/138,  
D14/167, 188, 192, 205-206, 223; 181/129-130;  
379/430, 433.01, 433.02, 433.03; 381/370,  
381/374-379, 380, 381; 455/575.1, 575.4,  
455/575.6, 550.1, 569.1; D24/173, 174  
See application file for complete search history.

(56) **References Cited**

**U.S. PATENT DOCUMENTS**

D509,210 S \* 9/2005 Skulley et al. .... D14/205

D517,054 S \* 3/2006 Yang ..... D14/223  
D538,268 S \* 3/2007 Gibson et al. .... D14/223  
D553,613 S \* 10/2007 Sade et al. .... D14/223  
D555,151 S \* 11/2007 Eklund ..... D14/223  
D559,836 S \* 1/2008 Lee ..... D14/223  
D566,105 S \* 4/2008 Yang et al. .... D14/223  
D566,108 S \* 4/2008 Kan ..... D14/223  
D566,692 S \* 4/2008 Sade et al. .... D14/223

\* cited by examiner

*Primary Examiner*—Paula Greene

(74) *Attorney, Agent, or Firm*—Banner & Witcoff, Ltd.

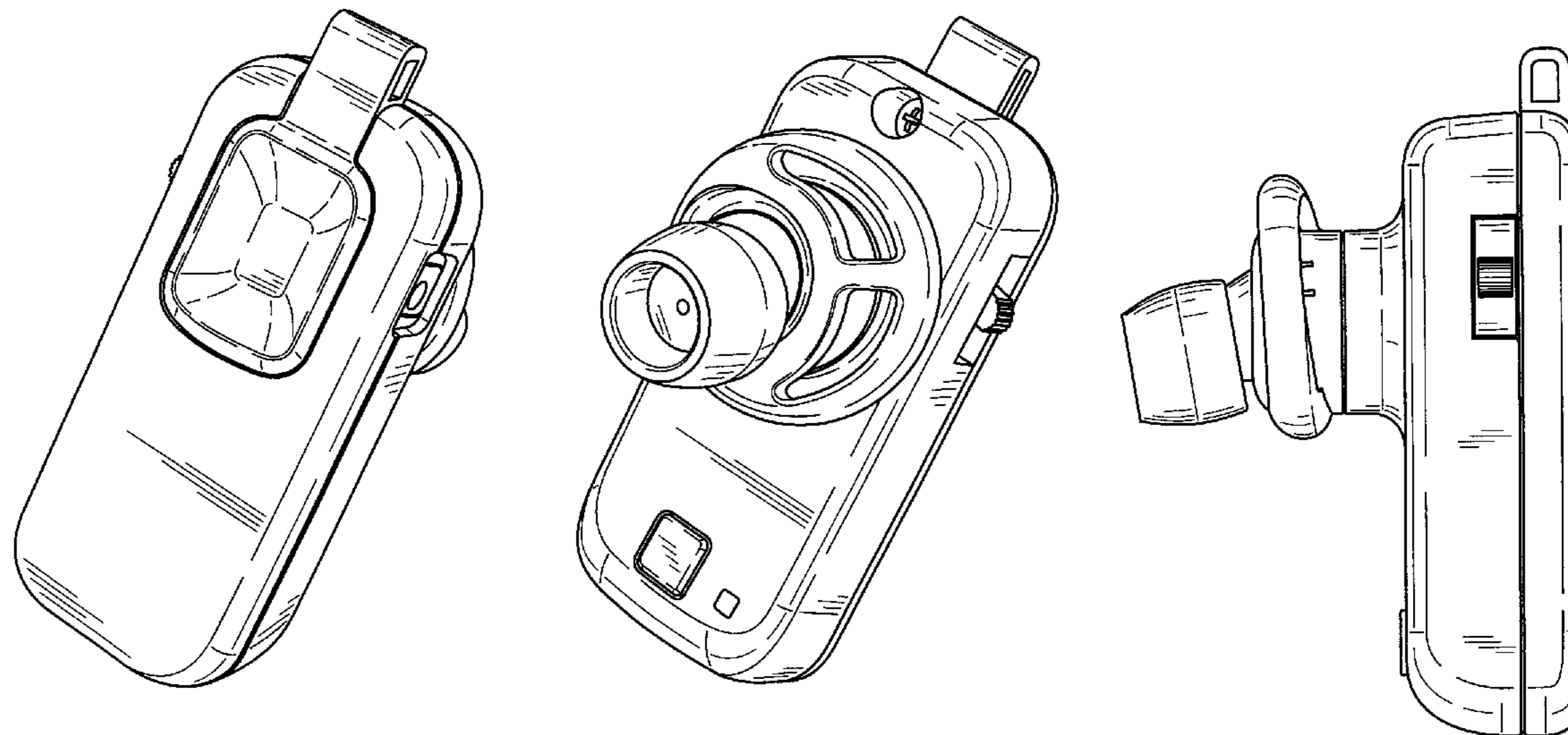
(57) **CLAIM**

The ornamental design for a headset, as shown and described.

**DESCRIPTION**

FIG. 1 is a front view of a headset showing our new design;  
FIG. 2 is a perspective front view thereof,  
FIG. 3 is a rear view thereof;  
FIG. 4 is a perspective rear view thereof;  
FIG. 5 is a right side view thereof;  
FIG. 6 is a left side view thereof;  
FIG. 7 is a bottom plan view thereof; and,  
FIG. 8 is a top plan view thereof.

**1 Claim, 4 Drawing Sheets**



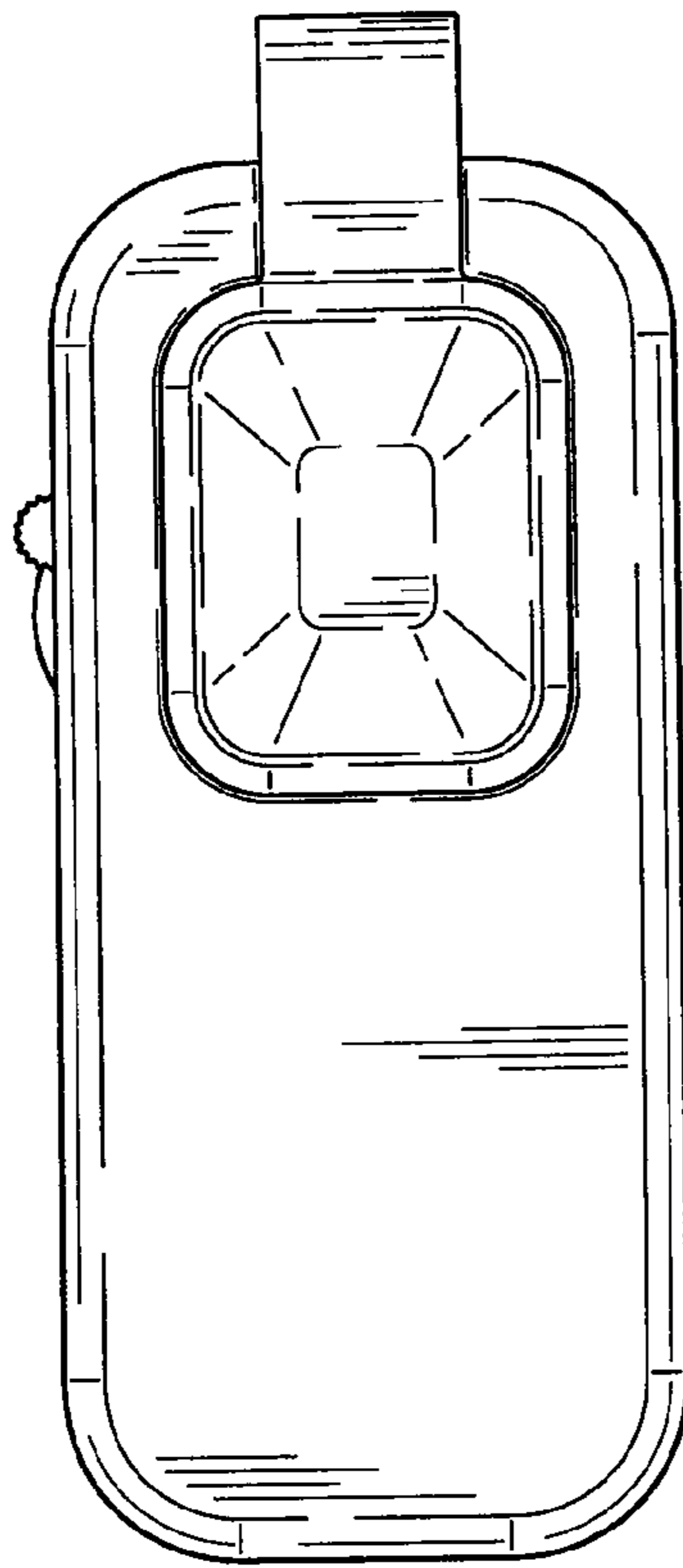


FIG. 1

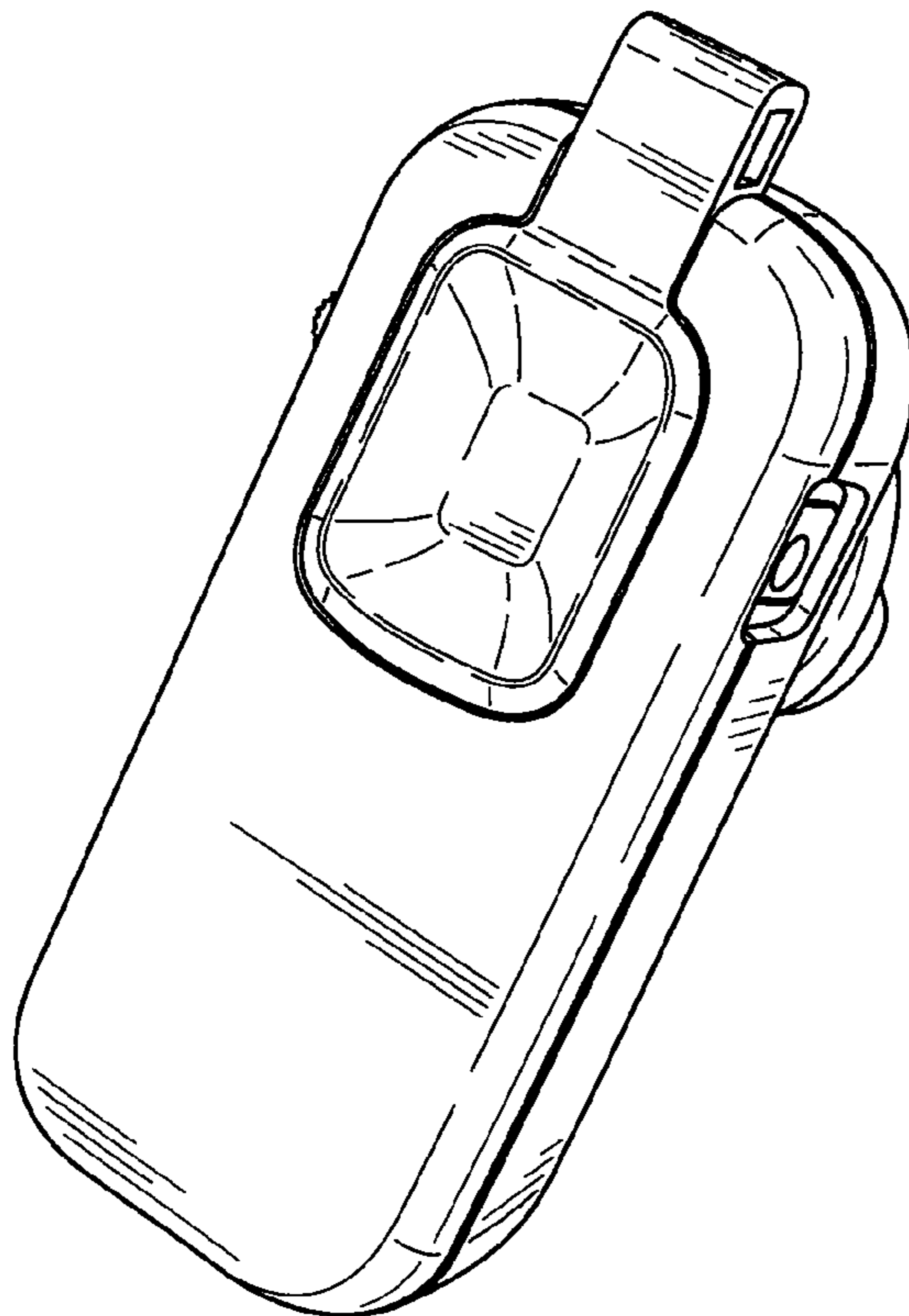


FIG. 2

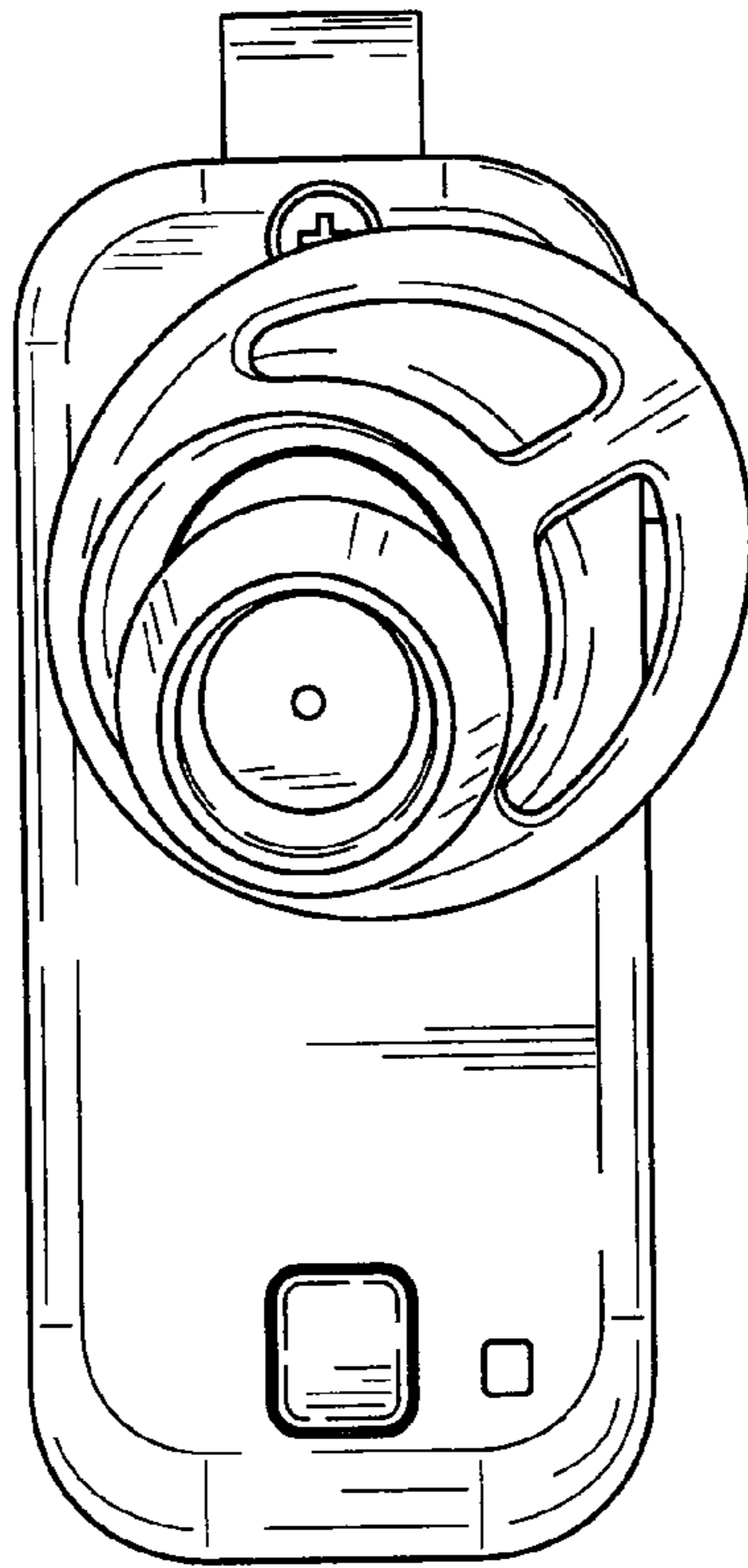


FIG. 3

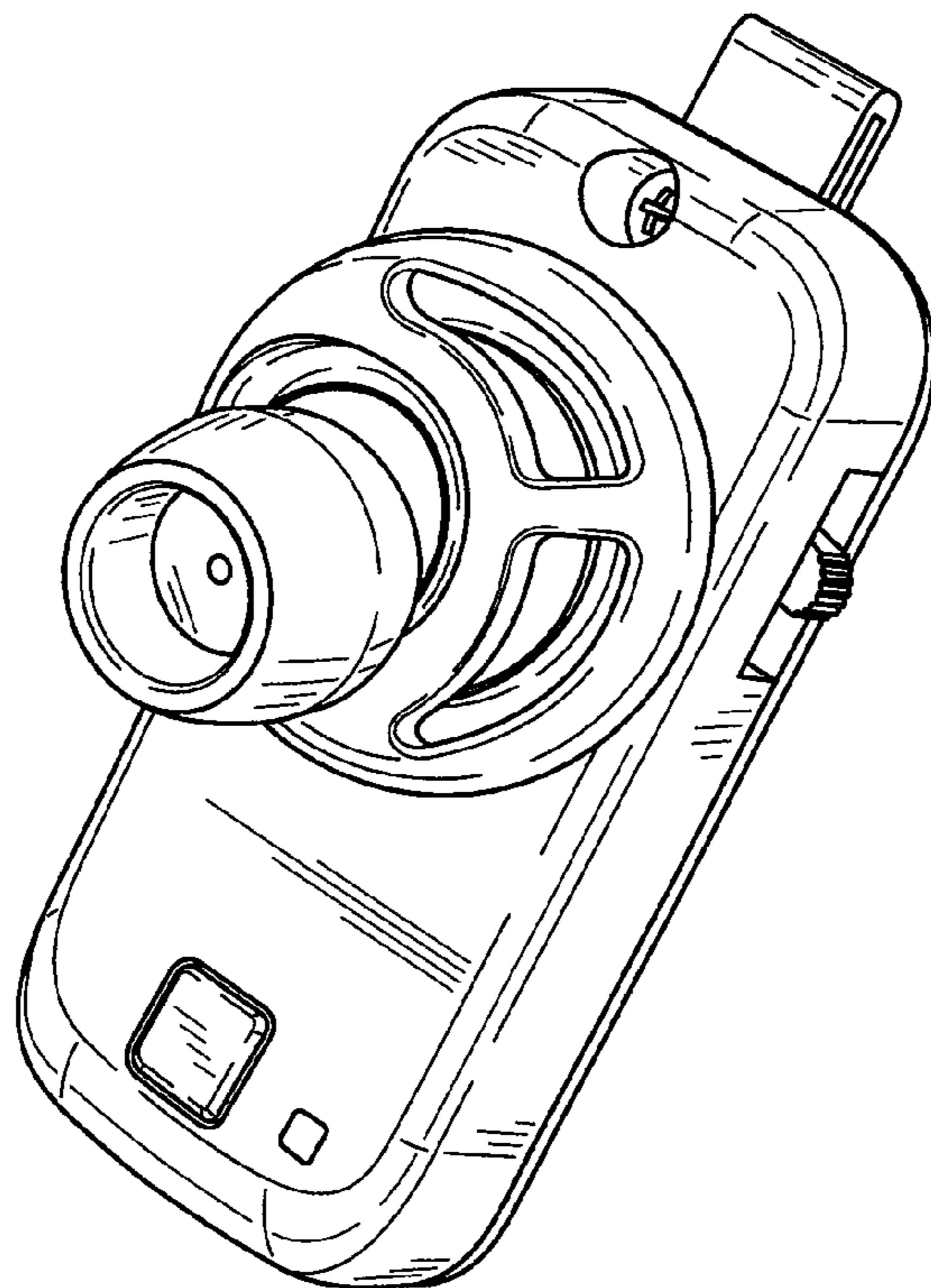


FIG. 4

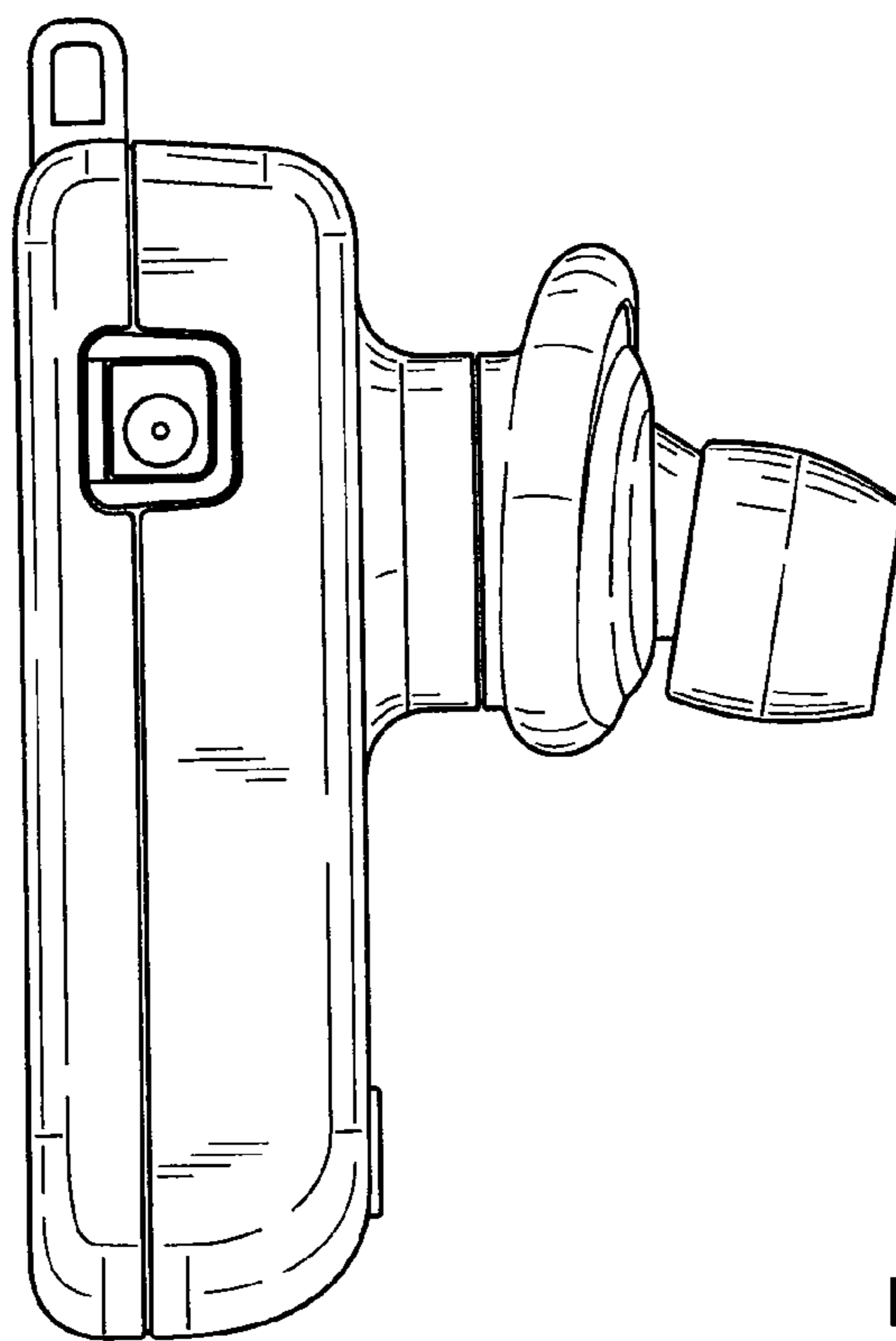


FIG. 5

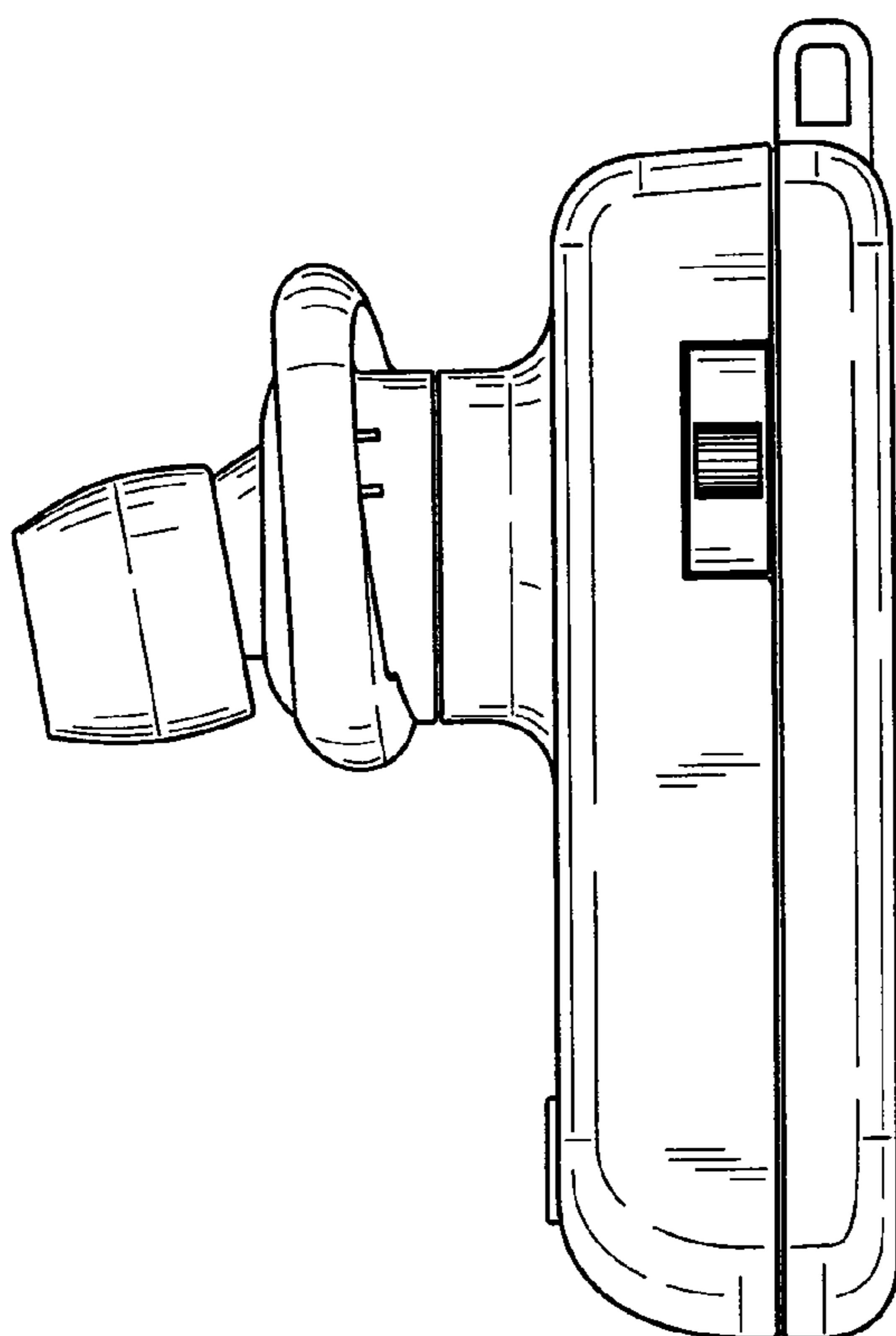


FIG. 6

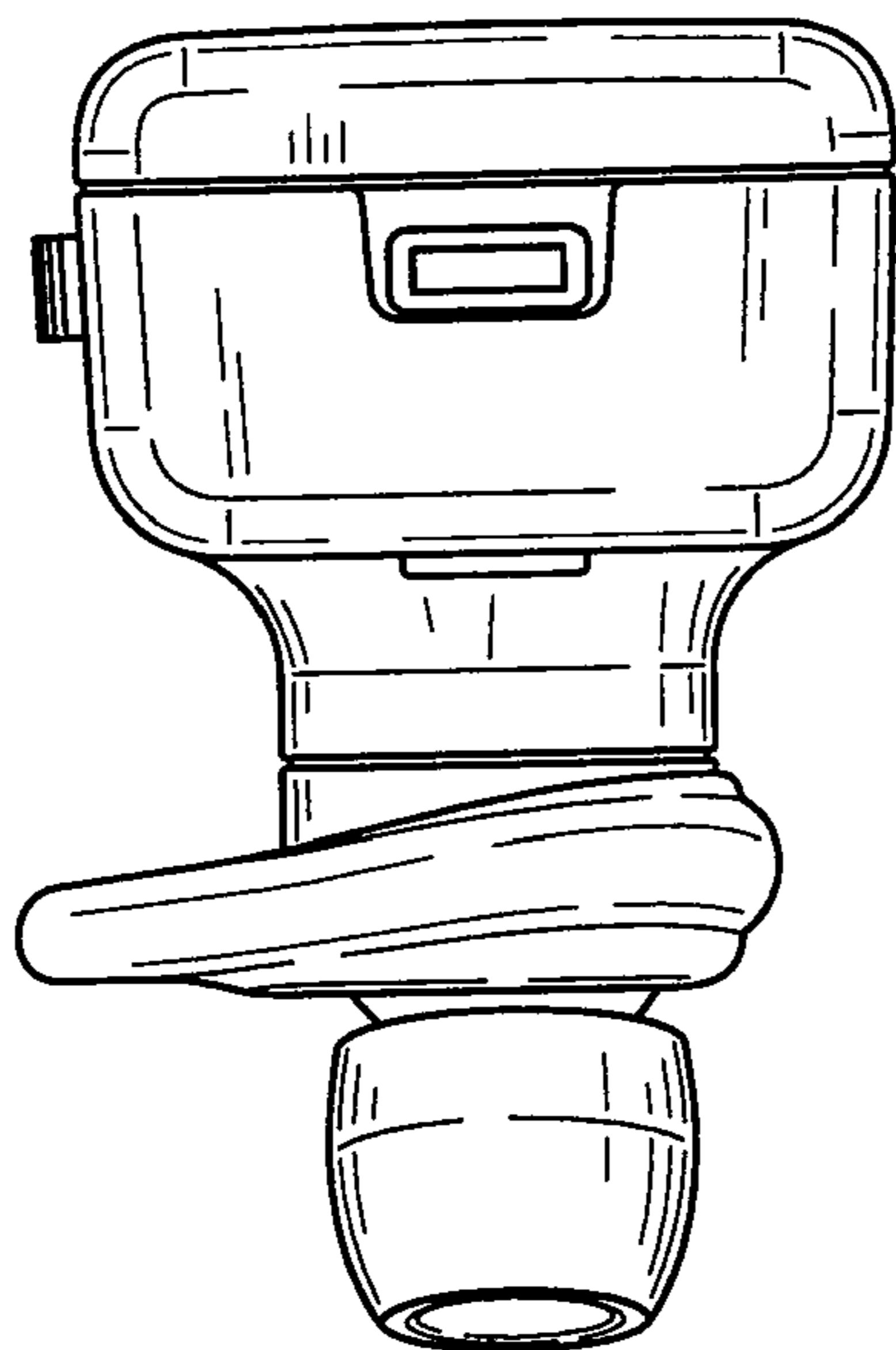


FIG. 7

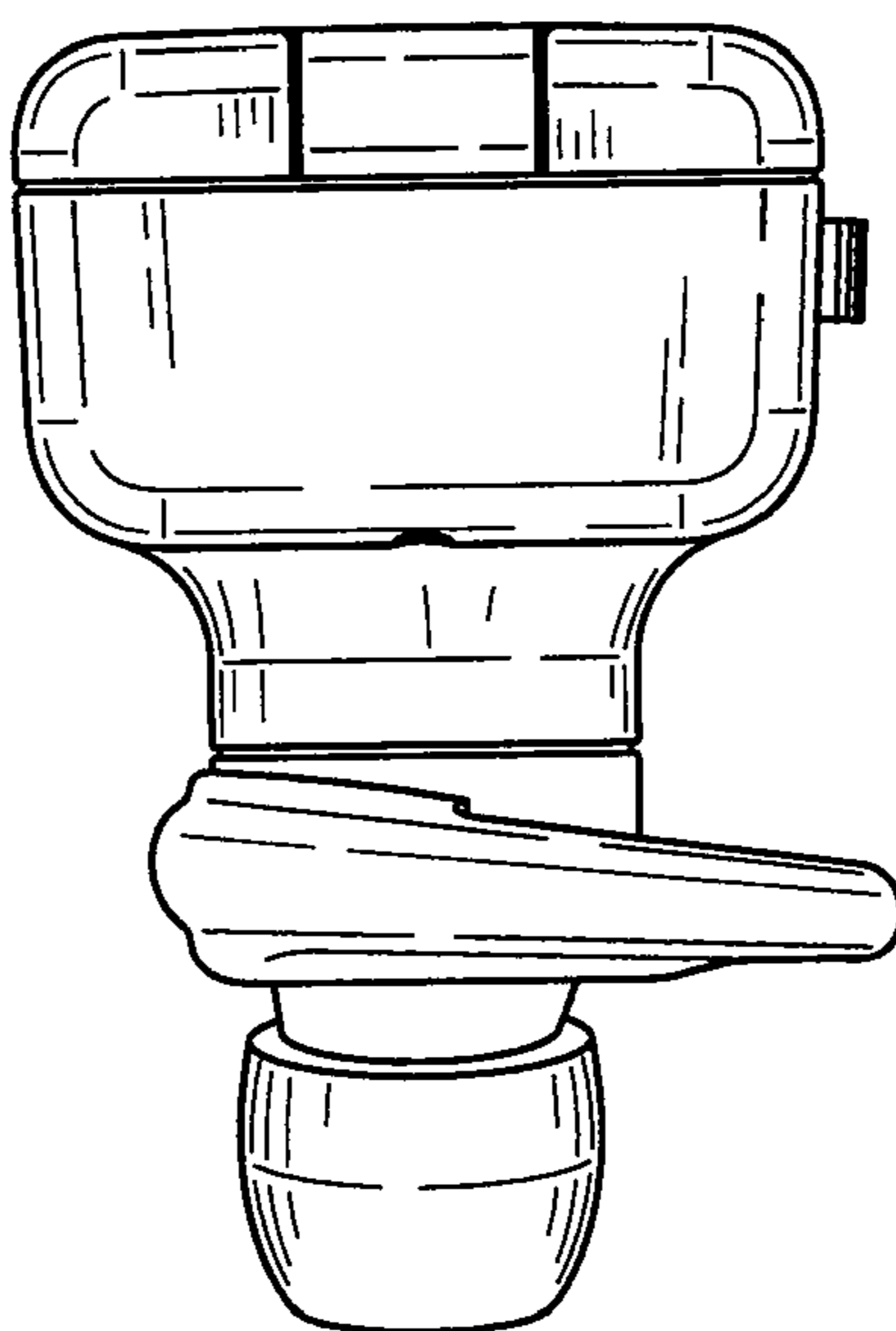


FIG. 8