



US00D576608S

(12) **United States Design Patent**
Yu

(10) **Patent No.:** **US D576,608 S**
(45) **Date of Patent:** **** Sep. 9, 2008**

(54) **HEADSET ARTICLE FOR ELECTRONIC DEVICE**

7,131,214 B1 * 11/2006 Blackman et al. 33/761
D548,960 S * 8/2007 Tages et al. D3/218

* cited by examiner

(76) Inventor: **Philjong Yu**, Yeongtong-Dong,
Yeongtong-Gu, Byukjeokgol Jugon Apt
835-604, Suwon City, Kyunggi-Do (KR)

Primary Examiner—Paula A Greene
(74) *Attorney, Agent, or Firm*—IPLA P.A.; James E. Bame

(**) Term: **14 Years**

(57) **CLAIM**

(21) Appl. No.: **29/282,389**

The ornamental design for a headset article for electronic device, as shown and described.

(22) Filed: **Jul. 18, 2007**

DESCRIPTION

(51) **LOC (8) Cl.** **14-99**

FIG. 1 is a perspective view of a headset article for electronic device showing my new design according to a first embodiment;

(52) **U.S. Cl.** **D14/217; D14/205**

FIG. 2 is another perspective view of the headset article;

(58) **Field of Classification Search** D14/191,
D14/192, 217, 224, 229, 251, 299; D3/218;
24/3.1, 3.11, 3.12, 594.1, 595.1; 33/761;
224/269, 271, 669; 242/195-199, 242, 269,
242/379; 361/814; 379/455, 446

FIG. 3 is a front elevational view of FIG. 1;

FIG. 4 is a left side elevational view of FIG. 1;

FIG. 5 is a right side elevational view of FIG. 1;

See application file for complete search history.

FIG. 6 is a top plan view of FIG. 1;

(56) **References Cited**

FIG. 7 is a perspective view of a headset article for electronic device showing my new design according to a second embodiment;

U.S. PATENT DOCUMENTS

4,269,338	A *	5/1981	Sichel	224/242
D264,080	S *	4/1982	Iwata	D14/191
4,956,895	A *	9/1990	Hayasaka	24/3.11
D348,775	S *	7/1994	Scheid	D3/218
5,803,323	A *	9/1998	Hayashi et al.	224/241
6,098,859	A *	8/2000	Bortner	224/272
6,149,043	A *	11/2000	Goto	224/669
D451,496	S *	12/2001	Leon et al.	D14/217
6,457,616	B2 *	10/2002	Gagne	224/148.4
D478,418	S *	8/2003	Badillo et al.	D3/218
7,110,802	B1 *	9/2006	Kim et al.	455/575.6

FIG. 8 is another perspective view of a headset article according to the second embodiment;

FIG. 9 is a front elevational view of FIG. 7;

FIG. 10 is a left side elevational view of FIG. 7;

FIG. 11 is a right side elevational view of FIG. 7; and,

FIG. 12 is a top plan view of FIG. 7.

The broken line showing of environment is for illustrative purposes only and forms no part of the claimed design.

1 Claim, 12 Drawing Sheets

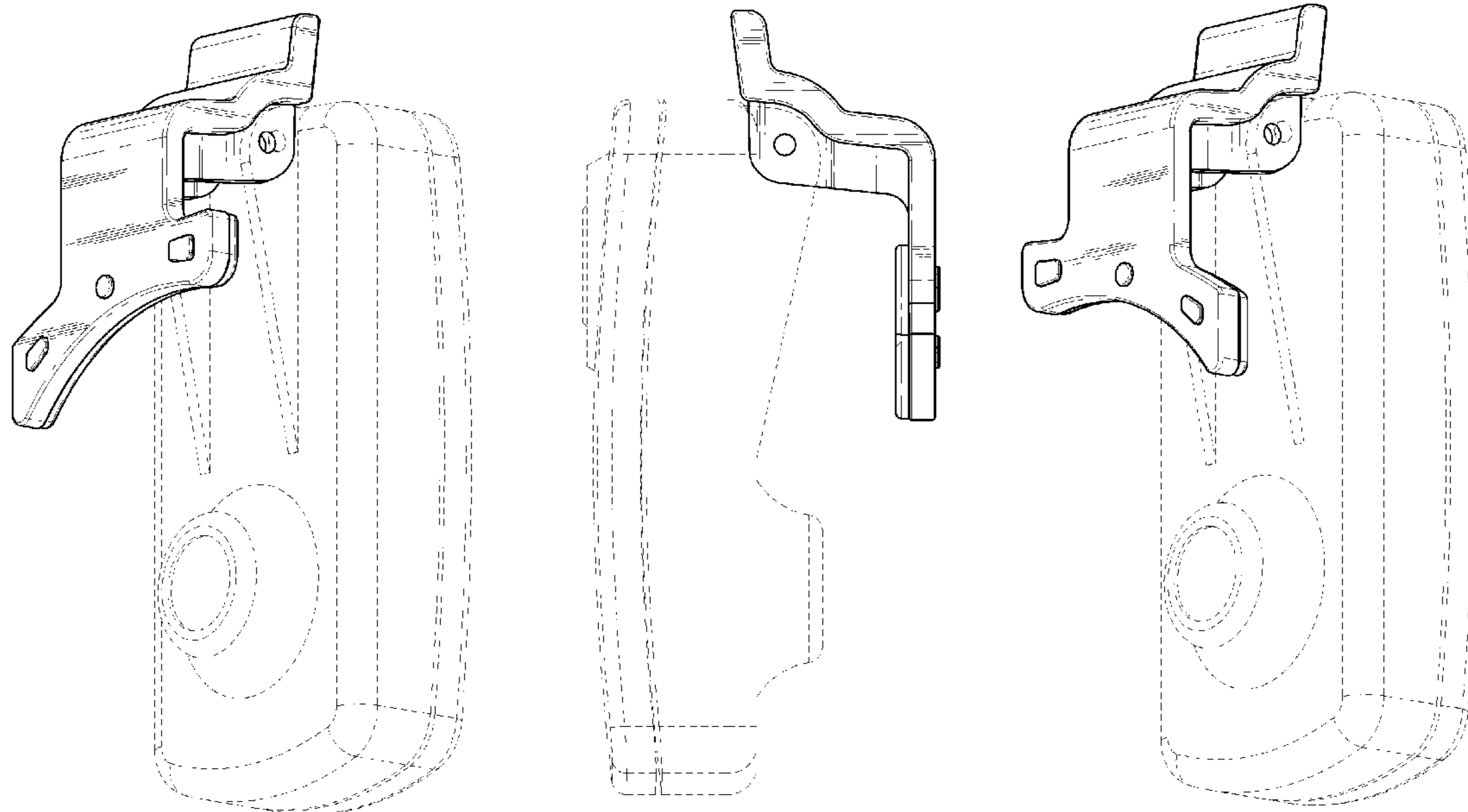


FIG. 1

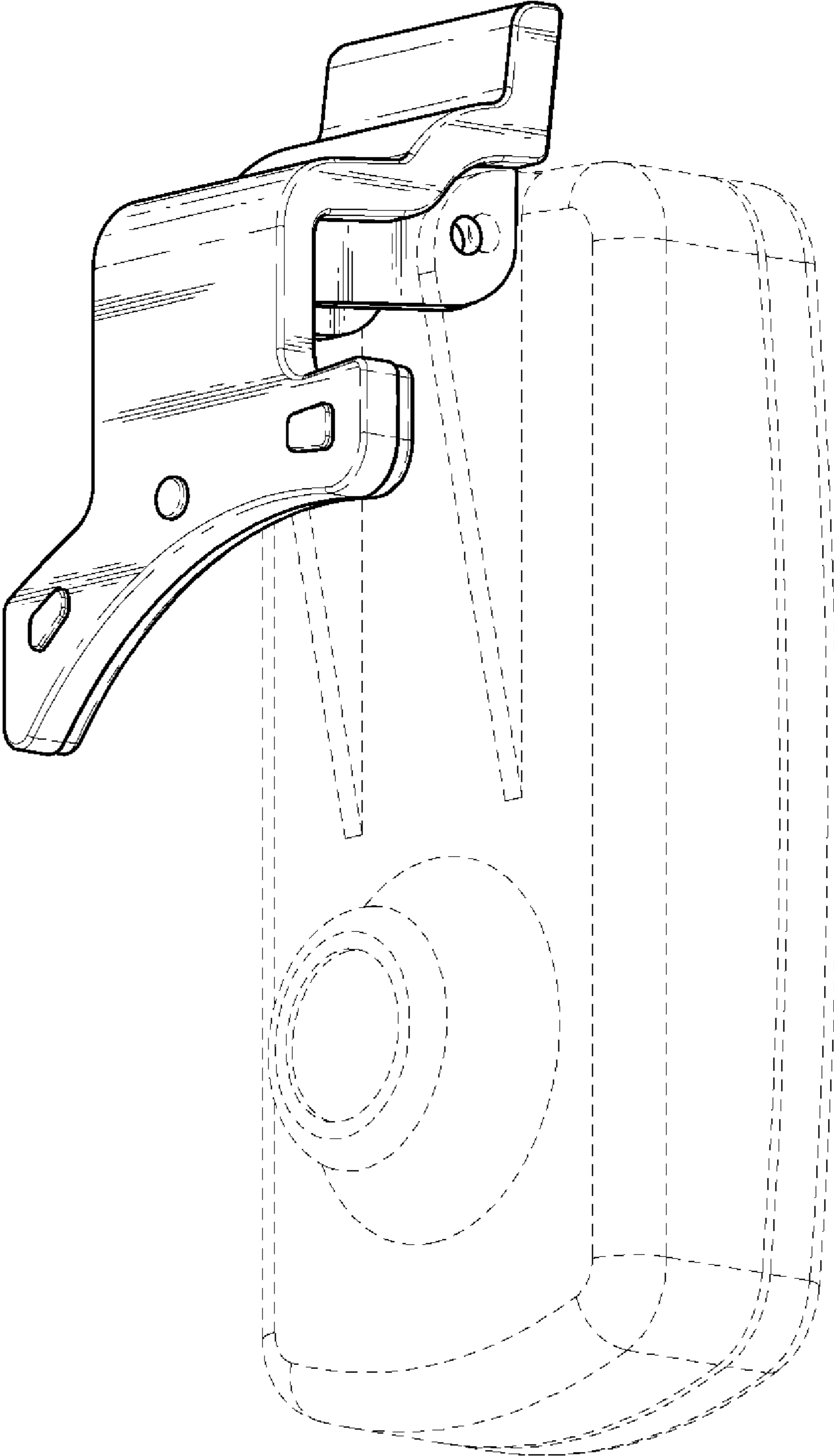


FIG. 2

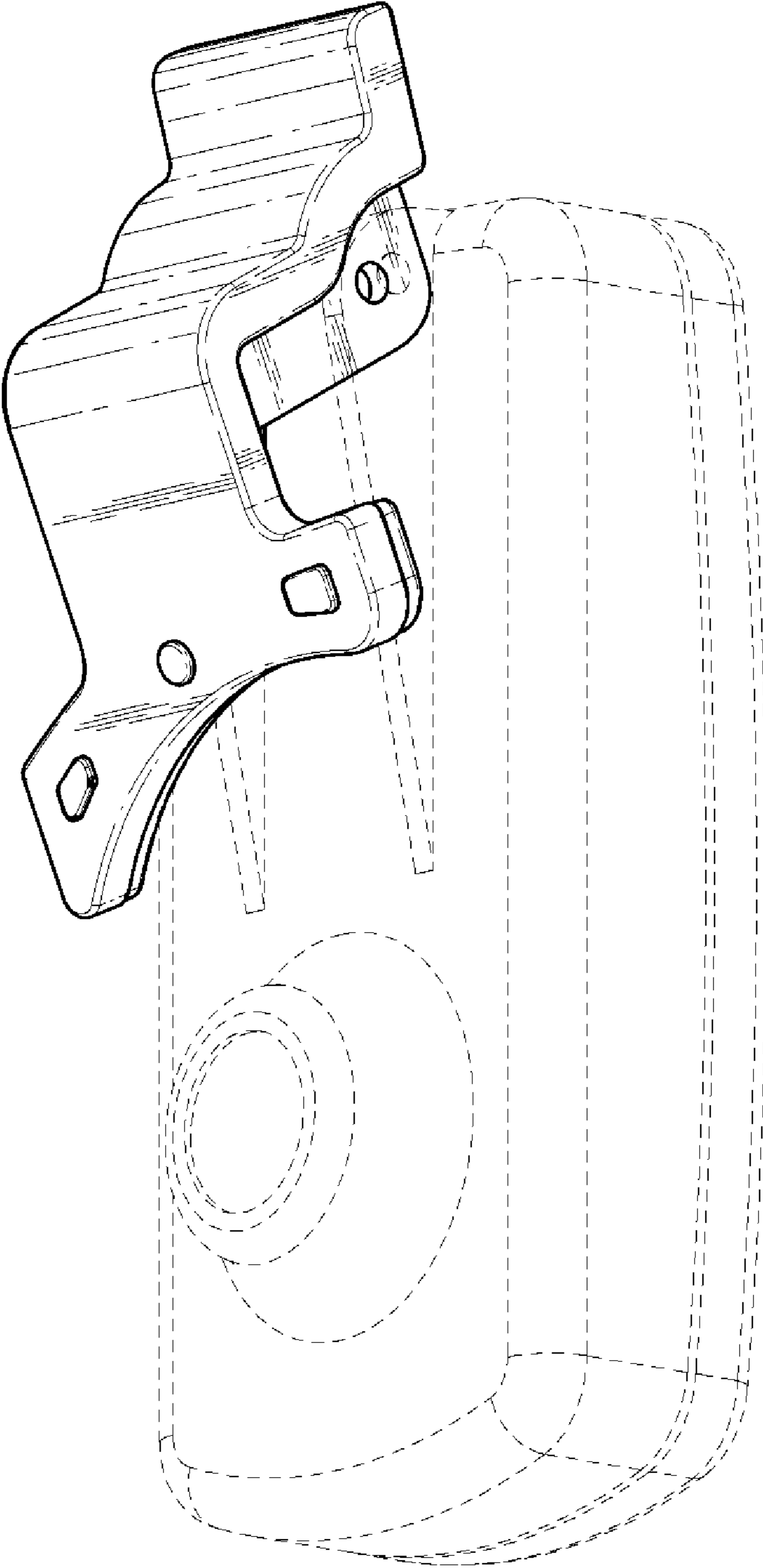


FIG. 3

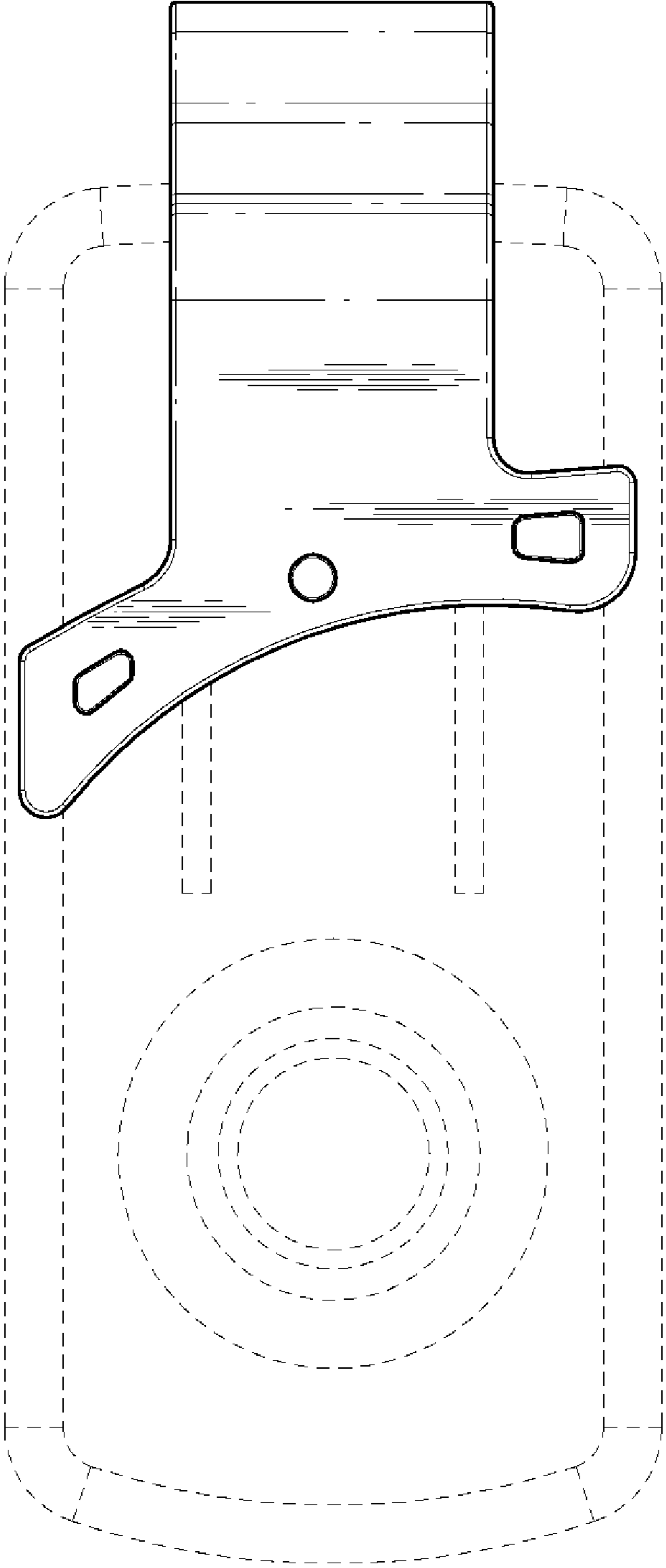


FIG. 4

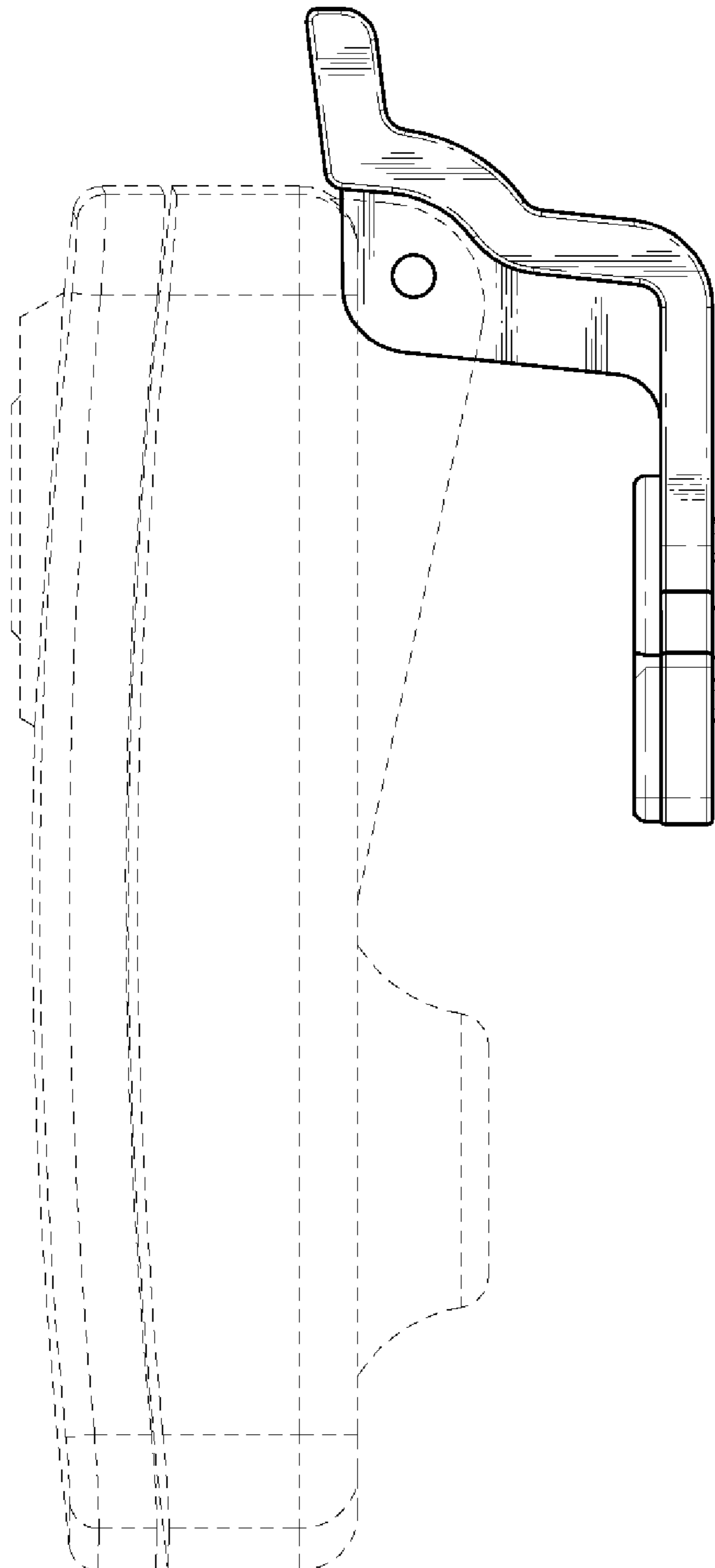


FIG. 5

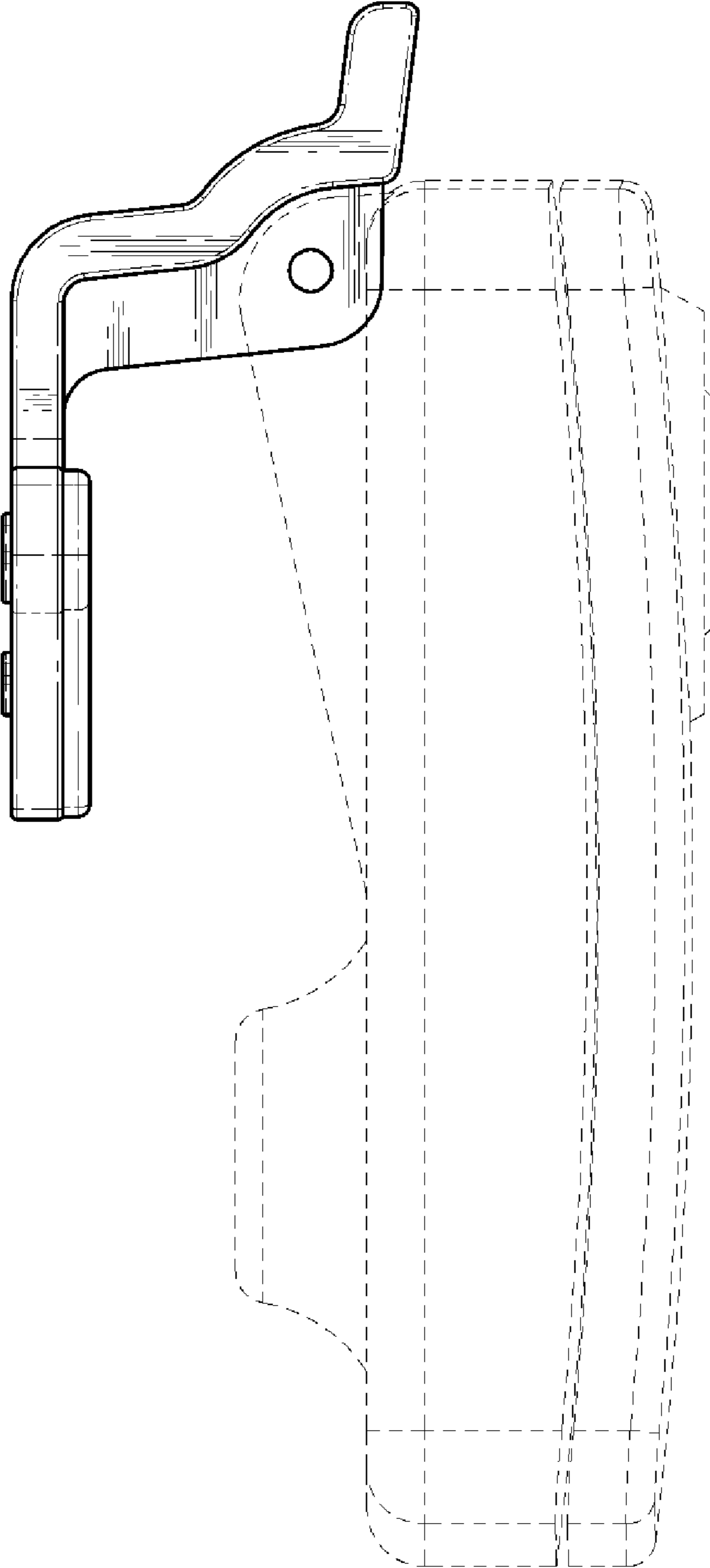


FIG. 6

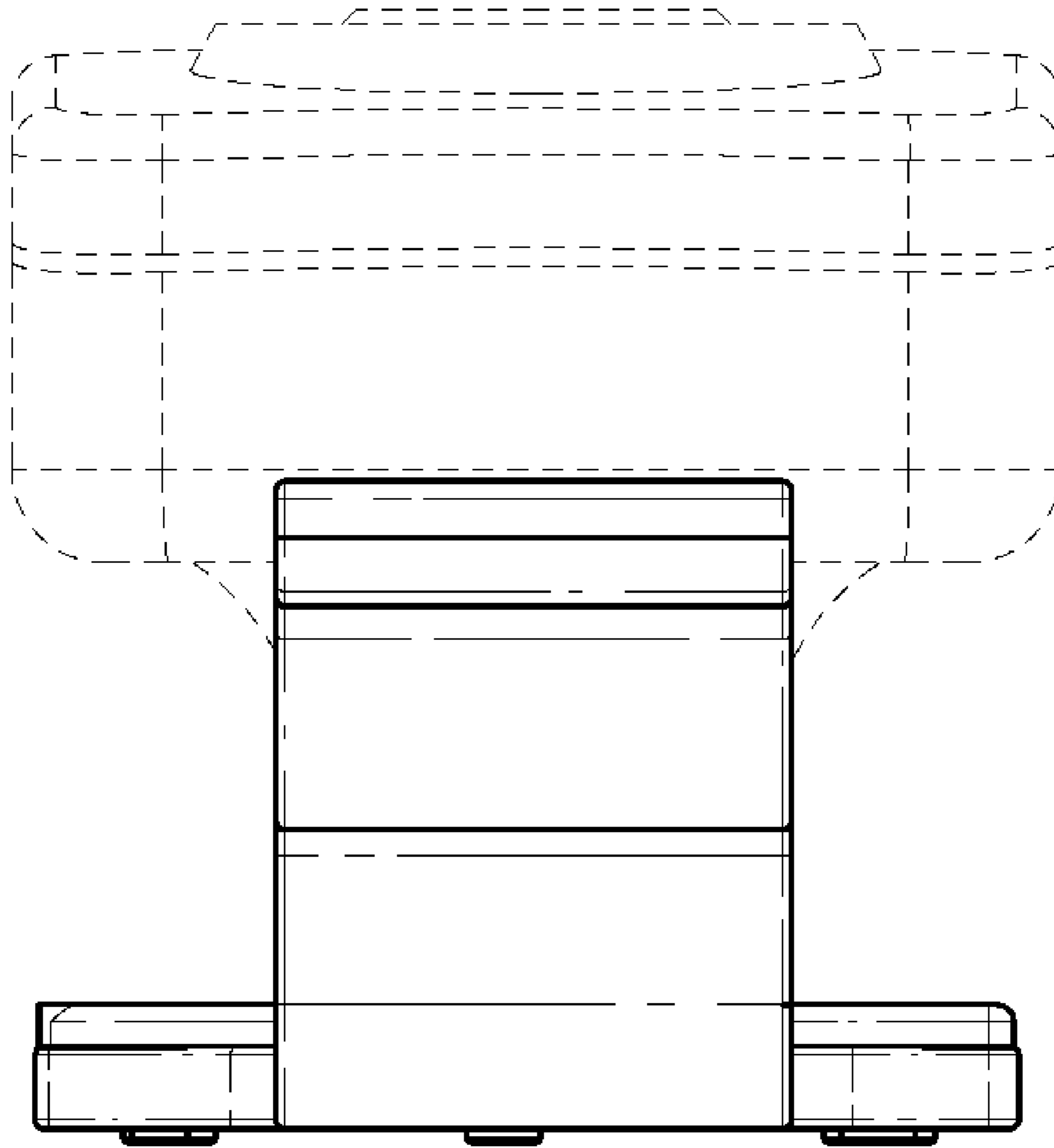


FIG. 7

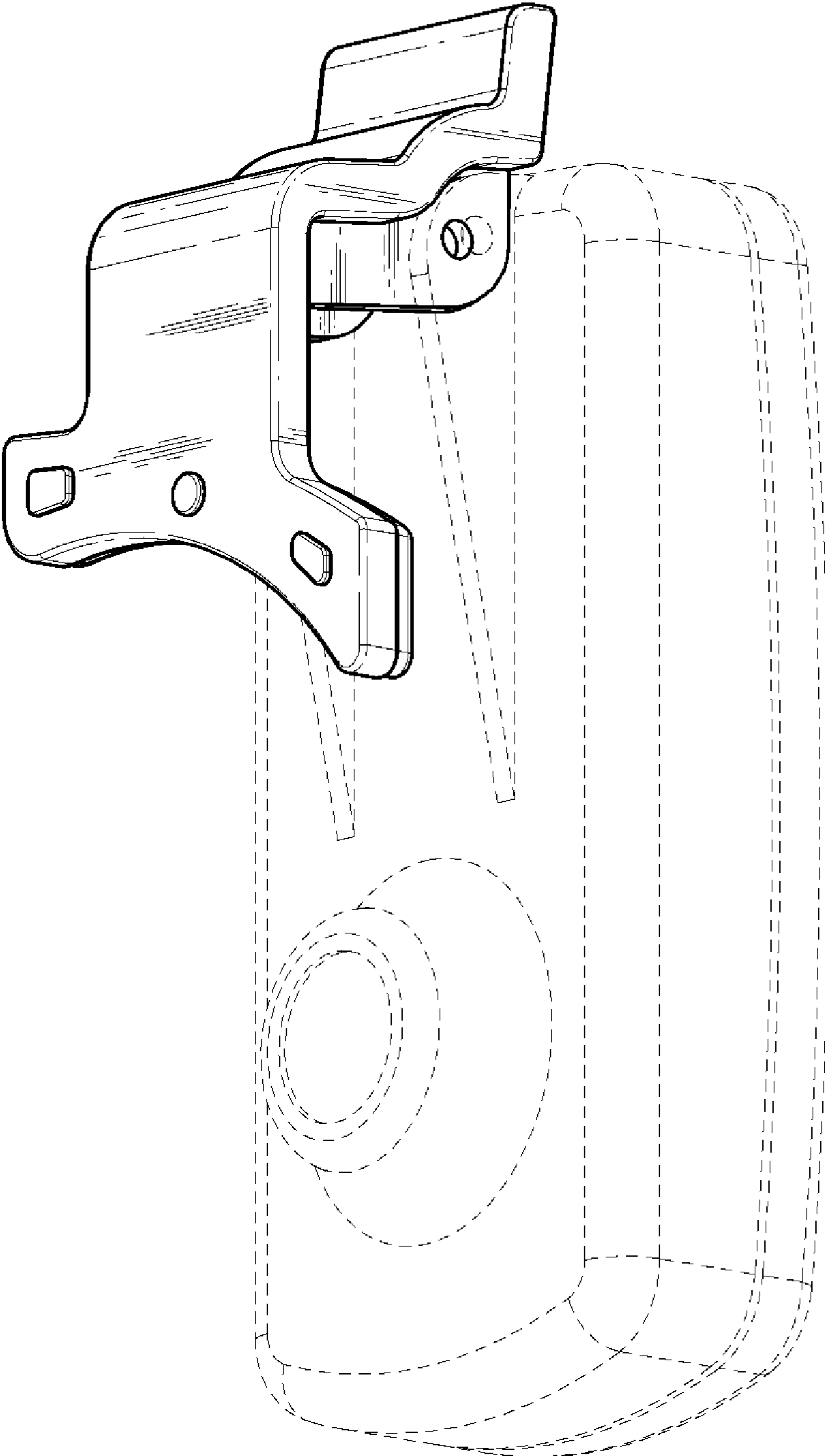


FIG. 8

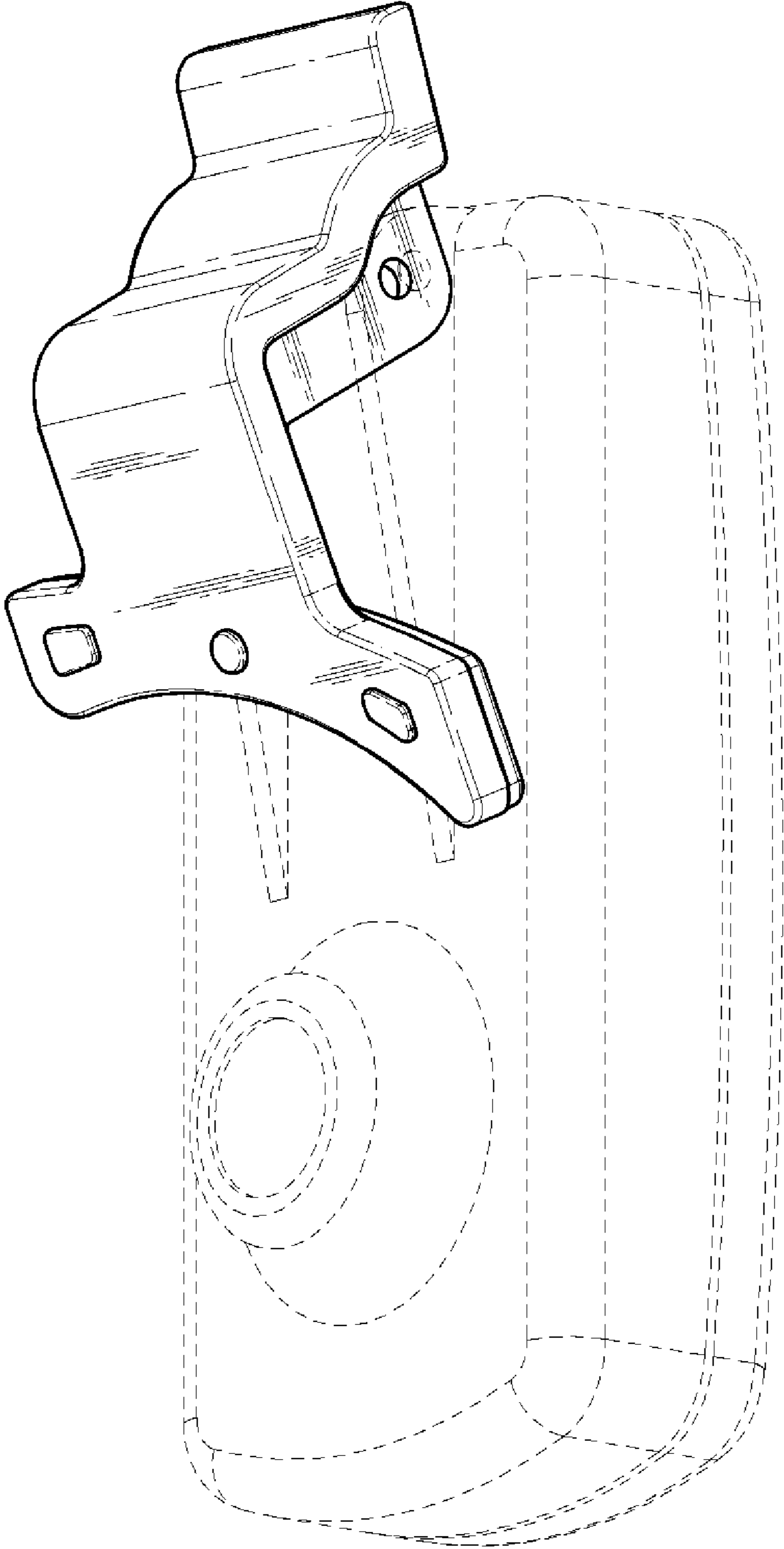


FIG. 9

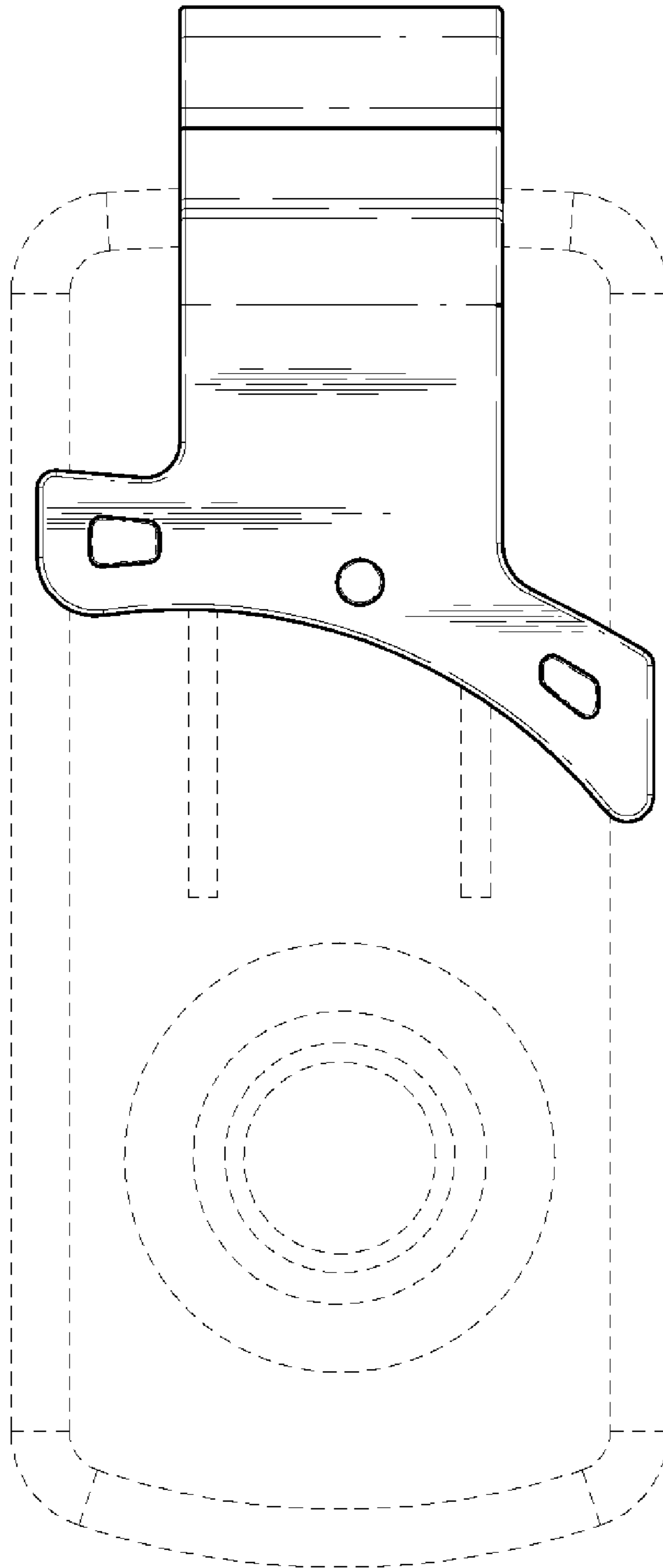


FIG. 10

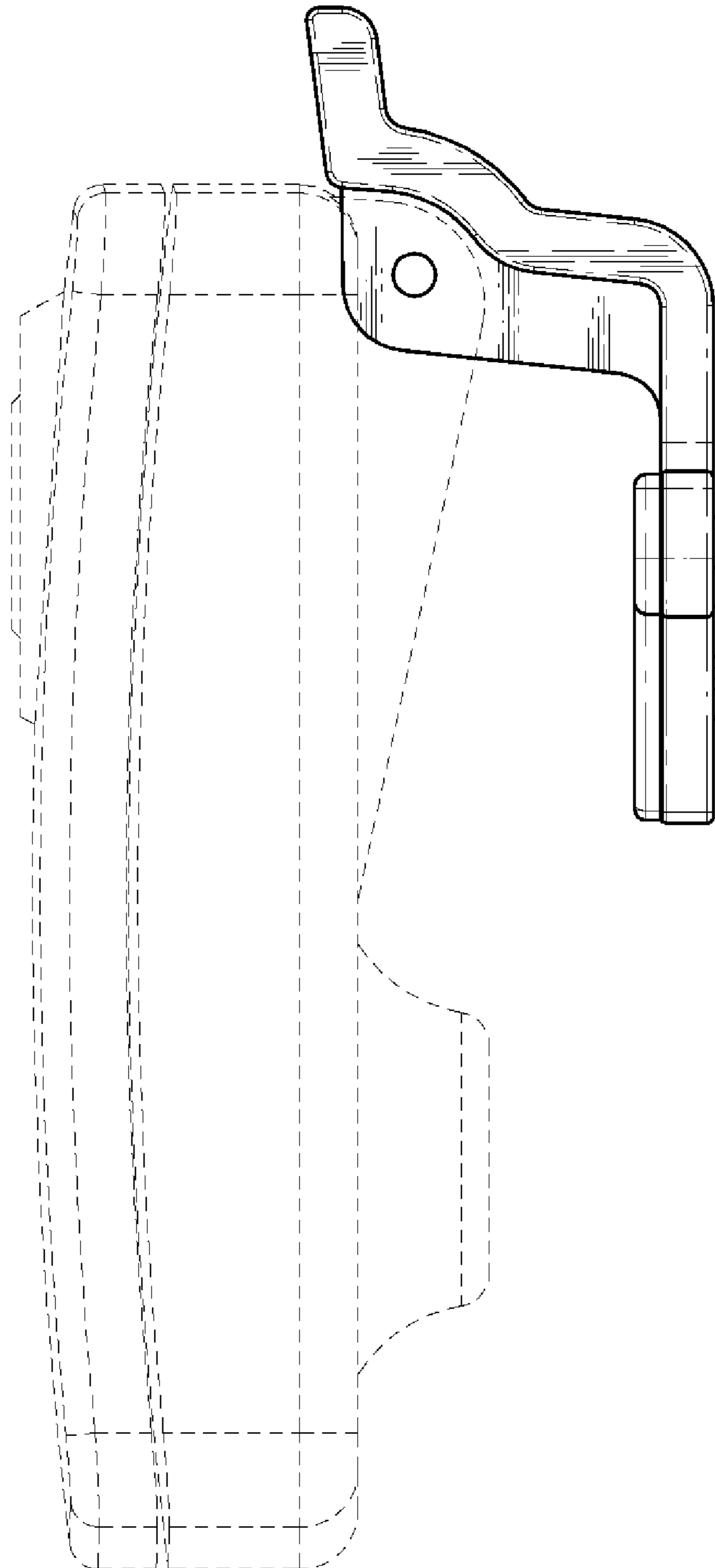


FIG. 11

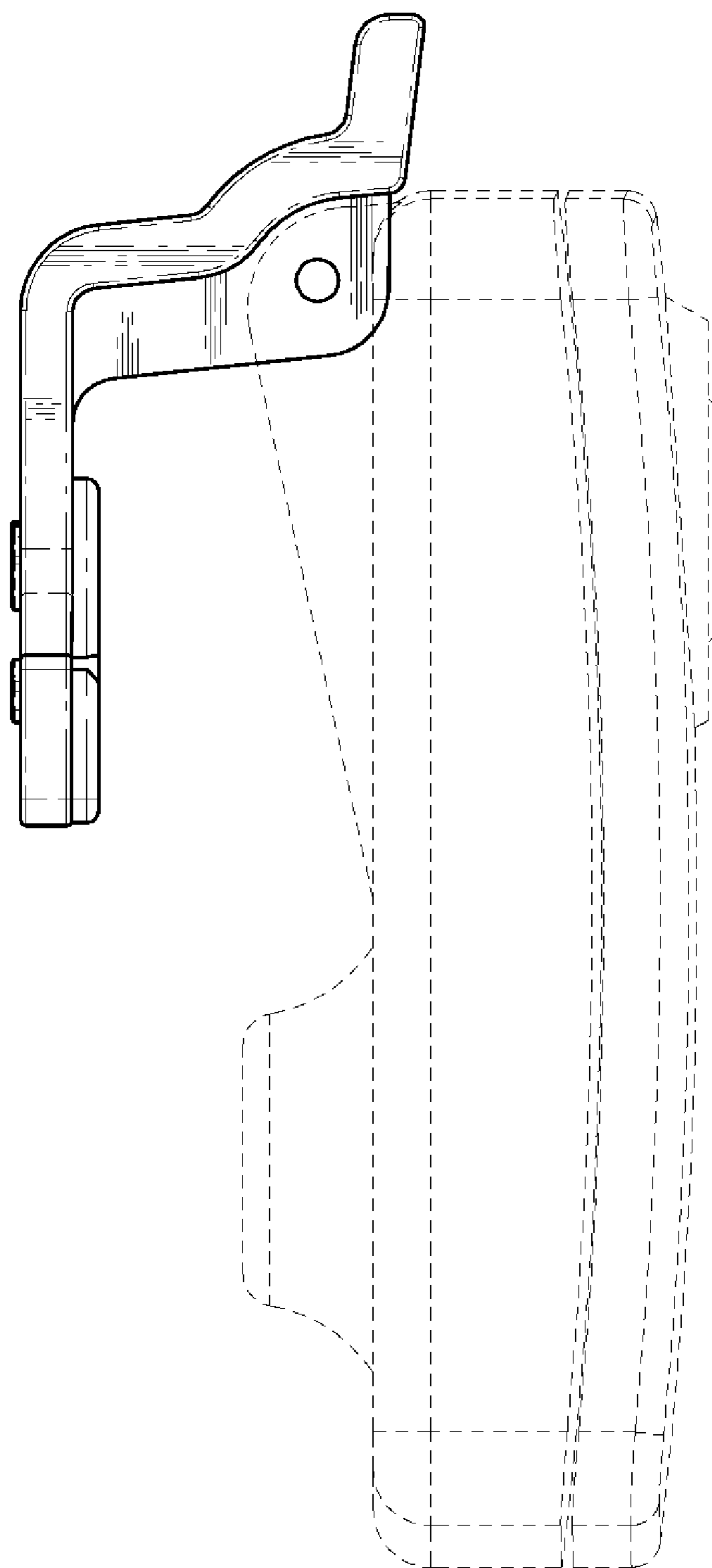


FIG. 12

