



US00D576607S

(12) **United States Design Patent**
Barrios et al.

(10) **Patent No.:** **US D576,607 S**
(45) **Date of Patent:** **** Sep. 9, 2008**

(54) **LOUDSPEAKER PORT HANDLE**

5,927,836 A * 7/1999 Herr et al. 312/244
D442,846 S * 5/2001 Bastian D8/313
D488,991 S * 4/2004 Bertani D8/313

(75) Inventors: **Lorenzo Barrios**, Covina, CA (US);
Yasushi Shimabukuro, Mission Viejo,
CA (US)

* cited by examiner

(73) Assignee: **QSC Audio Products, Inc.**, Costa Mesa,
CA (US)

Primary Examiner—Nanda Bondade
(74) *Attorney, Agent, or Firm*—Crowell & Moring LLP

(**) Term: **14 Years**

(57) **CLAIM**

(21) Appl. No.: **29/271,242**

The ornamental design for a loudspeaker port handle, as shown and described.

(22) Filed: **Jan. 12, 2007**

(51) **LOC (8) Cl.** **14-01**

DESCRIPTION

(52) **U.S. Cl.** **D14/217; D8/300**

(58) **Field of Classification Search** D14/204,
D14/209–217, 220–222, 224, 299; D8/300–302,
D8/313, 317; 181/143–148, 150, 157, 198–199,
181/151, 153; 381/300–302, 306, 333, 345,
381/361–364, 386–388, 332, 336; 312/244;
16/443

FIG. 1 is a perspective view of a loudspeaker port handle according to my design;

FIG. 2 is a top view thereof;

FIG. 3 is a cross sectional view taken along the lines 3—3 on FIG. 4;

FIG. 4 is a front elevational view thereof;

FIG. 5 is a rear elevational view thereof; and,

FIG. 6 is a bottom elevational view thereof.

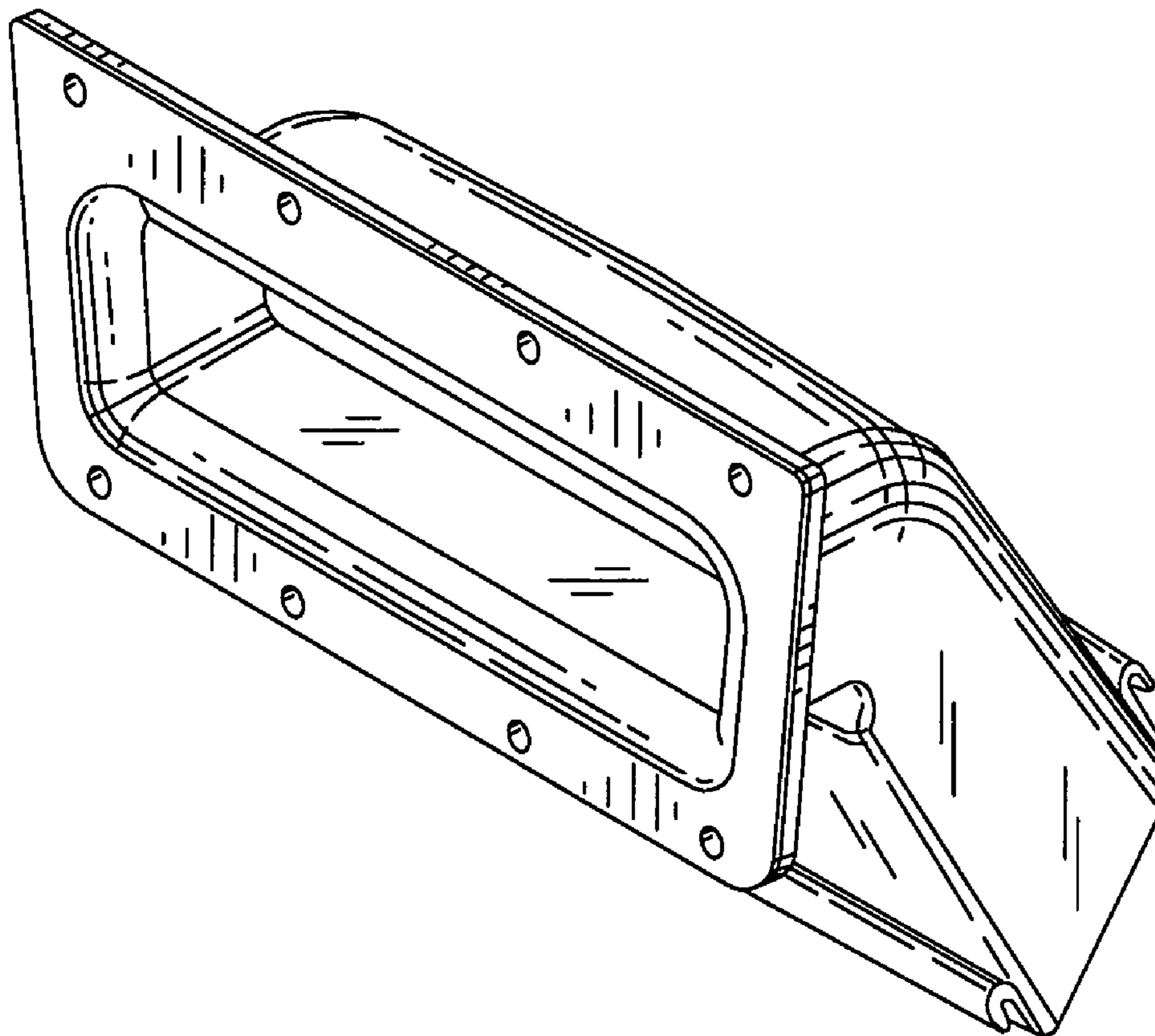
See application file for complete search history.

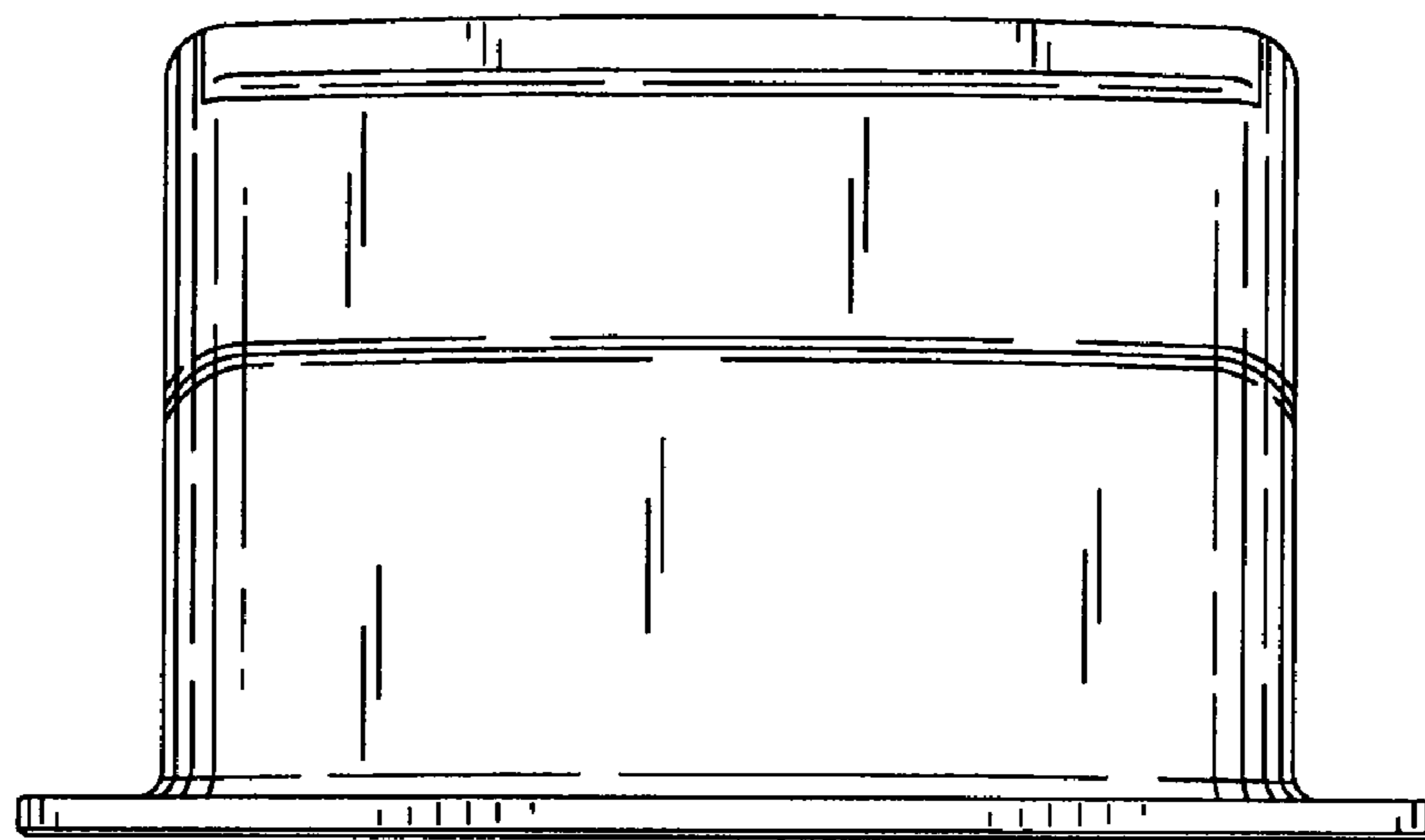
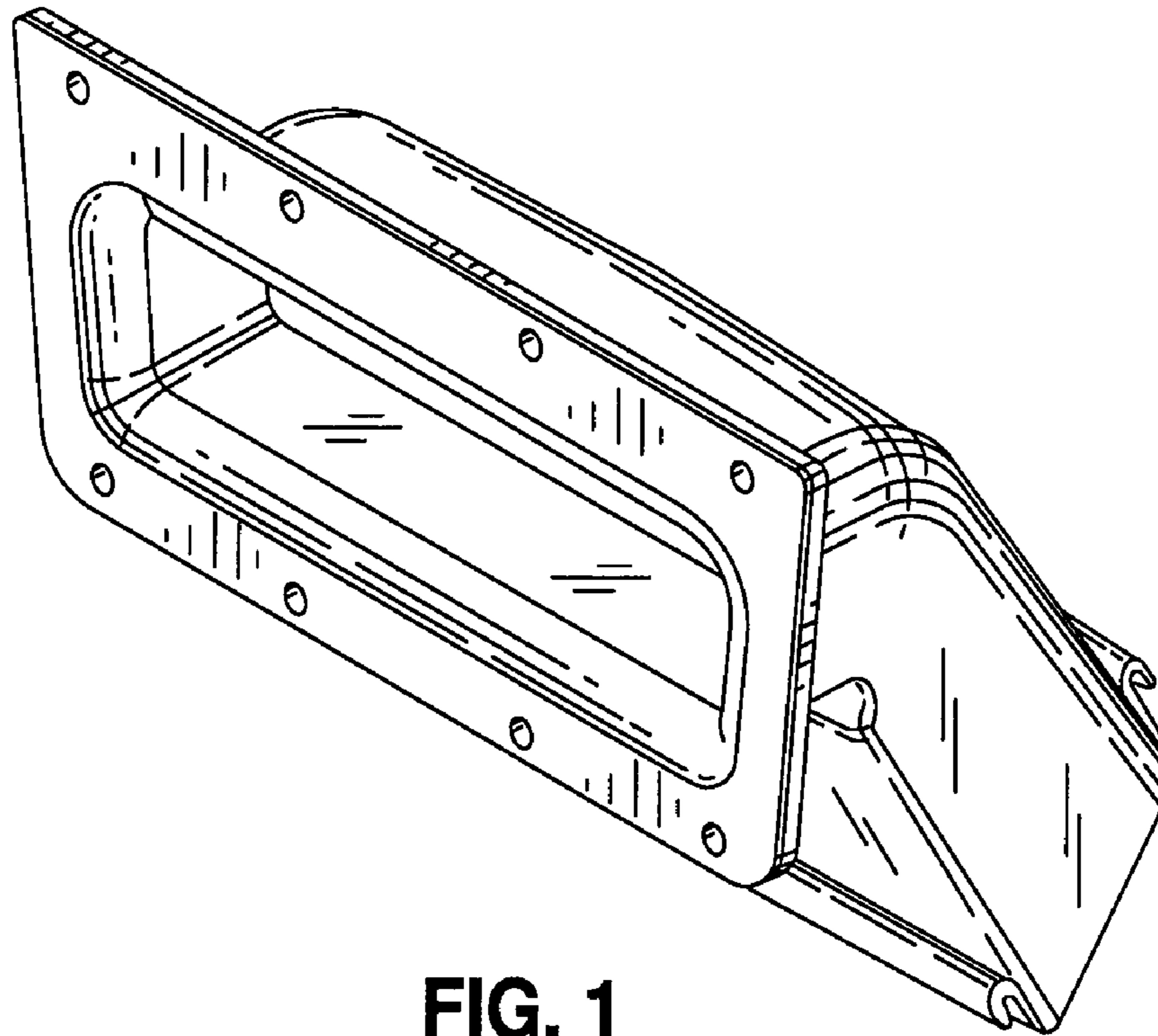
(56) **References Cited**

U.S. PATENT DOCUMENTS

5,134,754 A * 8/1992 Vickers 16/416

1 Claim, 3 Drawing Sheets





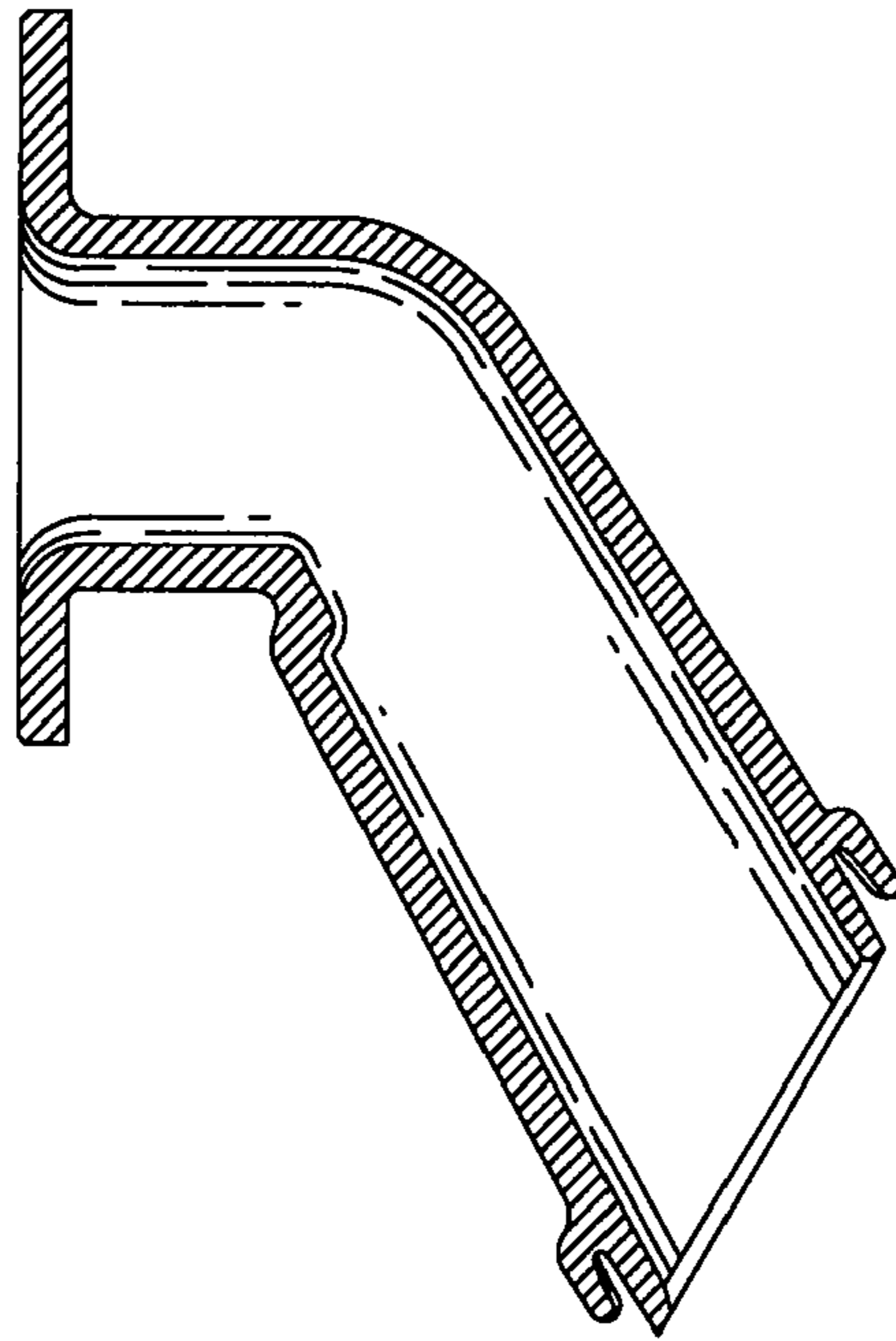


FIG. 3

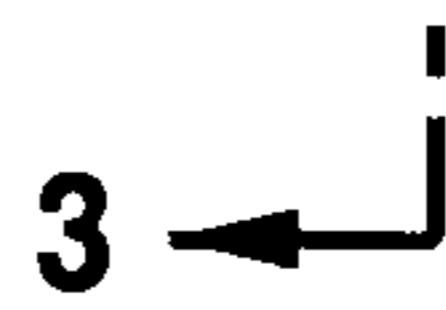
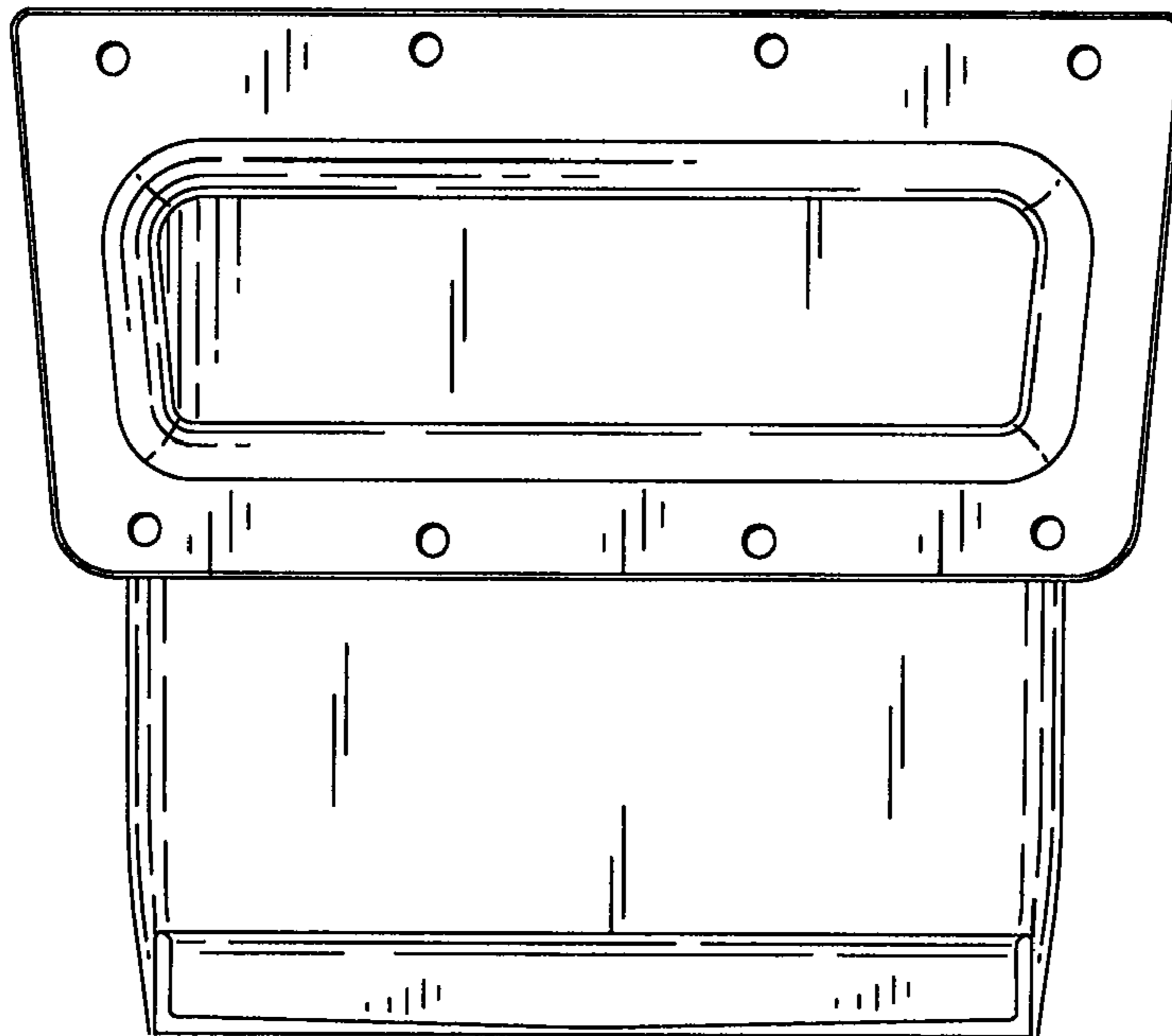
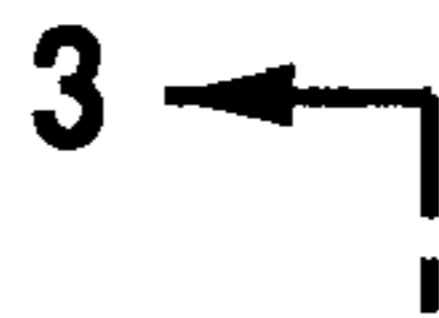


FIG. 4

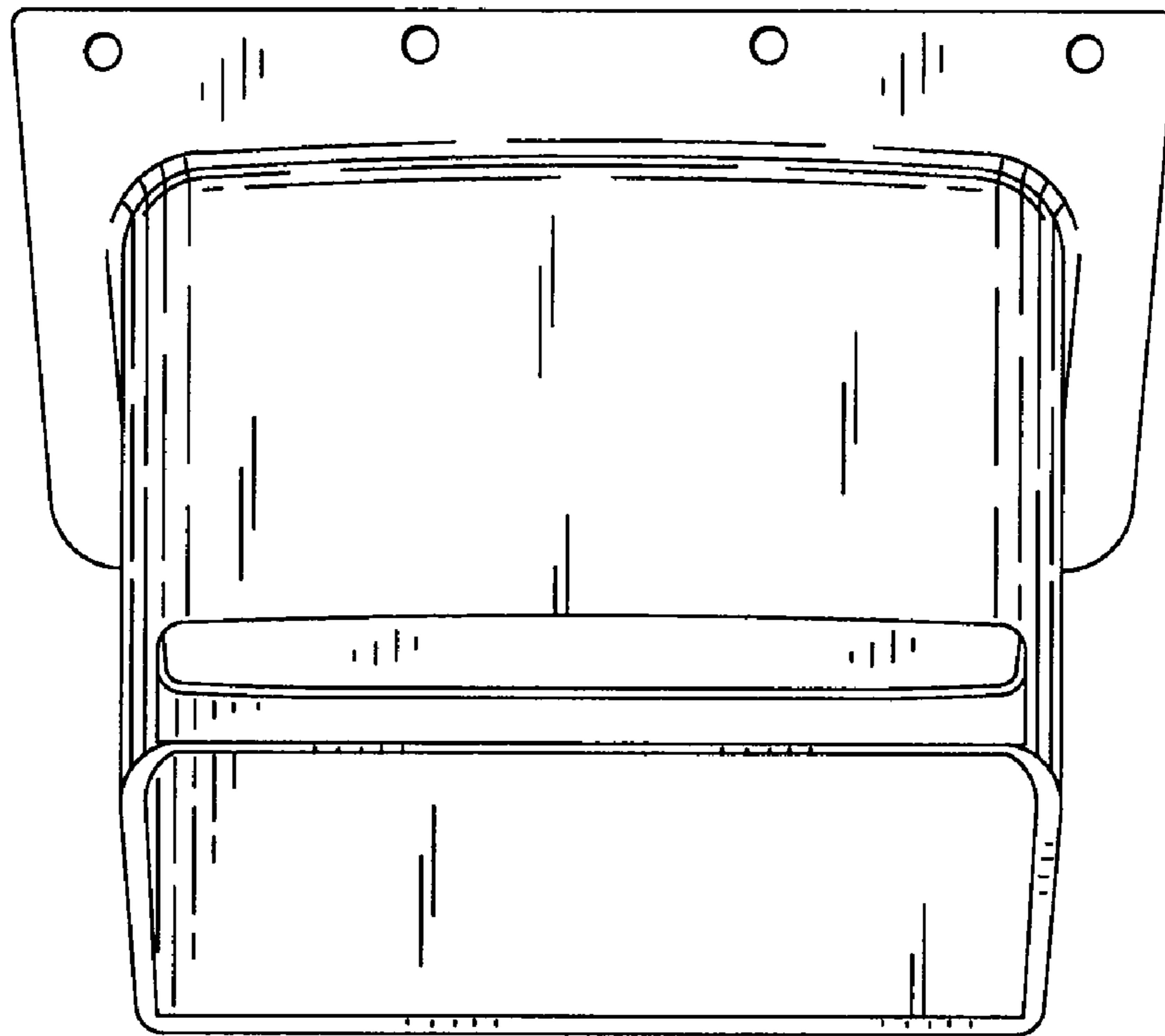


FIG. 5

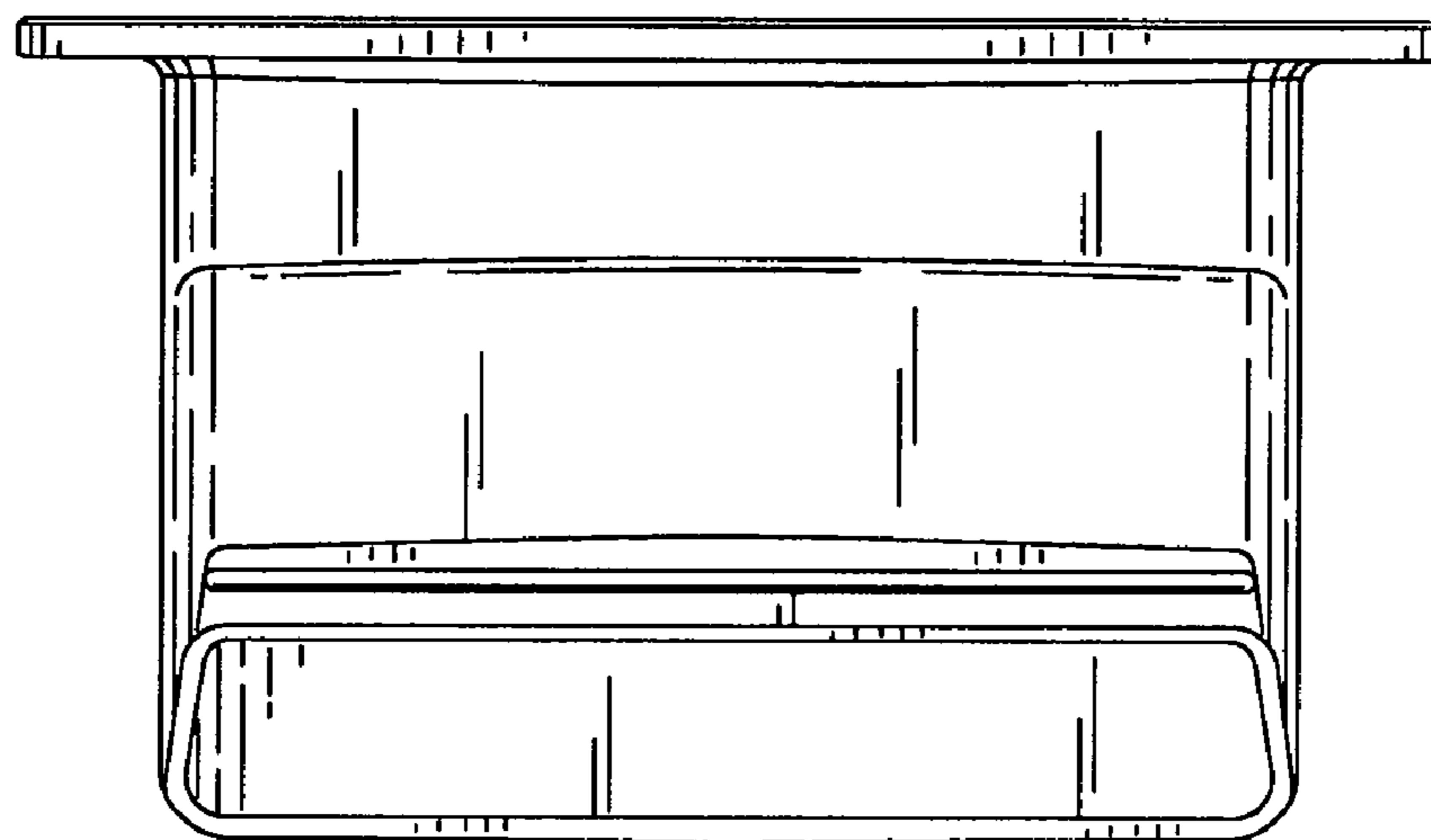


FIG. 6