



US00D576606S

(12) **United States Design Patent**
Sanguinetti

(10) **Patent No.:** **US D576,606 S**

(45) **Date of Patent:** **** Sep. 9, 2008**

(54) **LOUDSPEAKER**

D501,194 S * 1/2005 Kaestner et al. D14/171
D552,080 S * 10/2007 Langberg et al. D14/214

(75) Inventor: **Alejandro Sanguinetti**, Helsinki (FI)

* cited by examiner

(73) Assignee: **Nokia Corporation**, Espoo (FI)

Primary Examiner—Nanda Bondade

(**) Term: **14 Years**

(74) *Attorney, Agent, or Firm*—Banner & Witcoff, Ltd.

(21) Appl. No.: **29/283,232**

(57) **CLAIM**

(22) Filed: **Aug. 8, 2007**

The ornamental design for a loudspeaker, as shown and described.

(30) **Foreign Application Priority Data**

Feb. 9, 2007 (FI) M20070033

DESCRIPTION

(51) **LOC (8) Cl.** **14-01**

FIG. 1 is a front view of a loudspeaker showing my new design;

(52) **U.S. Cl.** **D14/214**

FIG. 2 is a perspective view thereof;

(58) **Field of Classification Search** D14/204,

D14/209–216, 162, 168, 172, 496, 171; 181/143–144,
181/147–148, 150, 157, 198–199, 151, 153;
381/300–302, 306, 333, 345, 361–364, 386–388,
381/332, 336

FIG. 3 is a bottom view thereof;

FIG. 4 is a top view thereof;

FIG. 5 is a right side view thereof; and,

FIG. 6 is a left side view thereof.

See application file for complete search history.

The broken line showing of the remainder of the loudspeaker in FIGS. 2 through 6 is for illustrative purposes only and forms no part of the claimed design.

(56) **References Cited**

U.S. PATENT DOCUMENTS

D430,135 S * 8/2000 Isonaga D14/168

1 Claim, 2 Drawing Sheets

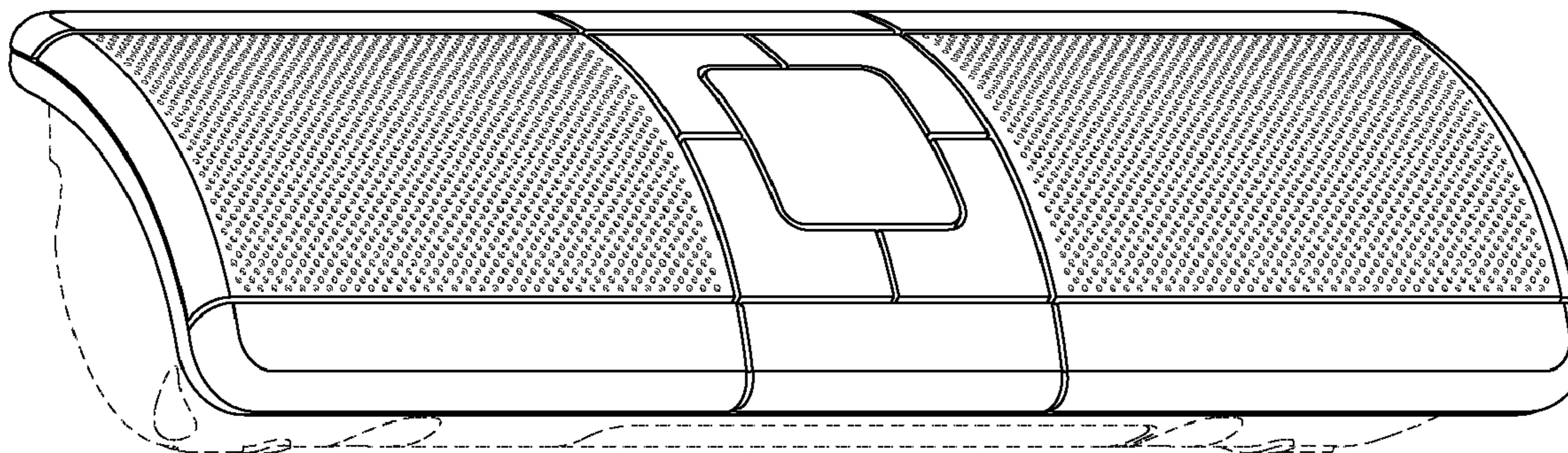


FIG. 1

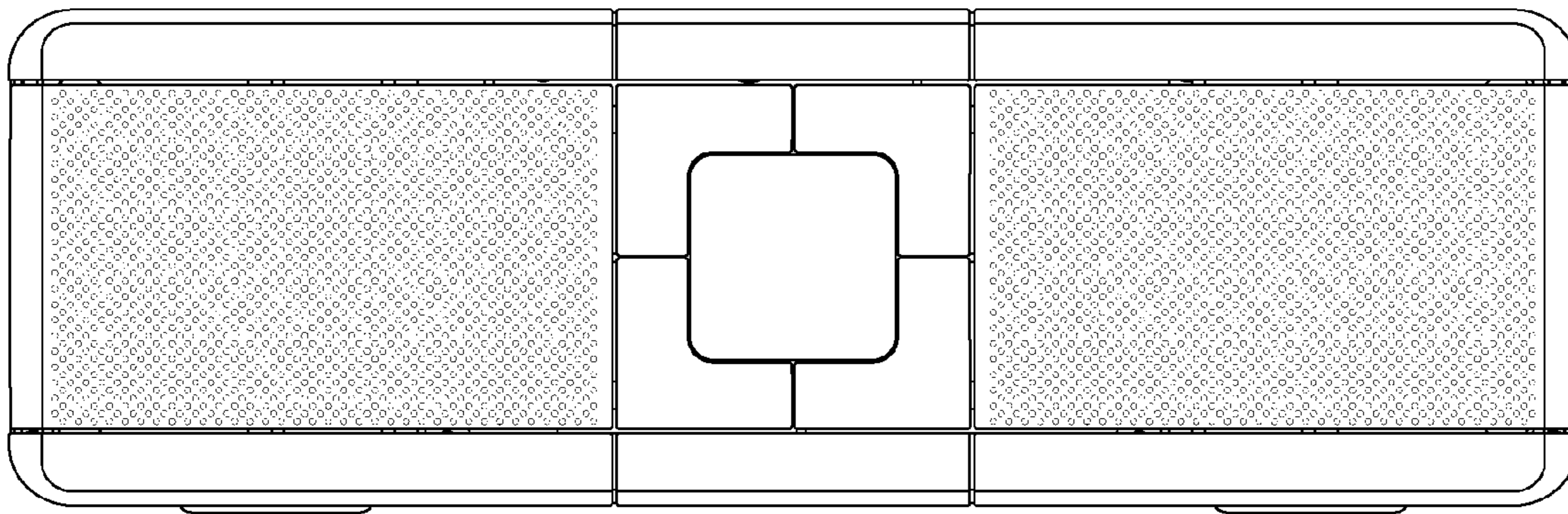


FIG. 2

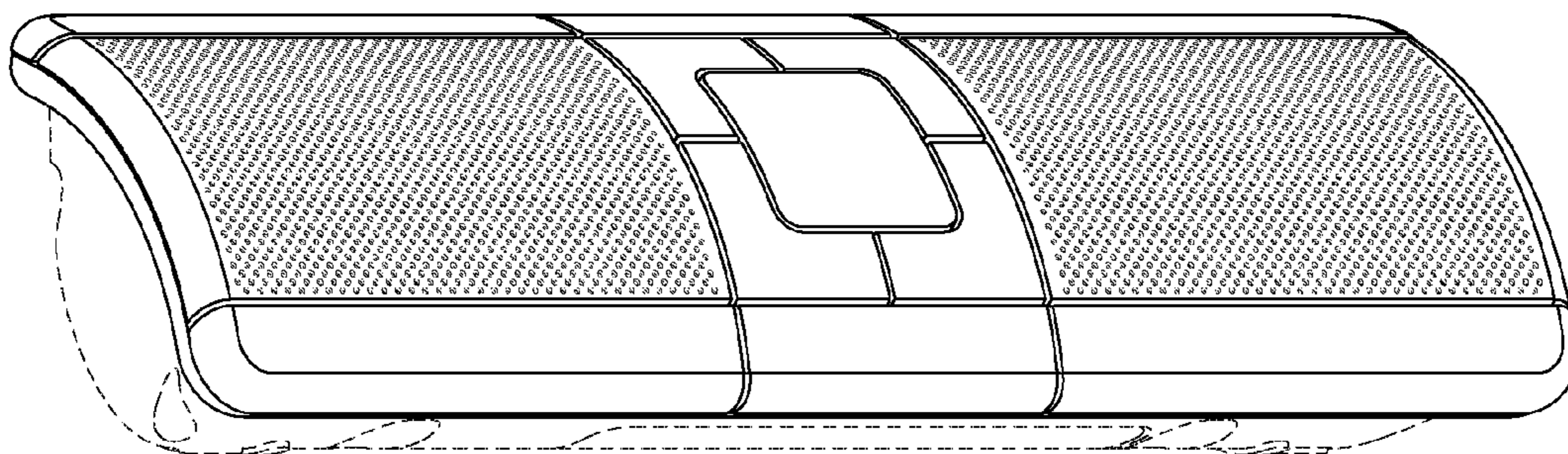


FIG. 3

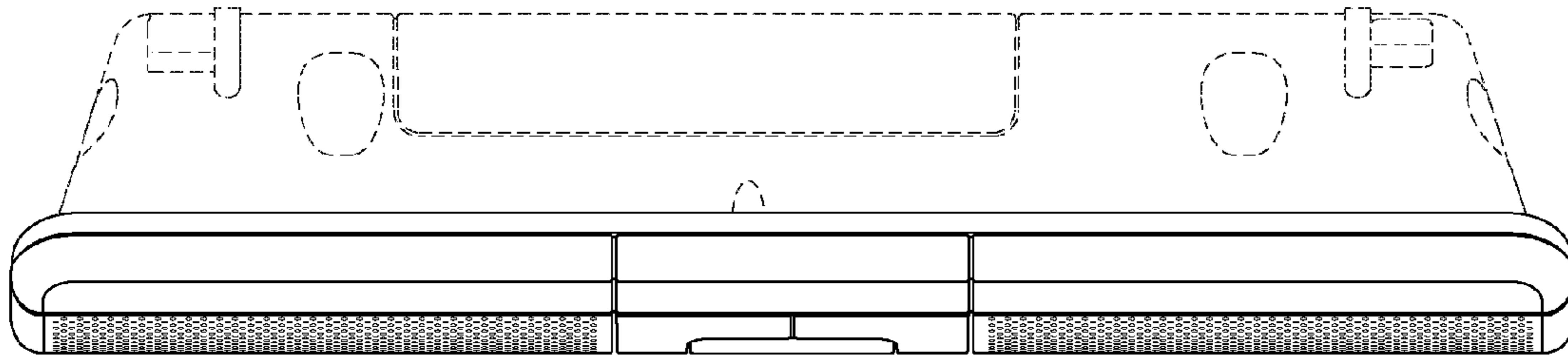


FIG. 4

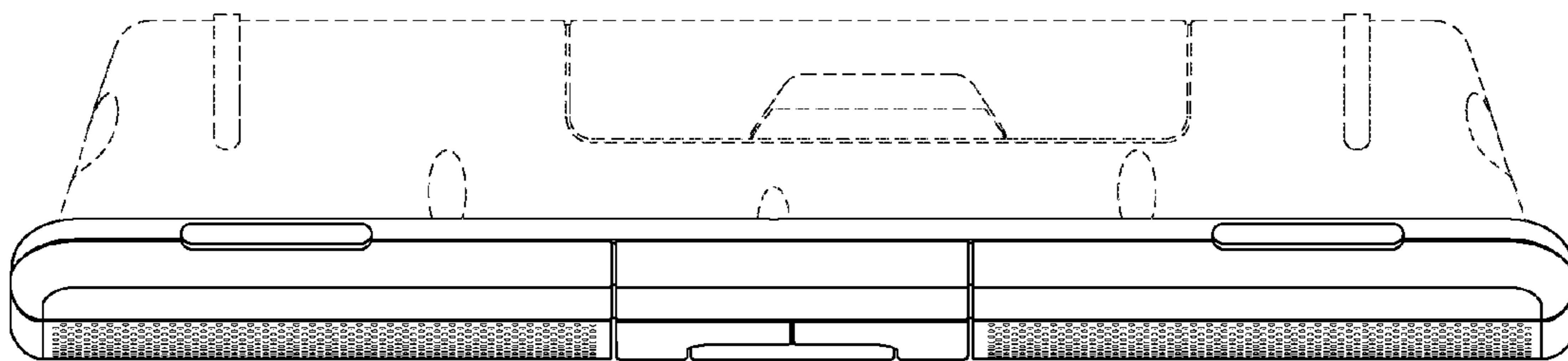


FIG. 5

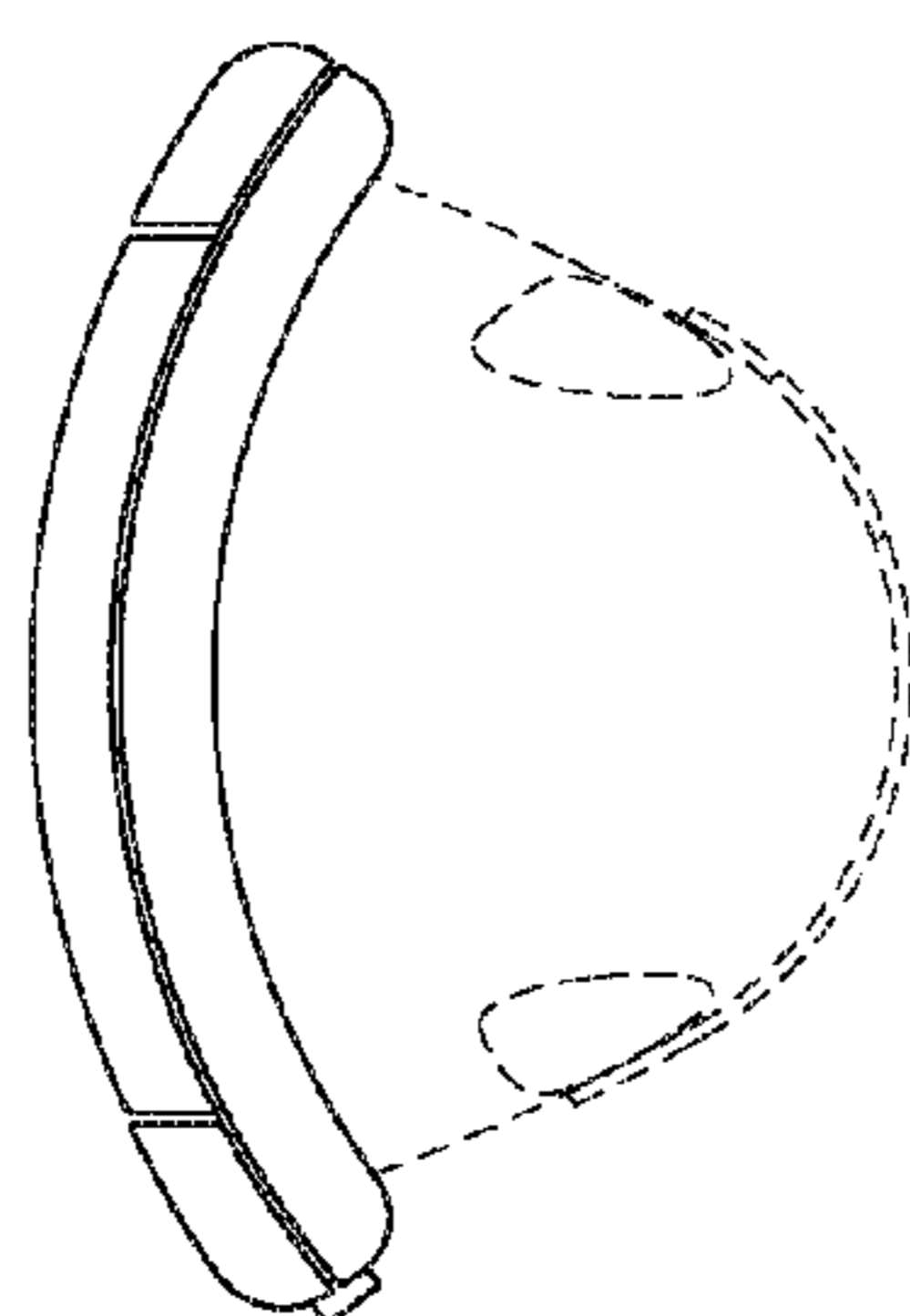


FIG. 6

