



US00D576605S

(12) **United States Design Patent**
Milks et al.

(10) **Patent No.:** **US D576,605 S**
(45) **Date of Patent:** **** Sep. 9, 2008**

(54) **SPEAKER SYSTEM FOR MEDIA PLAYER**

D440,220 S * 4/2001 Dunk et al. D14/211
D520,494 S * 5/2006 Aiba et al. D14/214

(75) Inventors: **Donald L. Milks**, Wantage, NJ (US);
David Farrage, Cliffside Park, NJ (US);
Steven Bellofatto, Closter, NJ (US);
Mario Turchi, Tenafly, NJ (US)

* cited by examiner

Primary Examiner—Nanda Bondade
(74) *Attorney, Agent, or Firm*—Greenberg Traurig LLP;
Richard E. Kurtz

(73) Assignee: **Altec Lansing, a division of**
Plantronics, Inc., Milford, PA (US)

(**) Term: **14 Years**

(57) **CLAIM**

(21) Appl. No.: **29/280,056**

The ornamental design for a speaker system for media player,
as shown and described.

(22) Filed: **May 15, 2007**

DESCRIPTION

(51) **LOC (8) Cl.** **14-01**

(52) **U.S. Cl.** **D14/214**

(58) **Field of Classification Search** D14/204,
D14/207, 210–216, 172; 181/143–144, 147–148,
181/150–153, 157, 198–199; 381/300–303,
381/306, 332–333, 336, 345, 361–364, 386–388
See application file for complete search history.

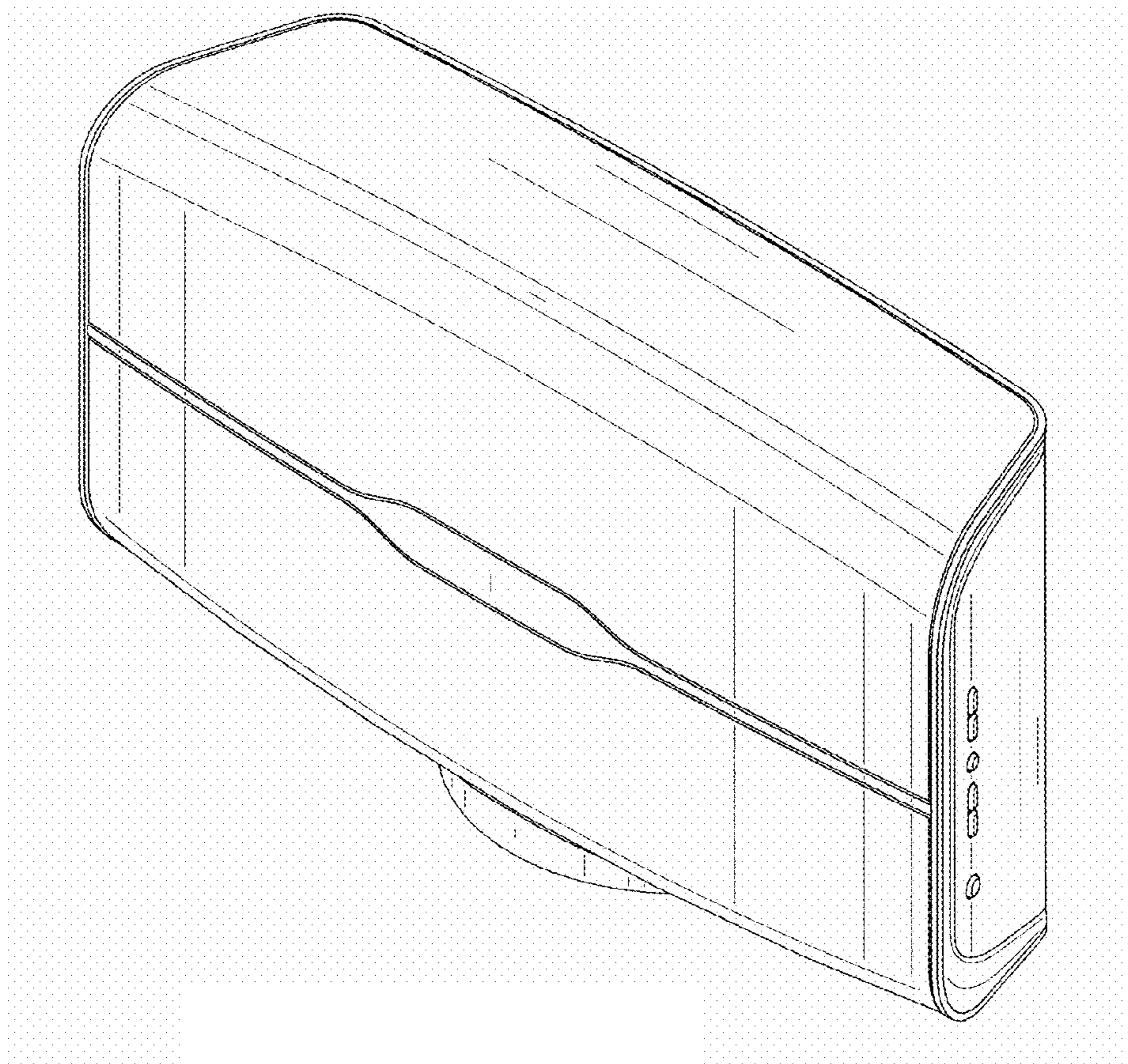
FIG. 1 is a perspective view of a speaker system for media
player showing the present design;
FIG. 2 is a front elevation view thereof;
FIG. 3 is a rear elevation view thereof;
FIG. 4 is a right elevation view thereof;
FIG. 5 is a left elevation view thereof;
FIG. 6 is a top view thereof; and,
FIG. 7 is a bottom view thereof.

(56) **References Cited**

U.S. PATENT DOCUMENTS

D317,919 S * 7/1991 Kawanabe D14/210
D418,138 S * 12/1999 Miyazaki D14/214

1 Claim, 4 Drawing Sheets



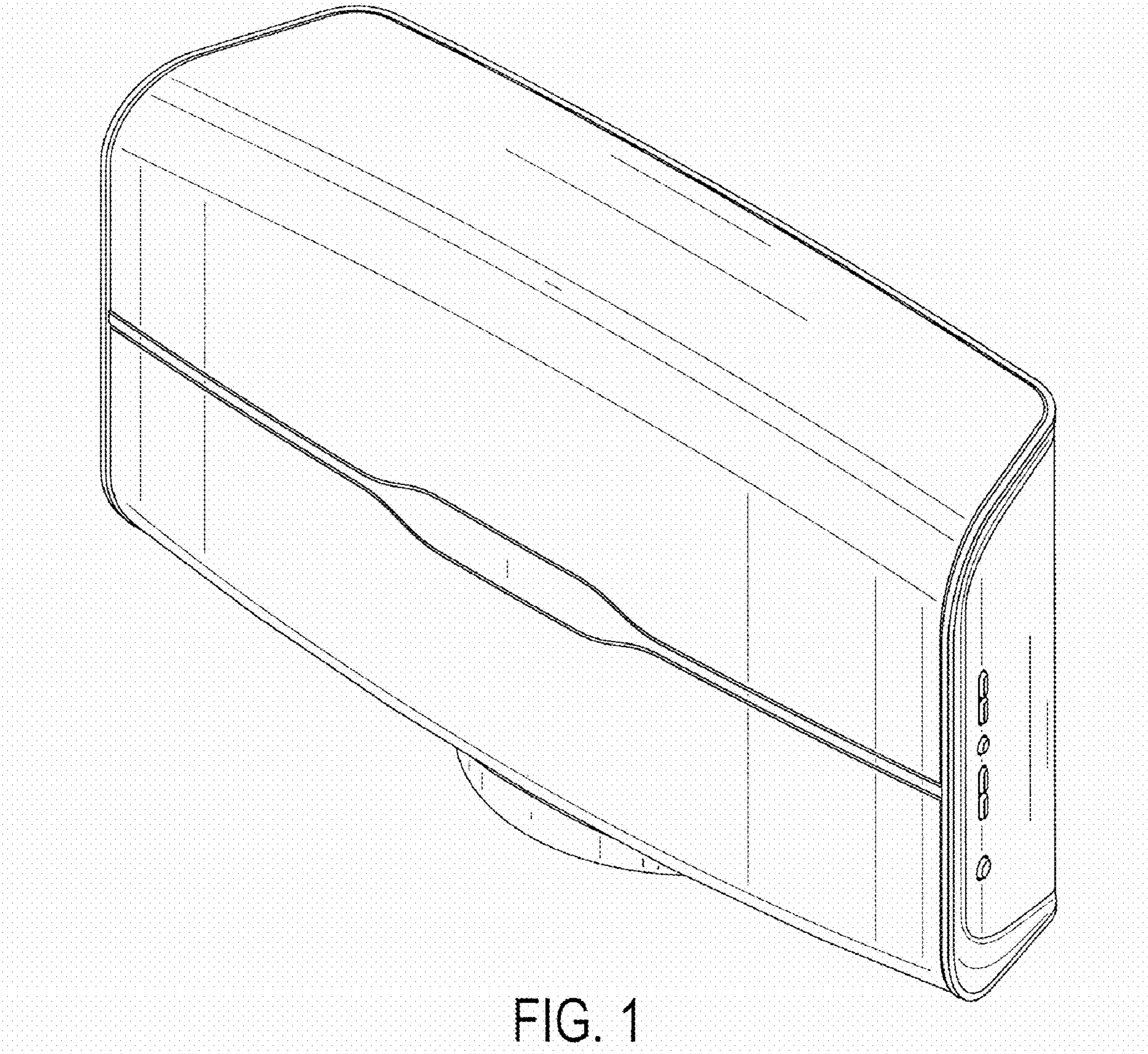


FIG. 1

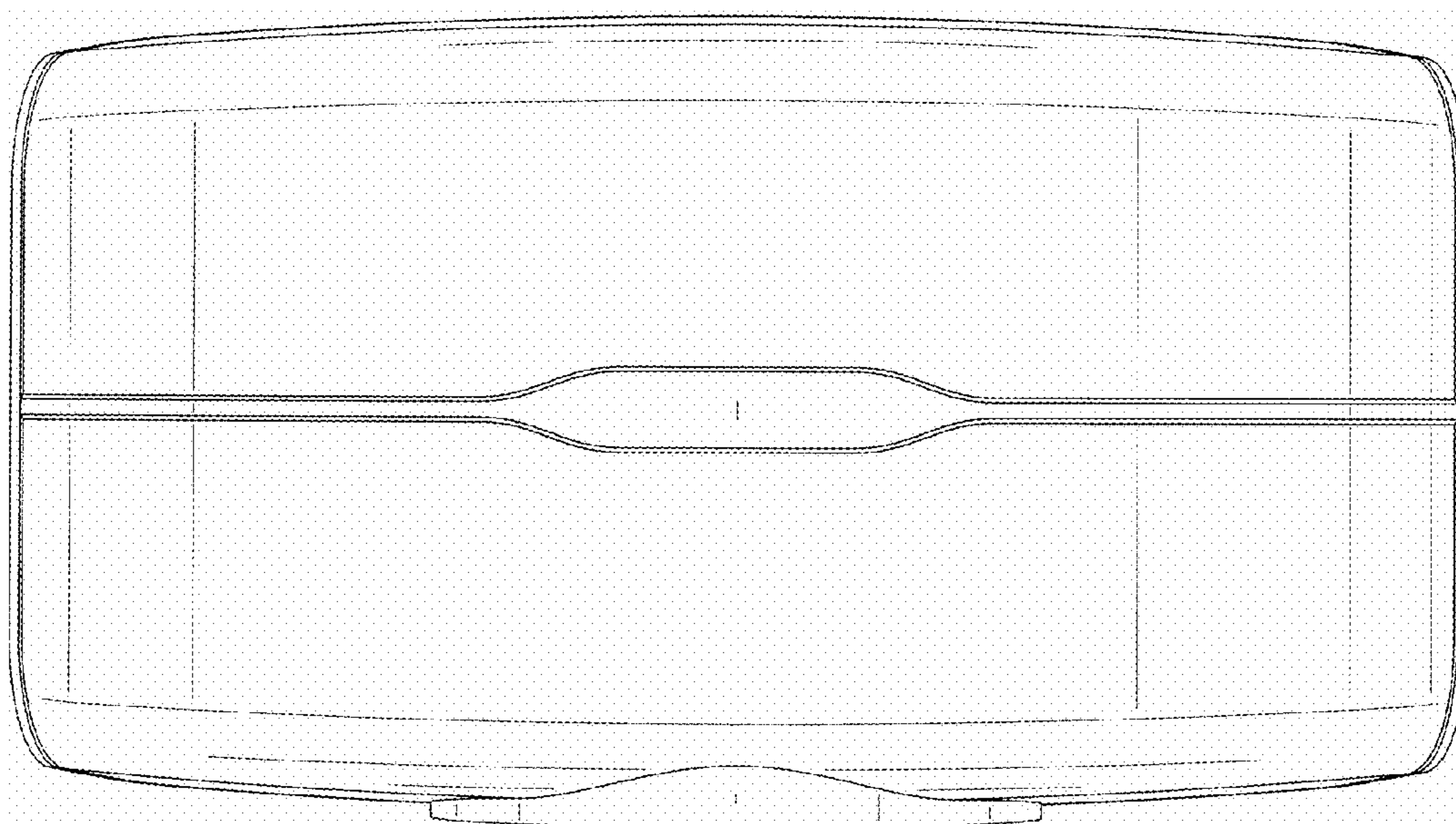


FIG. 2

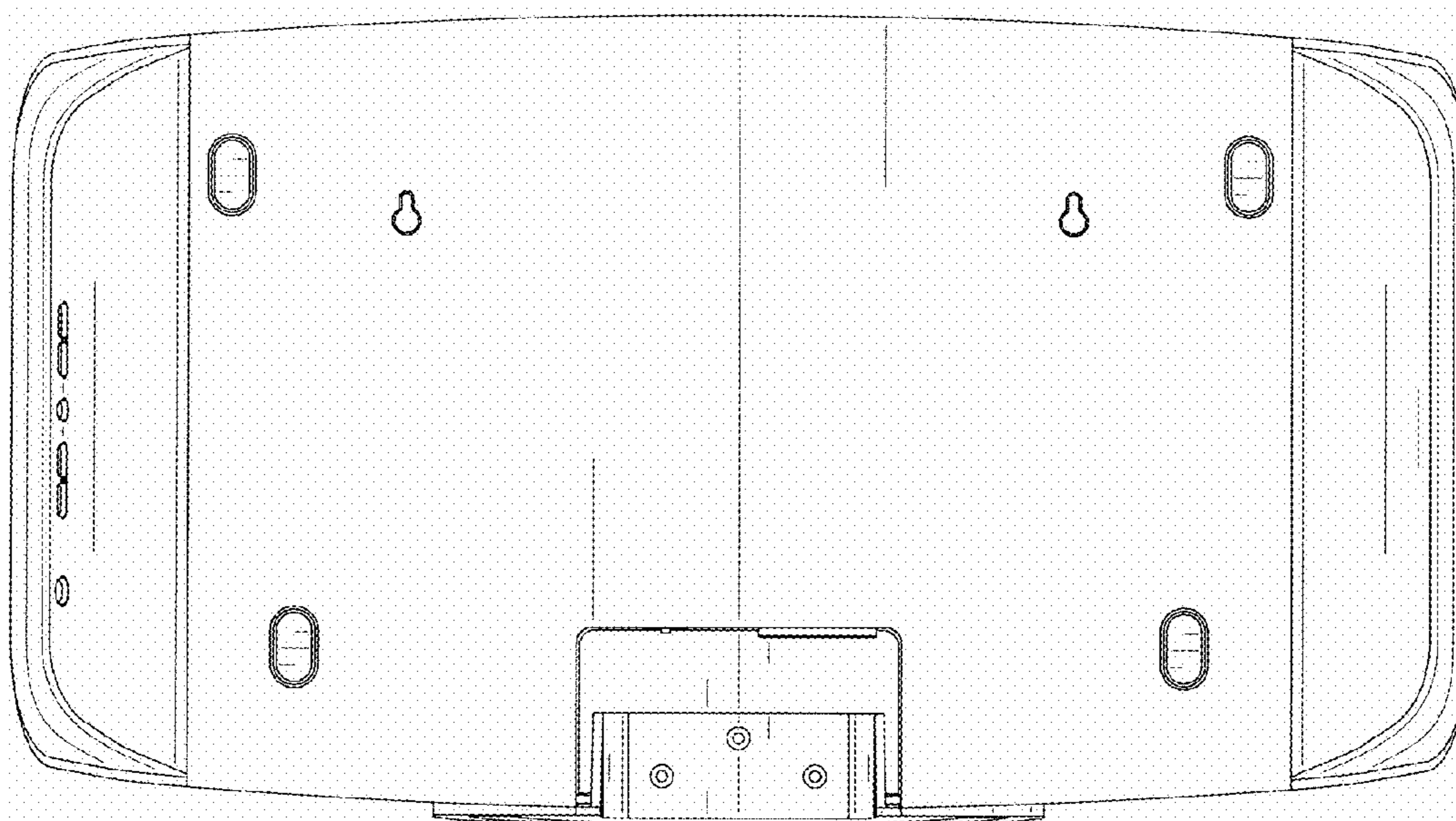


FIG. 3

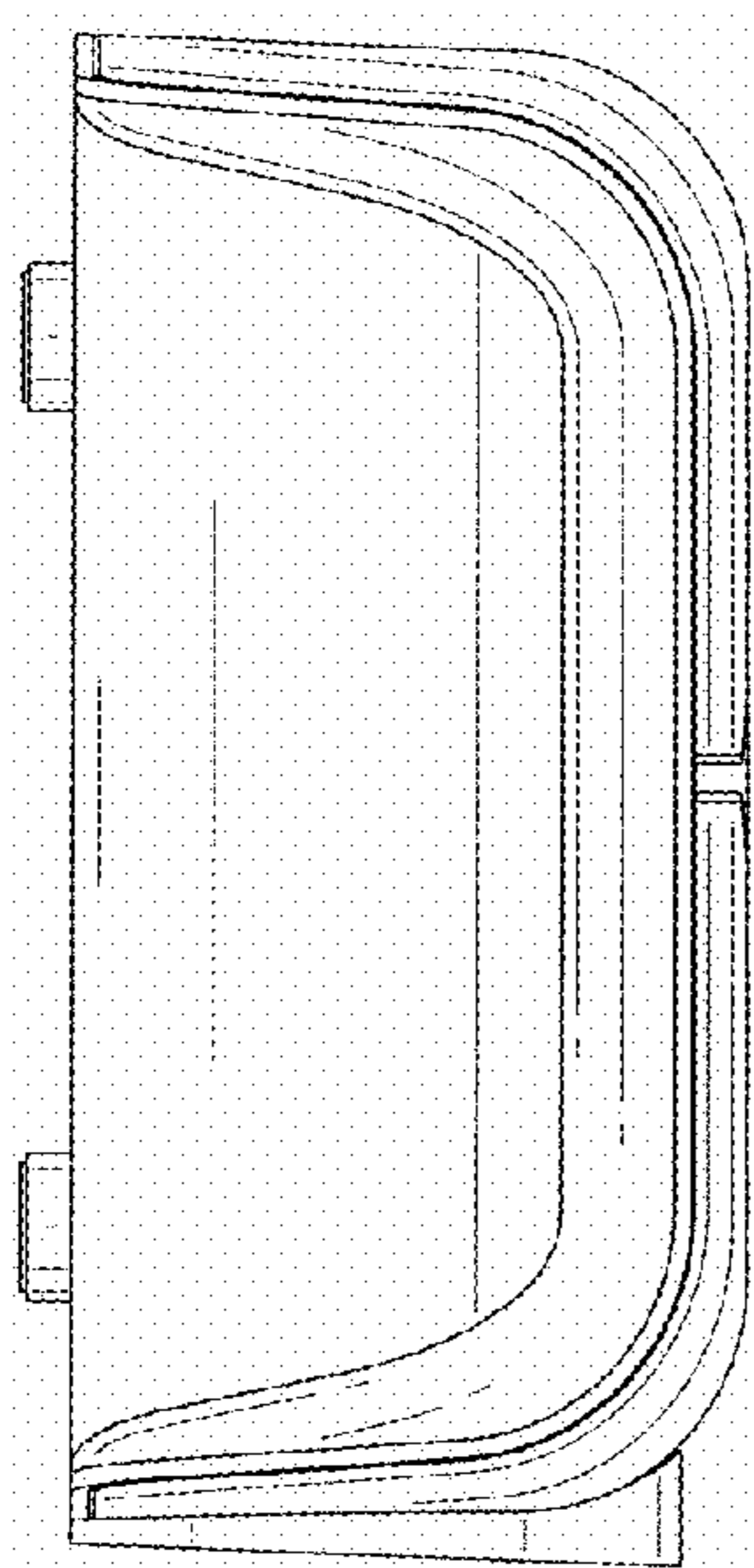


FIG. 4

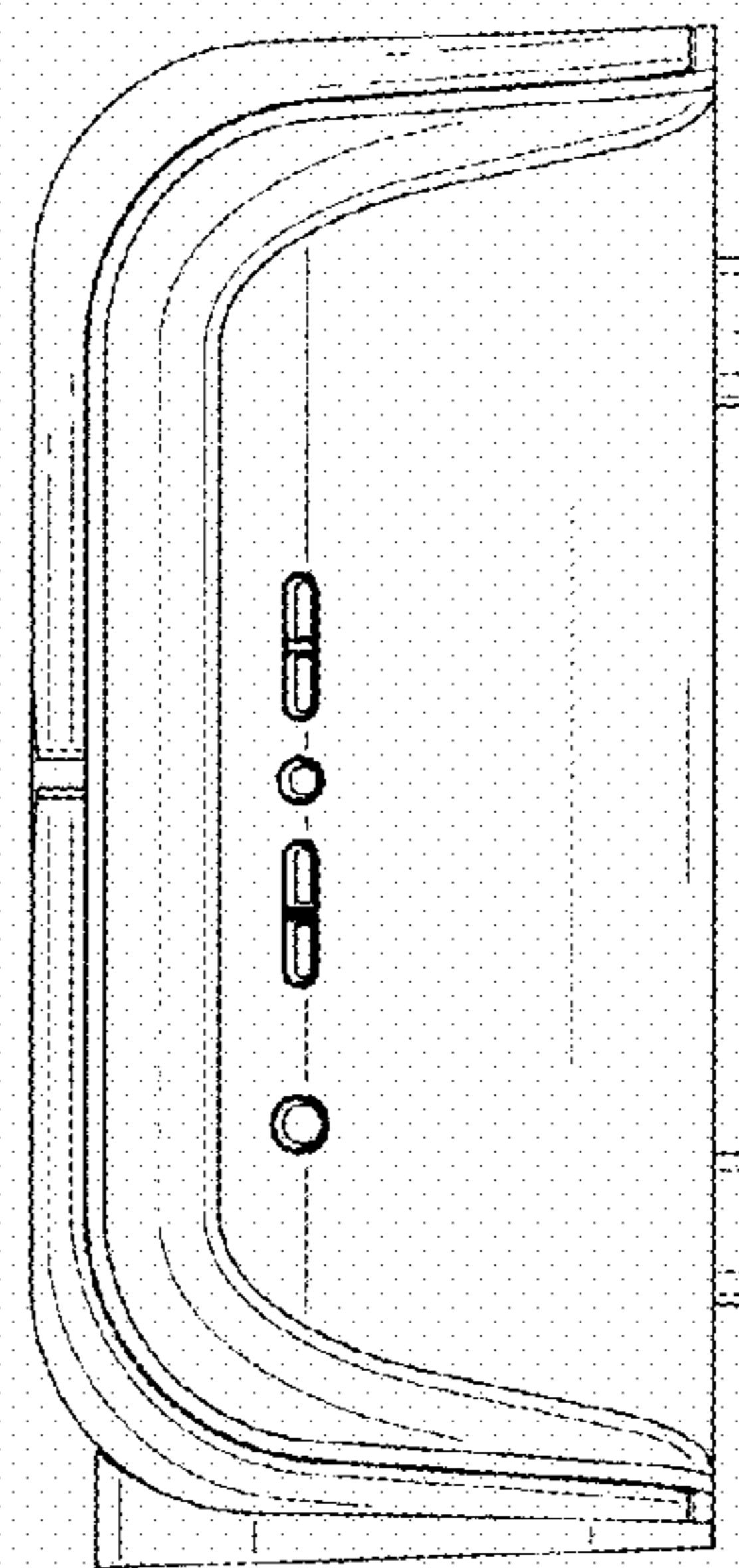


FIG. 5

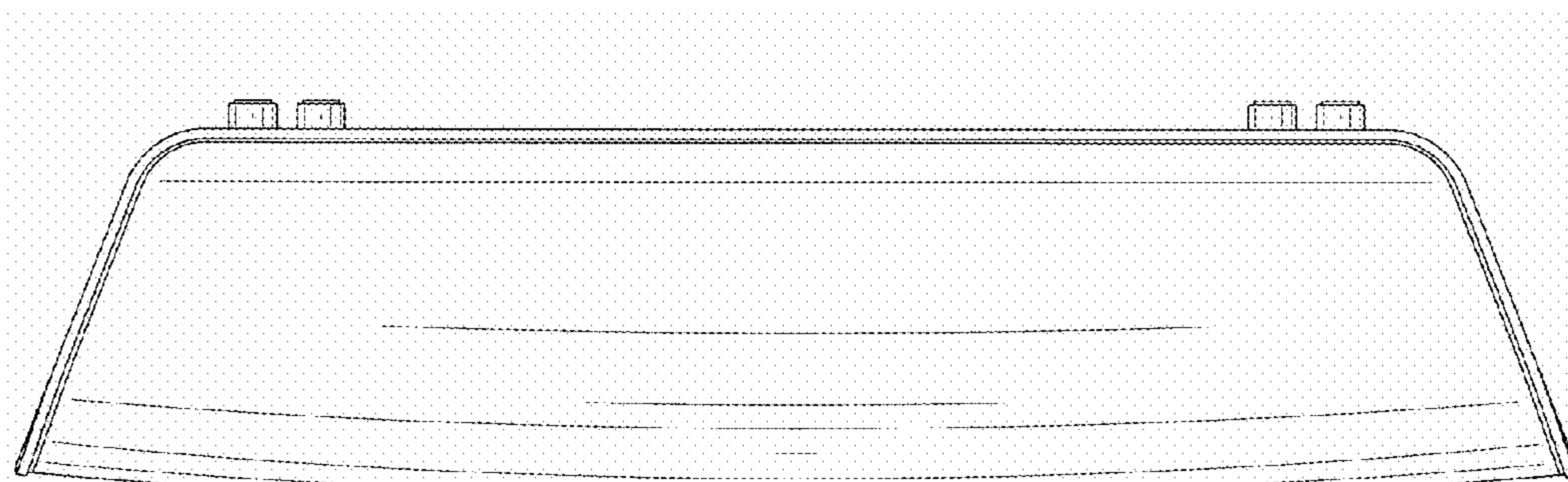


FIG. 6

