



US00D576604S

(12) **United States Design Patent**
Suzuki

(10) **Patent No.:** **US D576,604 S**
(45) **Date of Patent:** **** Sep. 9, 2008**

(54) **HEADPHONE**

(75) Inventor: **Hiroyasu Suzuki**, Machida (JP)

(73) Assignee: **Kabushiki Kaisha Audio-Technica**,
Tokyo (JP)

(**) Term: **14 Years**

(21) Appl. No.: **29/290,650**

(22) Filed: **Dec. 31, 2007**

(30) **Foreign Application Priority Data**

Nov. 26, 2007 (JP) 2007-032338

(51) **LOC (8) Cl.** **14-01**

(52) **U.S. Cl.** **D14/205**

(58) **Field of Classification Search** D14/142,
D14/188, 192, 205, 206, 223; 181/129-130;
381/370-371, 374, 376, 377-379, 380, 381;
2/209, 423; 128/857, 866; 24/3.1; 379/430,
379/433; 455/575.1, 575.2

See application file for complete search history.

(56) **References Cited**

U.S. PATENT DOCUMENTS

D431,550 S * 10/2000 Yoneda D14/205
D435,249 S * 12/2000 Yasutomi D14/205
6,449,806 B1 * 9/2002 Engelhard et al. 24/3.1

6,654,966 B2 * 12/2003 Rolla 2/209
D491,163 S * 6/2004 Green D14/205
D497,357 S * 10/2004 Allum et al. D14/206
D497,608 S * 10/2004 Birgersson D14/205
7,172,052 B2 * 2/2007 Lenhard-Backhaus 181/129
D538,261 S * 3/2007 Taylor et al. D14/205
D541,255 S * 4/2007 Taylor et al. D14/205
D542,774 S * 5/2007 Rausch et al. D14/206
D548,221 S * 8/2007 Huang D14/205
D549,688 S * 8/2007 Suzuki D14/205

* cited by examiner

Primary Examiner—Paula A Greene

(74) *Attorney, Agent, or Firm*—Sughrue Mion, PLLC

(57) **CLAIM**

The ornamental design for a headphone, as shown.

DESCRIPTION

FIG. 1 is a perspective view of the front and right side of a headphone showing my new design;

FIG. 2 is a right side elevational view thereof;

FIG. 3 is a left side elevational view thereof;

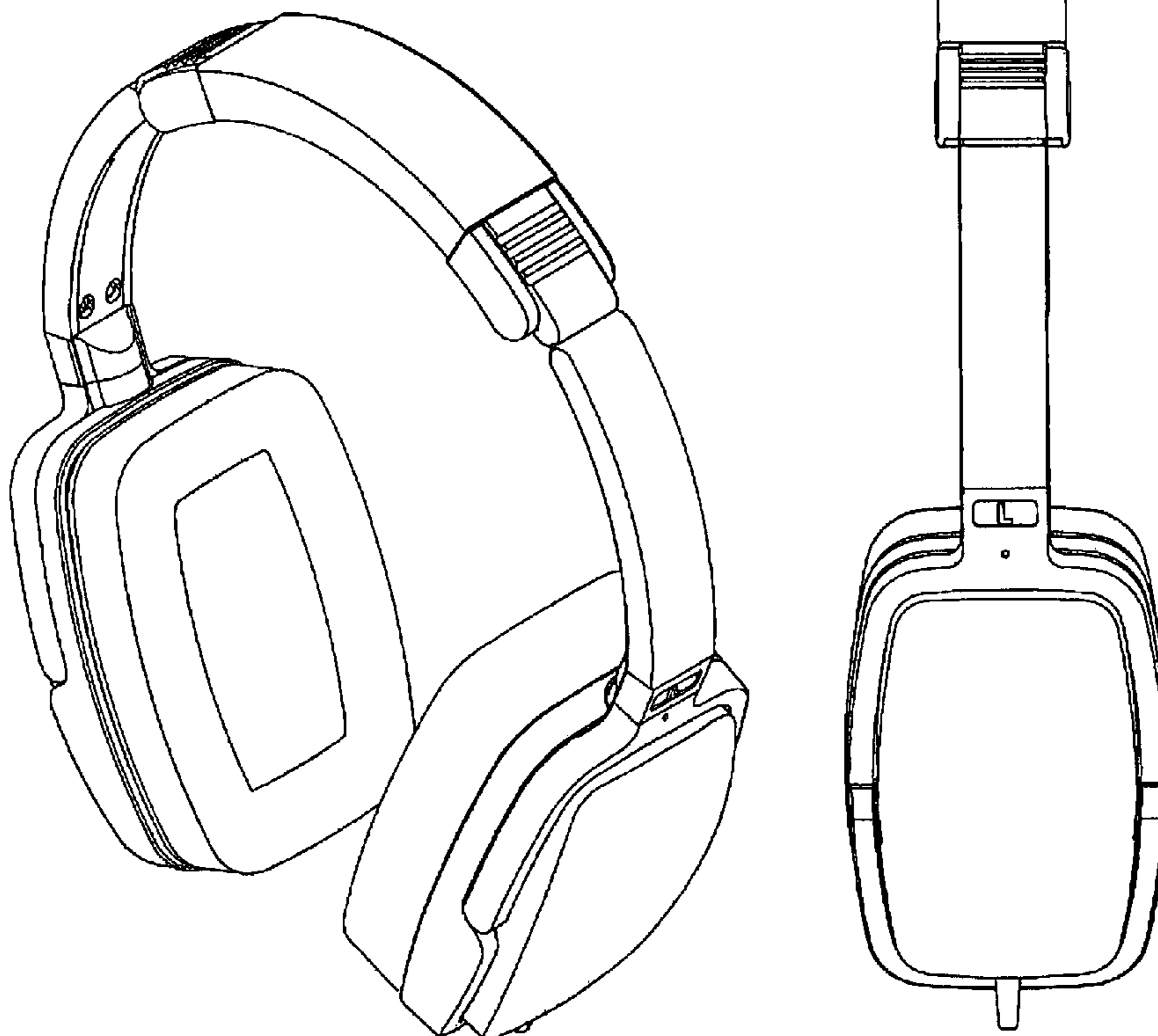
FIG. 4 is a front elevational view thereof;

FIG. 5 is a rear elevational view thereof;

FIG. 6 is a top plan view thereof; and,

FIG. 7 is a bottom plan view thereof.

1 Claim, 7 Drawing Sheets



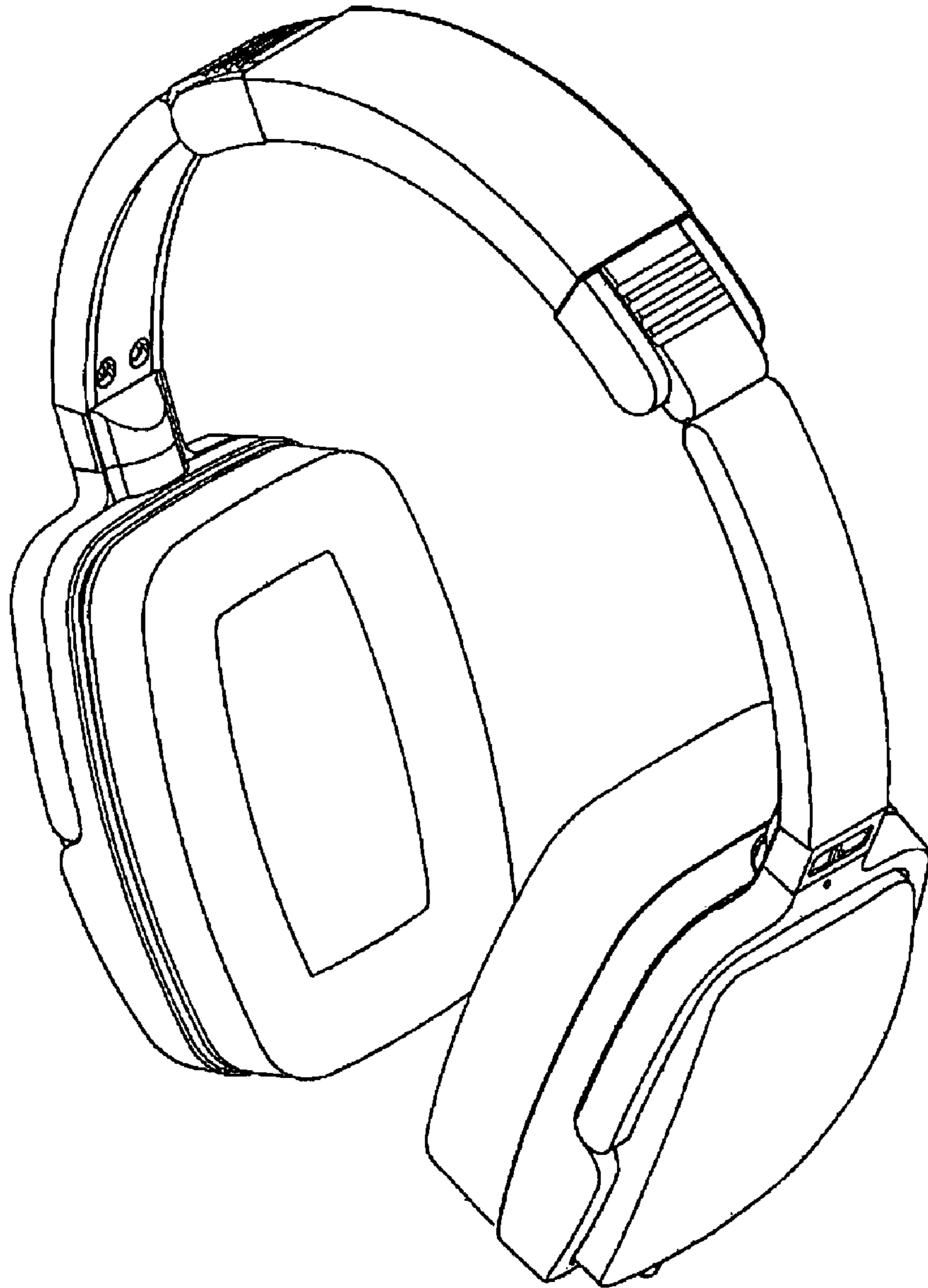


FIG. 1

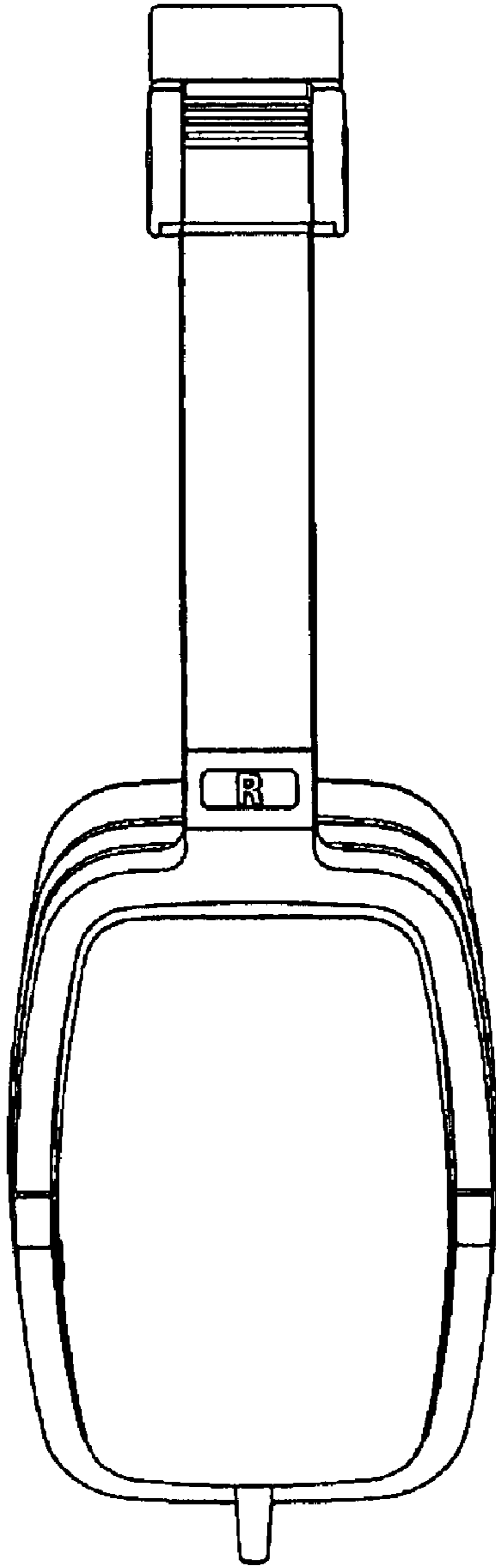


FIG. 2

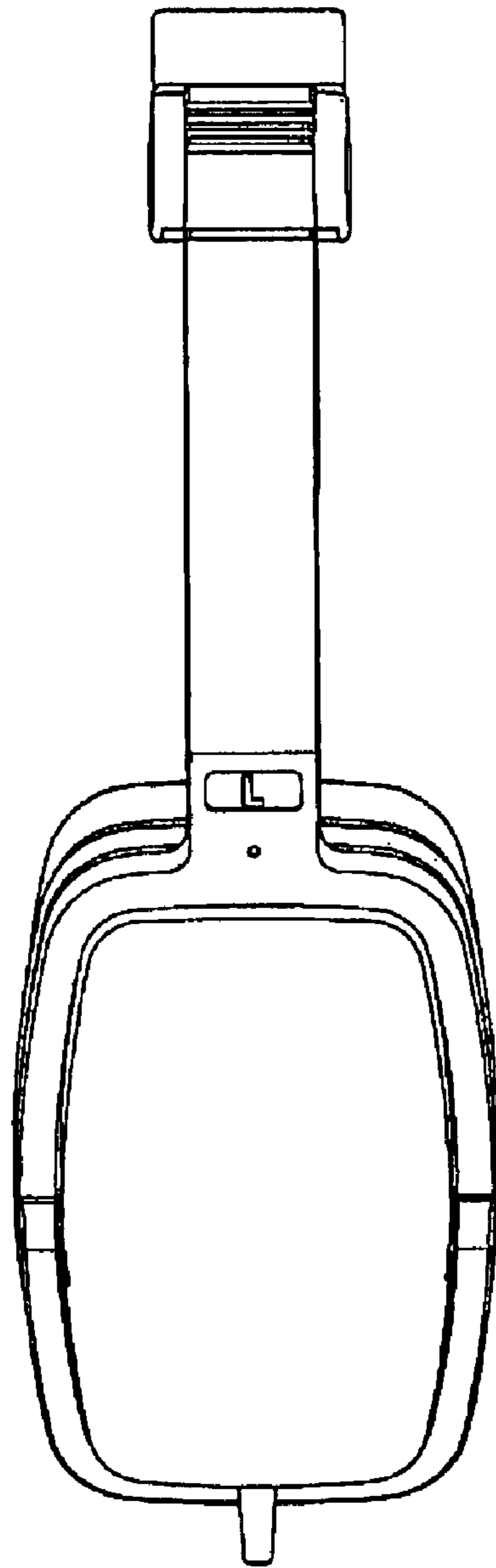


FIG. 3

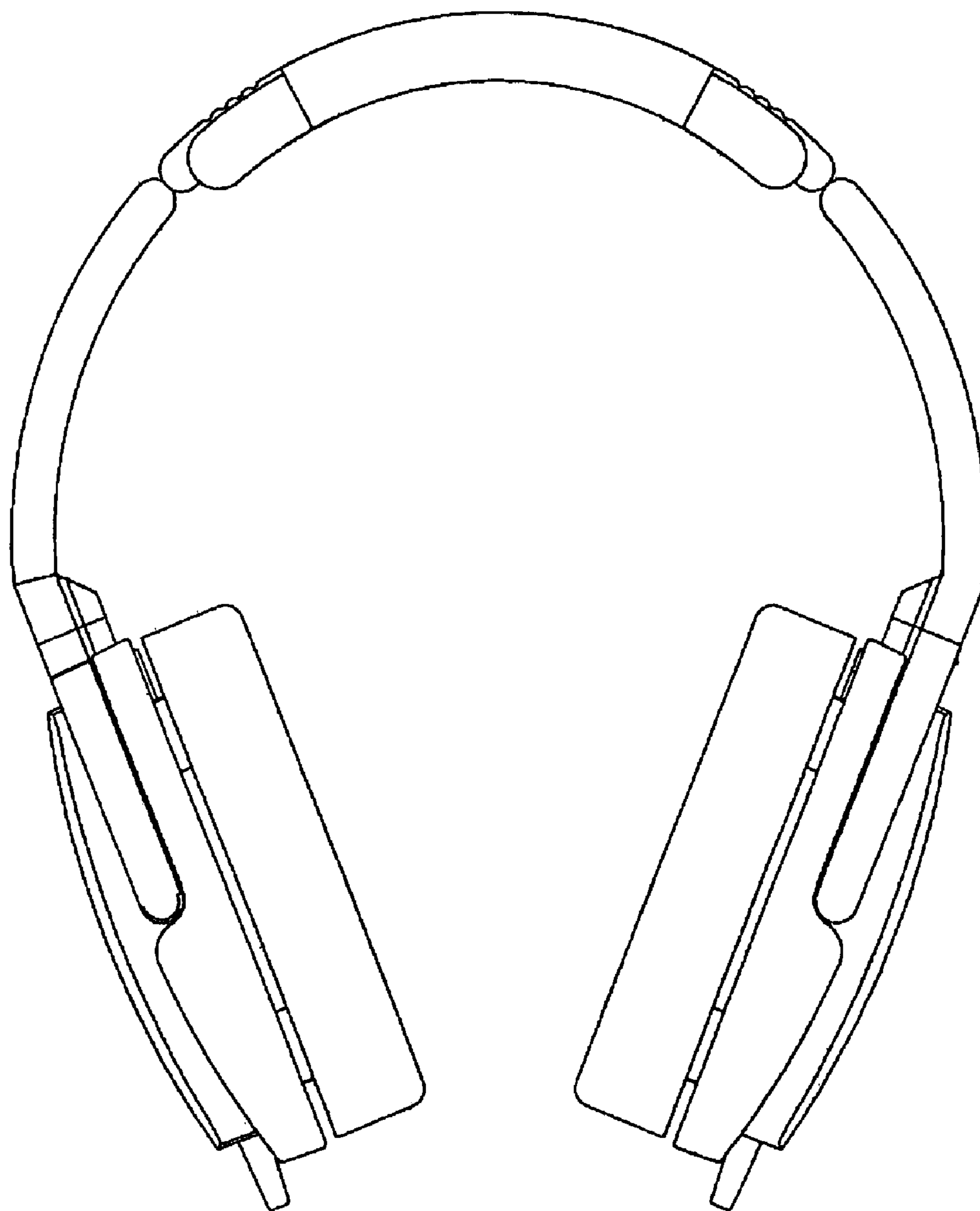


FIG. 4

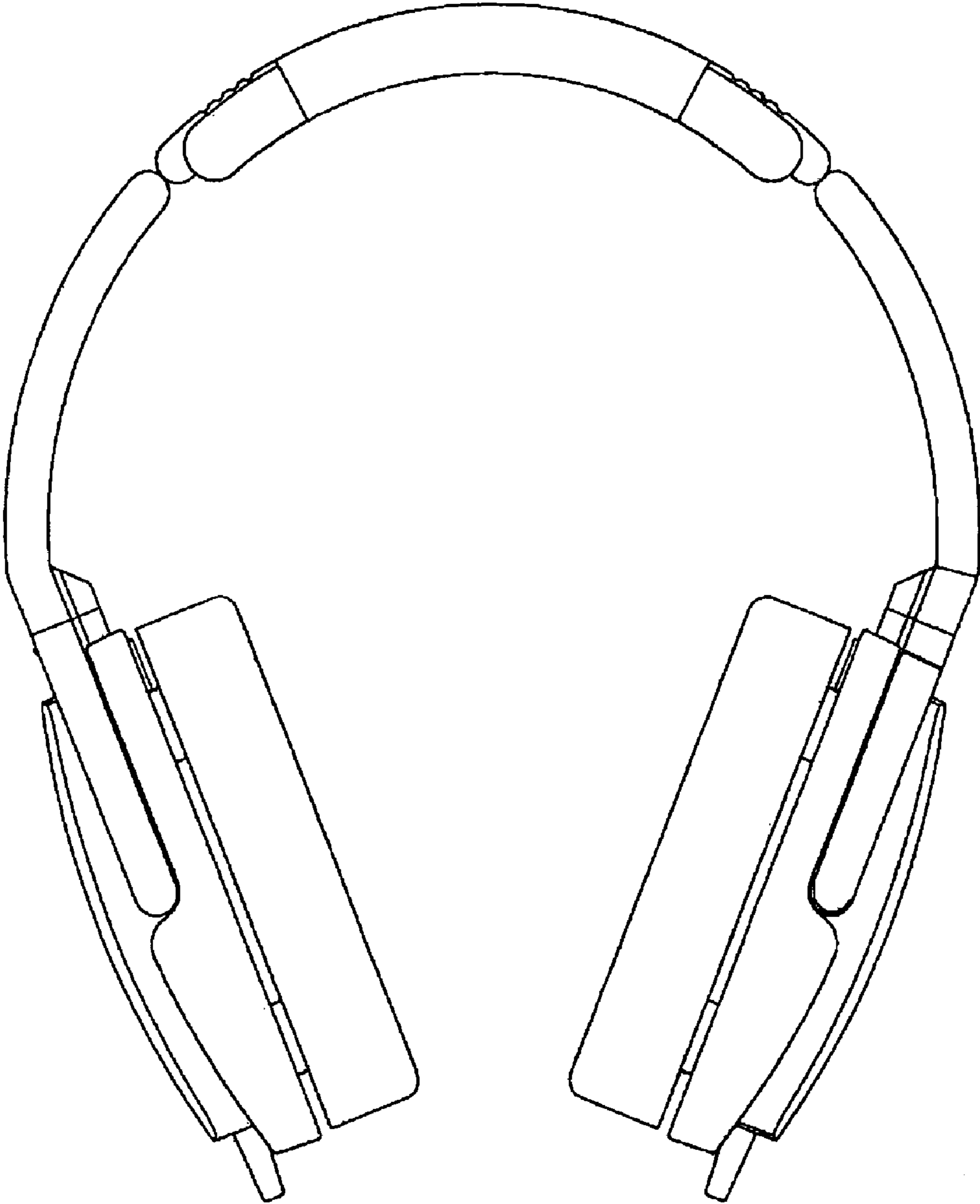


FIG. 5

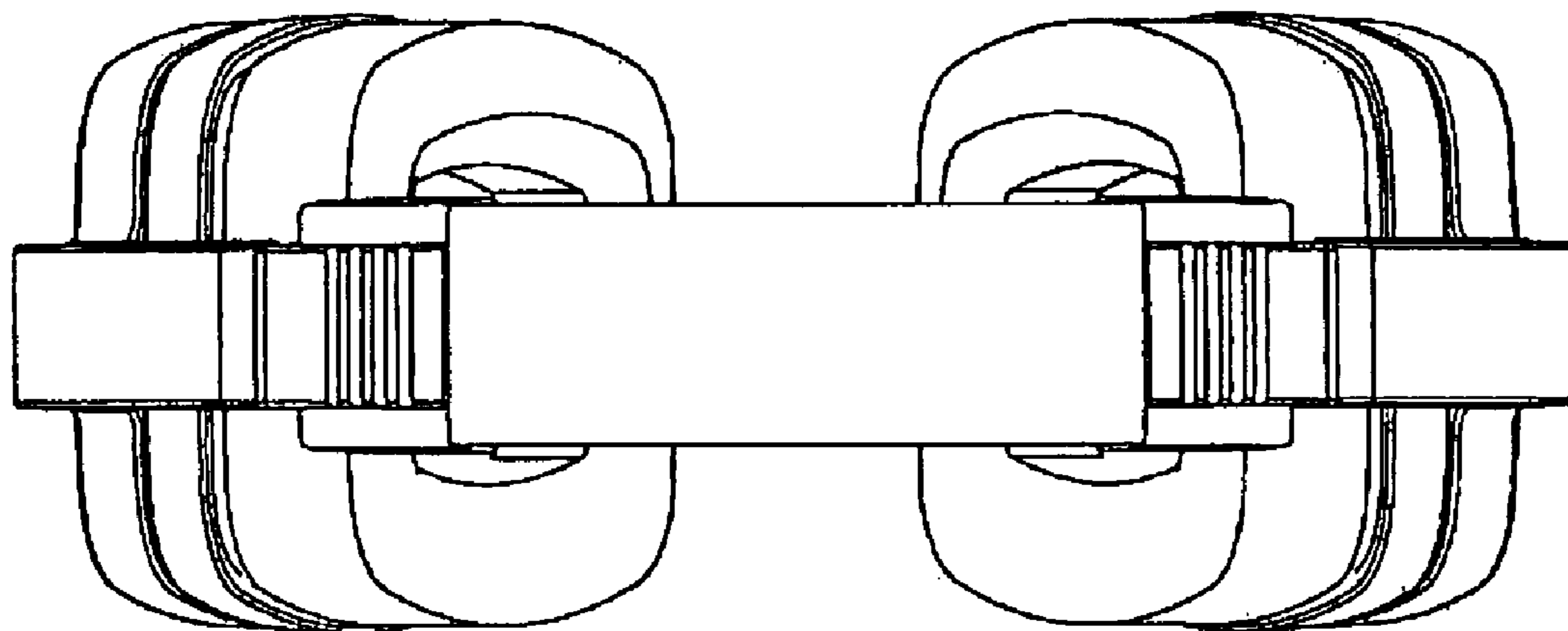


FIG. 6

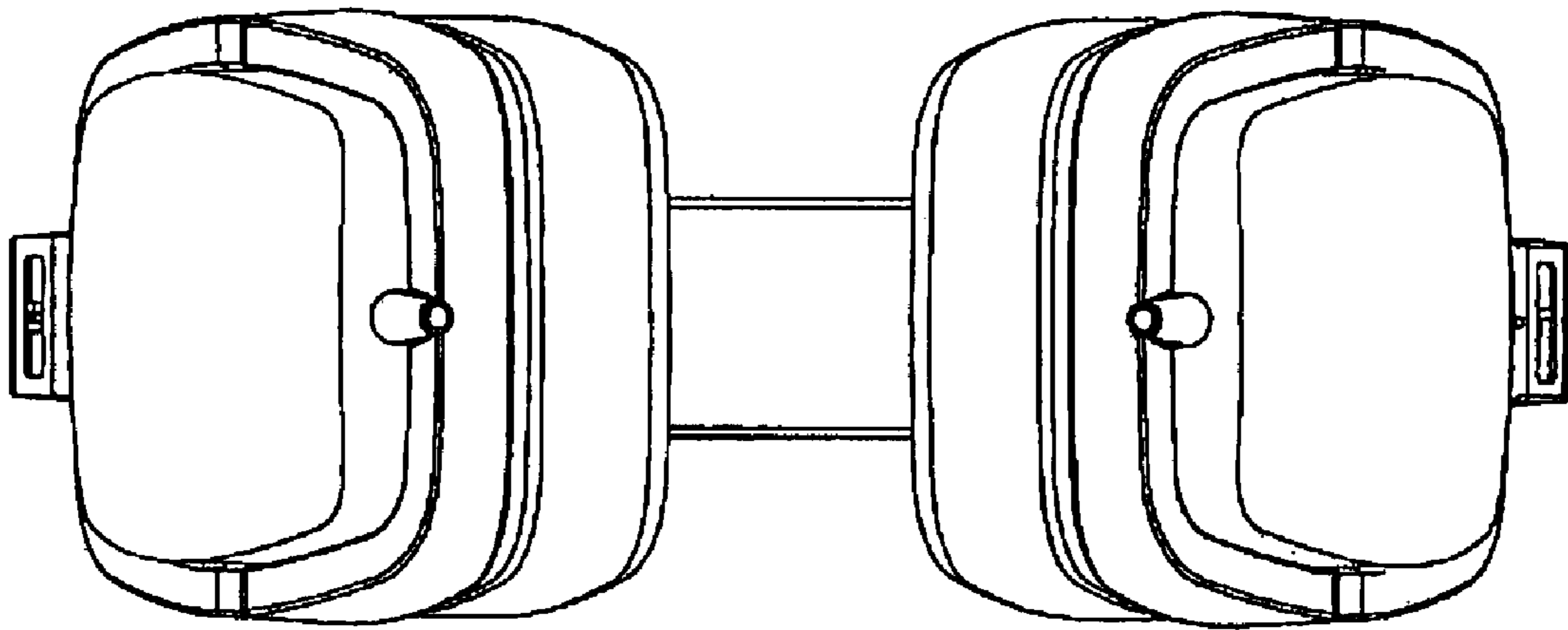


FIG. 7