



US00D576603S

(12) **United States Design Patent**
Ohno

(10) **Patent No.:** **US D576,603 S**
(45) **Date of Patent:** **** Sep. 9, 2008**

(54) **HARD DISC RECORDER**

(75) Inventor: **Shigeki Ohno**, Tokyo (JP)

(73) Assignee: **Sony Corporation**, Tokyo (JP)

(**) Term: **14 Years**

(21) Appl. No.: **29/244,356**

(22) Filed: **Dec. 9, 2005**

(30) **Foreign Application Priority Data**

Sep. 13, 2005 (JP) D2005-026430

(51) **LOC (8) Cl.** **14-01**

(52) **U.S. Cl.** **D14/167**

(58) **Field of Classification Search** D14/258,
D14/257, 217, 198, 197, 196, 195, 194, 193,
D14/188, 168, 167, 162, 156, 136, 135, 368,
D14/165; 386/68, 91, 52; 455/350, 347, 344
See application file for complete search history.

(56) **References Cited**

U.S. PATENT DOCUMENTS

D348,064 S * 6/1994 Saito et al. D14/193
D377,350 S 1/1997 Niitsu
D433,410 S * 11/2000 Matsuzaka D14/365
D438,183 S * 2/2001 Sato et al. D14/136
D469,428 S * 1/2003 Senda et al. D14/257
D475,036 S 5/2003 Tejima
D483,729 S * 12/2003 Huang et al. D14/136

D494,172 S * 8/2004 Asai D14/368
D494,554 S * 8/2004 Wu D14/136
D501,193 S 1/2005 Tsuge
D506,984 S 7/2005 Oikawa
D512,391 S * 12/2005 Chiu D14/136
D517,031 S * 3/2006 Wu D14/136
D518,471 S * 4/2006 Deguchi D14/167

FOREIGN PATENT DOCUMENTS

JP D1117517 S 8/2001

* cited by examiner

Primary Examiner—Cathron C. Brooks

Assistant Examiner—Austin Murphy

(74) *Attorney, Agent, or Firm*—Rader, Fishman Grauer,
PLLC

(57) **CLAIM**

The ornamental design for a hard disc recorder, as shown.

DESCRIPTION

FIG. 1 is a perspective view of a hard disc recorder showing
my new design;

FIG. 2 is a front elevational view thereof;

FIG. 3 is a rear elevational view thereof;

FIG. 4 is a left side elevational view thereof;

FIG. 5 is a right side elevational view thereof;

FIG. 6 is a top plan view thereof; and,

FIG. 7 is a bottom plan view thereof.

1 Claim, 7 Drawing Sheets

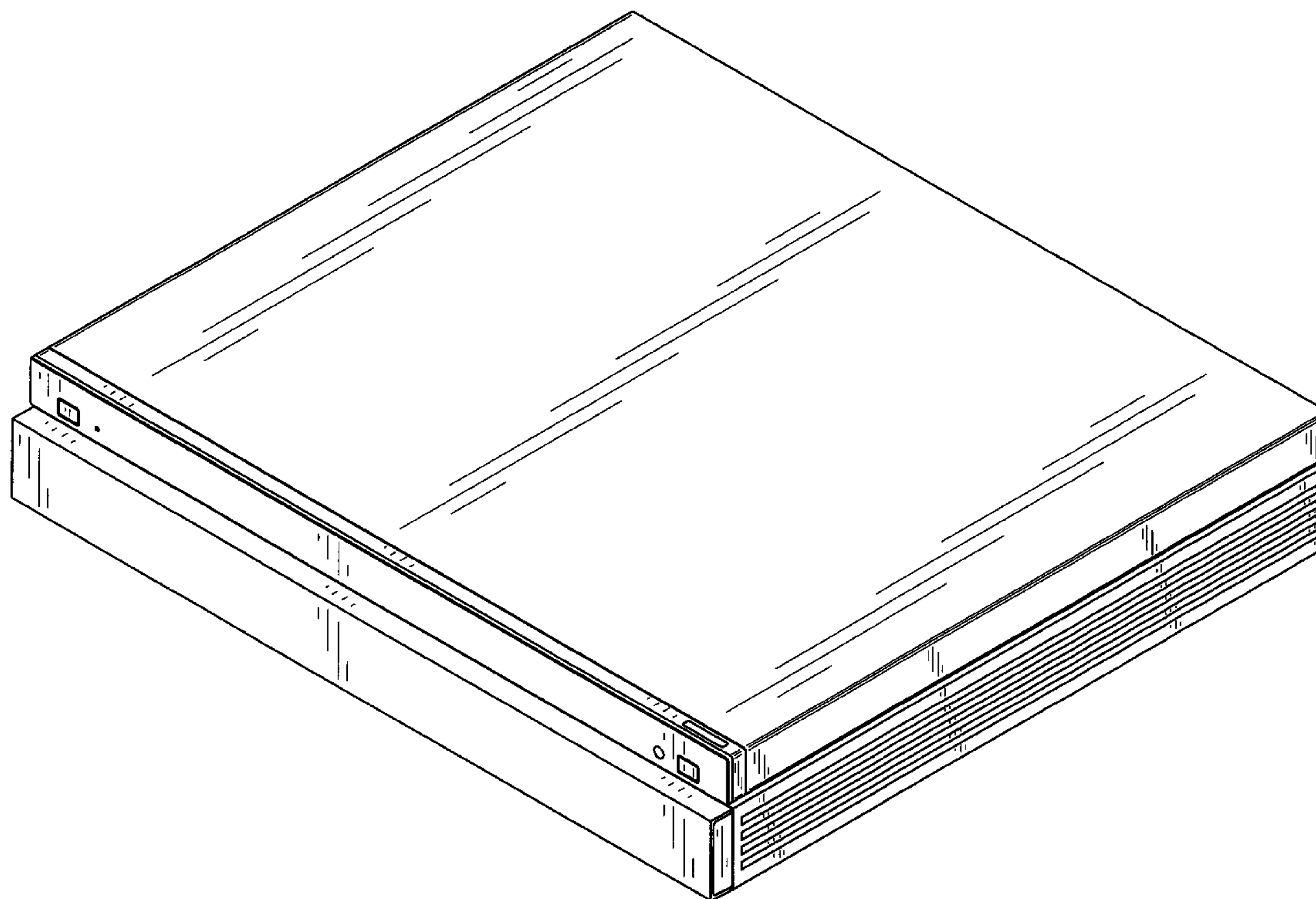


Fig.1

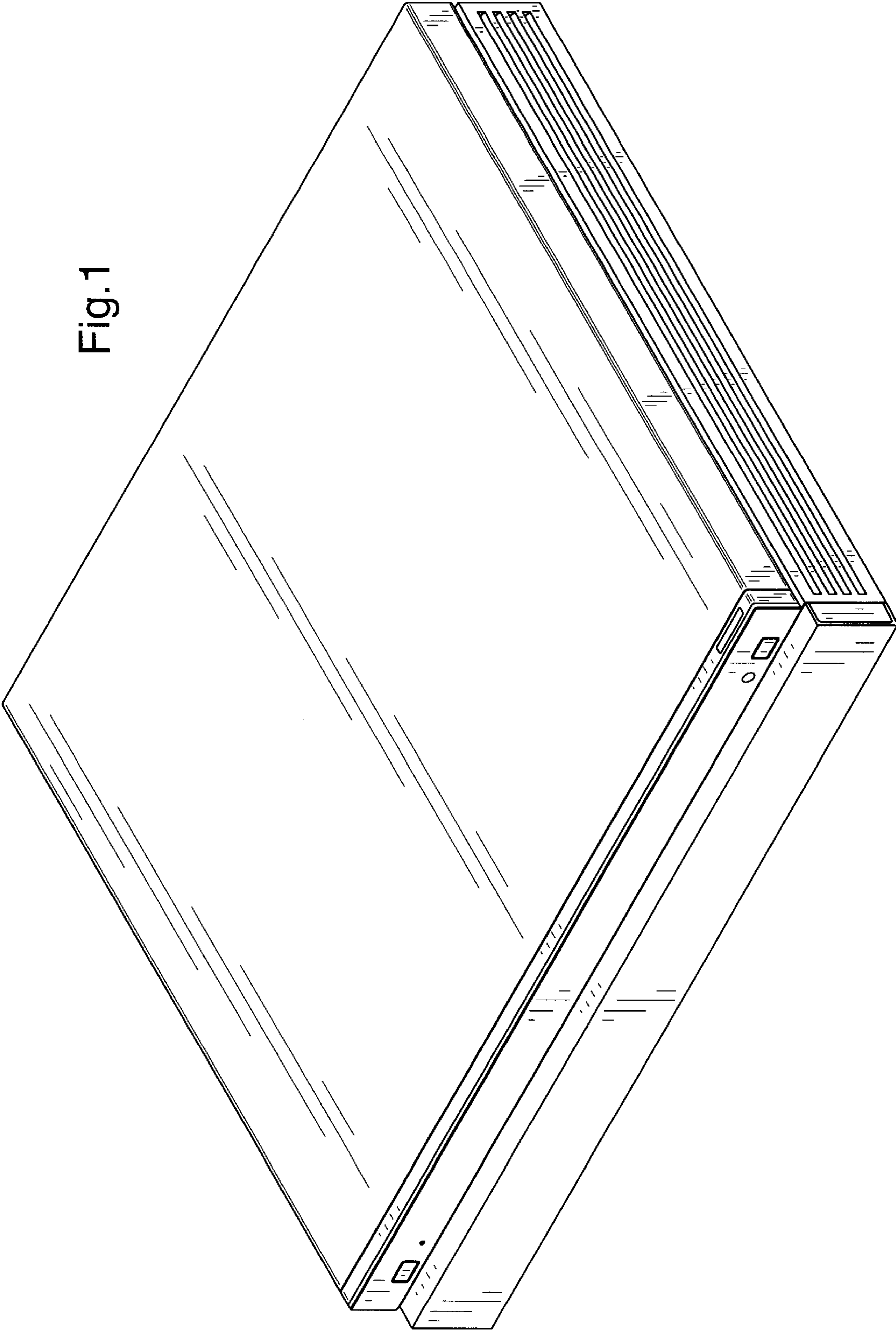


Fig.2

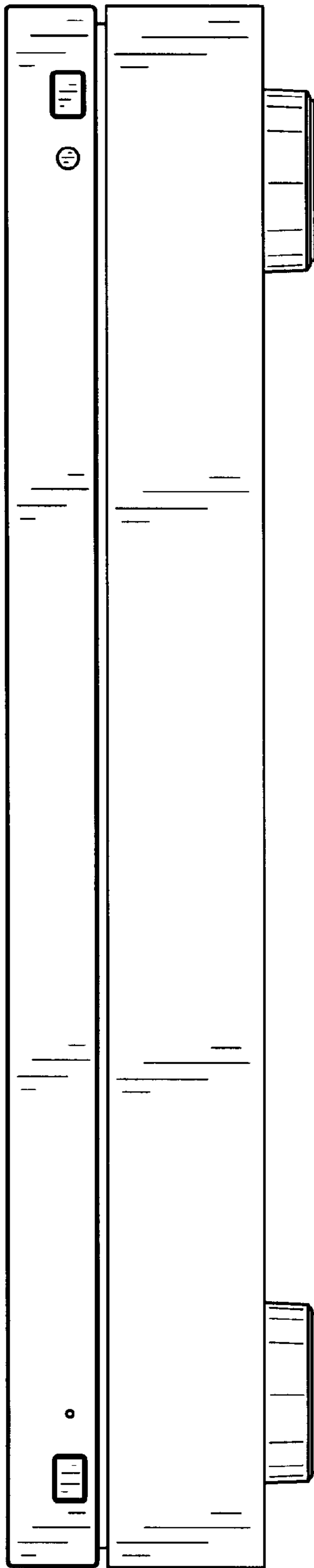


Fig.3

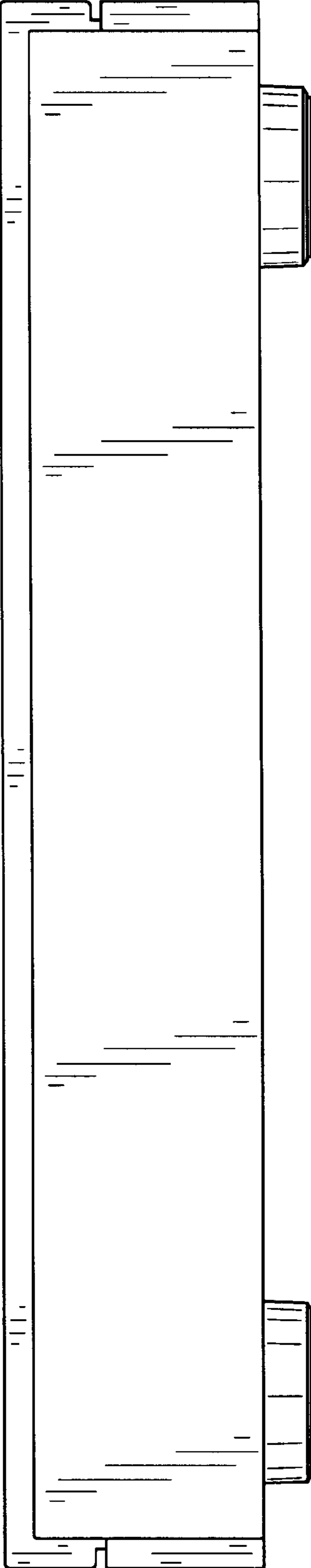


Fig.4

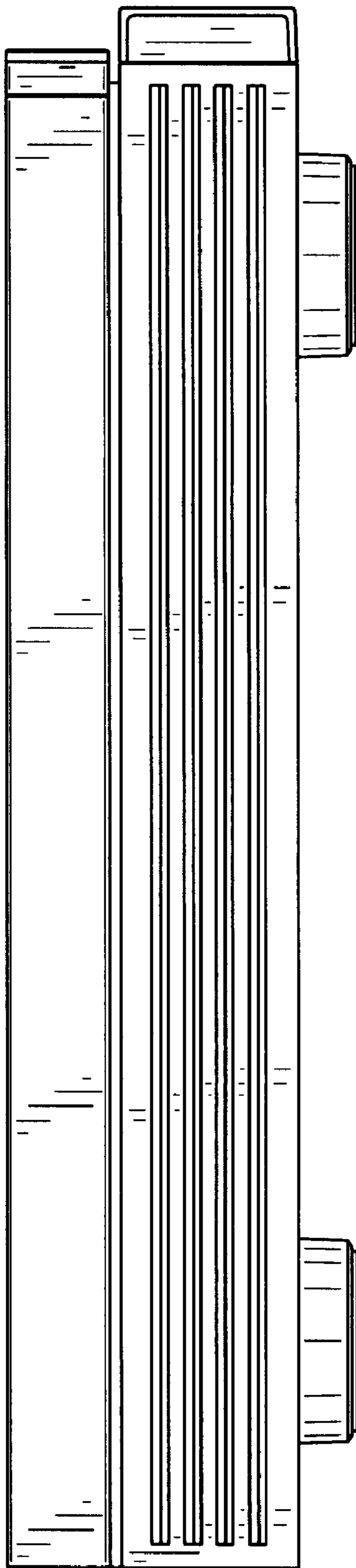
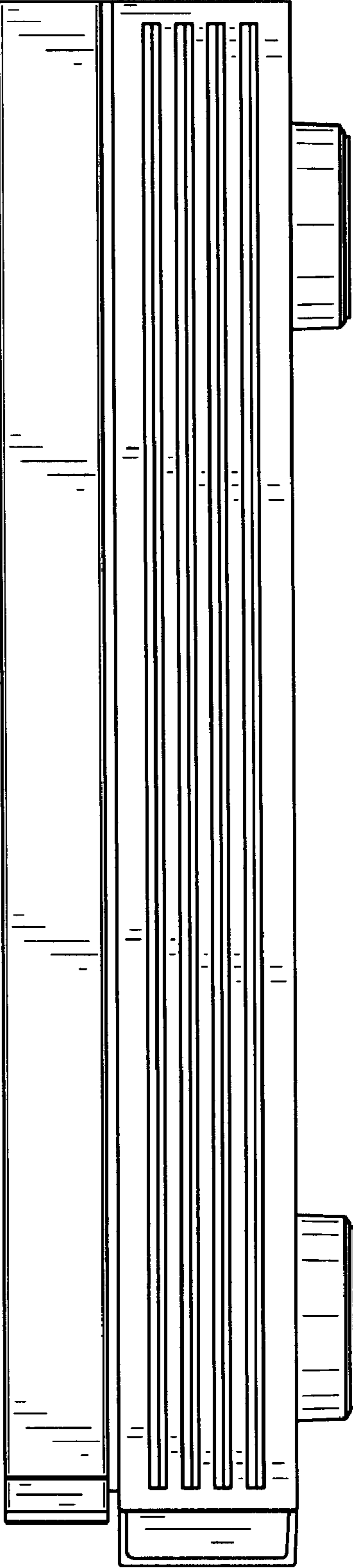


Fig. 5



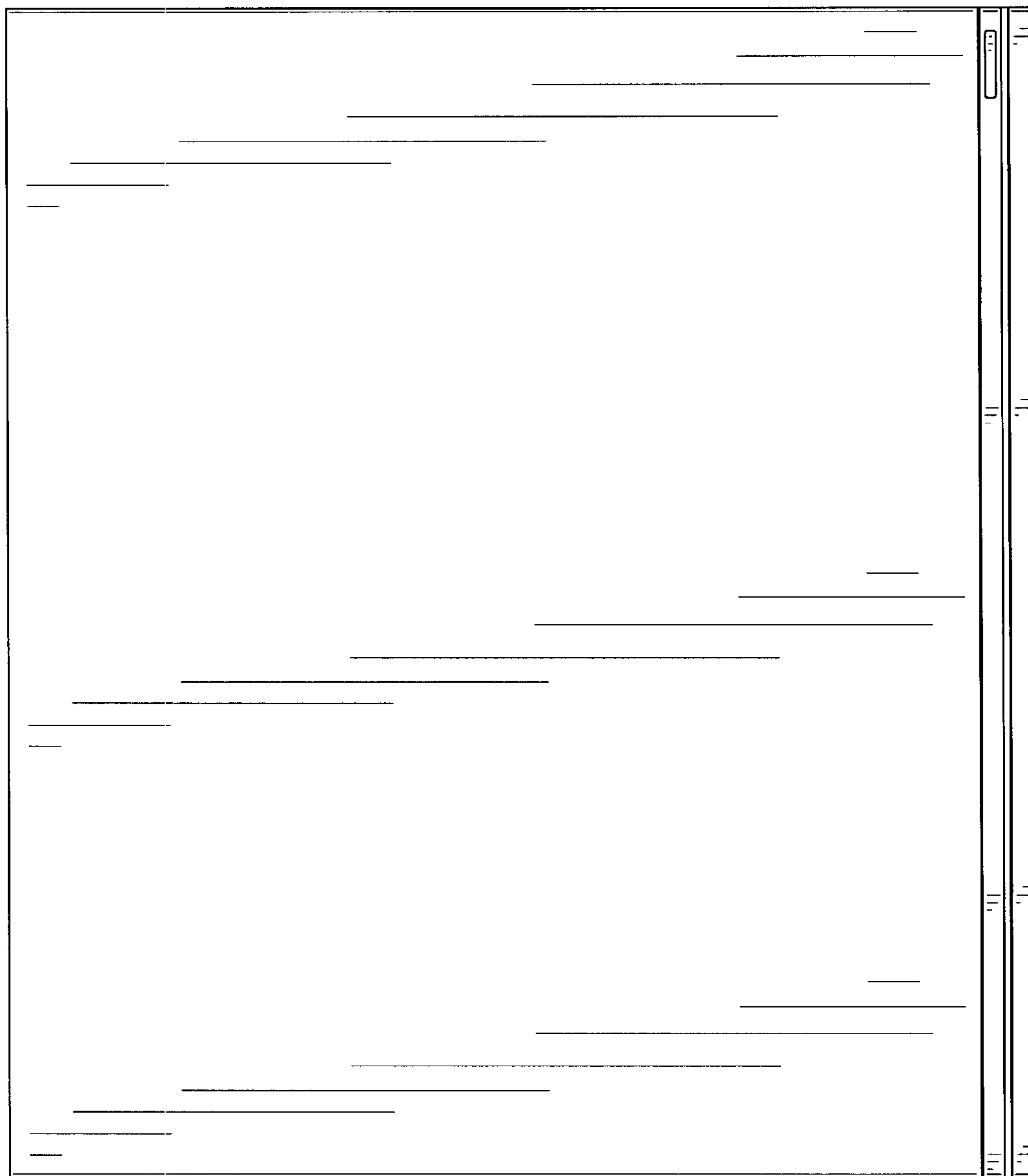


Fig.6

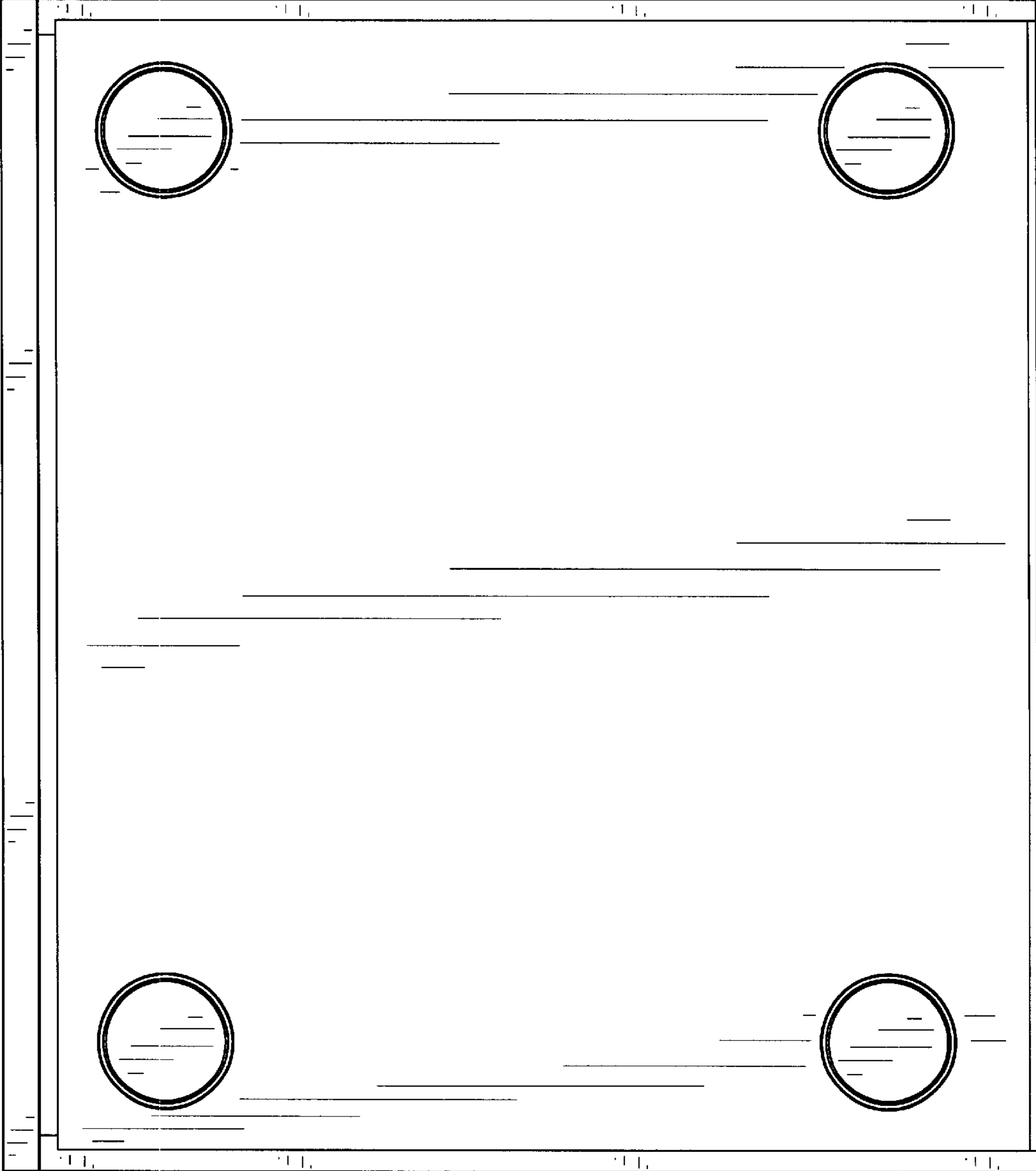


Fig. 7