



US00D576602S

(12) **United States Design Patent**  
**Takita et al.**

(10) **Patent No.:** **US D576,602 S**  
(45) **Date of Patent:** **\*\* Sep. 9, 2008**

(54) **DIGITAL AUDIO DISC PLAYER**

(75) Inventors: **Haruki Takita**, Tokyo (JP); **Hiroyuki Machida**, Tokyo (JP)

(73) Assignee: **Teac Corporation**, Tama-Shi, Tokyo (JP)

(\*\*) Term: **14 Years**

(21) Appl. No.: **29/290,647**

(22) Filed: **Dec. 31, 2007**

(30) **Foreign Application Priority Data**

Jul. 17, 2007 (FR) ..... 2007-019267

(51) **LOC (8) Cl.** ..... **14-01**

(52) **U.S. Cl.** ..... **D14/156**

(58) **Field of Classification Search** ..... D14/135,  
D14/136, 156, 167-168, 192, 197-198, 188,  
D14/496; 360/99.02, 99.07; 369/75.11,  
369/75.21, 77.21, 77.11; 720/612, 619, 647,  
720/655; 455/344, 347-351

See application file for complete search history.

(56) **References Cited**

**U.S. PATENT DOCUMENTS**

D313,020 S \* 12/1990 Ichikawa ..... D14/156

D430,551 S \* 9/2000 Shiono ..... D14/156  
D467,893 S \* 12/2002 Yamada ..... D14/167  
D470,470 S \* 2/2003 Yamada et al. .... D14/167  
D520,020 S \* 5/2006 Senda et al. .... D14/496  
D555,169 S \* 11/2007 Shimizu et al. .... D14/496

\* cited by examiner

*Primary Examiner*—Nanda Bondade

(74) *Attorney, Agent, or Firm*—Manabu Kanesaka

(57) **CLAIM**

The ornamental design for a digital audio disc player, as shown and described.

**DESCRIPTION**

FIG. 1 is a front view of a digital audio disc player showing our new design;

FIG. 2 is a rear view thereof;

FIG. 3 is a plan view thereof;

FIG. 4 is a bottom view thereof;

FIG. 5 is a left side view thereof;

FIG. 6 is a right side view thereof;

FIG. 7 is a perspective view thereof; and,

FIG. 8 is a reference drawing thereof in a state that a lid is opened.

**1 Claim, 4 Drawing Sheets**

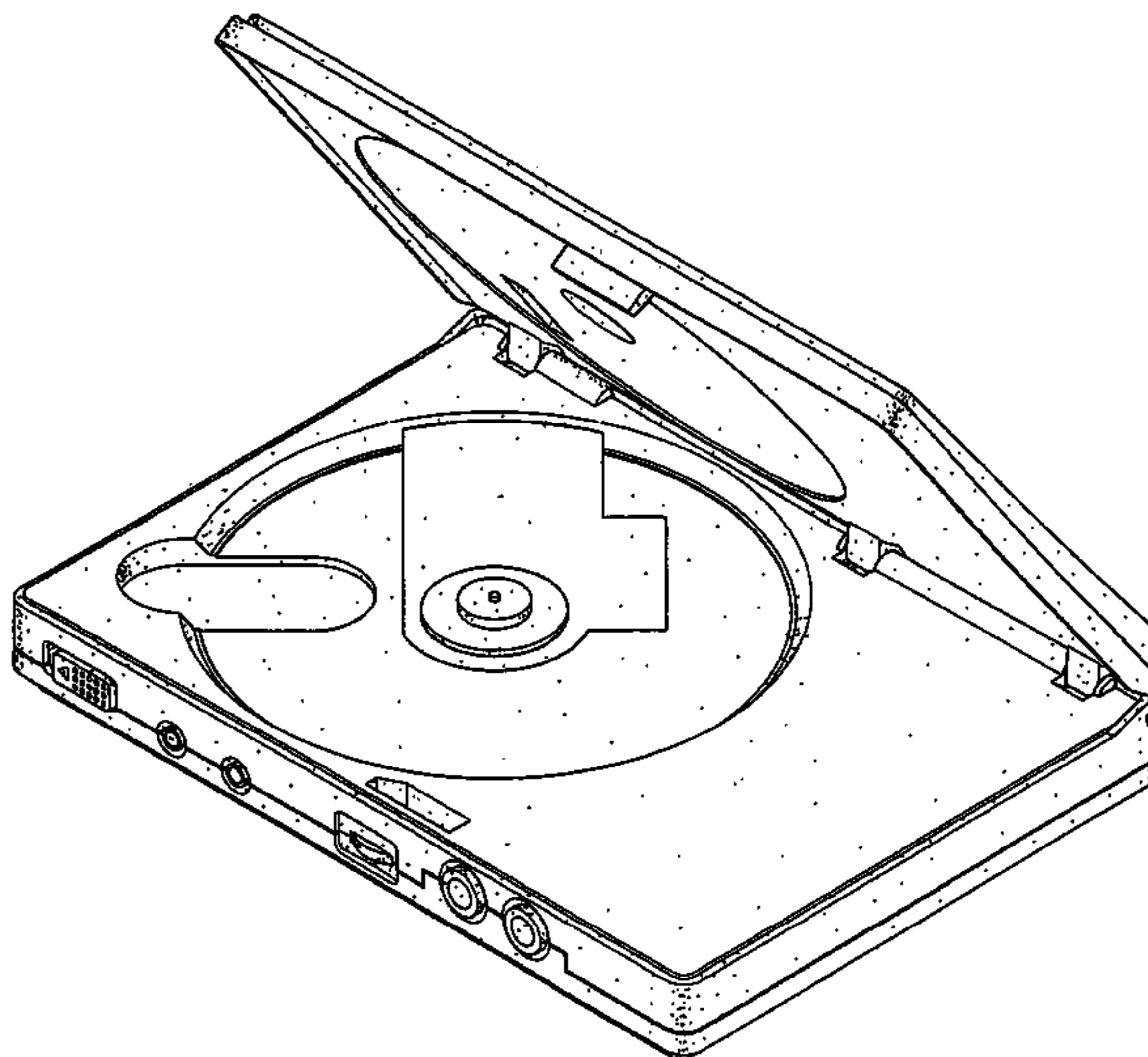
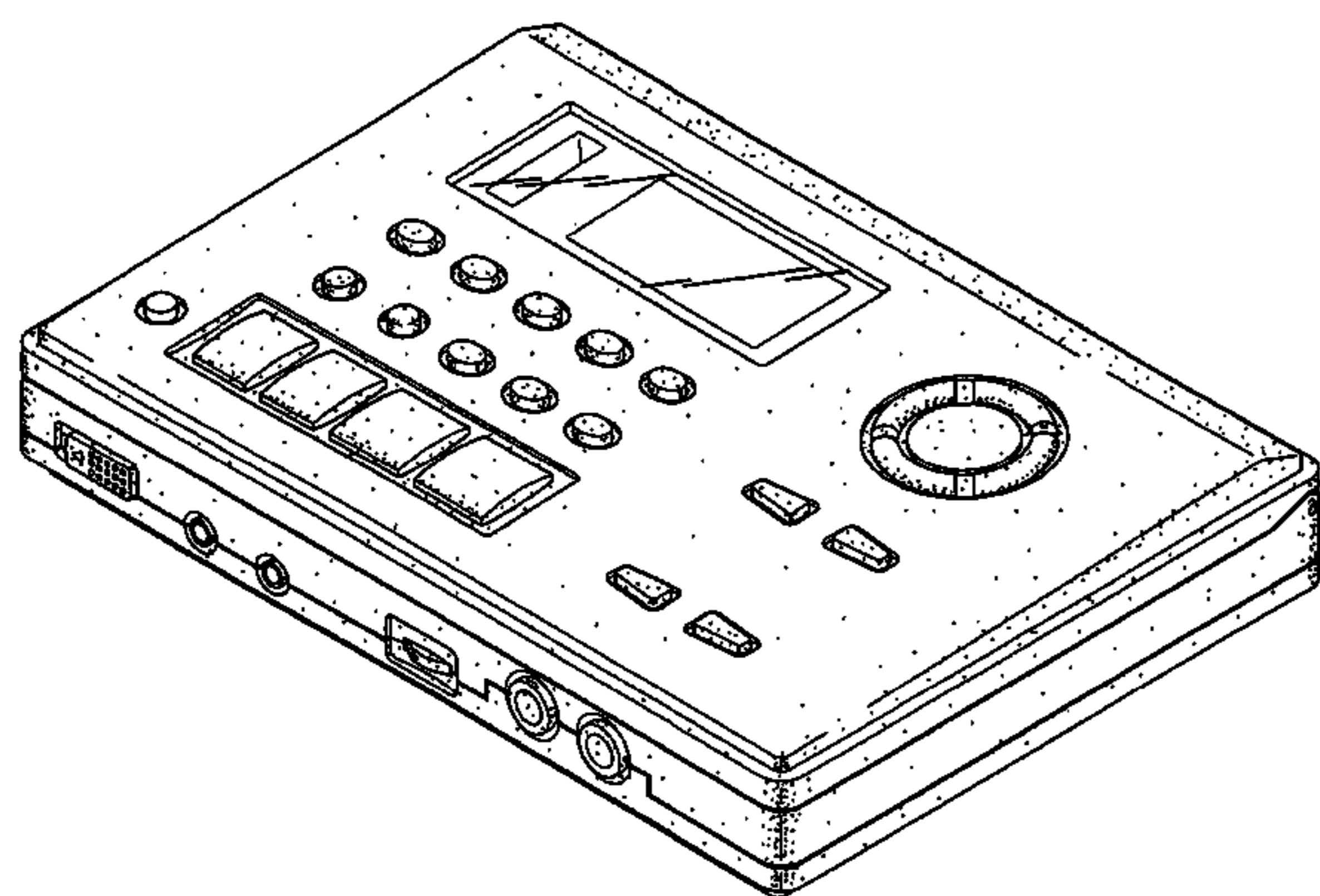


Fig. 1

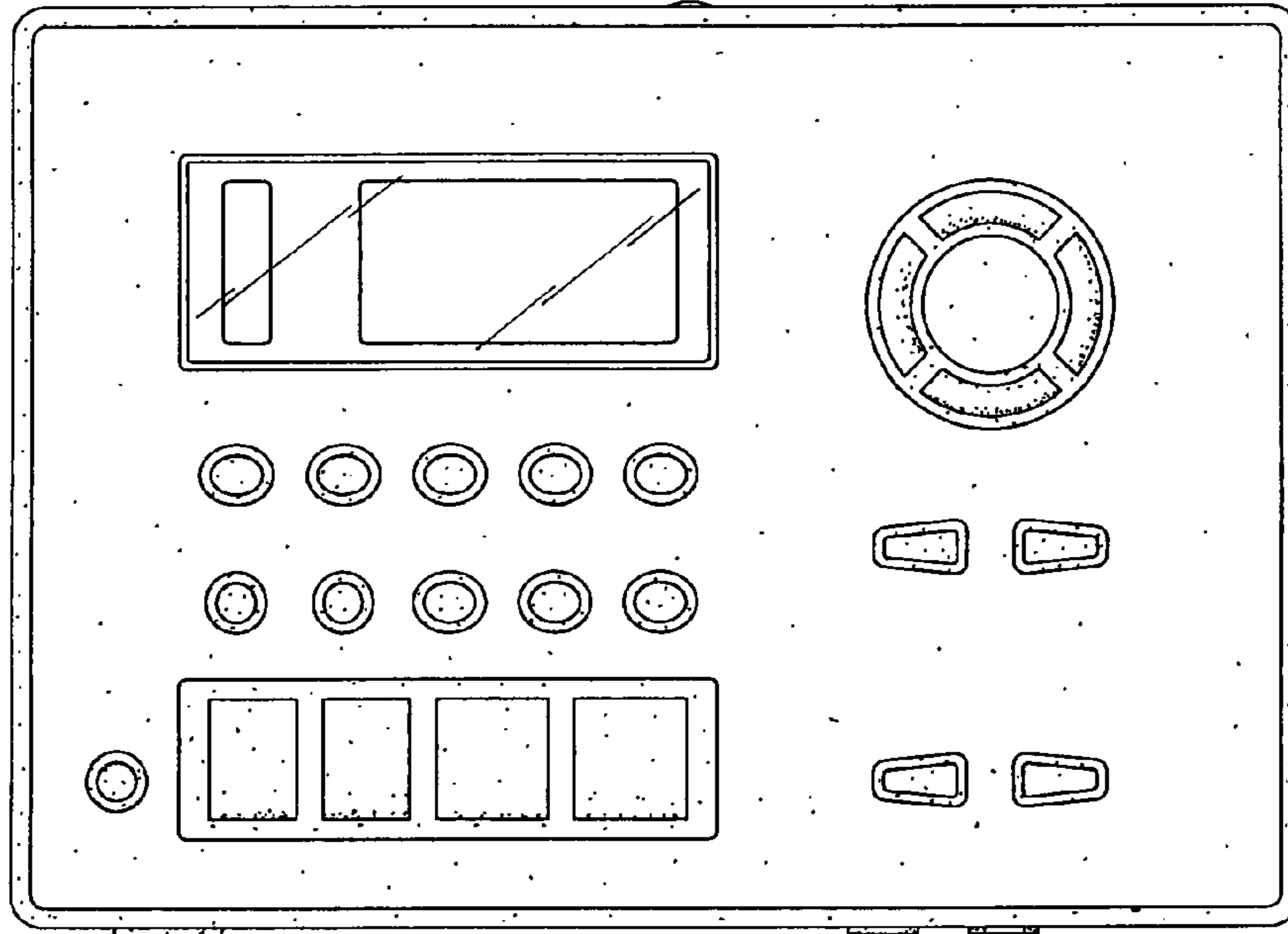


Fig. 2

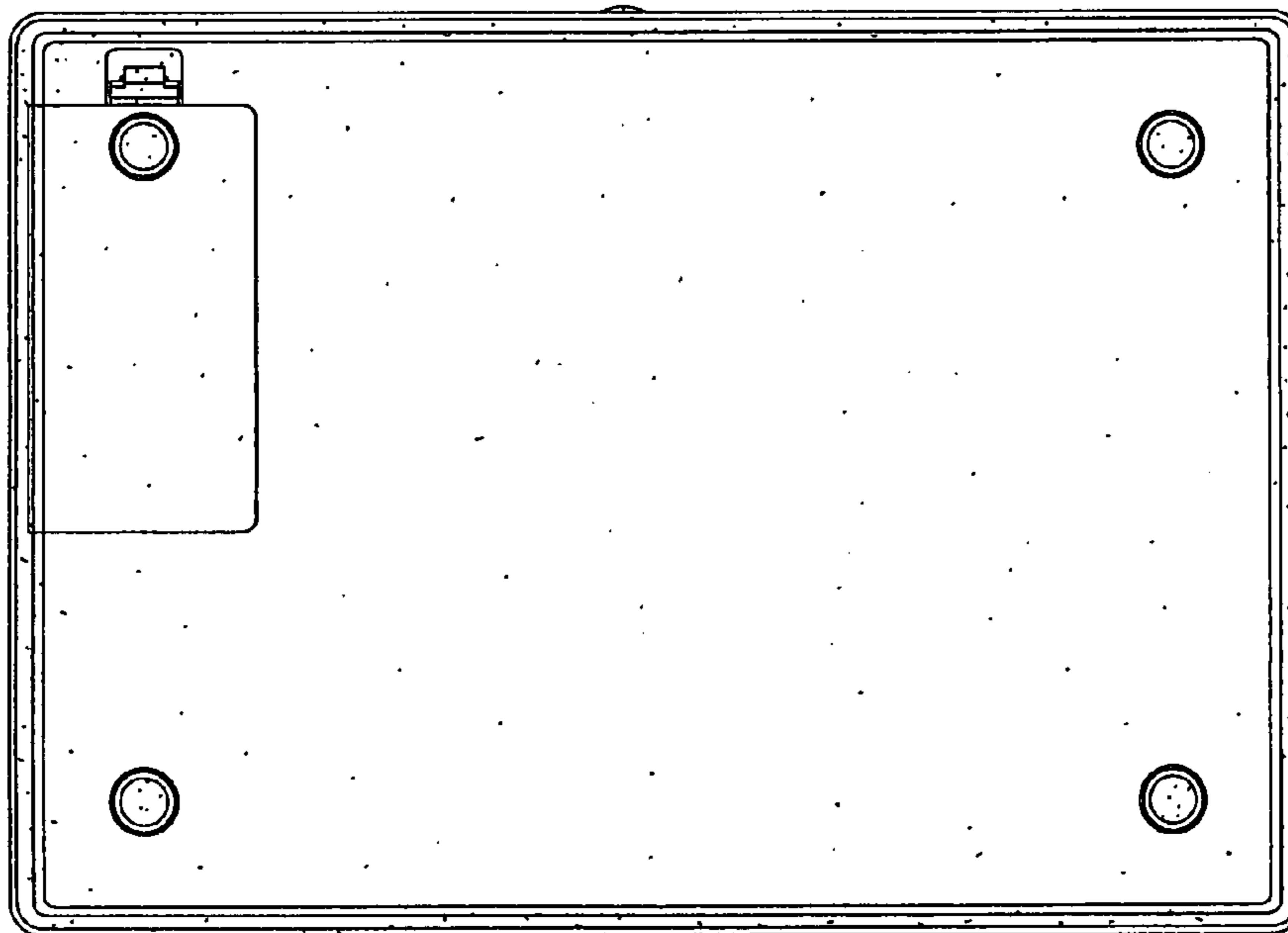


Fig. 3

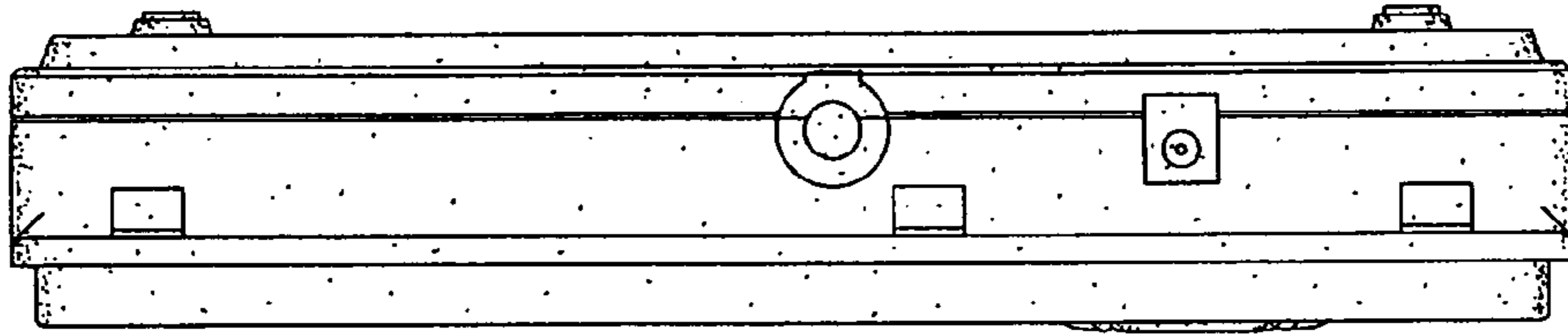


Fig. 4

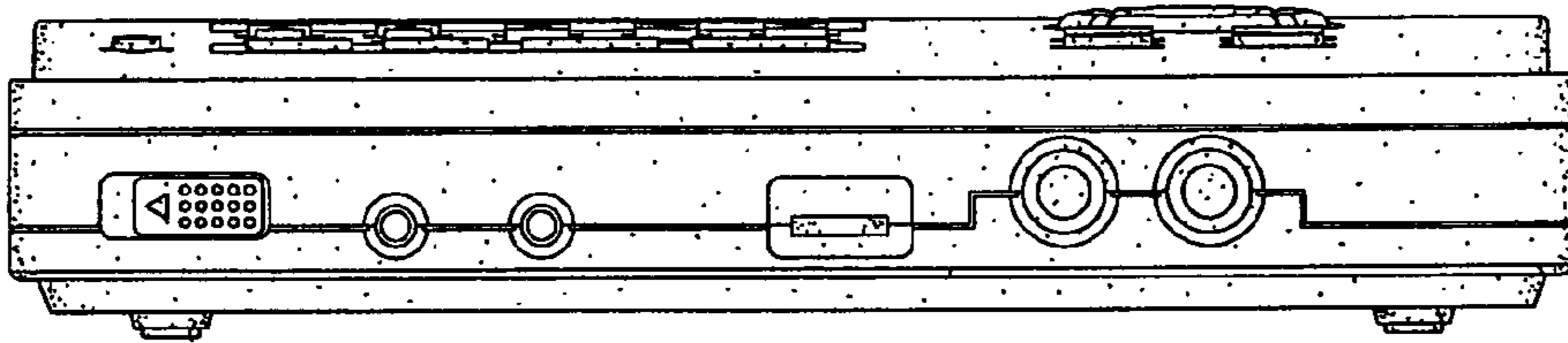


Fig. 5

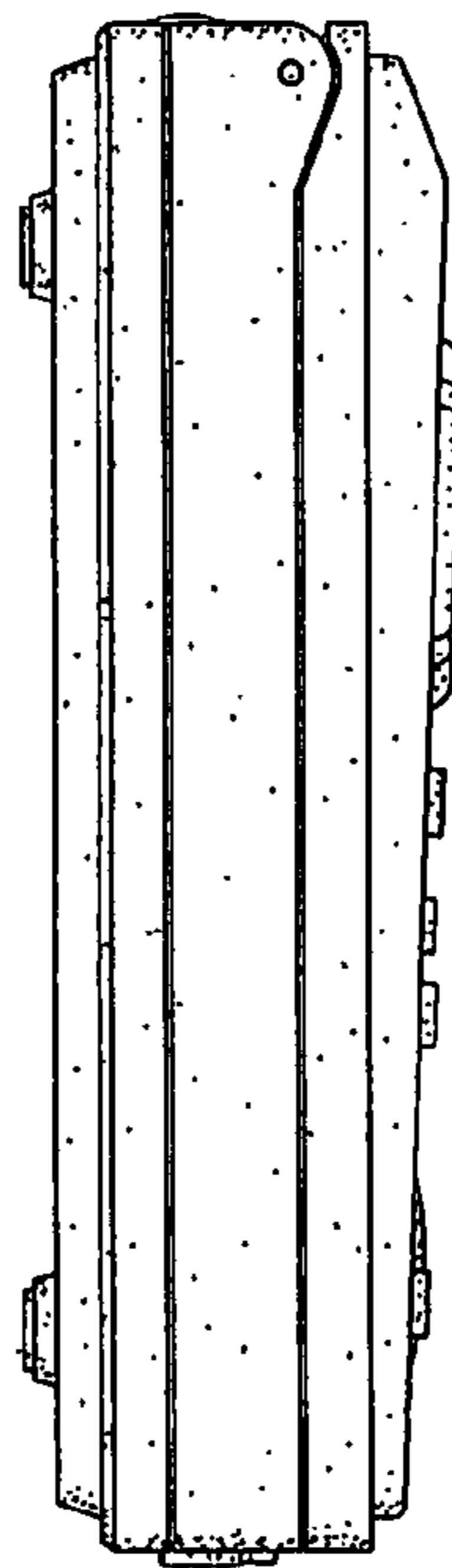


Fig. 6

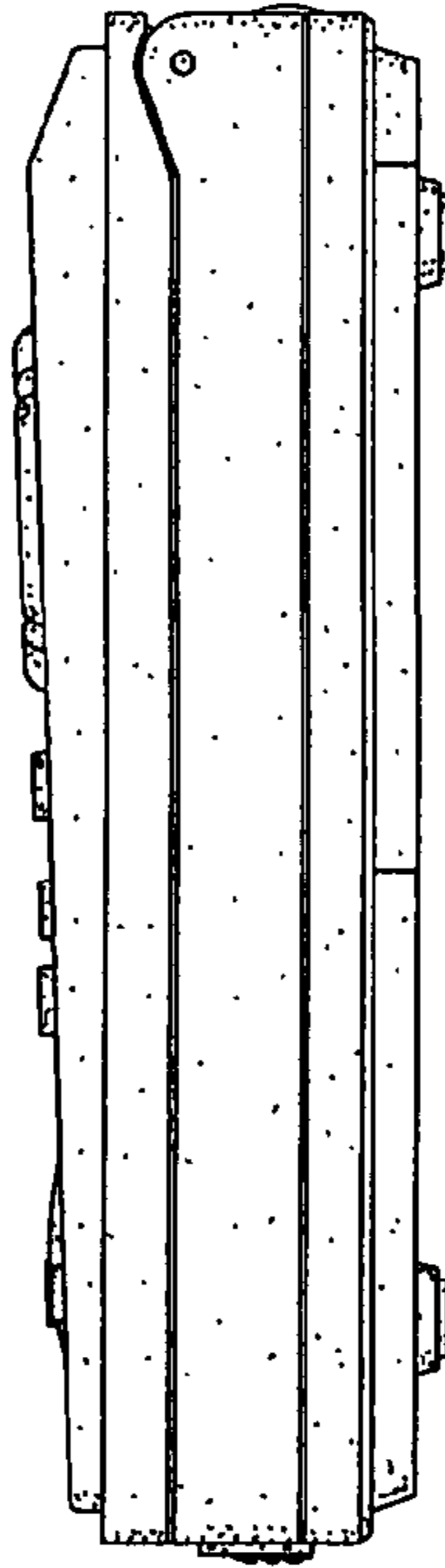


Fig. 7

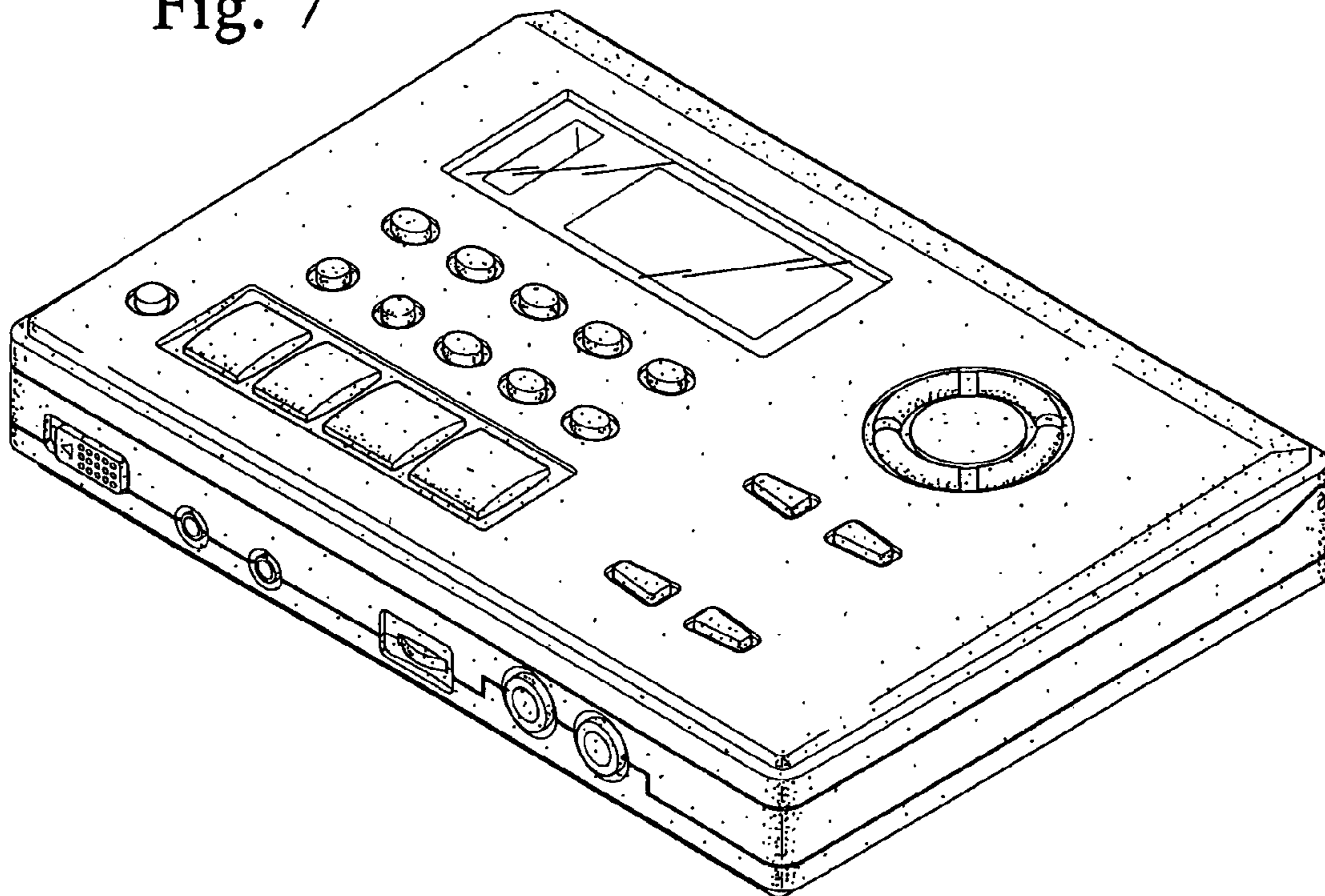




Fig. 8

