



US00D576601S

(12) **United States Design Patent**
Yasuda et al.

(10) **Patent No.:** **US D576,601 S**
(45) **Date of Patent:** **** Sep. 9, 2008**

(54) **MOBILE PHONE**

(75) Inventors: **Tomohiro Yasuda**, Kadoma (JP);
Hiromitsu Kimura, Kadoma (JP);
Masayuki Haruta, Tokyo (JP)

(73) Assignee: **Matsushita Electric Industrial Co., Ltd.**, Osaka (JP)

(**) Term: **14 Years**

(21) Appl. No.: **29/302,498**

(22) Filed: **Jan. 17, 2008**

(30) **Foreign Application Priority Data**

Jul. 19, 2007 (JP) 2007-019647

(51) **LOC (8) Cl.** **14-03**

(52) **U.S. Cl.** **D14/138**

(58) **Field of Classification Search** D14/138,
D14/496, 341-347; 455/575.3, 575.1
See application file for complete search history.

(56) **References Cited**

U.S. PATENT DOCUMENTS

5,260,998	A *	11/1993	Takagi	379/433.13
D352,503	S *	11/1994	Nagele	D14/138
D430,566	S *	9/2000	Chu et al.	D14/345
D449,605	S *	10/2001	Schebesch et al.	D14/345
6,505,036	B2 *	1/2003	Zilberberg et al.	455/117
6,628,970	B2 *	9/2003	Nishiyama et al.	455/564
D536,320	S *	2/2007	Michaels	D14/138
D541,782	S	5/2007	Kim et al.		

(Continued)

OTHER PUBLICATIONS

Samsung P110 telephone, announced Feb. 2007, [online], [site visited Jun. 5, 2008]. Available from Internet ,<URL: <http://www.gsmarena.com>>.*

Samsung E870 telephone, announced 1st quarter 2006, [online], [site visited Jun. 5, 2008]. Available from Internet ,<URL: <http://www.gsmarena.com>>.*

(Continued)

Primary Examiner—Jeffrey D Asch

(74) *Attorney, Agent, or Firm*—Brinks Hofer Gilson & Lione

(57) **CLAIM**

We claim the ornamental design for a mobile phone, as shown and described.

DESCRIPTION

FIG. 1 is a front perspective view of a mobile phone of the present invention;

FIG. 2 is a front view thereof;

FIG. 3 is a right side view thereof, the left side view being a mirror image thereof;

FIG. 4 is a rear view thereof;

FIG. 5 is a top view thereof;

FIG. 6 is a bottom view thereof;

FIG. 7 is a right side perspective view thereof shown in a closed position;

FIG. 8 is a front perspective view thereof shown in transition to an alternate state;

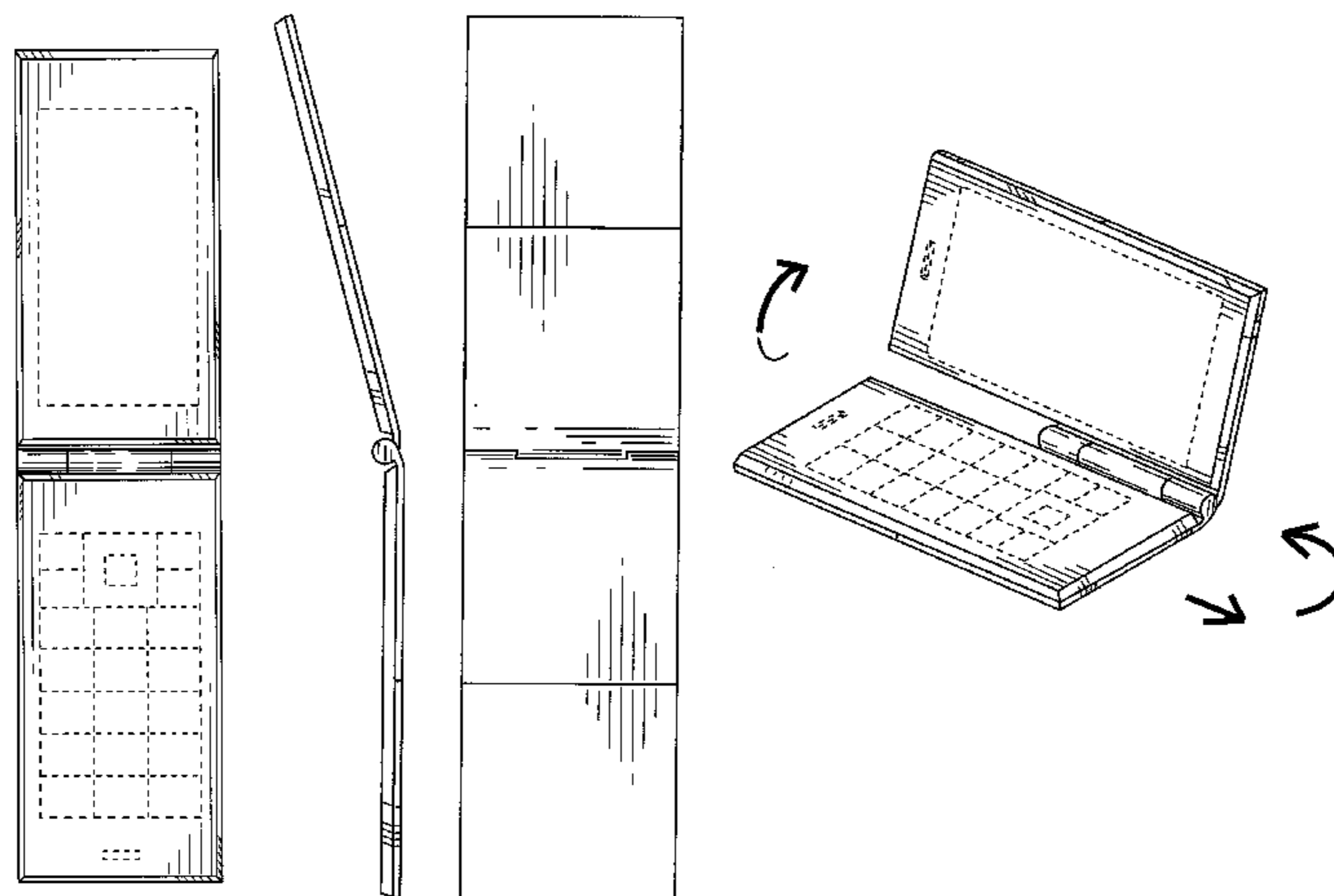
FIG. 9 is a right side perspective view thereof shown in a closed position of an alternate state;

FIG. 10 is a front perspective view thereof shown in an opened position of an alternate state; and,

FIG. 11 is a rear perspective view thereof shown in the original state.

The broken lines throughout the views, which are immediately adjacent to the shaded areas and define unshaded regions, represent the bounds of the claimed design, while all other broken lines are directed to environment and are for illustrative purposes only; the broken lines form no part of the claimed design.

1 Claim, 5 Drawing Sheets



US D576,601 S

Page 2

U.S. PATENT DOCUMENTS

D542,759 S	5/2007	Kim et al.	
D543,169 S	5/2007	Kim et al.	
D544,852 S *	6/2007	Takamori et al.	D14/138
D545,287 S	6/2007	Han et al.	
D545,795 S	7/2007	Kim et al.	
D546,307 S	7/2007	Lee	
D546,795 S	7/2007	Kim et al.	
D547,293 S	7/2007	Kim et al.	
D548,213 S	8/2007	Lee et al.	
D551,643 S *	9/2007	Kim et al.	D14/138
D551,646 S	9/2007	Kim et al.	
D551,648 S	9/2007	Kim et al.	
D552,064 S	10/2007	Kim et al.	
D552,066 S	10/2007	Kim et al.	
D553,113 S	10/2007	Cha et al.	
D553,599 S	10/2007	Lee et al.	
D558,721 S *	1/2008	Cha et al.	D14/138
D558,723 S *	1/2008	Lee et al.	D14/138
D559,825 S *	1/2008	Park et al.	D14/138
D560,637 S *	1/2008	Yang et al.	D14/138
D560,640 S *	1/2008	Suk et al.	D14/138
D561,728 S *	2/2008	Kim et al.	D14/138
D564,484 S *	3/2008	Russell et al.	D14/138
D567,207 S *	4/2008	Kim et al.	D14/138
D568,281 S *	5/2008	Lee	D14/138
D568,283 S *	5/2008	Kim et al.	D14/138
2005/0113156 A1 *	5/2005	Park et al.	455/575.4
2005/0245296 A1 *	11/2005	Hong et al.	455/575.3
2006/0135225 A1 *	6/2006	Lin et al.	455/575.3
2007/0004475 A1 *	1/2007	Kuo et al.	455/575.3
2007/0191077 A1 *	8/2007	Shin	455/575.3
2008/0039158 A1 *	2/2008	Park et al.	455/575.3

OTHER PUBLICATIONS

Sharp 903 telephone, announced Jul. 2005, [online], [site visited Jun. 5, 2008]. Available from Internet ,<URL: <http://www.gsmarena.com>>.*

Toshiba TS10 telephone, announced 3rd quarter 2005, [online], [site visited Jun. 5, 2008]. Available from Internet ,<URL: <http://www.gsmarena.com>>.*

NEC e949/L1 telephone, announced 2nd quarter 2005, [online], [site visited Jun. 5, 2008]. Available from Internet ,<URL: <http://www.gsmarena.com>>.*

Pantech PG-2800 telephone, announced May 2006, [online], [site visited Jun. 5, 2008]. Available from Internet ,<URL: <http://www.gsmarena.com>>.*

* cited by examiner

FIG.1

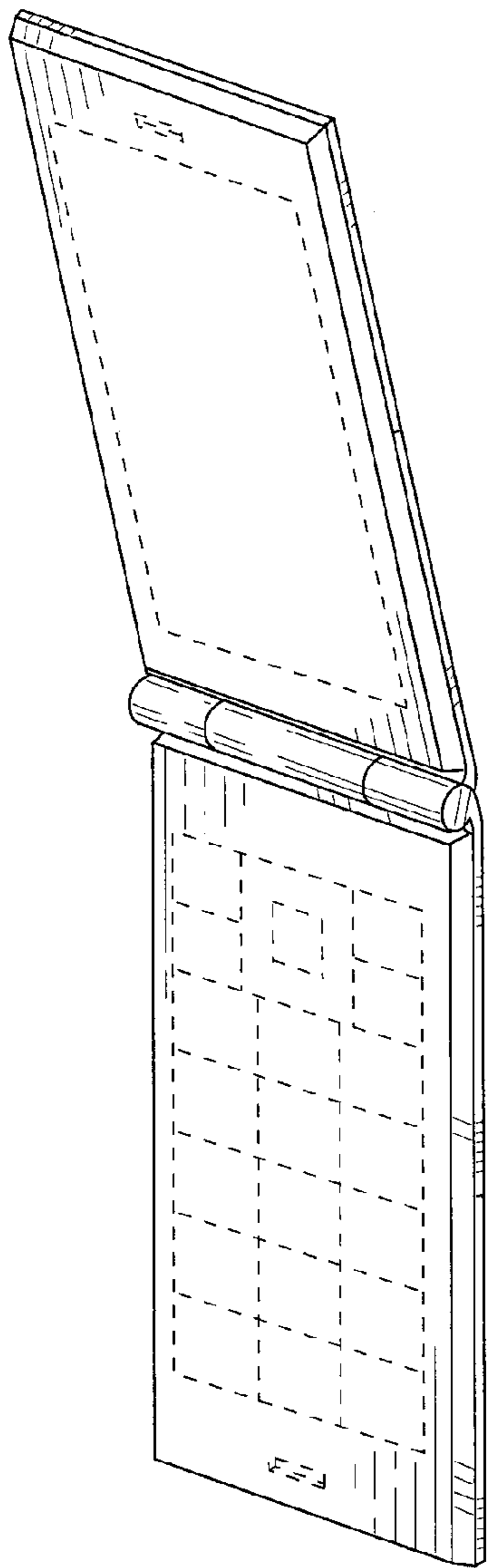


FIG.2

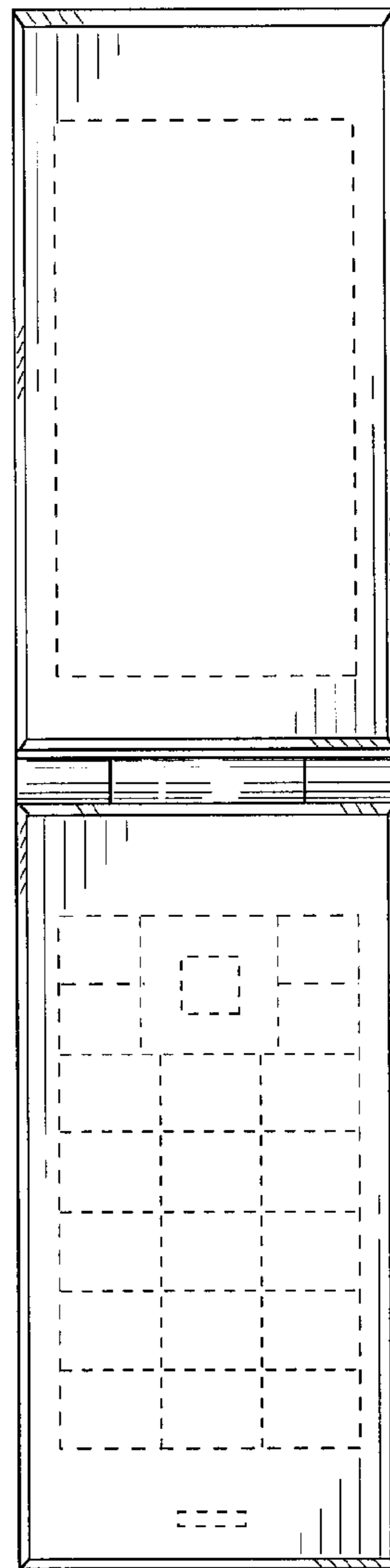


FIG.3

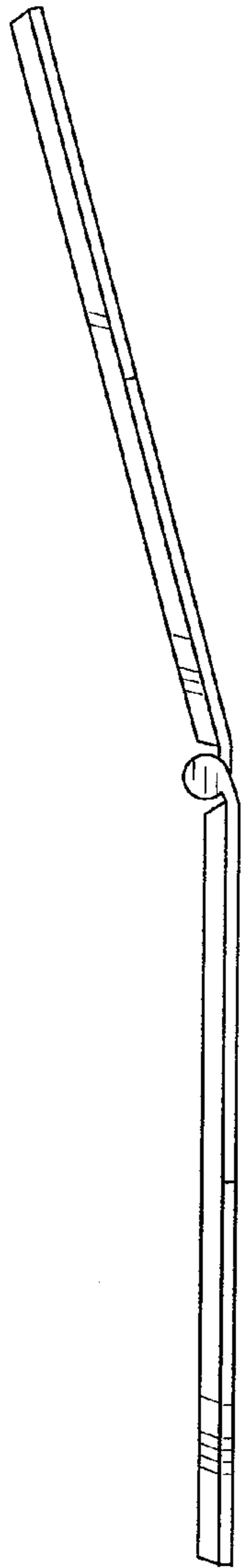


FIG.4

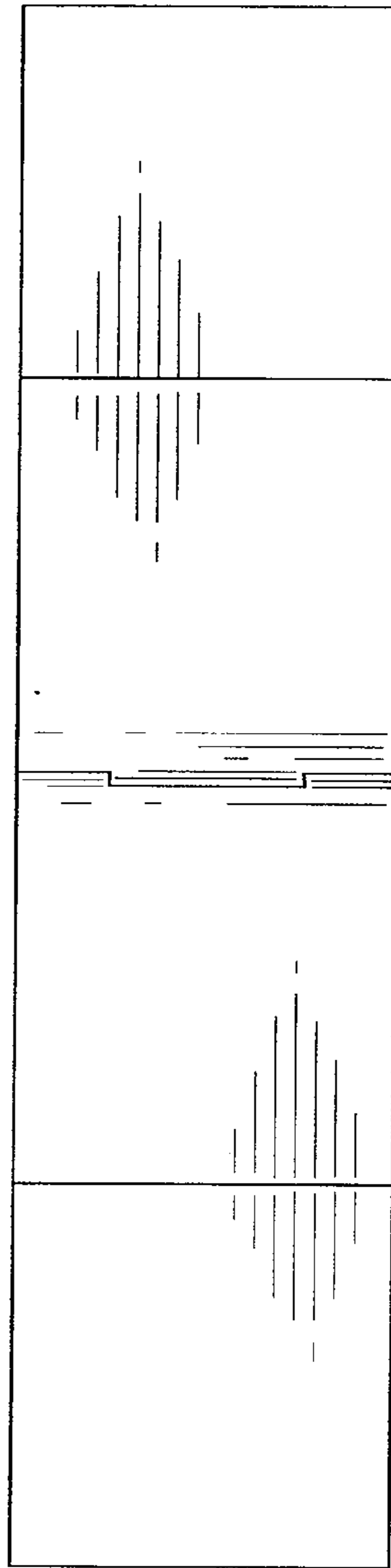


FIG.5

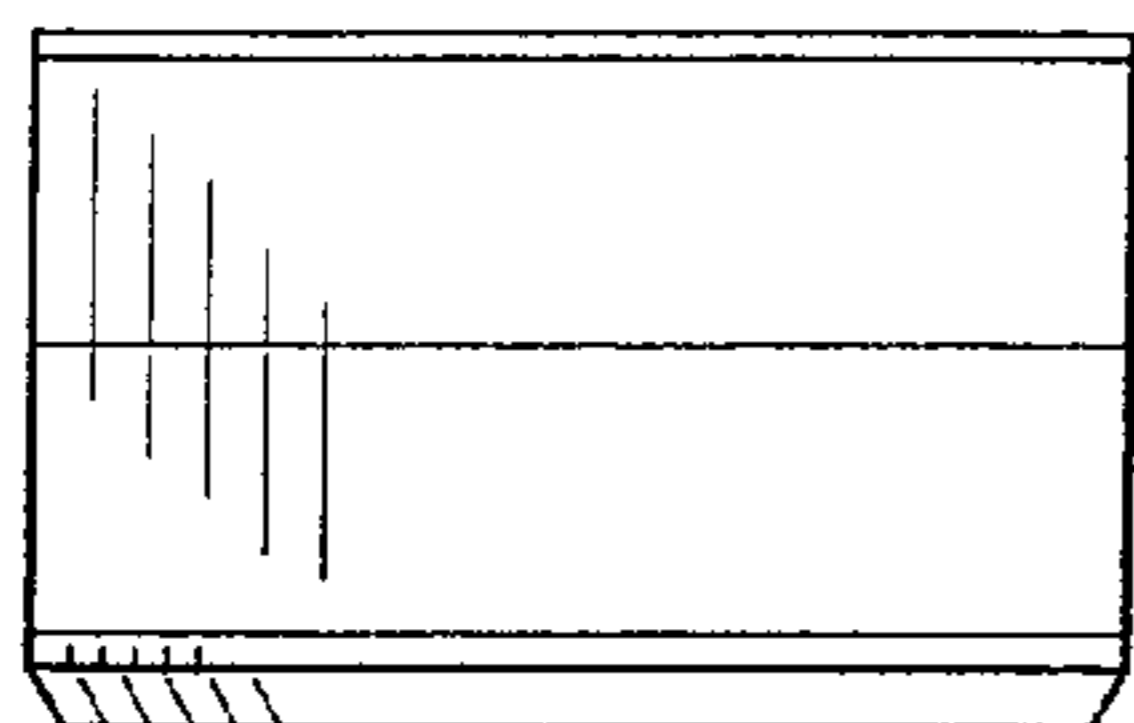


FIG.6

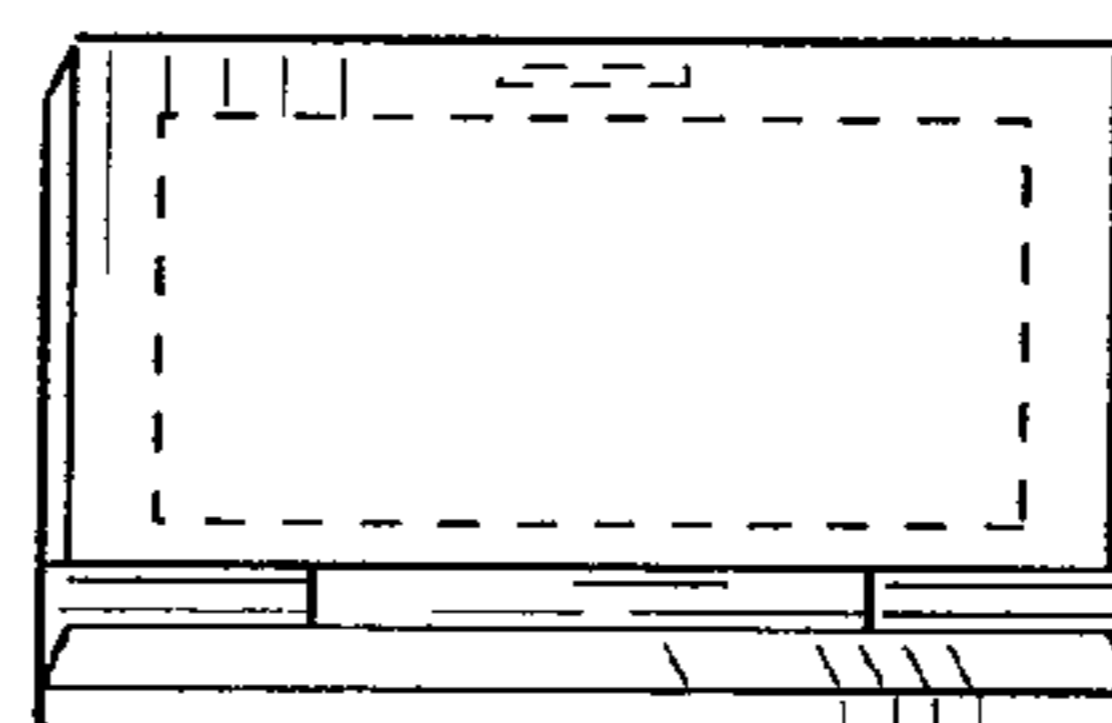


FIG.7

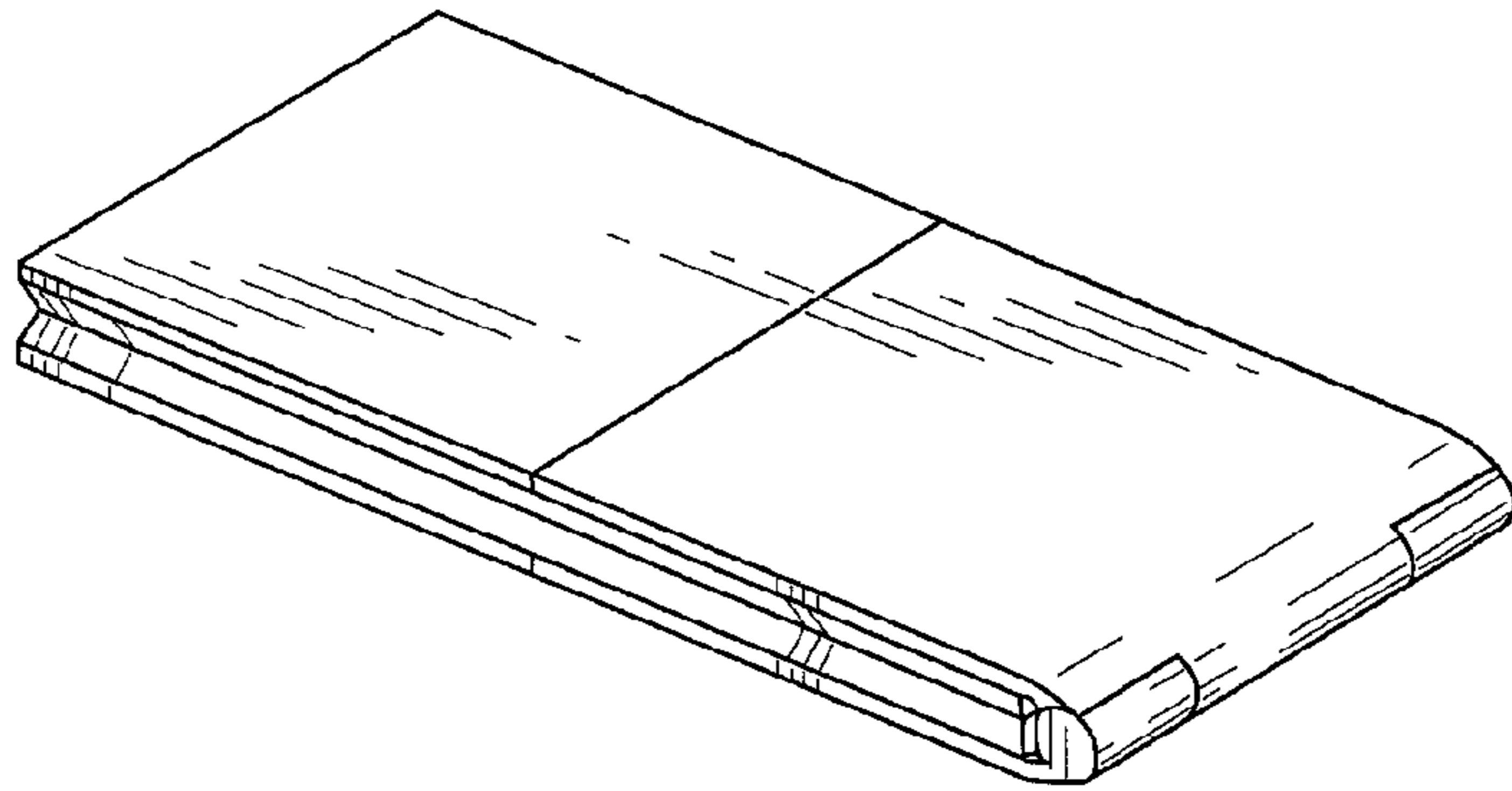


FIG.8

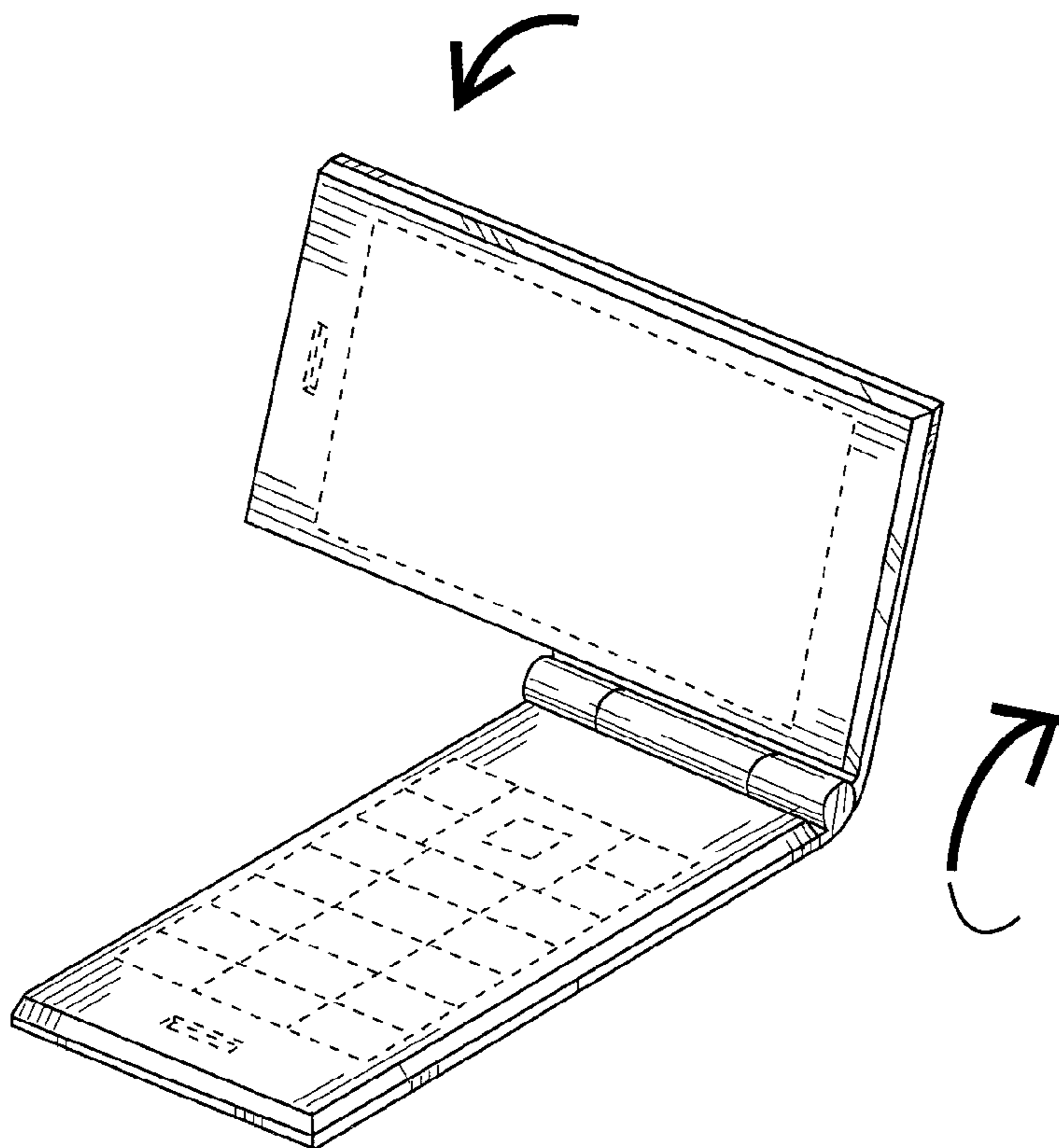


FIG.9

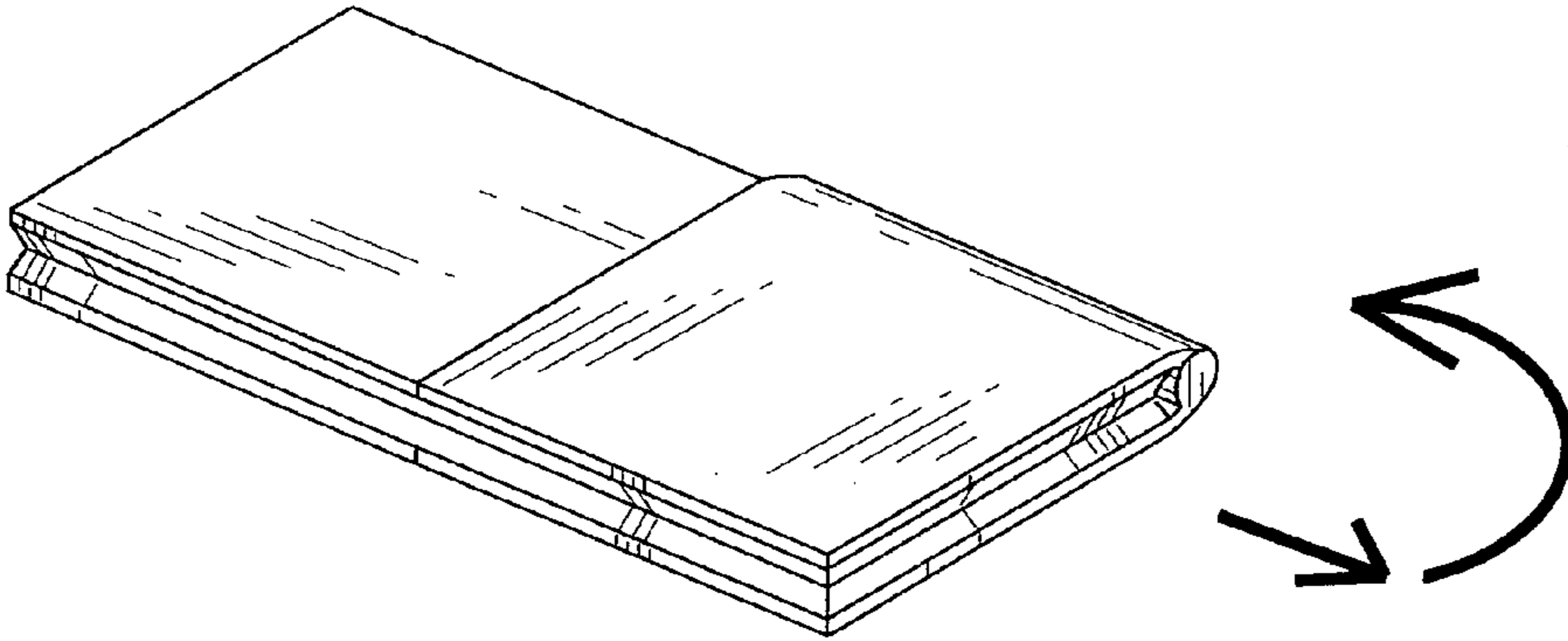


FIG.10

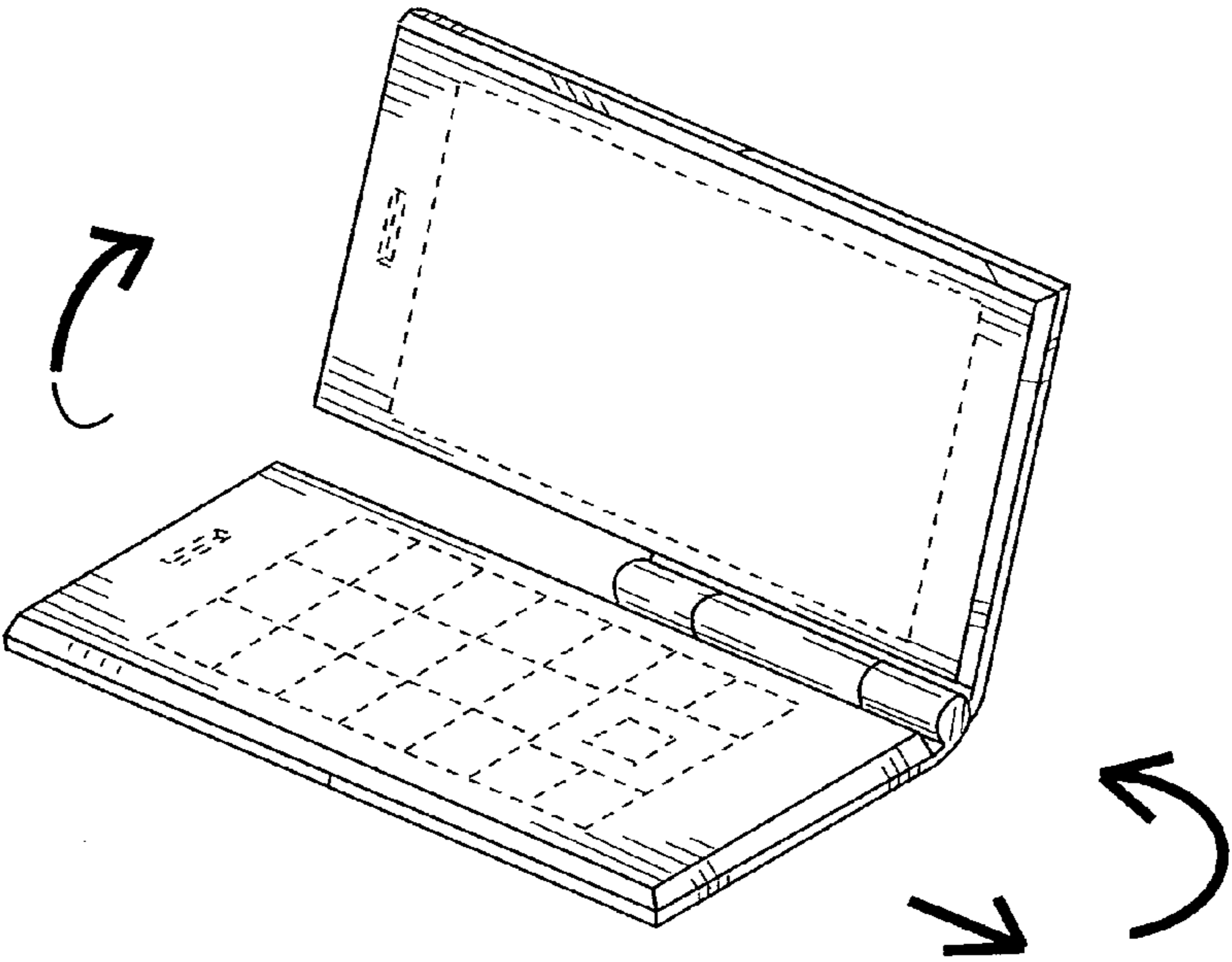


FIG. 11

