



US00D576597S

(12) **United States Design Patent**
Lim et al.

(10) **Patent No.:** **US D576,597 S**
(45) **Date of Patent:** **** Sep. 9, 2008**

(54) **MOBILE PHONE**

(75) Inventors: **Ji-Hyoun Lim**, Seoul (KR); **Seung-Min Park**, Seoul (KR); **Chang-Hwan Hwang**, Goyang-si (KR)

(73) Assignee: **Samsung Electronics Co., Ltd.**, Suwon-Si (KR)

(**) Term: **14 Years**

(21) Appl. No.: **29/290,484**

(22) Filed: **Dec. 10, 2007**

(30) **Foreign Application Priority Data**

Oct. 26, 2007 (KR) 30-2007-0044746

(51) **LOC (8) Cl.** **14-03**

(52) **U.S. Cl.** **D14/138**

(58) **Field of Classification Search** D14/138,
D14/496, 341-347; 455/575.3, 575.1
See application file for complete search history.

(56) **References Cited**

U.S. PATENT DOCUMENTS

D455,135 S *	4/2002	Hyun	D14/138
D468,713 S *	1/2003	Lee et al.	D14/138
D485,816 S *	1/2004	Tanaka	D14/138
D491,548 S *	6/2004	Cho	D14/138
D491,906 S *	6/2004	Okamatsu	D14/138
D494,948 S *	8/2004	Cho	D14/138
D496,635 S *	9/2004	Lodato et al.	D14/138
D498,223 S *	11/2004	Ho et al.	D14/138
D506,453 S *	6/2005	Choi et al.	D14/138
D510,080 S *	9/2005	Kim et al.	D14/138
D511,509 S *	11/2005	Kim et al.	D14/138
D519,481 S *	4/2006	Nara	D14/138
D535,271 S *	1/2007	Liang	D14/138
D542,255 S *	5/2007	Hong et al.	D14/138
D545,798 S *	7/2007	Kimbire	D14/138
D551,639 S *	9/2007	Kim	D14/138
D556,719 S *	12/2007	Lee	D14/138
D563,928 S *	3/2008	Sugioka	D14/138
D565,004 S *	3/2008	Oh et al.	D14/138

D565,007 S *	3/2008	Nara	D14/138
D566,078 S *	4/2008	Nara	D14/138
D566,084 S *	4/2008	Oh et al.	D14/138
D566,087 S *	4/2008	Choi	D14/138
D566,670 S *	4/2008	Huang	D14/138
D566,675 S *	4/2008	Lee	D14/138
2004/0174430 A1 *	9/2004	Sawahara et al.	348/14.02
2004/0185924 A1 *	9/2004	Hwang et al.	455/575.3
2005/0233784 A1 *	10/2005	You et al.	455/575.3

OTHER PUBLICATIONS

Motorola E895 telephone, announced Jun. 2005, [online], [site visited May 7, 2008]. Available from Internet ,<URL: <http://www.gsmarena.com>>.*

(Continued)

Primary Examiner—Jeffrey D Asch
(74) *Attorney, Agent, or Firm*—Staas & Halsey LLP

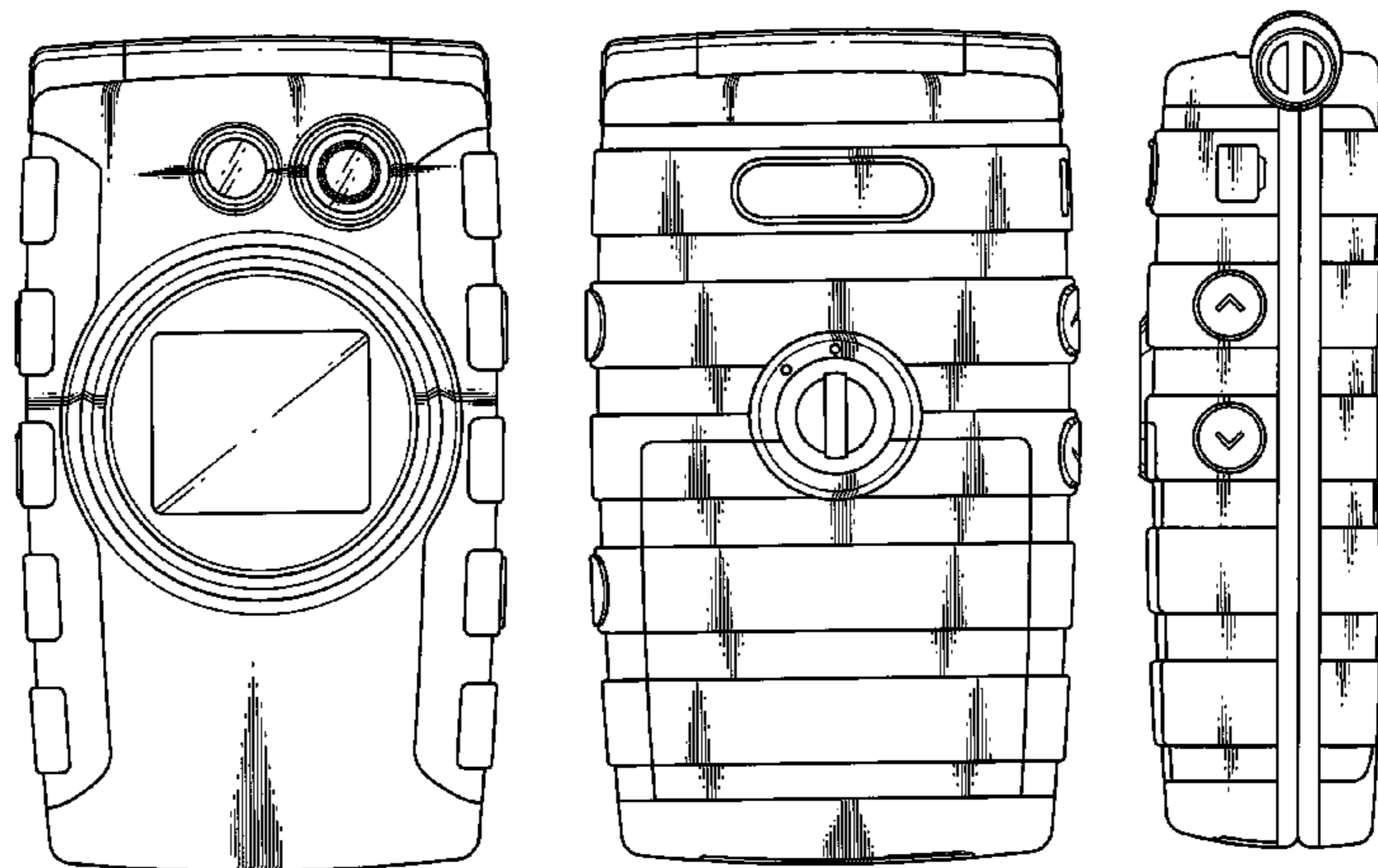
(57) **CLAIM**

The ornamental design for a mobile phone, as shown and described.

DESCRIPTION

FIG. 1 is a perspective view of a mobile phone;
FIG. 2 is a front view of the mobile phone of FIG. 1;
FIG. 3 is a rear view of the mobile phone of FIG. 1;
FIG. 4 is a left-side view of the mobile phone of FIG. 1;
FIG. 5 is a right-side view of the mobile phone of FIG. 1;
FIG. 6 is a top plan view of the mobile phone of FIG. 1; and,
FIG. 7 is a bottom plan view of the mobile phone of FIG. 1.

1 Claim, 4 Drawing Sheets



OTHER PUBLICATIONS

Sony Ericsson W710 telephone, announced May 2006, [online], [site visited May 7, 2008]. Available from Internet ,<URL: <http://www.gsmarena.com>>.*

Sony Ericsson Z300 telephone, announced Nov. 2005, [online], [site visited May 7, 2008]. Available from Internet ,<URL: <http://www.gsmarena.com>>.*

i-mate Smartflip telephone, announced Feb. 2006, [online], [site visited May 7, 2008]. Available from Internet ,<URL: <http://www.gsmarena.com>>.*

Philips 598 telephone, announced Mar. 2007, [online], [site visited May 7, 2008]. Available from Internet ,<URL: <http://www.gsmarena.com>>.*

Panasonic SA7 telephone, announced 1st quarter 2005, [online], [site visited May 7, 2008]. Available from Internet ,<URL: <http://www.gsmarena.com>>.*

NEC N500i telephone, announced Feb. 2006, [online], [site visited May 7, 2008]. Available from Internet ,<URL: <http://www.gsmarena.com>>.*

VK Mobile VK300 telephone, announced Jul. 2005, [online], [site visited May 7, 2008]. Available from Internet ,<URL: <http://www.gsmarena.com>>.*

VK Mobile VK520 telephone, announced 2nd quarter 2004, [online], [site visited May 7, 2008]. Available from Internet ,<URL: <http://www.gsmarena.com>>.*

VK Mobile VK500 telephone, announced 2nd quarter 2004, [online], [site visited May 7, 2008]. Available from Internet ,<URL: <http://www.gsmarena.com>>.*

* cited by examiner

FIG. 1

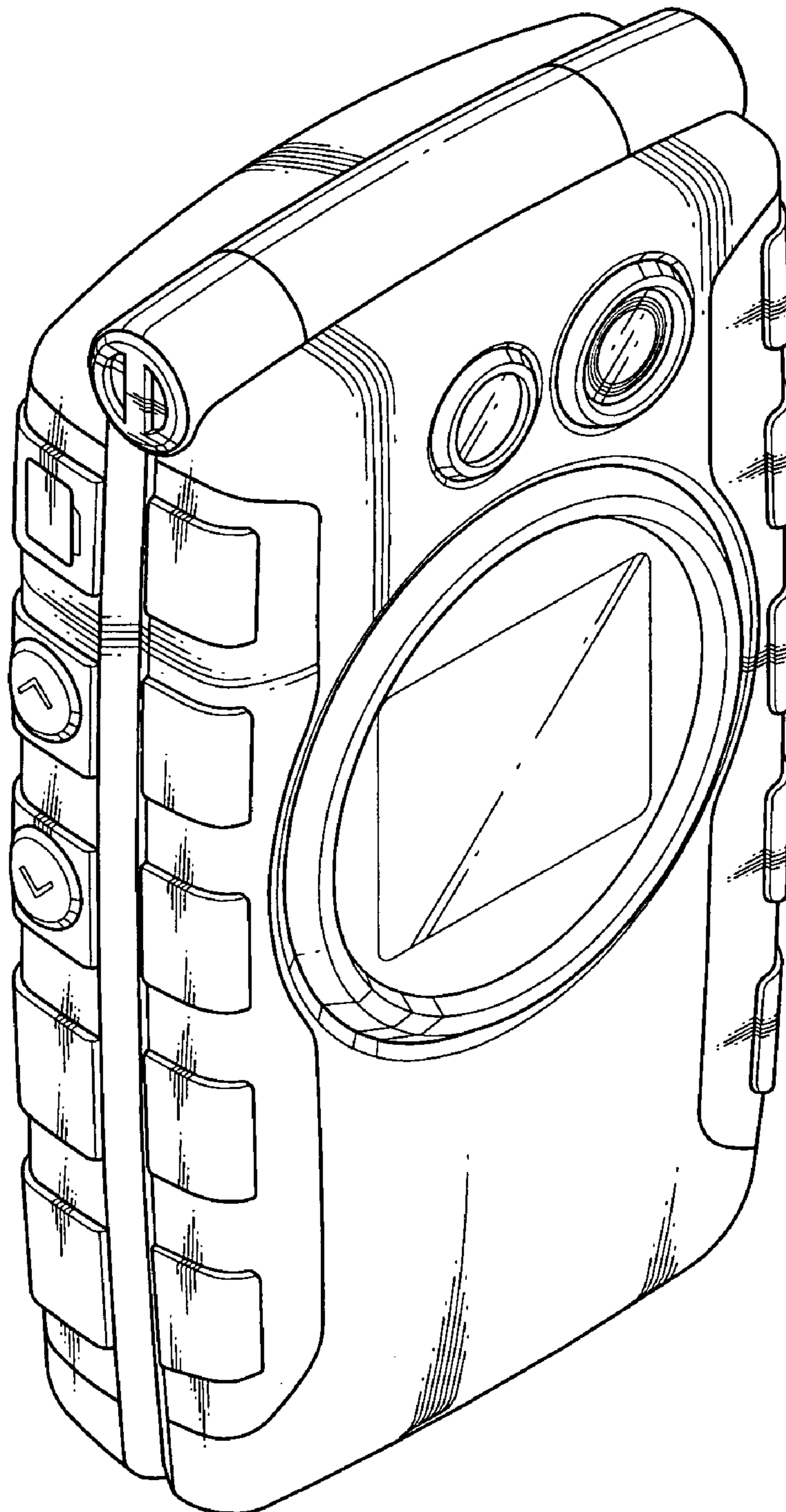


FIG. 2

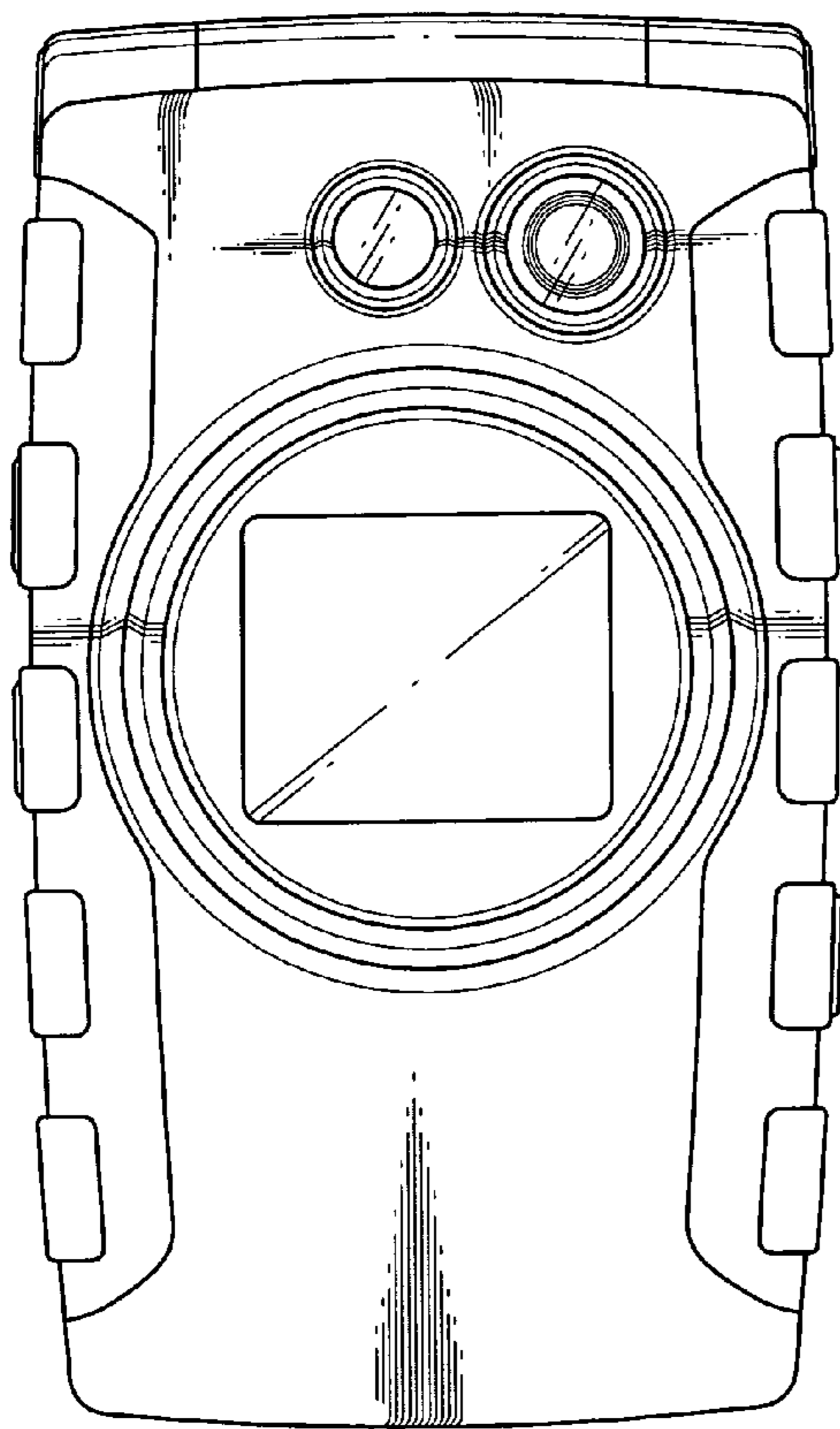


FIG. 3

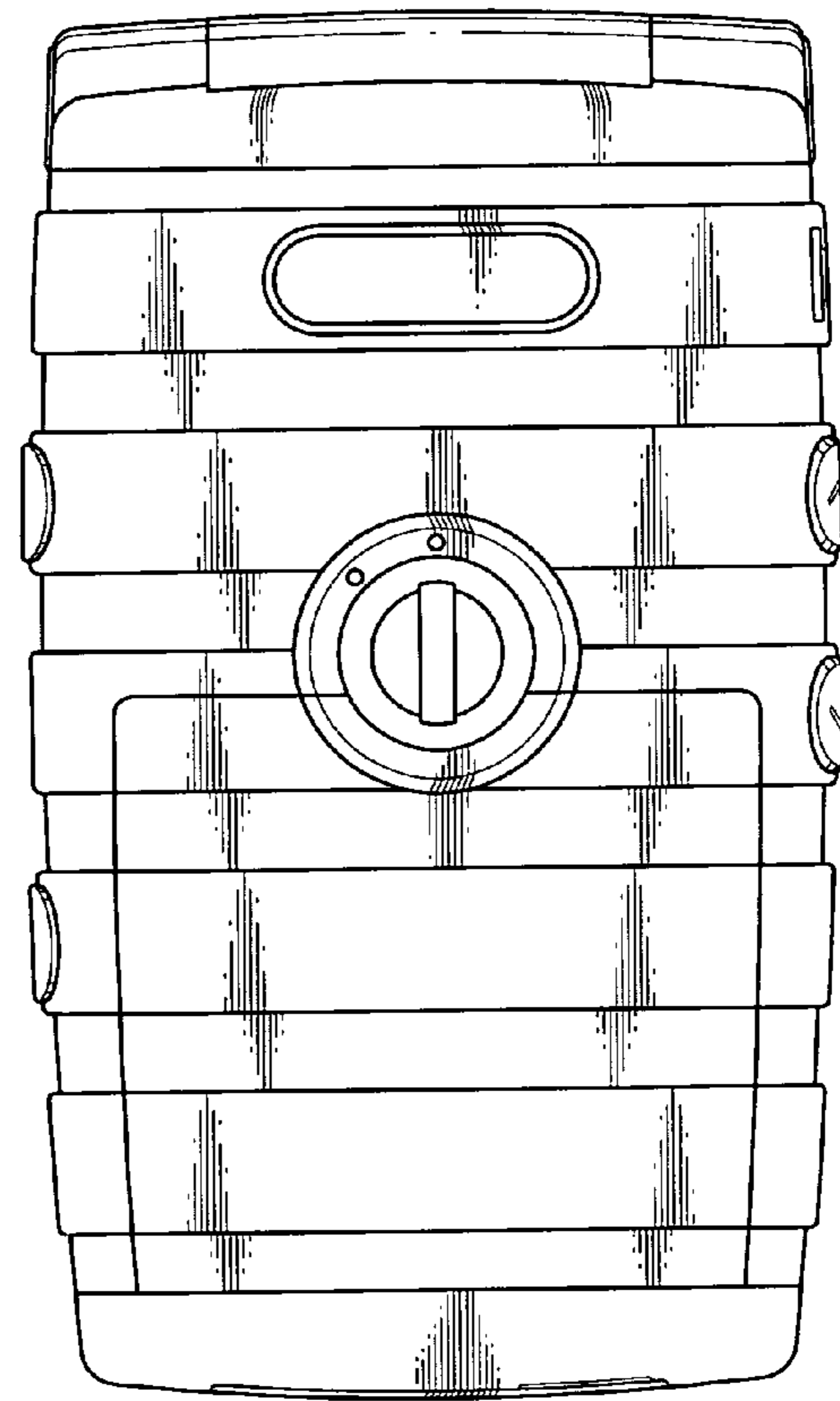


FIG. 4

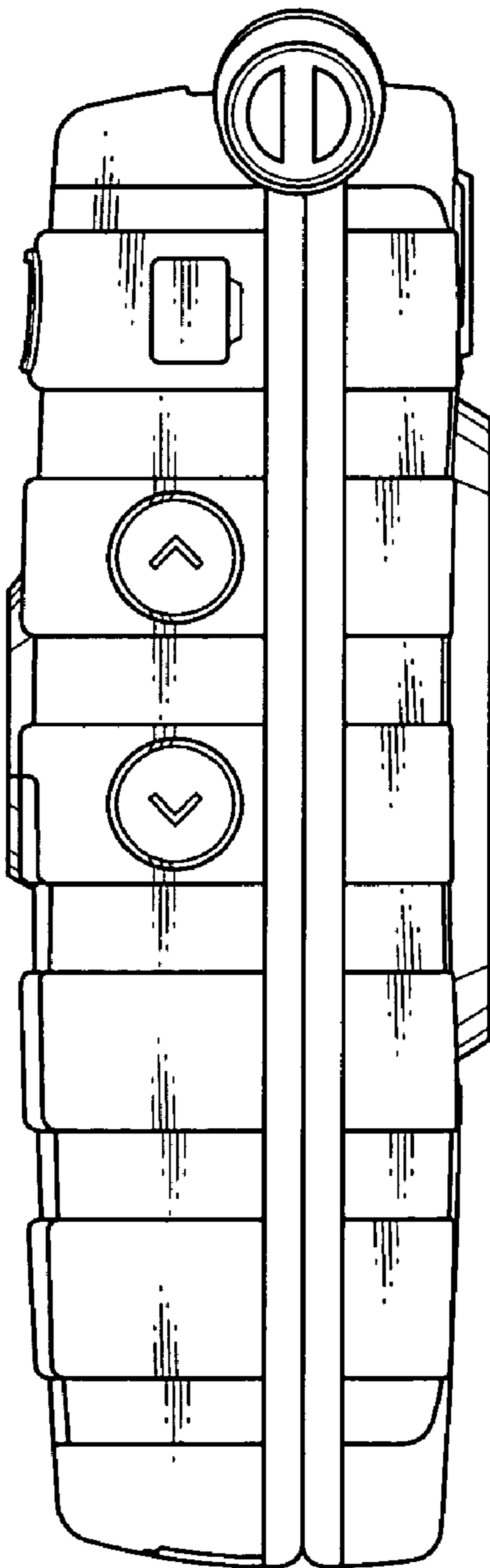


FIG. 5

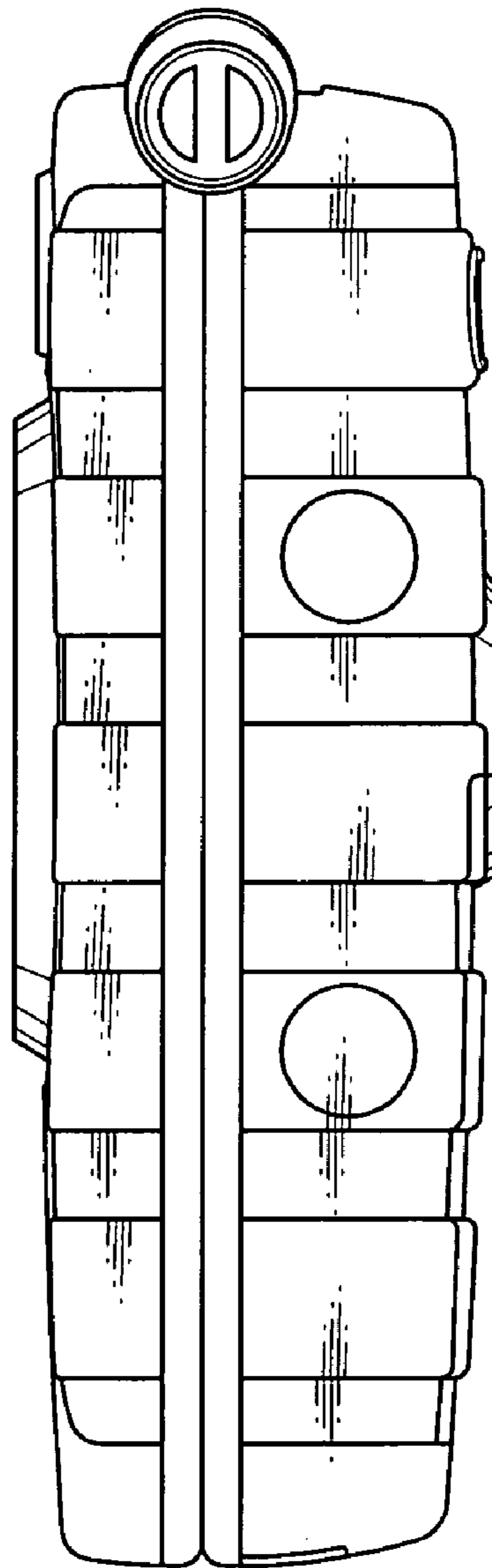


FIG. 6

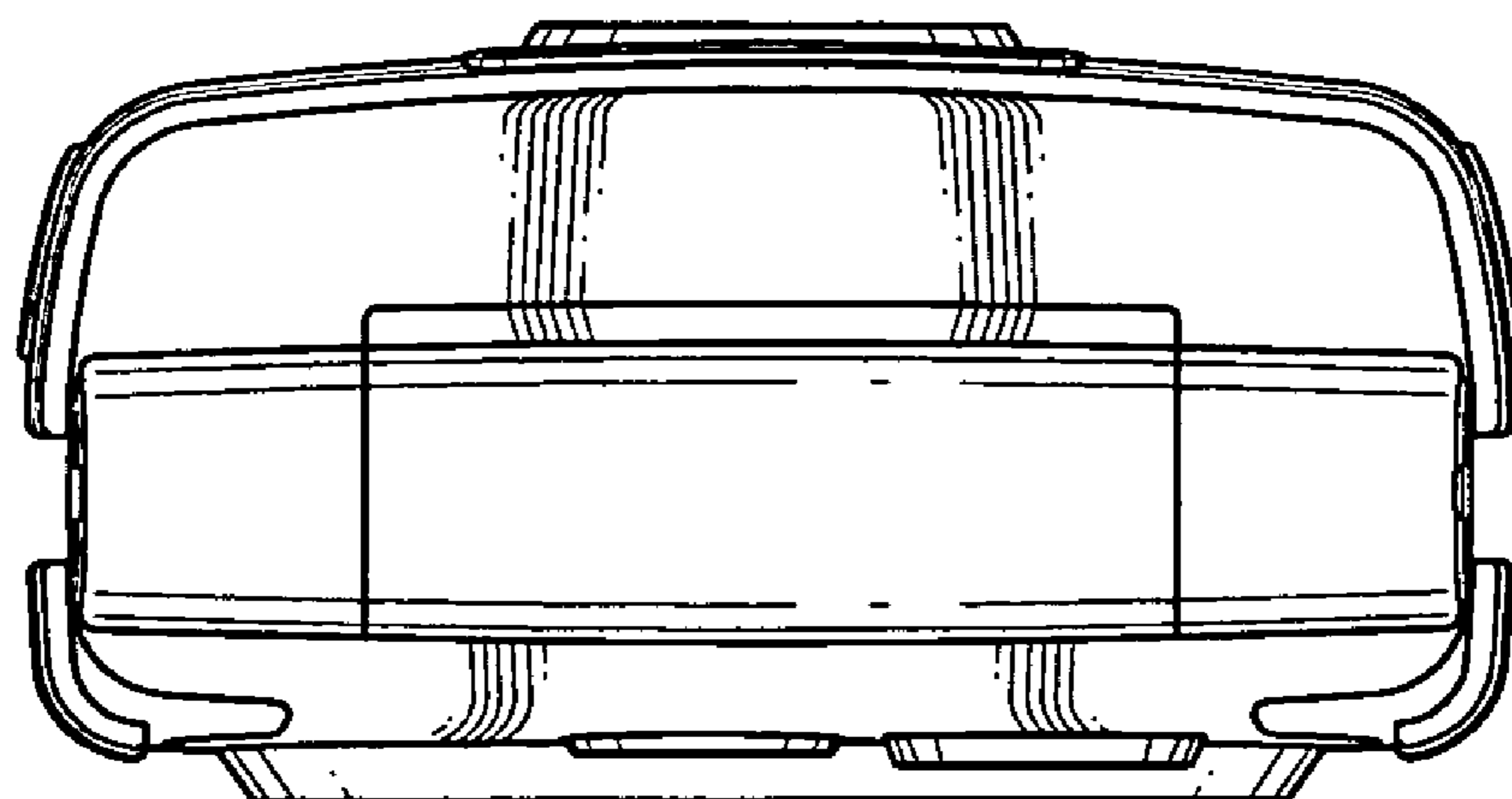


FIG. 7

