



US00D576596S

(12) **United States Design Patent**  
**Moon et al.**

(10) **Patent No.:** **US D576,596 S**  
(45) **Date of Patent:** **\*\* Sep. 9, 2008**

(54) **MOBILE PHONE**

(75) Inventors: **Yeo-Jin Moon**, Seoul (KR); **Joon-Suh Kim**, Anyang-si (KR); **Chang-Soo Lee**, Incheon (KR)

(73) Assignee: **Samsung Electronics Co., Ltd.**, Suwon-Si (KR)

(\*\*) Term: **14 Years**

(21) Appl. No.: **29/290,096**

(22) Filed: **Oct. 19, 2007**

(30) **Foreign Application Priority Data**

Jun. 4, 2007 (KR) ..... 30-2007-0023933

(51) **LOC (8) Cl.** ..... **14-03**

(52) **U.S. Cl.** ..... **D14/138**

(58) **Field of Classification Search** ..... D14/137, D14/138, 147, 191, 218, 247-248, 341-347, D14/496; D10/65, 78, 104; D13/168; D18/7; 455/556.1, 566, 575.1, 575.3; 345/169  
See application file for complete search history.

(56) **References Cited**

**U.S. PATENT DOCUMENTS**

D529,014 S *	9/2006	Kim et al.	.....	D14/138
D529,472 S *	10/2006	Kim et al.	.....	D14/138
D529,891 S *	10/2006	Hyun et al.	.....	D14/138
D549,682 S *	8/2007	Han et al.	.....	D14/138
D552,581 S *	10/2007	Lee et al.	.....	D14/138
D553,114 S *	10/2007	Baik et al.	.....	D14/138
D555,139 S *	11/2007	Kim et al.	.....	D14/138
D555,622 S *	11/2007	Chung et al.	.....	D14/138
D557,245 S *	12/2007	Kim et al.	.....	D14/138
D558,176 S *	12/2007	Lee et al.	.....	D14/138
D558,715 S *	1/2008	Lee et al.	.....	D14/138
D559,819 S *	1/2008	Kim et al.	.....	D14/138
D560,188 S *	1/2008	Lee et al.	.....	D14/138
D560,190 S *	1/2008	Lee et al.	.....	D14/138
D560,191 S *	1/2008	Choi et al.	.....	D14/138

D561,512 S *	2/2008	Park et al.	.....	D14/138
D561,725 S *	2/2008	Kim et al.	.....	D14/138
D562,280 S *	2/2008	Kim et al.	.....	D14/138
D562,294 S *	2/2008	Bang et al.	.....	D14/138
D562,298 S *	2/2008	Yoon	.....	D14/138
D562,792 S *	2/2008	Lee et al.	.....	D14/138
D563,353 S *	3/2008	Lee et al.	.....	D14/138
2005/0009581 A1 *	1/2005	Im et al.	.....	455/575.4
2005/0107126 A1 *	5/2005	Kim	.....	455/565
2006/0178176 A1 *	8/2006	Kwak et al.	.....	455/575.4
2008/0064439 A1 *	3/2008	Na	.....	455/556.1

**OTHER PUBLICATIONS**

Samsung D820, announced 4<sup>th</sup> quarter 2005, [online], [retrieved on Feb. 8, 2007]. Retrieved from Internet ,<URL: <http://www.gsmarena.com>>.\*

LG KG290, announced Sep. 2007, [online], [retrieved on Dec. 13, 2007]. Retrieved from Internet ,<URL: <http://www.gsmarena.com>>.\*

\* cited by examiner

*Primary Examiner*—Jeffrey D. Asch

*Assistant Examiner*—Bridget L Eland

(74) *Attorney, Agent, or Firm*—Staas & Halsey LLP

(57) **CLAIM**

The ornamental design for a mobile phone, as shown and described.

**DESCRIPTION**

FIG. 1 is a perspective view of a mobile phone;  
FIG. 2 is a front view of the mobile phone of FIG. 1;  
FIG. 3 is a rear view of the mobile phone of FIG. 1;  
FIG. 4 is left-side of the mobile phone of FIG. 1;  
FIG. 5 is right-side of the mobile phone of FIG. 1;  
FIG. 6 is top plan view of the mobile phone of FIG. 1;  
FIG. 7 is bottom plan view of the mobile phone of FIG. 1; and,  
FIG. 8 is an open perspective view of the mobile phone of FIG. 1.

**1 Claim, 6 Drawing Sheets**

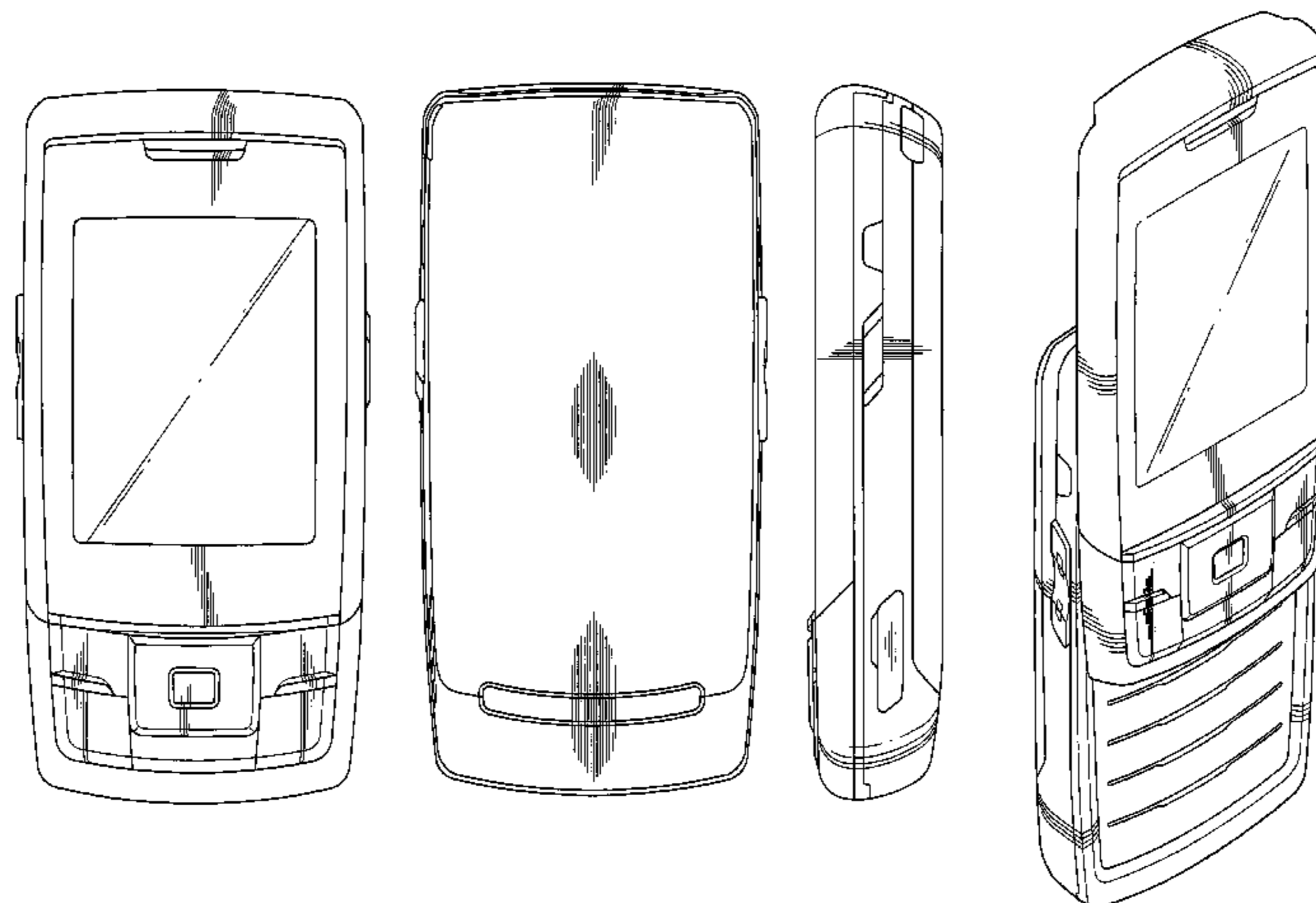


FIG. 1

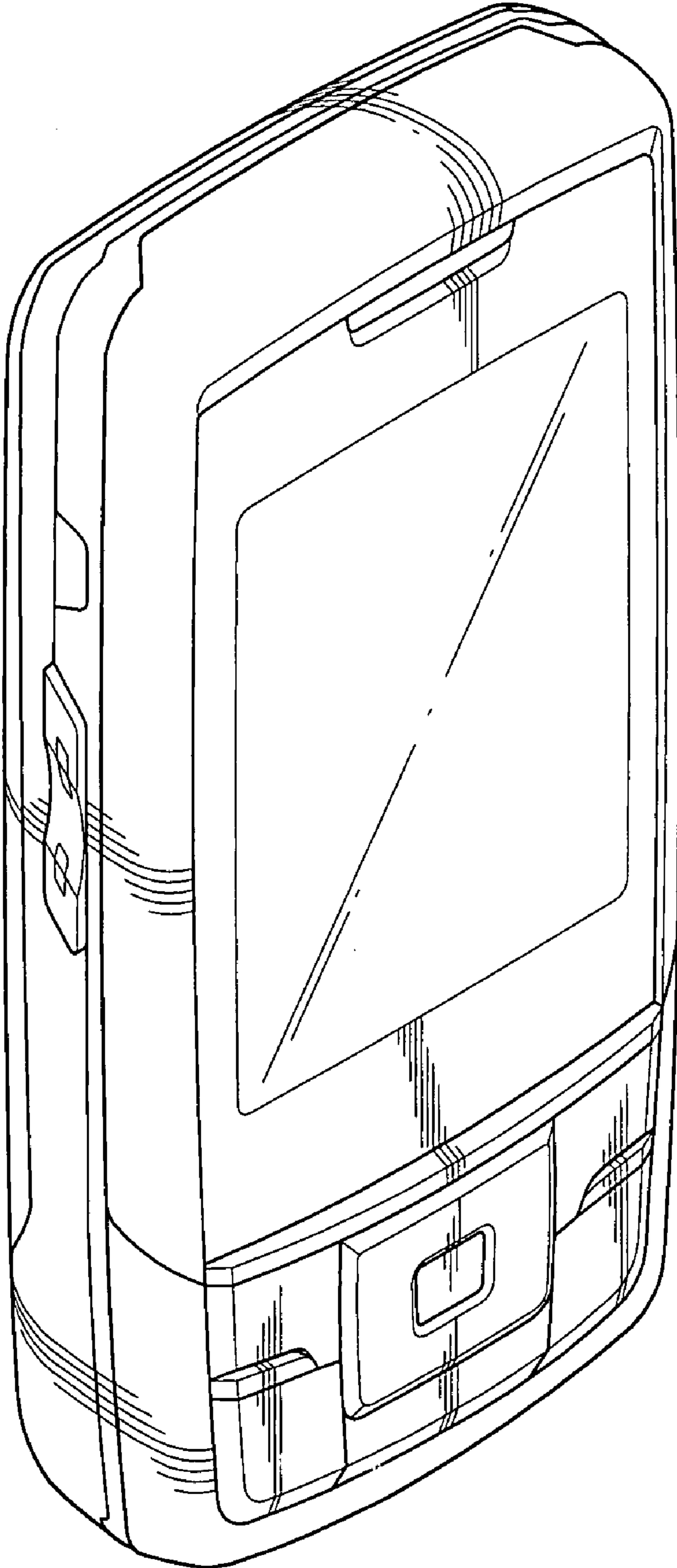


FIG.2

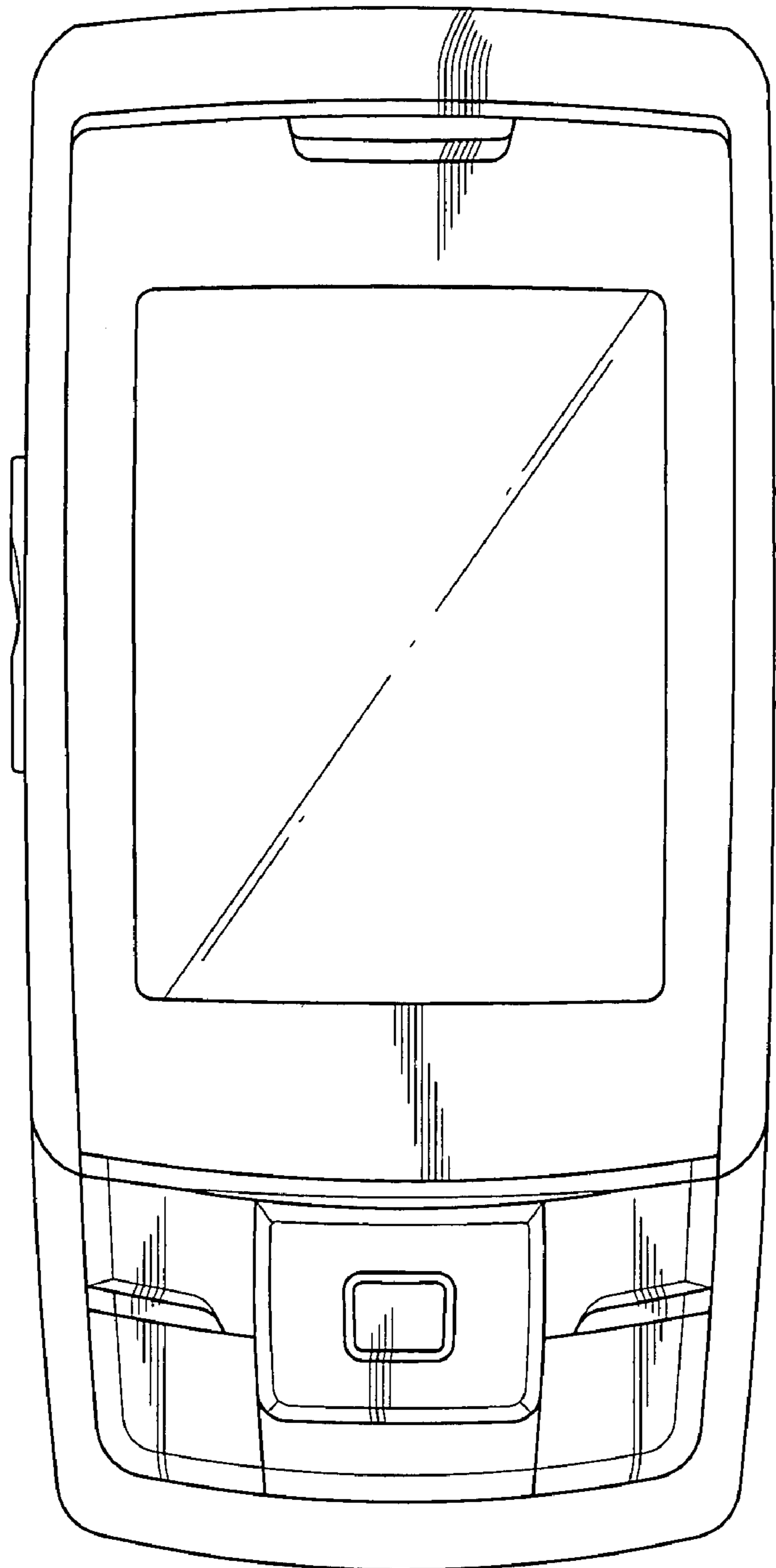


FIG.3

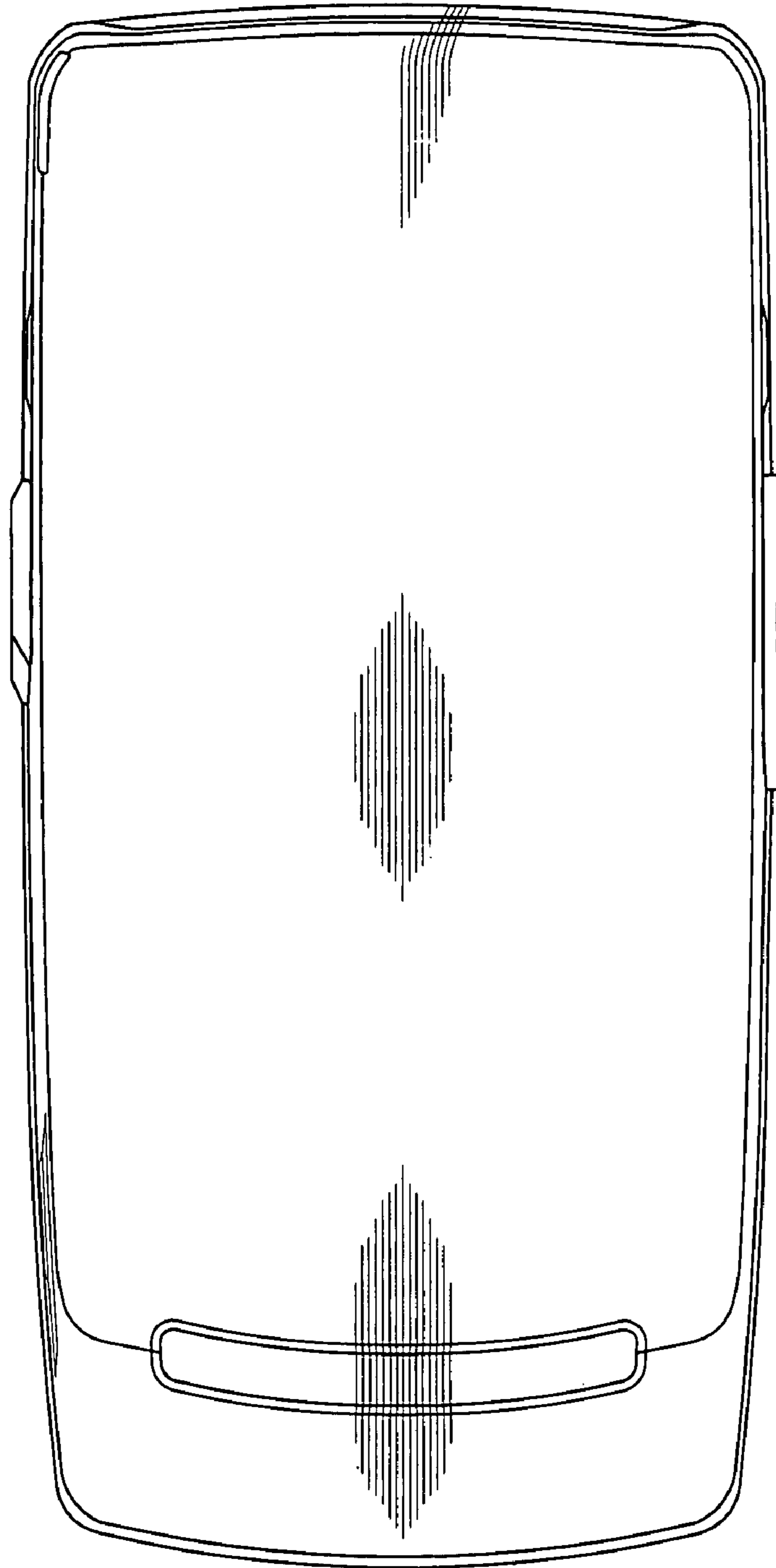


FIG. 4

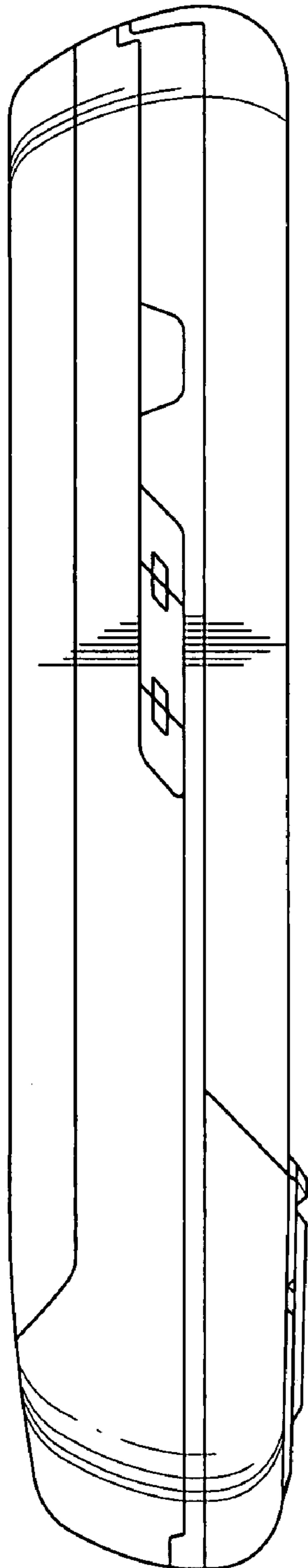


FIG. 5

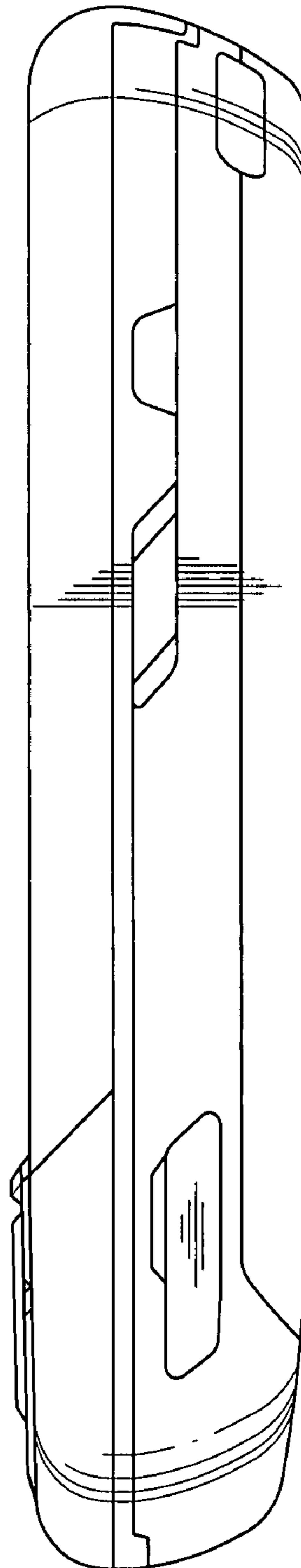


FIG.6

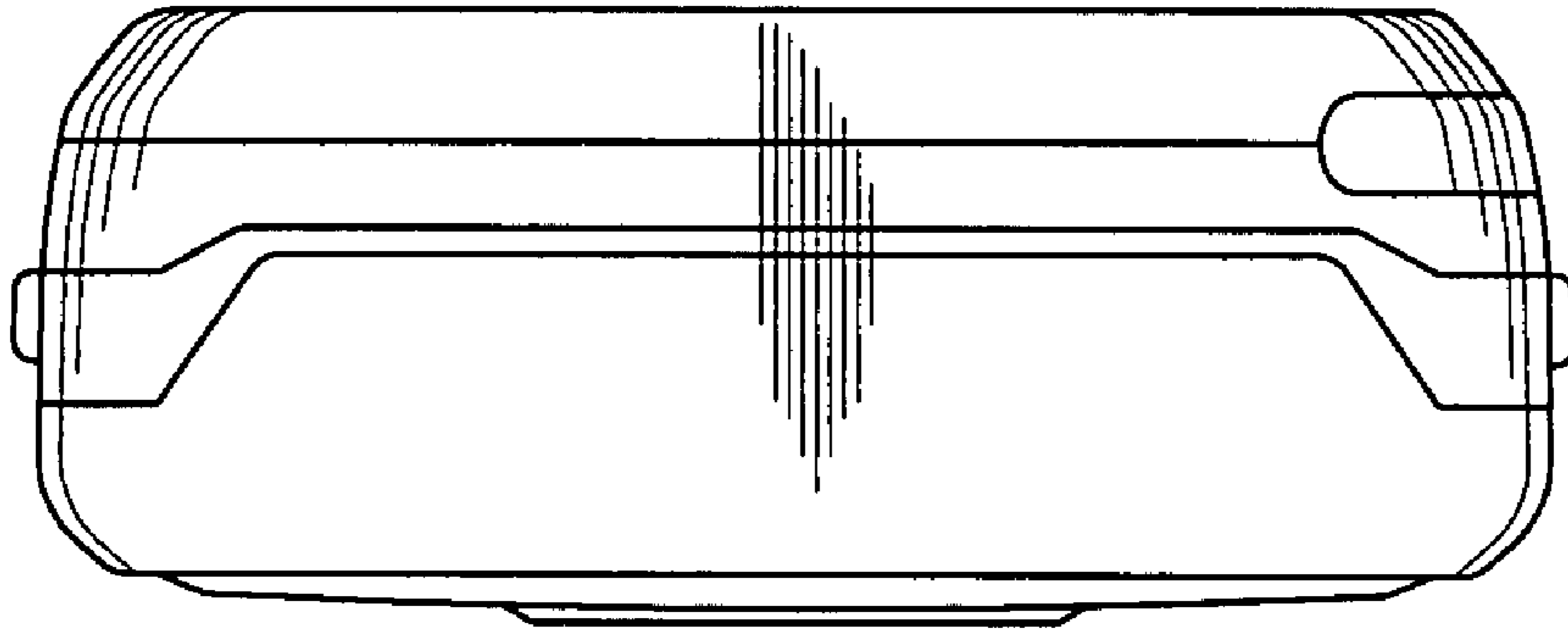


FIG.7

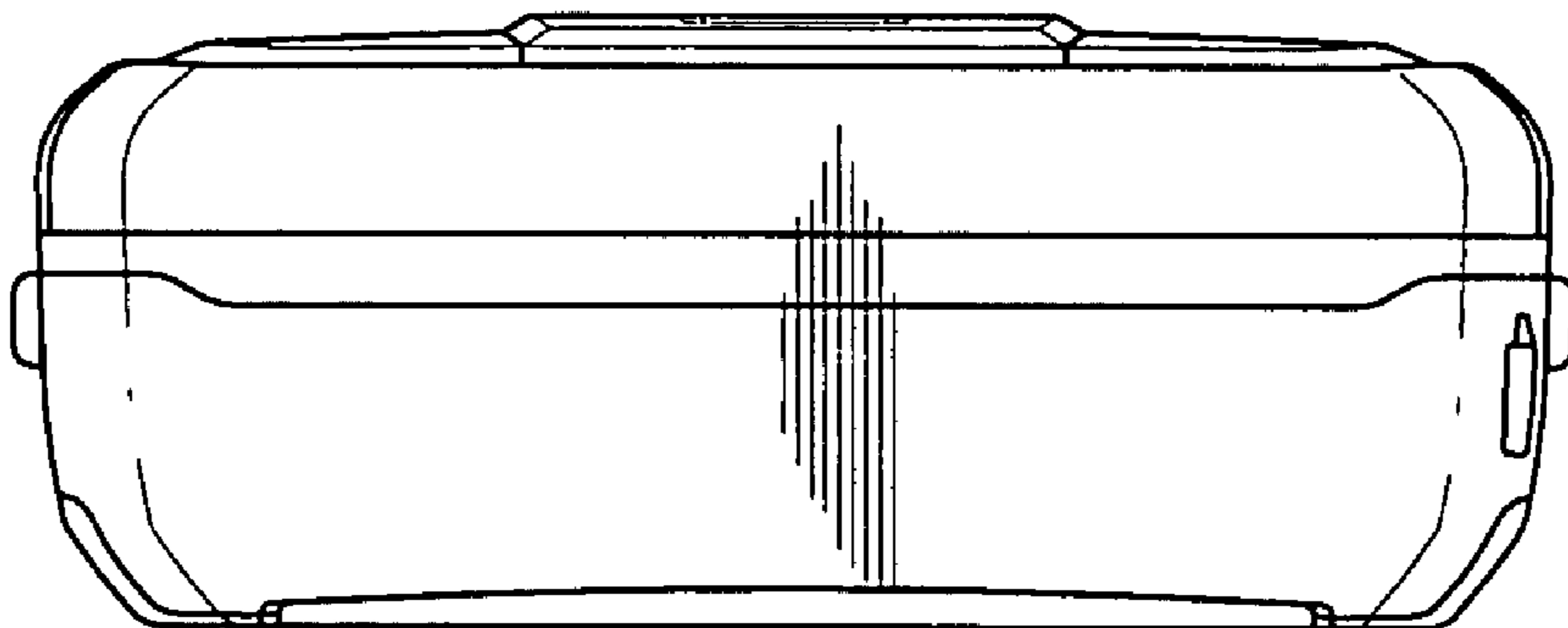


FIG. 8

