



US00D576590S

(12) **United States Design Patent**
Benoit

(10) **Patent No.:** **US D576,590 S**
(45) **Date of Patent:** **** Sep. 9, 2008**

(54) **HANDSET**

D548,213 S * 8/2007 Lee et al. D14/138
D548,710 S * 8/2007 Lee et al. D14/138

(75) Inventor: **Rouger Benoit**, Turku (FI)

(Continued)

(73) Assignee: **Nokia Corporation**, Espoo (FI)

FOREIGN PATENT DOCUMENTS

(**) Term: **14 Years**

WO DM/069147 * 1/2007
WO DM/069149 * 7/2007

(21) Appl. No.: **29/282,095**

OTHER PUBLICATIONS

(22) Filed: **Jul. 11, 2007**

HTC TyTN II, announced Jul. 2007, [online], [retrieved on Sep. 15, 2007]. Retrieved from Internet ,<URL: http://www.gsmarena.com>.*

(30) **Foreign Application Priority Data**

(Continued)

Jan. 19, 2007 (FI) M20070018

(51) **LOC (8) Cl.** **14-03**

(52) **U.S. Cl.** **D14/138**

(58) **Field of Classification Search** D14/137,
D14/138, 147, 191, 218, 247-248, 341-347,
D14/496; D10/65, 78, 104; D13/168; D18/7;
455/90.3, 556.1, 566, 575.1, 575.3, 575.4
See application file for complete search history.

Primary Examiner—Jeffrey D. Asch

Assistant Examiner—Bridget L Eland

(74) *Attorney, Agent, or Firm*—Banner & Witcoff, Ltd.

(57) **CLAIM**

The ornamental design for a handset, as shown and described.

(56) **References Cited**

DESCRIPTION

U.S. PATENT DOCUMENTS

D479,215 S * 9/2003 Yokoyama D14/138
D495,310 S * 8/2004 Husgafvel D14/138
D509,202 S * 9/2005 Lee et al. D14/138
D509,203 S * 9/2005 Bertrand et al. D14/138
D511,342 S * 11/2005 Chien D14/346
D525,609 S * 7/2006 Kim et al. D14/138
D526,984 S * 8/2006 Kim et al. D14/138
D527,364 S * 8/2006 Lee et al. D14/138
D527,717 S * 9/2006 Kim D14/138
D527,718 S * 9/2006 Shin D14/138
D529,474 S * 10/2006 Park et al. D14/138
D529,475 S * 10/2006 Lee et al. D14/138
D529,887 S * 10/2006 Chung et al. D14/138
D530,297 S * 10/2006 Moon et al. D14/138
D533,160 S * 12/2006 Yoo et al. D14/138
D533,530 S * 12/2006 Kim et al. D14/138
D534,517 S * 1/2007 Cho et al. D14/138
D536,691 S * 2/2007 Park D14/138
D545,289 S * 6/2007 Wang D14/138
D547,330 S * 7/2007 Lee et al. D14/496

FIG. 1 is a bottom plan view of a handset showing my new design;

FIG. 2 is a right side view thereof;

FIG. 3 is a front view thereof;

FIG. 4 is a left side view thereof;

FIG. 5 is a top plan view thereof;

FIG. 6 is a rear view thereof;

FIG. 7 is a perspective front view thereof;

FIG. 8 is a perspective rear view thereof;

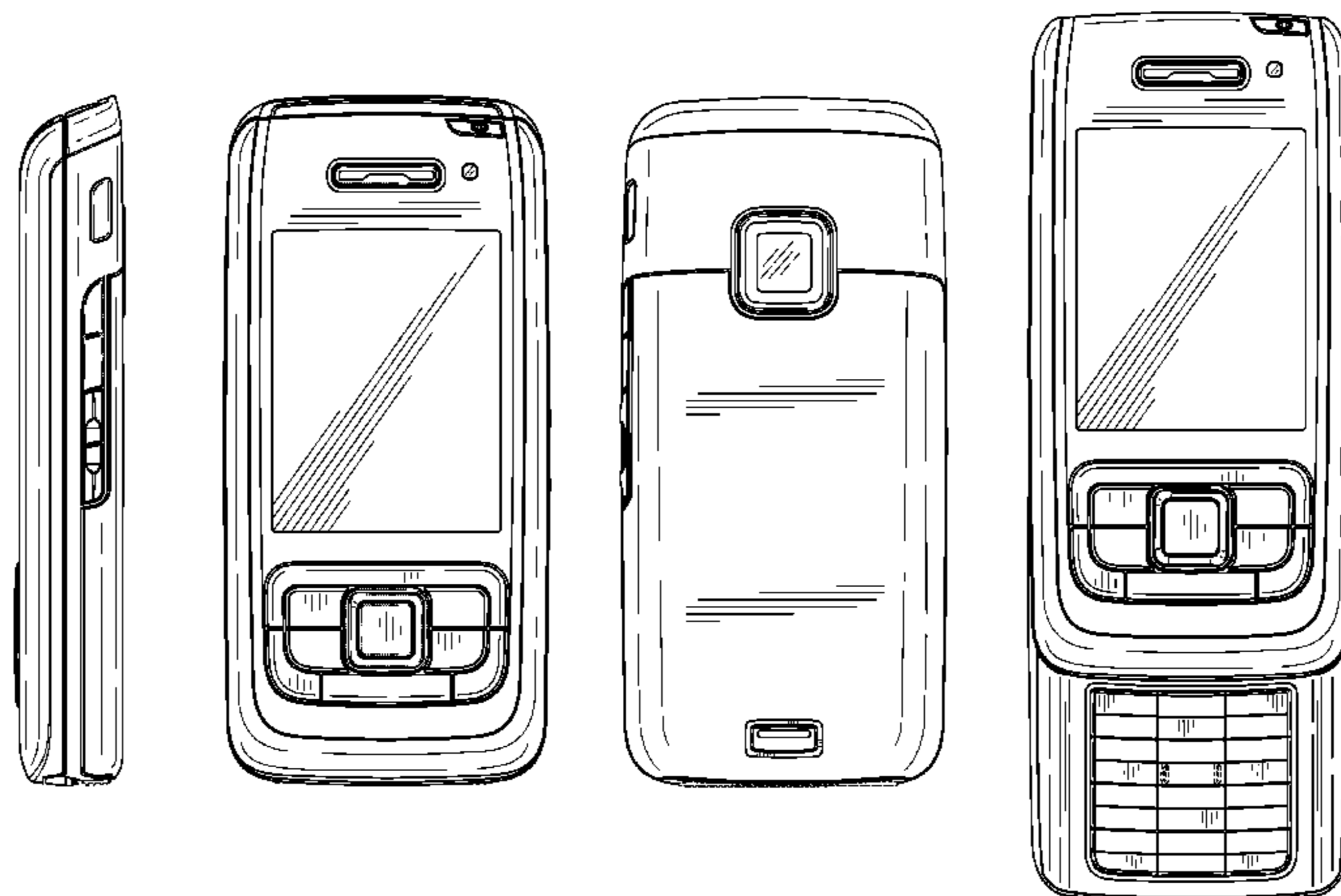
FIG. 9 is a front view of a handset showing my new design in an alternative in-use position;

FIG. 10 is a perspective front view thereof; and,

FIG. 11 is a perspective rear view thereof.

The broken line showing of the environmental structure of the handset is for illustrative purposes only and forms no part of the claimed design.

1 Claim, 9 Drawing Sheets



U.S. PATENT DOCUMENTS

D549,205	S *	8/2007	Cho	D14/138
D549,682	S *	8/2007	Han et al.	D14/138
D549,683	S *	8/2007	Cho et al.	D14/138
D550,189	S *	9/2007	Kim et al.	D14/138
D551,646	S *	9/2007	Kim et al.	D14/138
D553,599	S *	10/2007	Lee et al.	D14/138
D555,137	S *	11/2007	Kim et al.	D14/138
D557,242	S *	12/2007	Kim et al.	D14/138
D560,199	S *	1/2008	Lee et al.	D14/138
D562,279	S *	2/2008	Lee et al.	D14/138
D563,370	S *	3/2008	Choi et al.	D14/138
D570,816	S *	6/2008	Lee et al.	D14/138
2005/0090298	A1 *	4/2005	Park et al.	455/575.4
2005/0124381	A1 *	6/2005	Kim et al.	455/556.1
2005/0255897	A1 *	11/2005	Lee et al.	455/575.4

OTHER PUBLICATIONS

Nokia E65, announced Feb. 2007, [online], [retrieved on Feb. 16, 2007]. Retrieved from Internet ,<URL: <http://www.gsmarena.com>>.*

Nokia 6110 Navigator, announced Feb. 2007, [online], [retrieved on Feb. 16, 2007]. Retrieved from Internet ,<URL: <http://www.gsmarena.com>>.*

Philips Xenium 9@9m, announced May 2007, [online], [retrieved on May 18, 2007]. Retrieved from Internet ,<URL: <http://www.gsmarena.com>>.*

Nokia Model # 3109 classic, Nokia Corporation, 1 color sheet of photographs, disclosed on or about May 2007.

Nokia Model # 5200, Nokia Corporation, 2 color sheets of photographs, disclosed on or about Sep. 2006.

Nokia Model # 5300, Nokia Corporation, 2 color sheets of photographs, disclosed on or about Sep. 2006.

Nokia Model # 5310, Nokia Corporation, 2 color sheets of photographs, disclosed on or about Aug. 2007.

Nokia Model # 6111, Nokia Corporation, 3 color sheets of photographs, disclosed on or about Jun. 2005.

Nokia Model # 6020, Nokia Corporation, 3 color sheets of photographs, disclosed on or about Nov. 2004.

Nokia Model # 6280, Nokia Corporation, 3 color sheets of photographs, disclosed on or about Jun. 2005.

Nokia Model # 7088, Nokia Corporation, 2 color sheets of photographs, disclosed on or about Mar. 2007.

Nokia Model # 7360, Nokia Corporation, 4 color sheets of photographs, disclosed on or about Oct. 2005.

Nokia Model # N80, Nokia Corporation, 6 color sheets of photographs, disclosed on or about Nov. 2005.

Nokia Model # N81, Nokia Corporation, 4 color sheets of photographs, disclosed on or about Aug. 2007.

Nokia Model # N95, Nokia Corporation, 7 color sheets of photographs, disclosed on or about Sep. 2006.

* cited by examiner

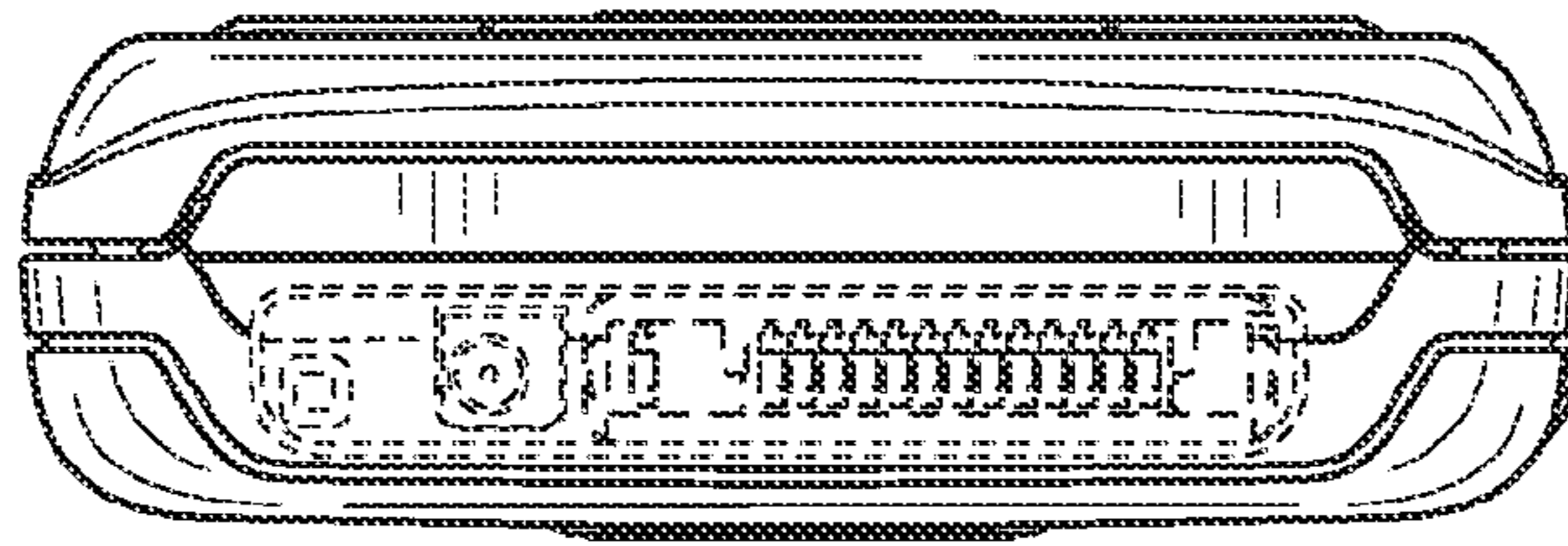


FIG. 1

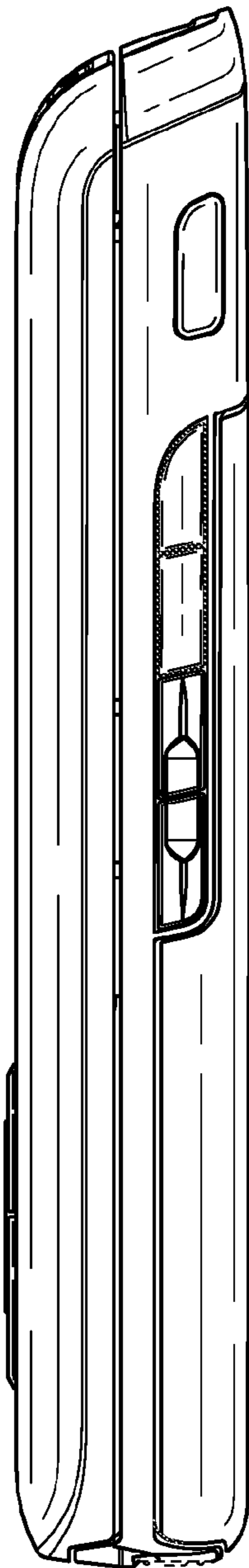


FIG. 2

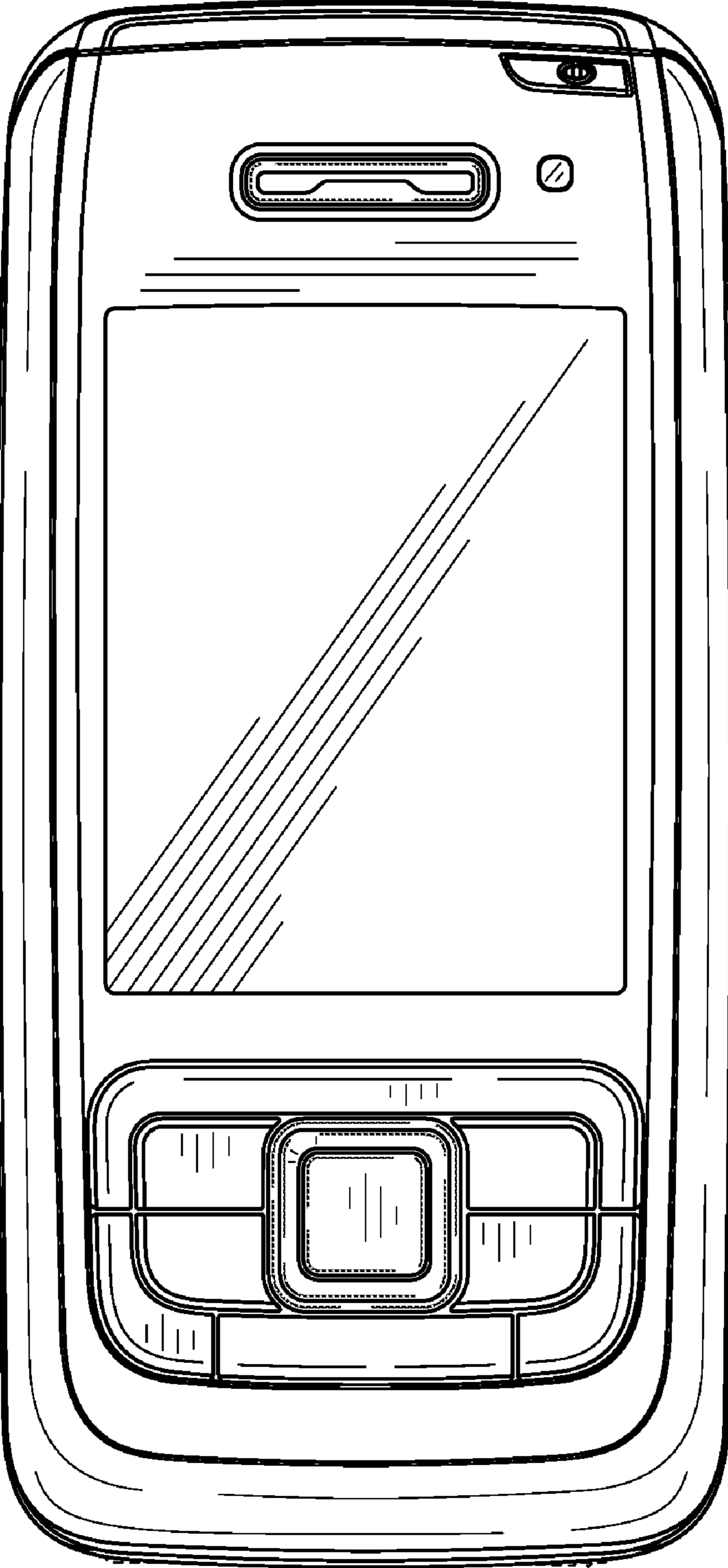


FIG. 3

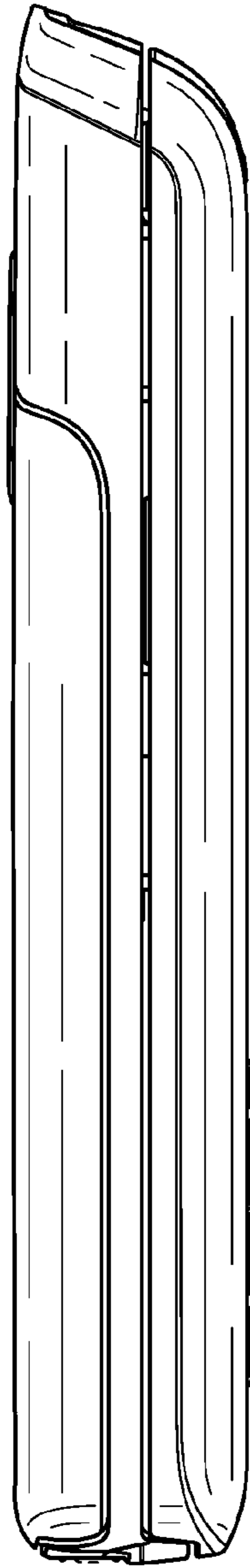


FIG. 4

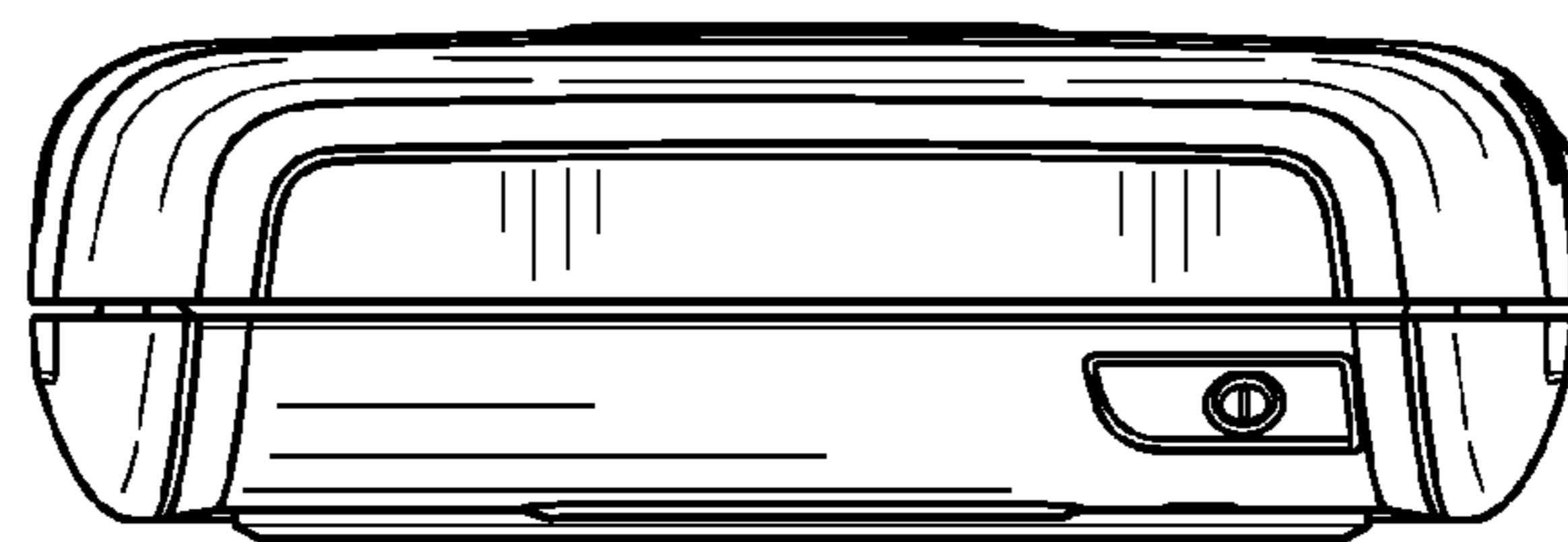


FIG. 5

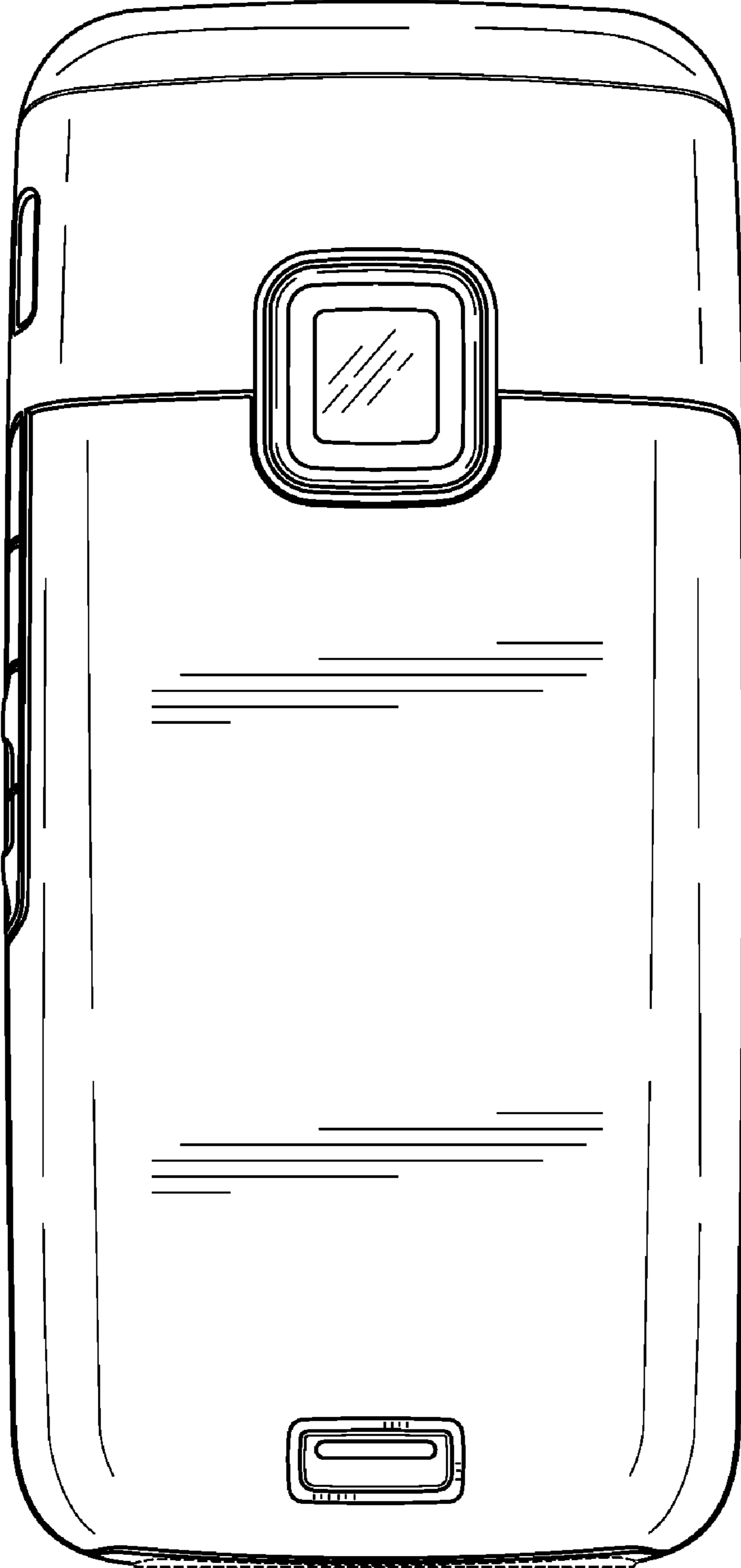


FIG. 6

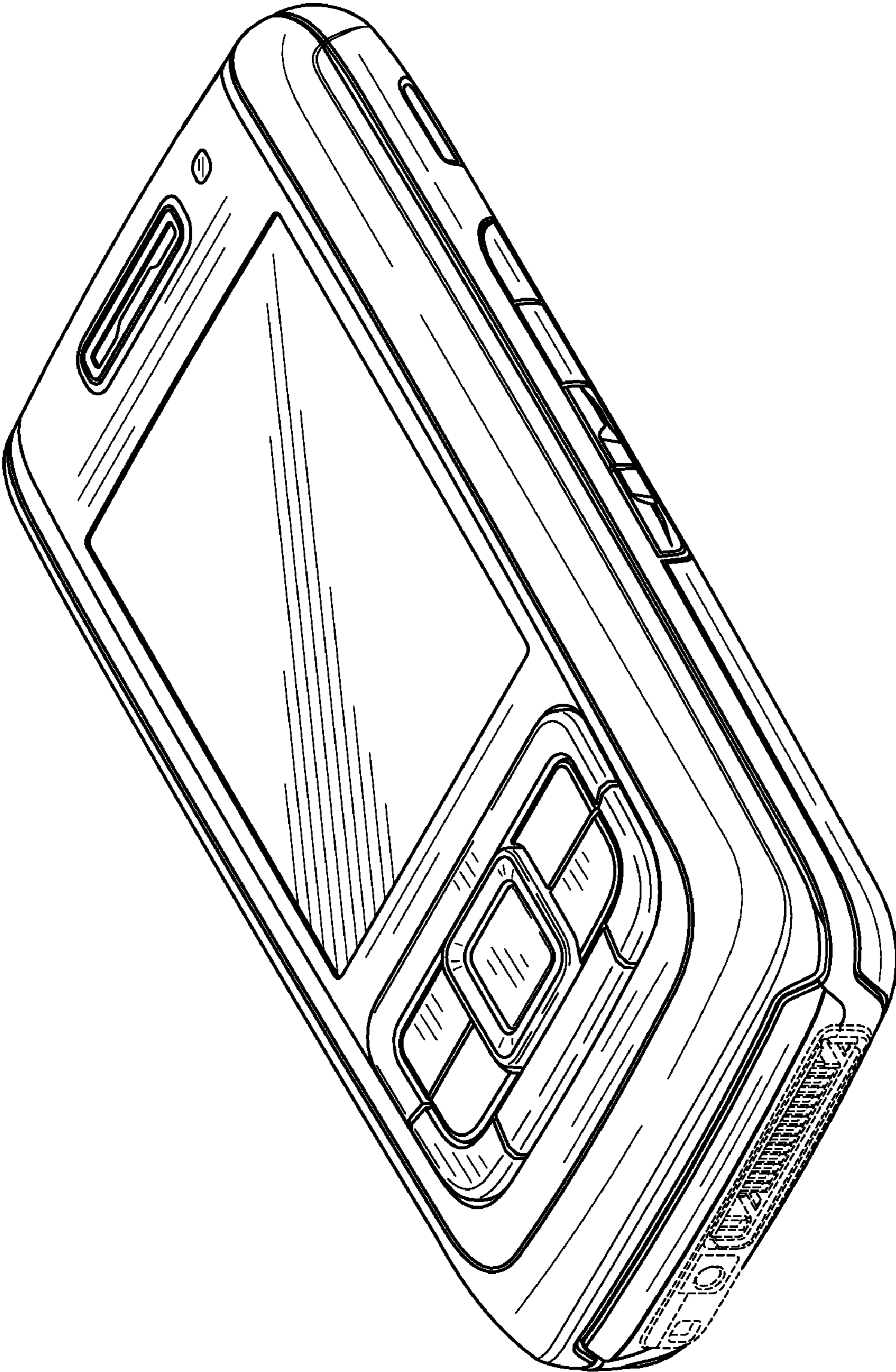


FIG. 7

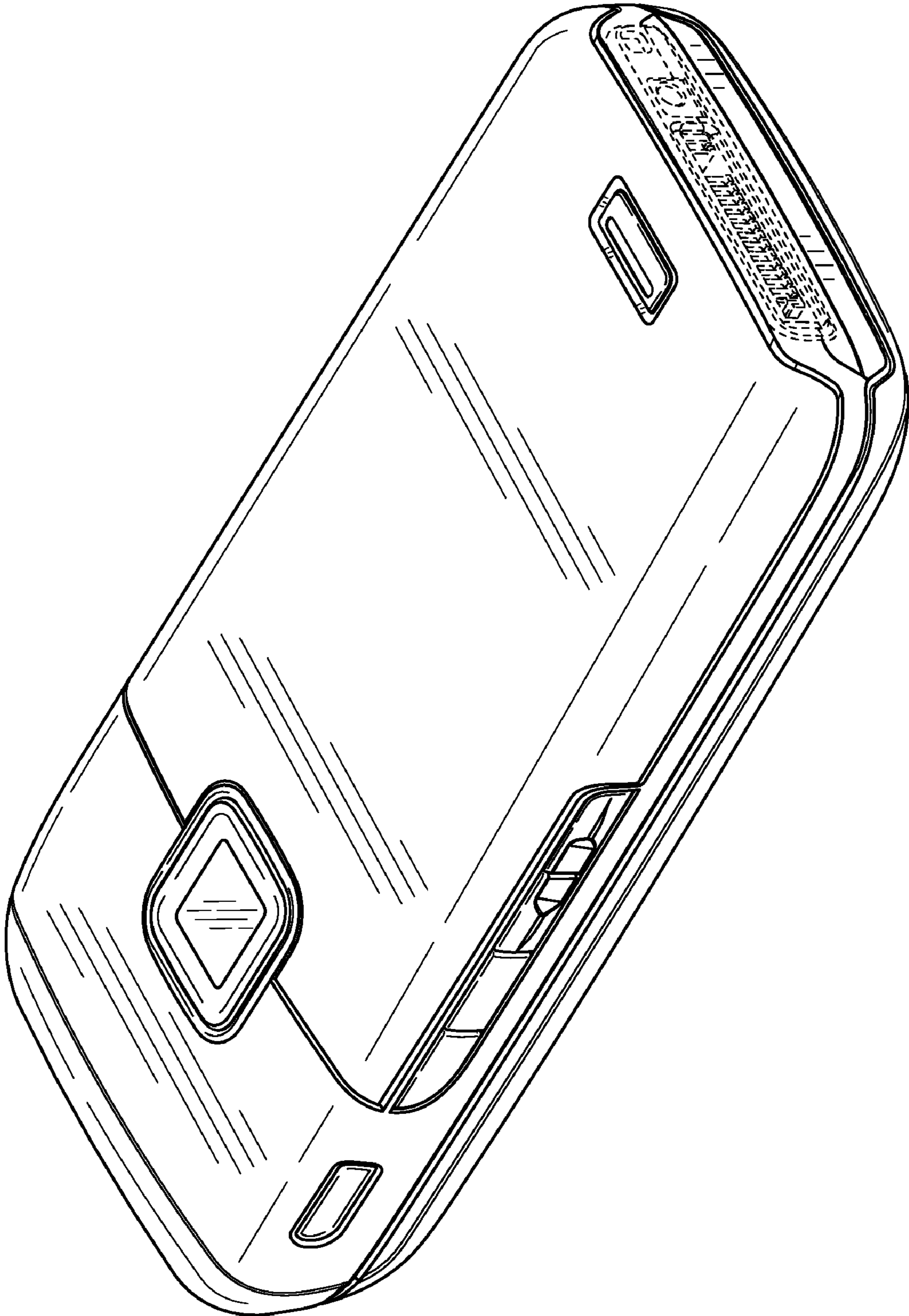


FIG. 8

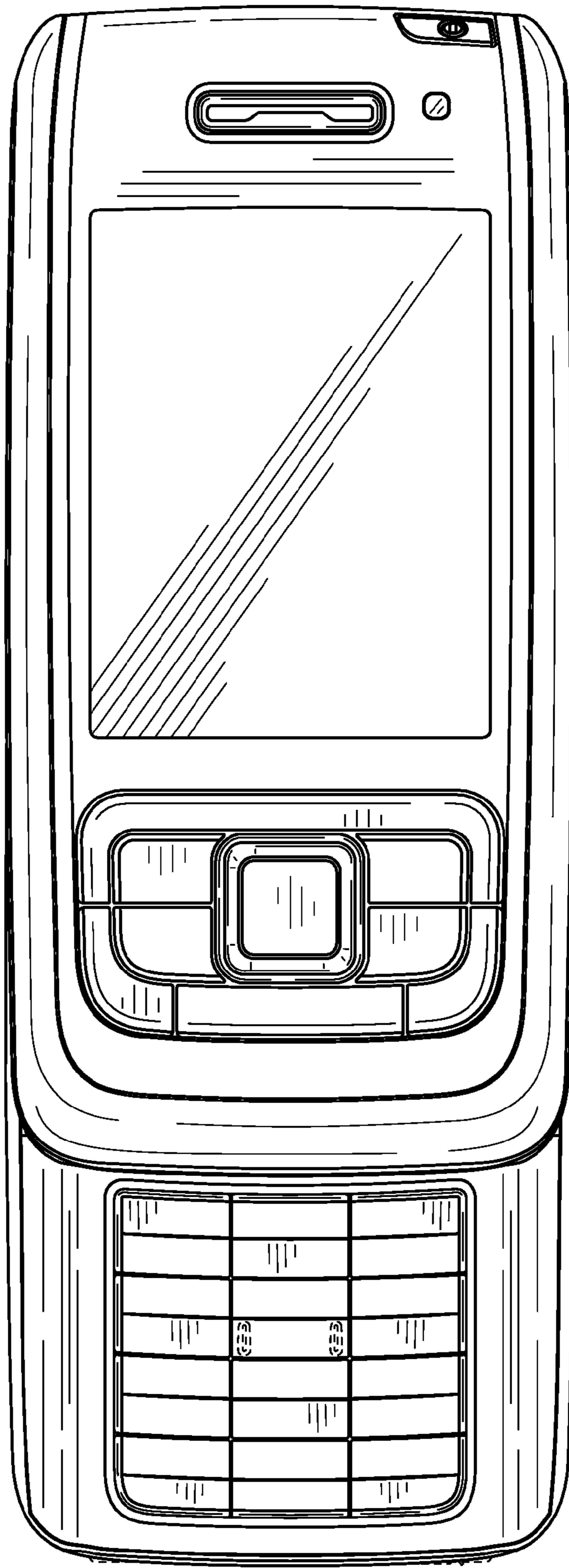


FIG. 9

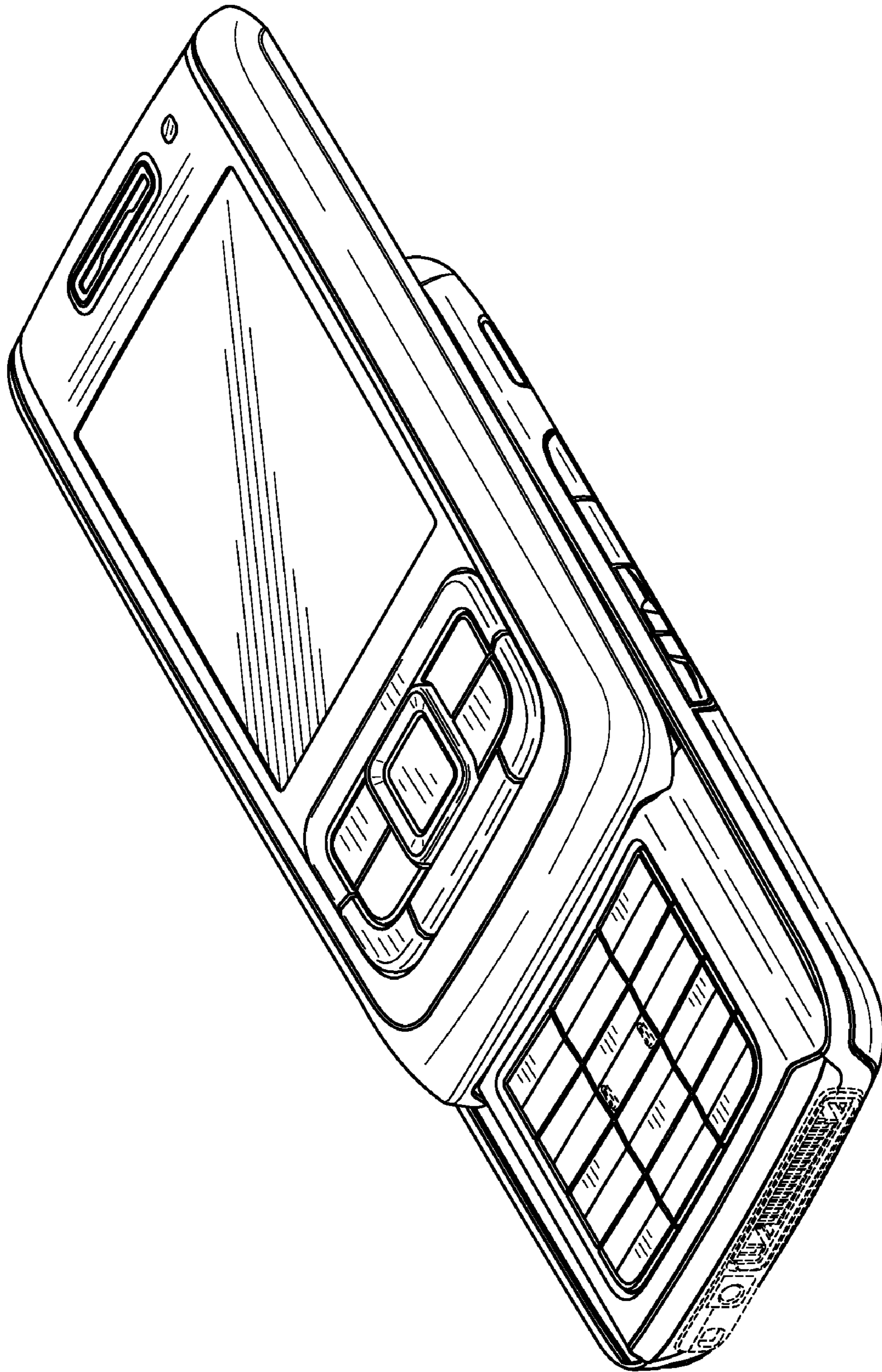


FIG. 10

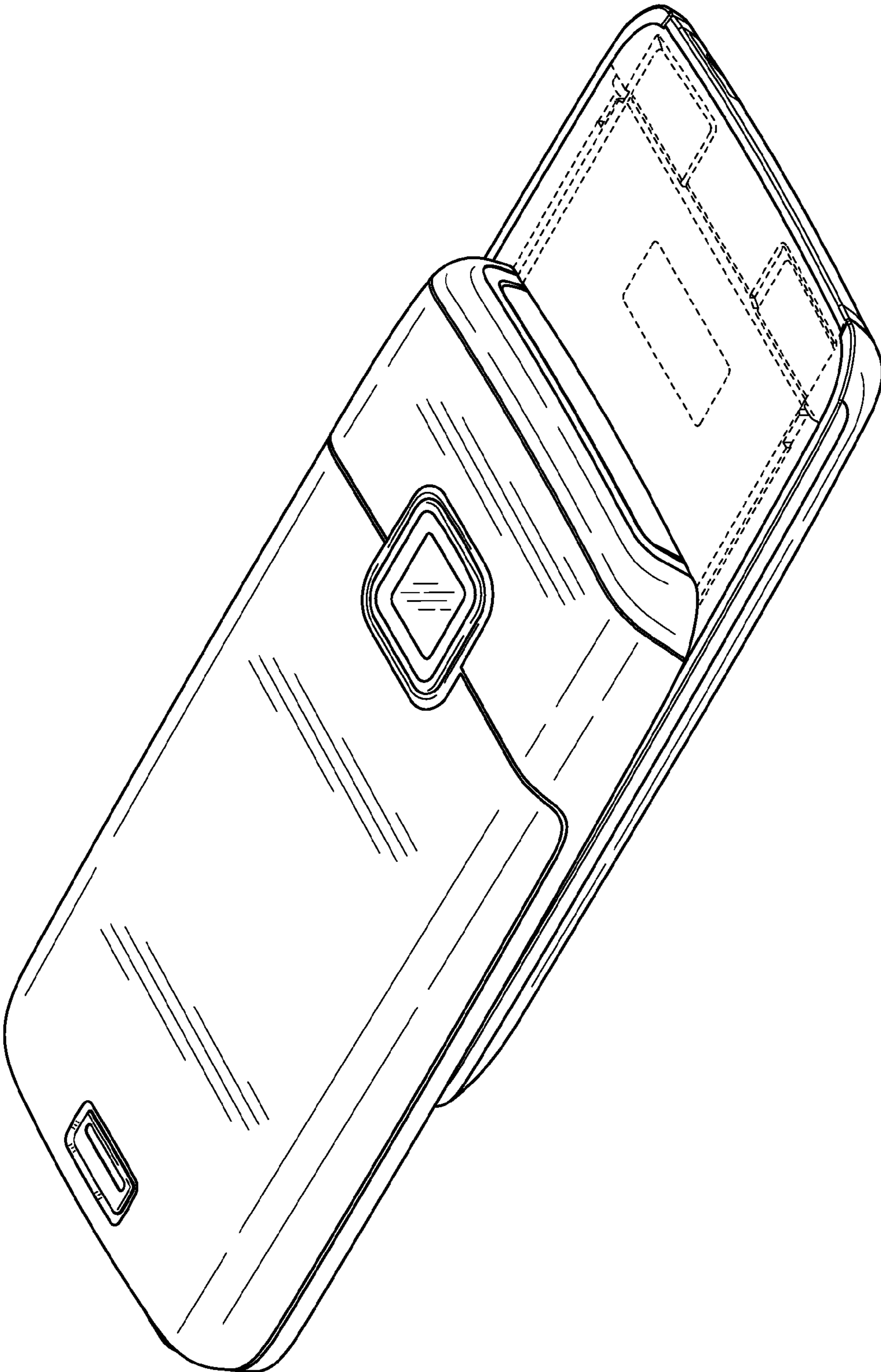


FIG. 11