



US00D576585S

(12) **United States Design Patent**
Stillerman

(10) **Patent No.:** **US D576,585 S**
(45) **Date of Patent:** **** Sep. 9, 2008**

(54) **HANDSET**

(75) Inventor: **Jan R. Stillerman**, Thousand Oaks, CA
(US)

(73) Assignee: **Nokia Corporation**, Espoo (FI)

(**) Term: **14 Years**

(21) Appl. No.: **29/250,731**

(22) Filed: **Nov. 29, 2006**

(51) **LOC (8) Cl.** **14-03**

(52) **U.S. Cl.** **D14/138**

(58) **Field of Classification Search** D14/137-138,
D14/147-148, 156, 218, 247-248, 341-347,
D14/390, 399, 455-456, 496; D16/208;
D21/329, 331, 333, 517; 48/14.01-14.02;
361/814; 379/433.01-433.13; 455/90.3,
455/556.1-556.2, 566, 575.1, 575.3, 575.4;
D13/164, 168; 439/165; 343/702

See application file for complete search history.

(56) **References Cited**

U.S. PATENT DOCUMENTS

D525,228 S *	7/2006	Kim et al.	D14/138
D543,184 S *	5/2007	Moon et al.	D14/138
D546,808 S *	7/2007	Kim et al.	D14/138
D546,809 S *	7/2007	Kim et al.	D14/138
D548,717 S *	8/2007	Davis	D14/138
D548,718 S *	8/2007	Davis	D14/138
D555,621 S *	11/2007	Seo	D14/138
D556,171 S *	11/2007	Lee et al.	D14/138
D559,224 S *	1/2008	Moon et al.	D14/138
D560,635 S *	1/2008	Kim et al.	D14/138
D562,301 S *	2/2008	Lee et al.	D14/138
D563,379 S *	3/2008	Mai et al.	D14/138

2006/0111052 A1* 5/2006 Gartrell 455/90.3

FOREIGN PATENT DOCUMENTS

WO DM/068067 * 8/2006
WO DM/069166 * 7/2007

OTHER PUBLICATIONS

Philips Xenium 9@9d, announced Mar. 2006, <URL:http://www.gsmarena.com/philips_xenium_9@9d-pictures-1521.php>, retrieved from internet Apr. 12, 2008.*

Nokia N82, announced Nov. 2007, <URL:http://www.gsmarena.com/nokia_n82-pictures-2177.php>, retrieved from internet Apr. 12, 2008.*

* cited by examiner

Primary Examiner—Ian Simmons
Assistant Examiner—Carla Wright

(74) *Attorney, Agent, or Firm*—Banner & Witcoff, Ltd.

(57) **CLAIM**

The ornamental design for a handset, as shown and described.

DESCRIPTION

FIG. 1 is a bottom plan view of a handset showing my new design;

FIG. 2 is a right side view thereof;

FIG. 3 is a front view thereof;

FIG. 4 is a left side view thereof;

FIG. 5 is a top plan view thereof;

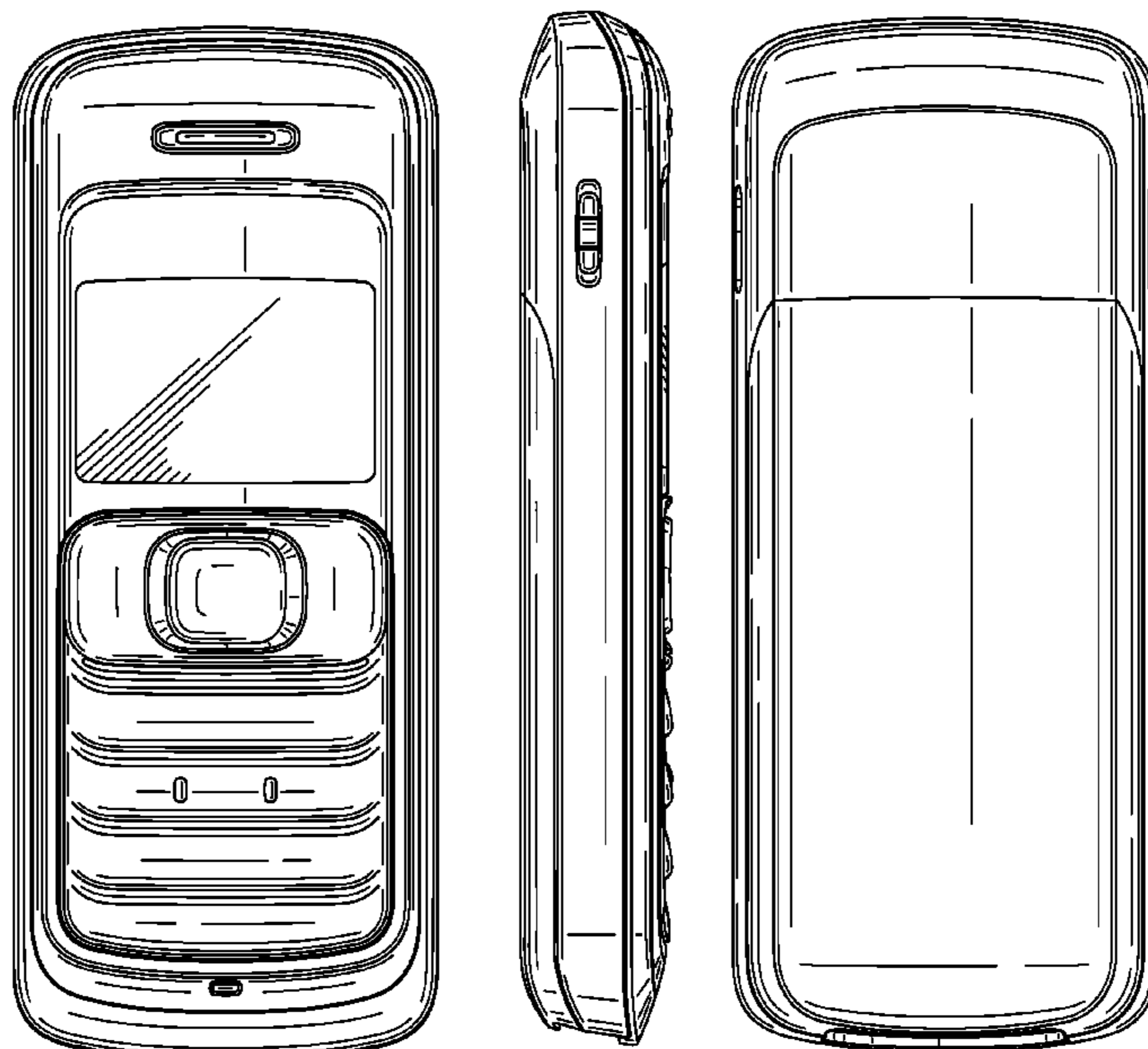
FIG. 6 is a rear view thereof;

FIG. 7 is a perspective front view thereof; and,

FIG. 8 is a perspective rear view thereof.

The broken line showing of environmental structures is for illustrative purposes only and forms no part of the claimed design.

1 Claim, 4 Drawing Sheets



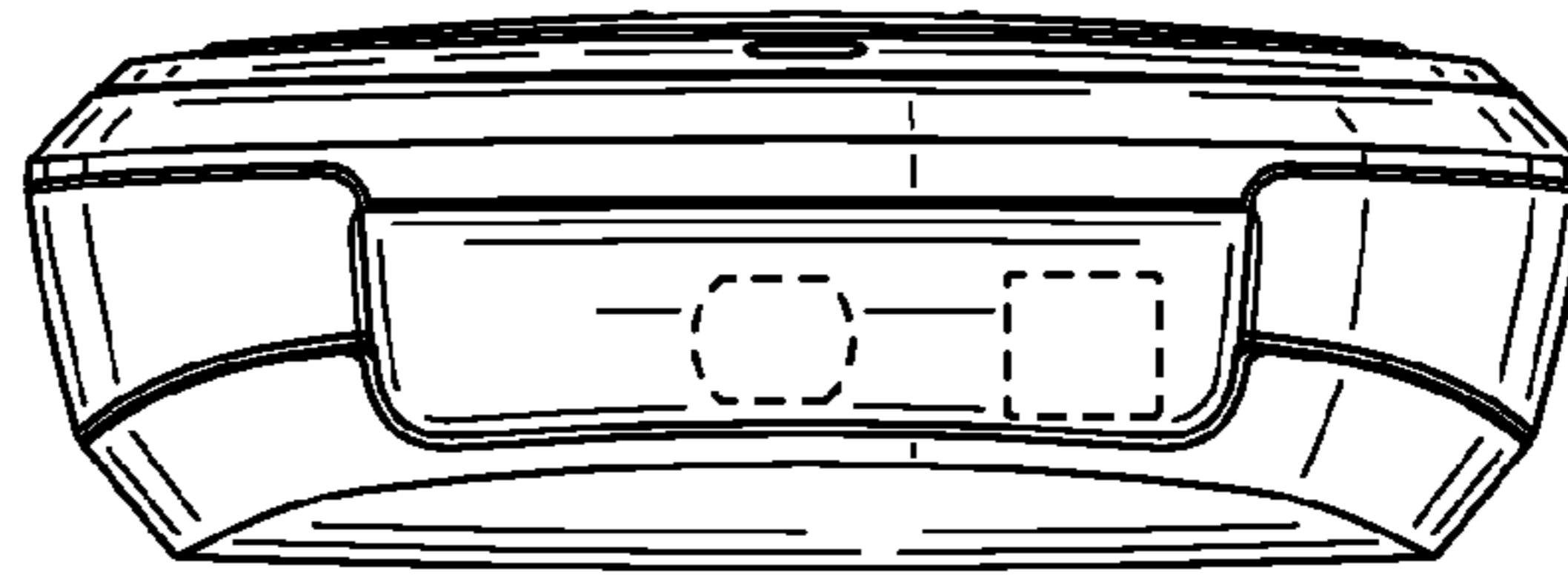


FIG. 1

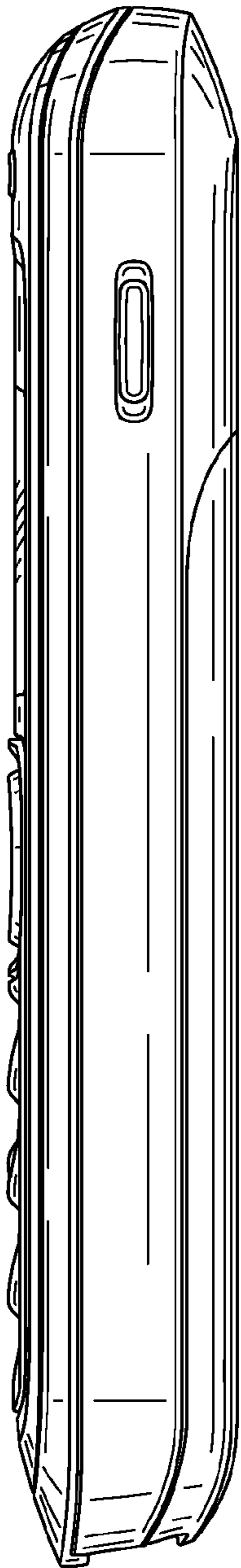


FIG. 2

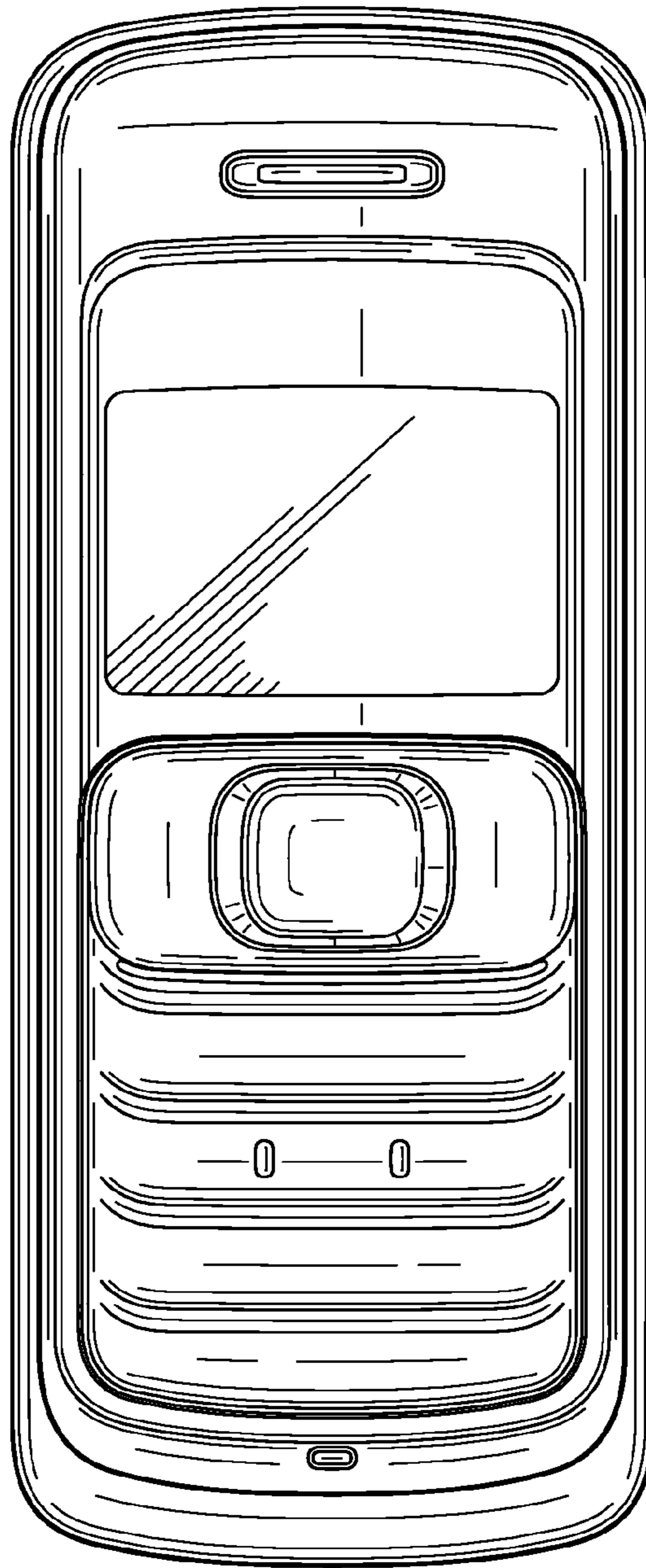


FIG. 3

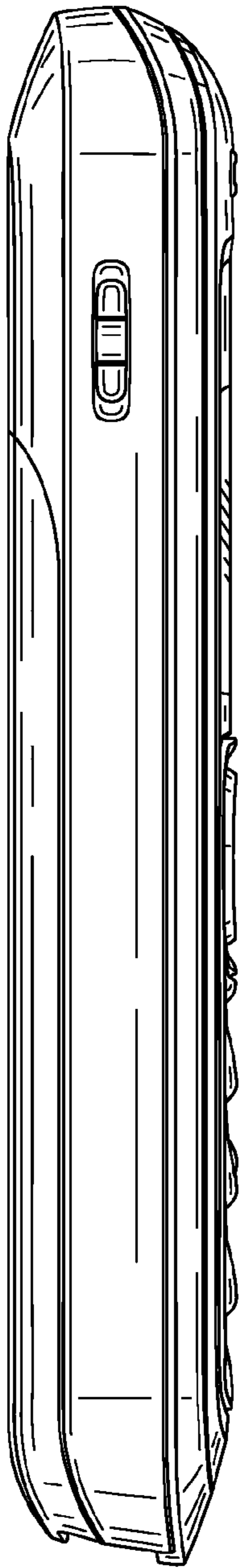


FIG. 4

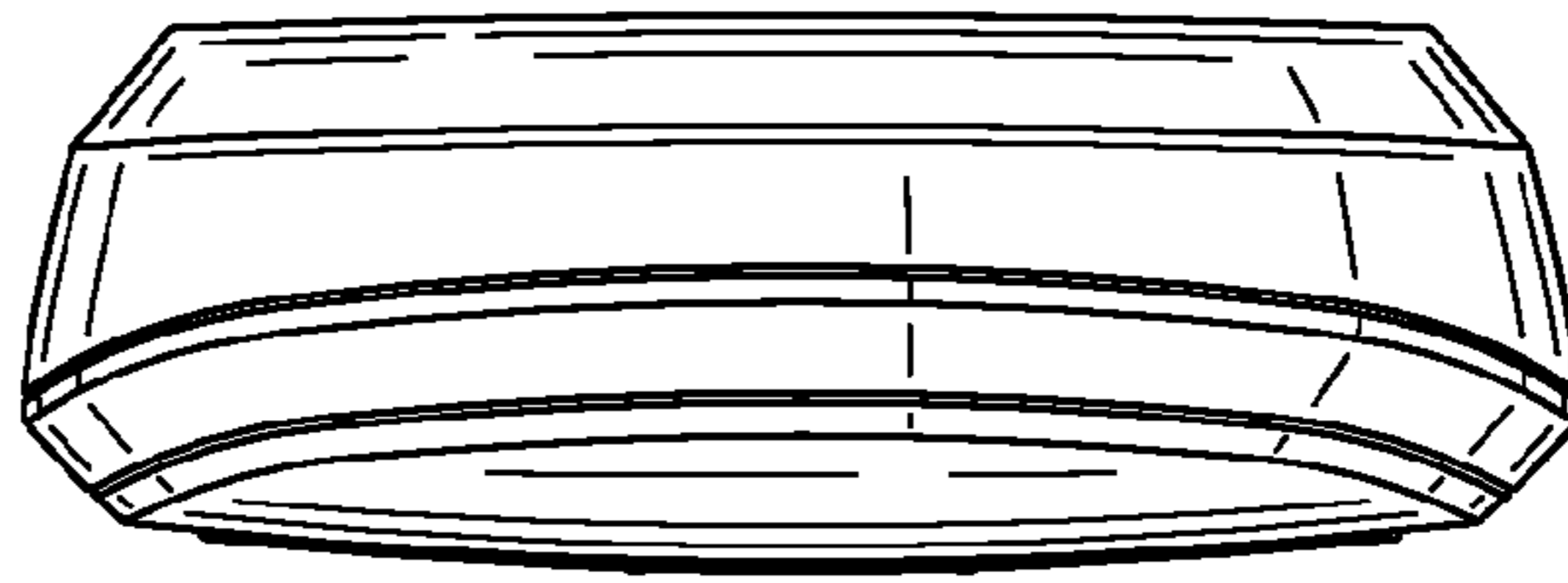


FIG. 5

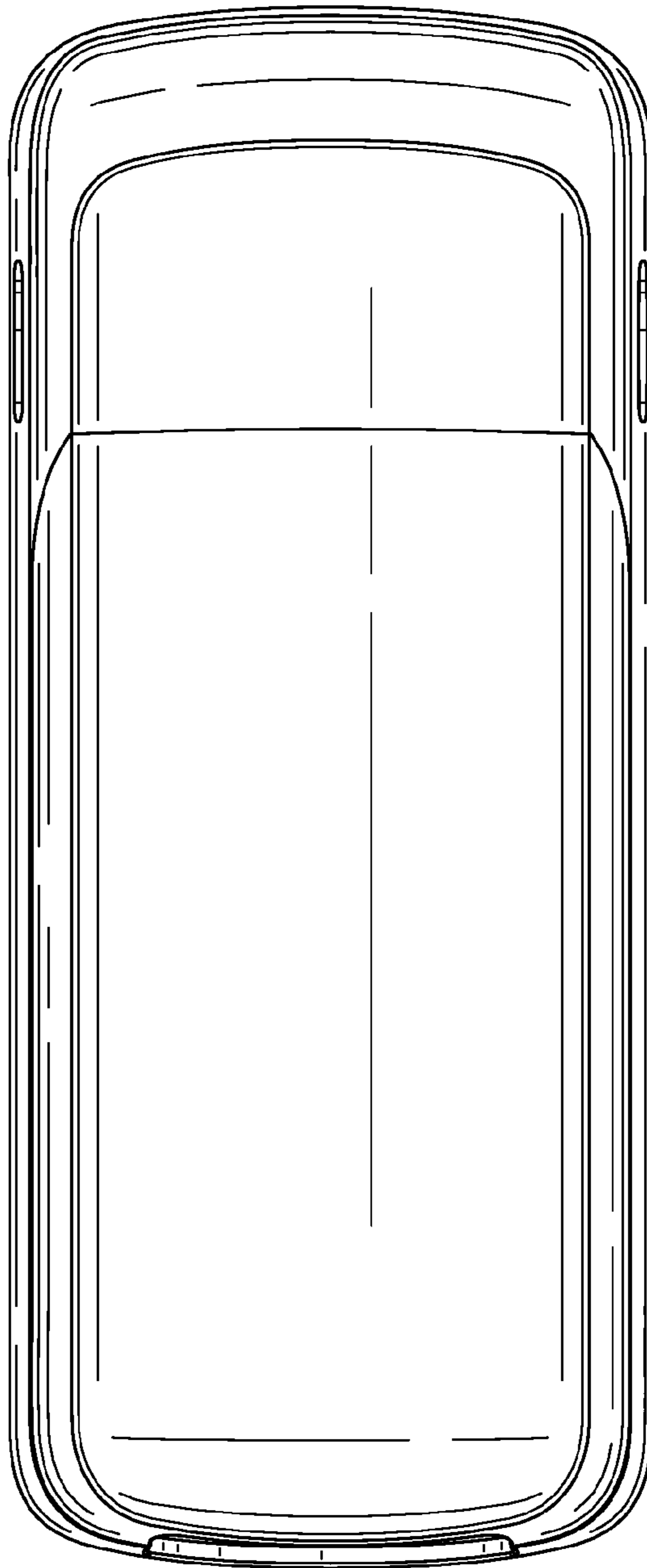


FIG. 6



FIG. 7

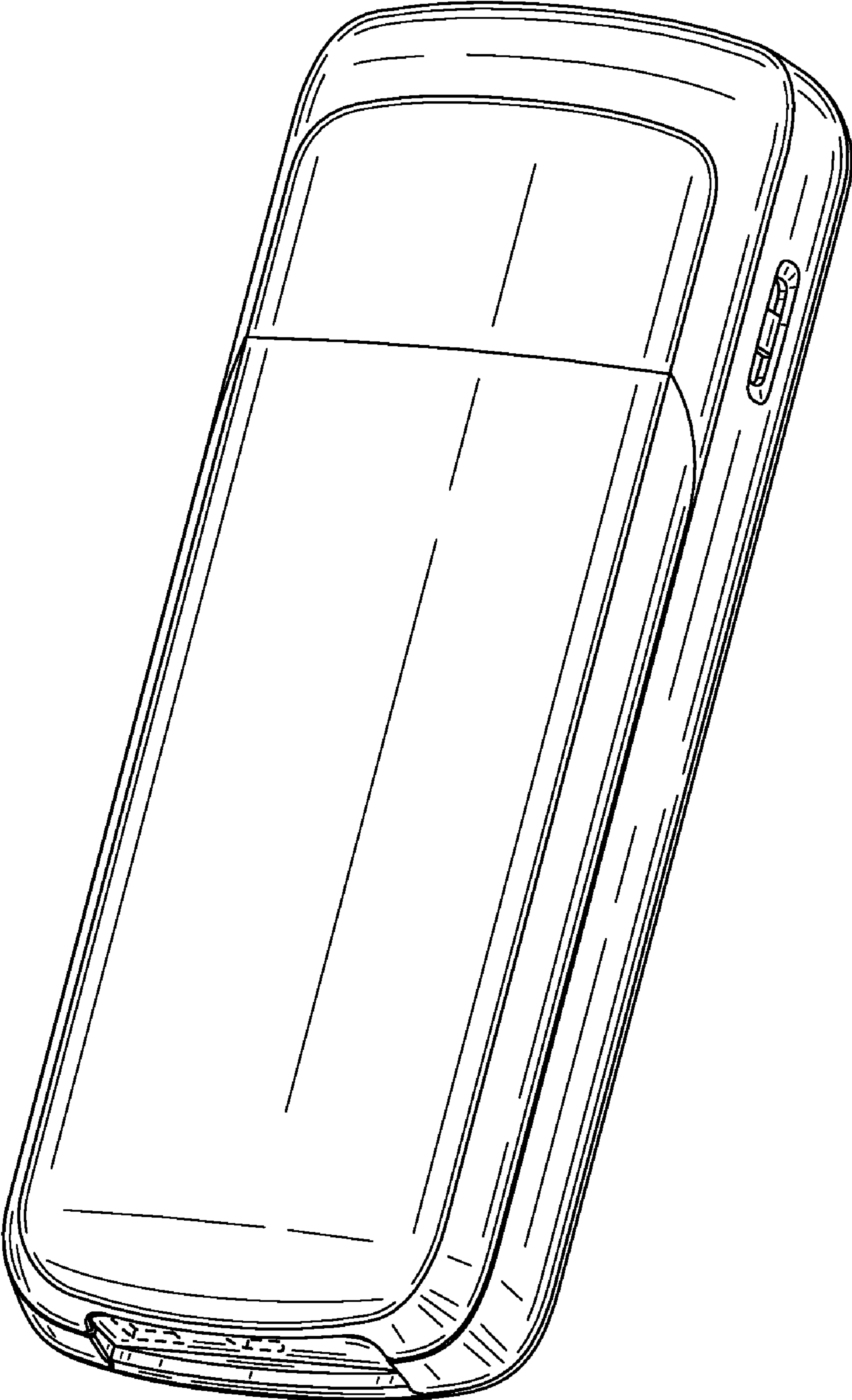


FIG. 8