



US00D576574S

(12) **United States Design Patent**
Kobayakawa

(10) **Patent No.:** **US D576,574 S**
(45) **Date of Patent:** **** Sep. 9, 2008**

(54) **LIGHT EMITTING DIODE MODULE**

(75) Inventor: **Masahiko Kobayakawa**, Kyoto (JP)

(73) Assignee: **Rohm Co., Ltd.**, Kyoto (JP)

(**) Term: **14 Years**

(21) Appl. No.: **29/294,524**

(22) Filed: **Jan. 15, 2008**

(30) **Foreign Application Priority Data**

Jul. 17, 2007 (JP) 2007-019321

(51) **LOC (8) Cl.** **13-03**

(52) **U.S. Cl.** **D13/180**

(58) **Field of Classification Search** D13/180;
D26/2; 257/79, 80, 81, 88, 89, 95, 98, 99,
257/100; 313/483, 498, 500; 362/555, 800
See application file for complete search history.

(56) **References Cited**

U.S. PATENT DOCUMENTS

6,061,160	A *	5/2000	Maruyama	398/201
6,274,890	B1 *	8/2001	Oshio et al.	257/98
6,274,924	B1 *	8/2001	Carey et al.	257/676
D477,580	S *	7/2003	Kamada	D13/182
6,770,498	B2 *	8/2004	Hsu	438/26
6,914,267	B2 *	7/2005	Fukasawa et al.	257/98
6,924,514	B2 *	8/2005	Suenaga	257/98

D522,469	S *	6/2006	Suenaga	D13/180
D542,743	S *	5/2007	Jung et al.	D13/180
D555,111	S *	11/2007	Yen	D13/180
2004/0041222	A1 *	3/2004	Loh	257/433
2005/0051789	A1 *	3/2005	Negley et al.	257/99
2007/0045823	A1 *	3/2007	Miller	257/706

* cited by examiner

Primary Examiner—Selina Sikder

(74) *Attorney, Agent, or Firm*—Hamre, Schumann, Mueller & Larson, P.C.

(57) **CLAIM**

I claim the ornamental design for a light emitting diode module, as shown.

DESCRIPTION

FIG. 1 is a perspective view of a light emitting diode module according to my new design;
FIG. 2 is a front view of the same module;
FIG. 3 is a rear view of the same module;
FIG. 4 is a top plan view of the same module;
FIG. 5 is a bottom view of the same module;
FIG. 6 is a left side view of the same module;
FIG. 7 is a right side view of the same module; and,
FIG. 8 is a sectional view of the same module taken along lines 8—8 in FIG. 4.

1 Claim, 3 Drawing Sheets

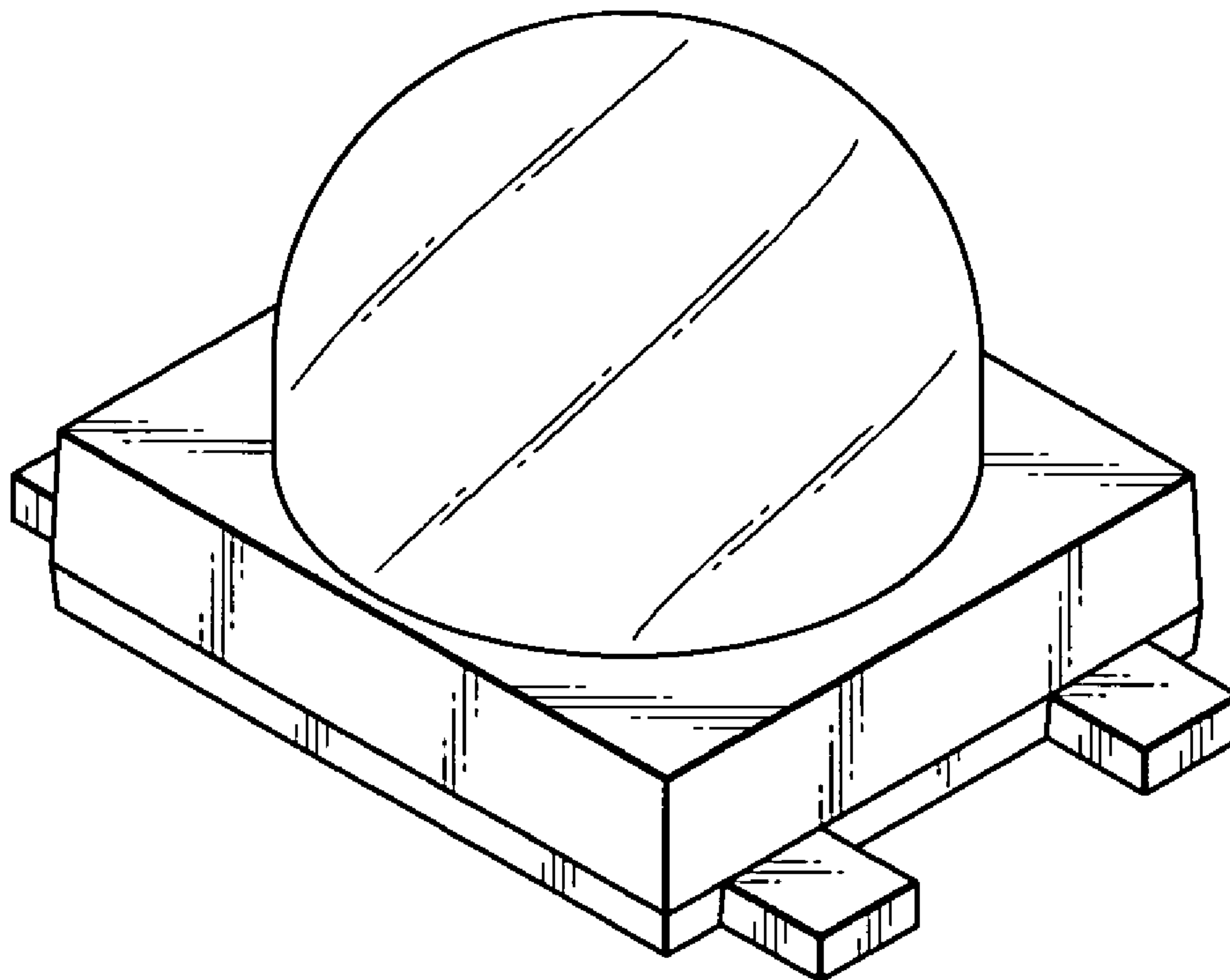


FIG.1

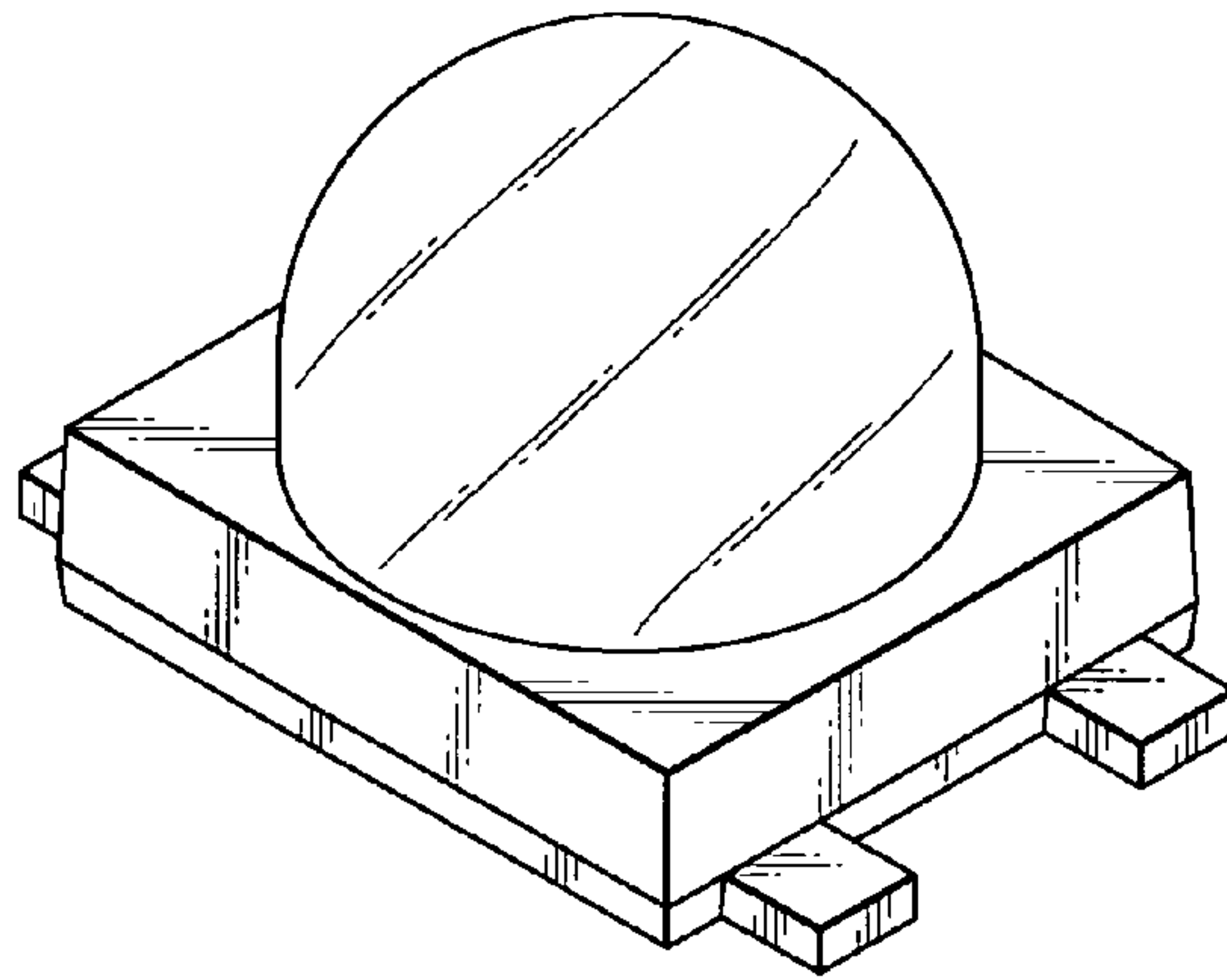


FIG.2

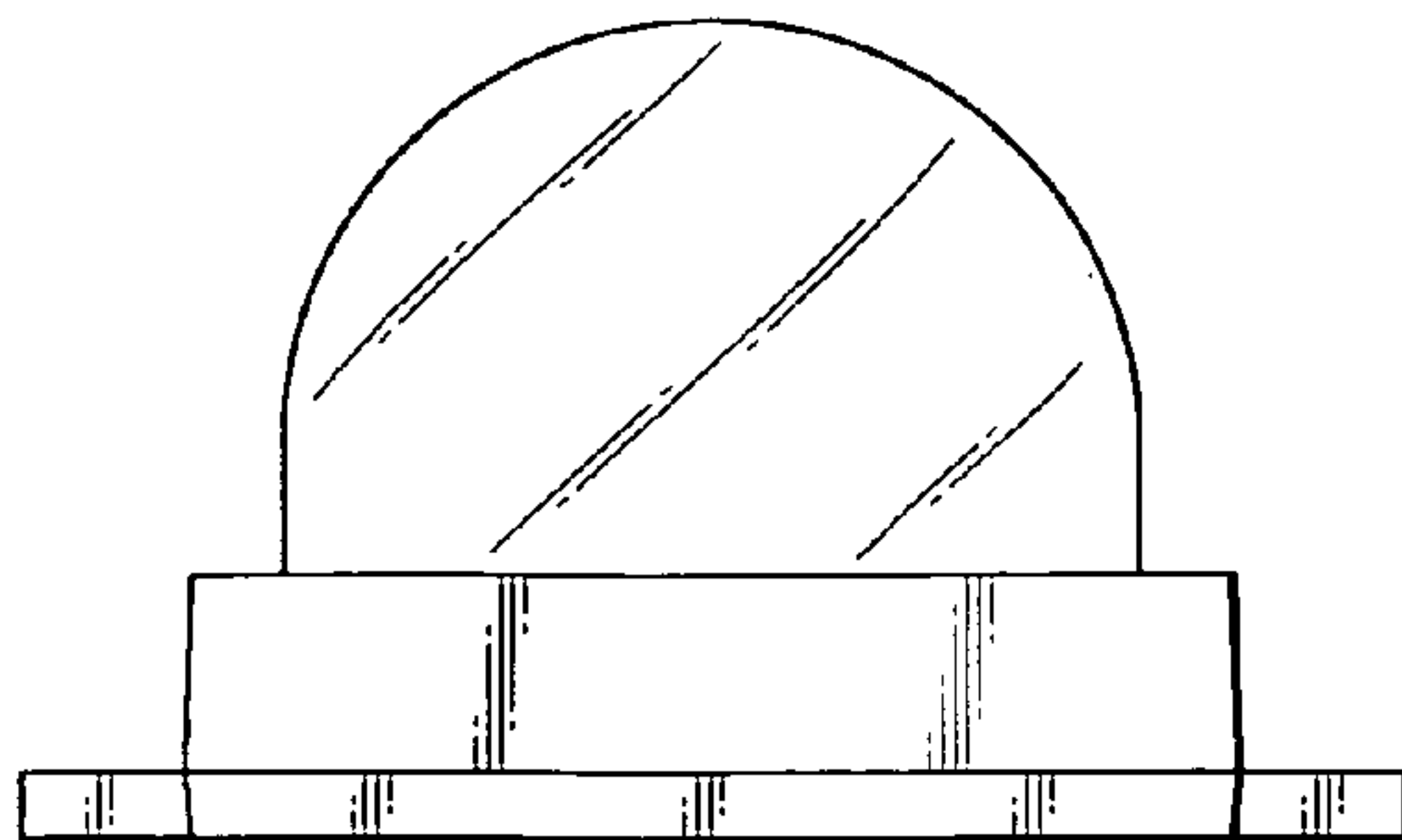


FIG.3

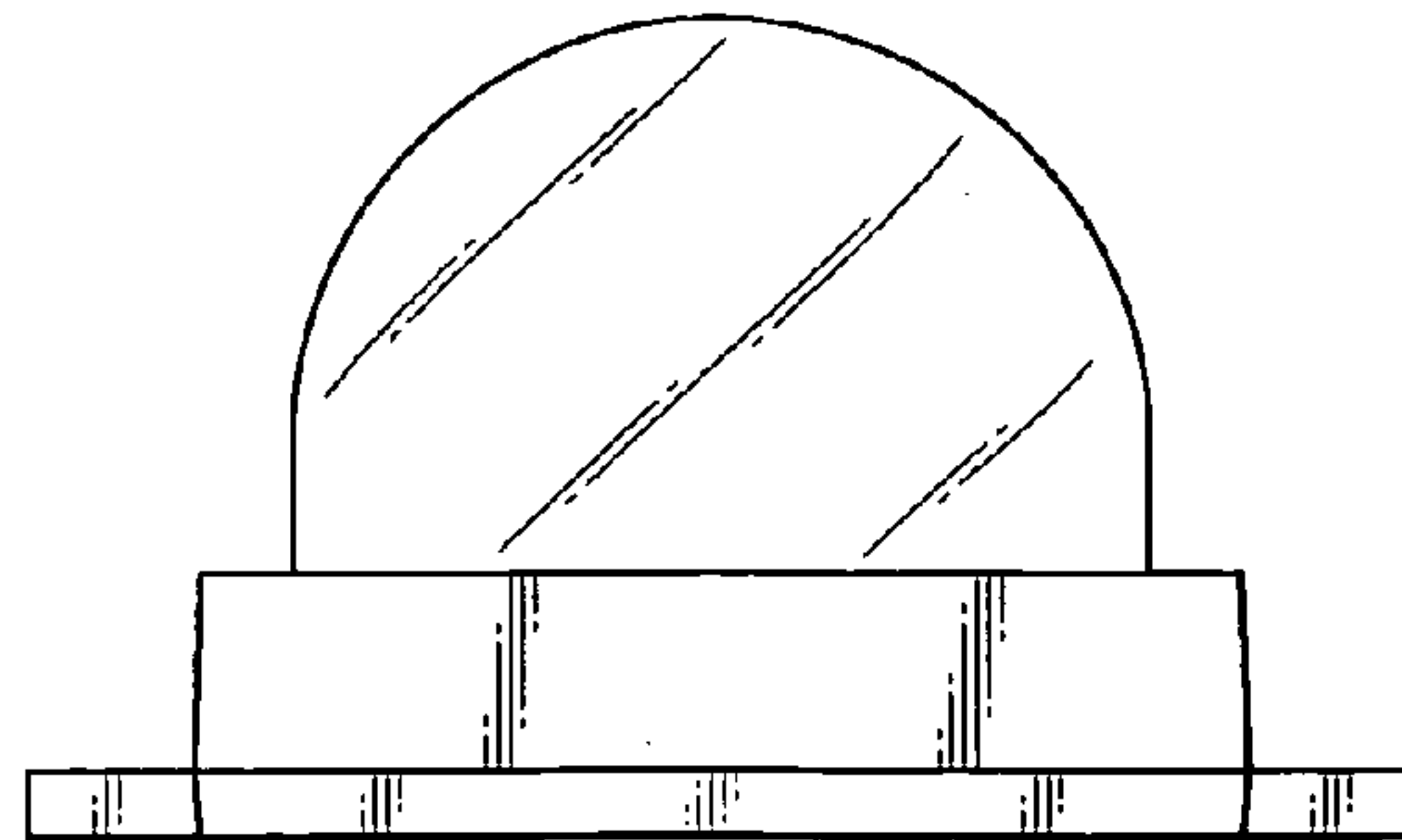


FIG.4

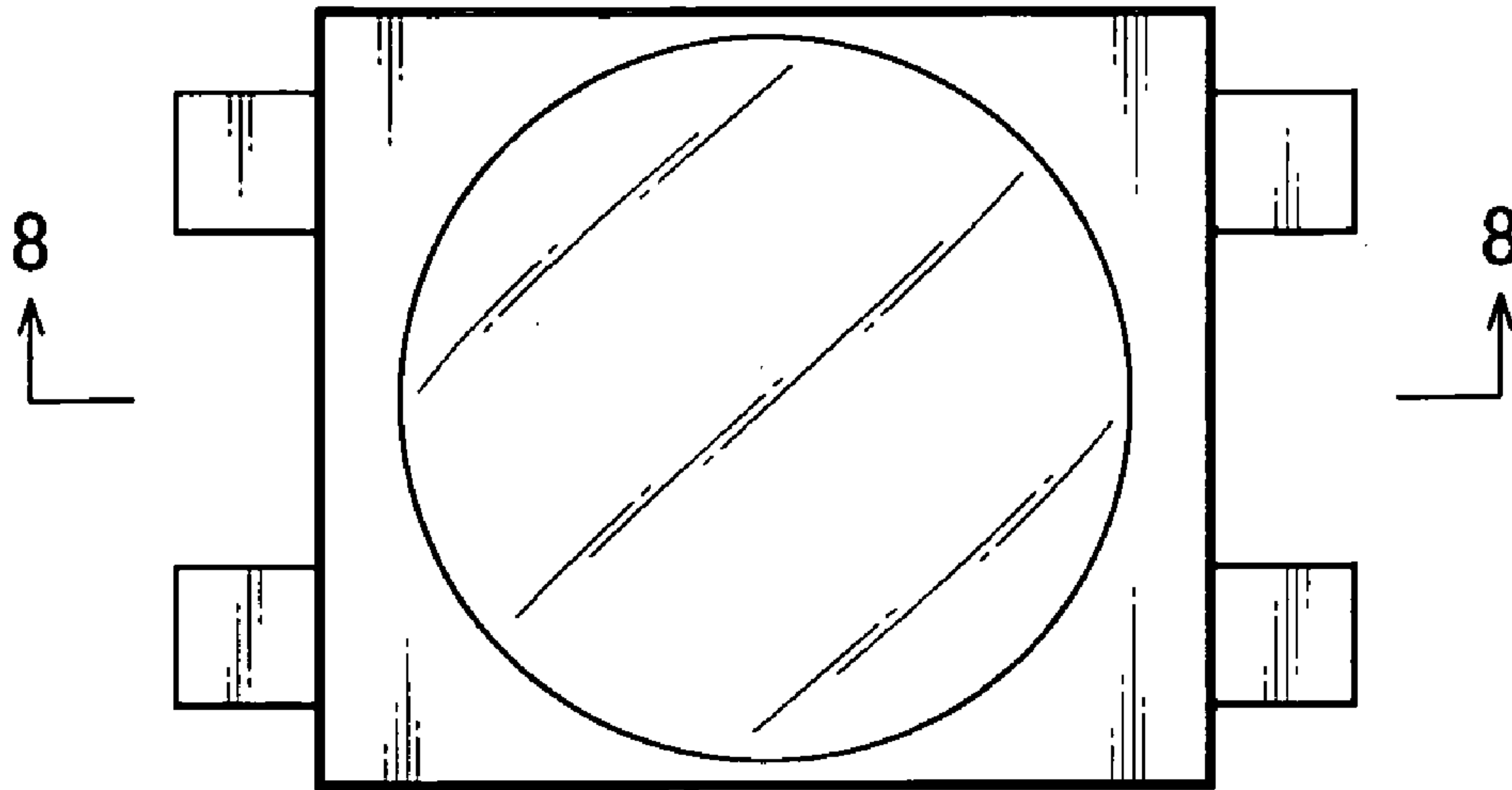


FIG.5

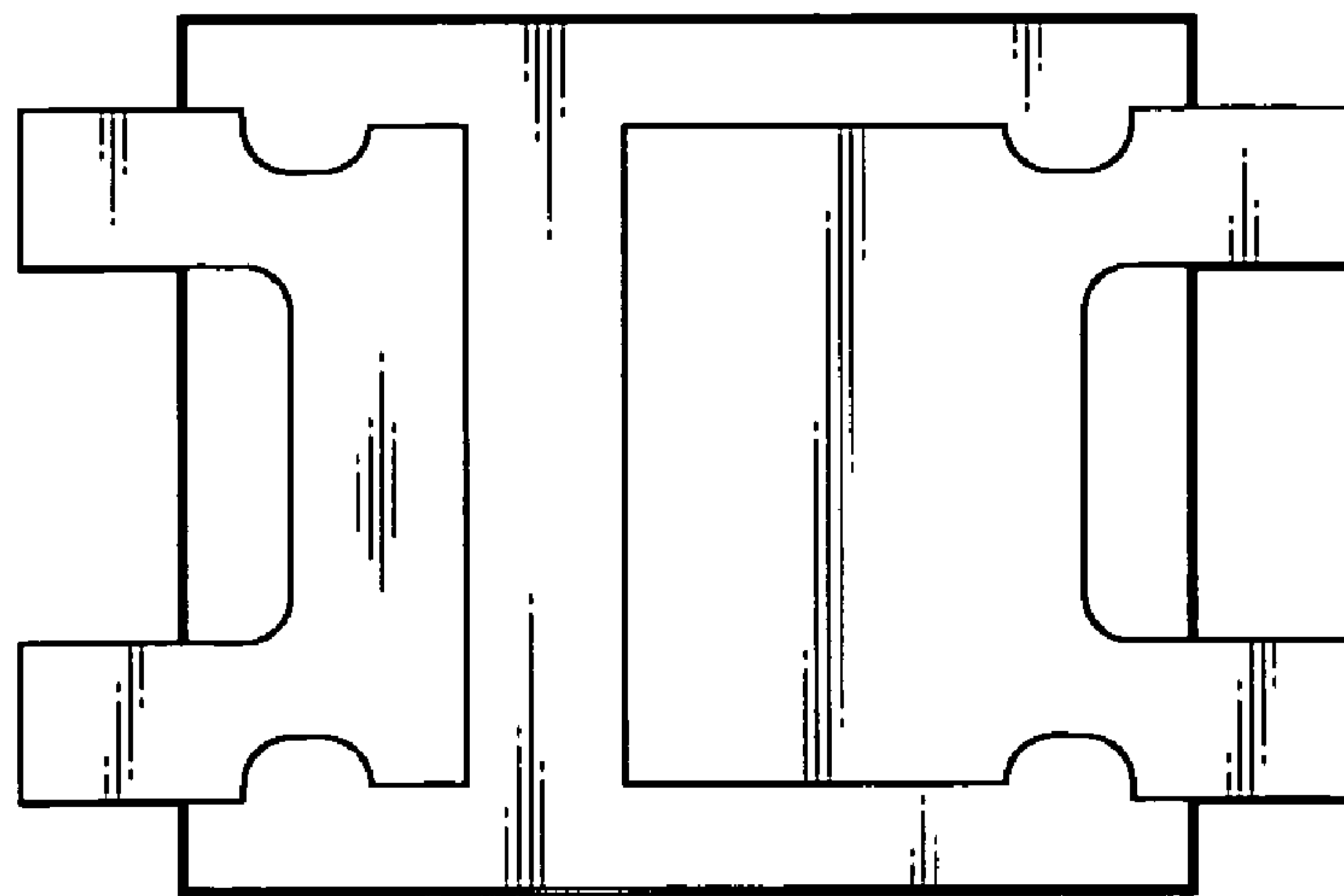


FIG.6

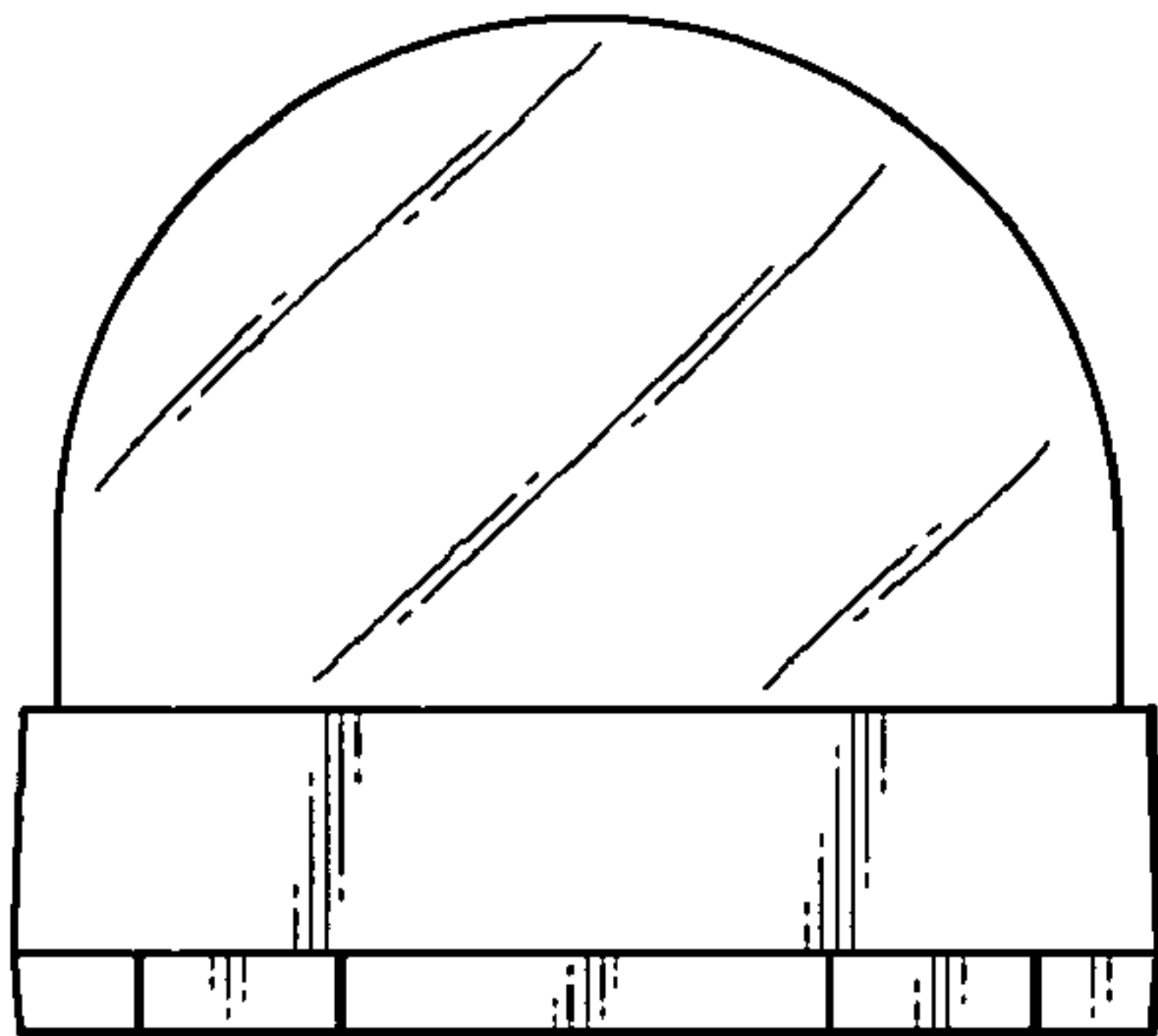


FIG.7

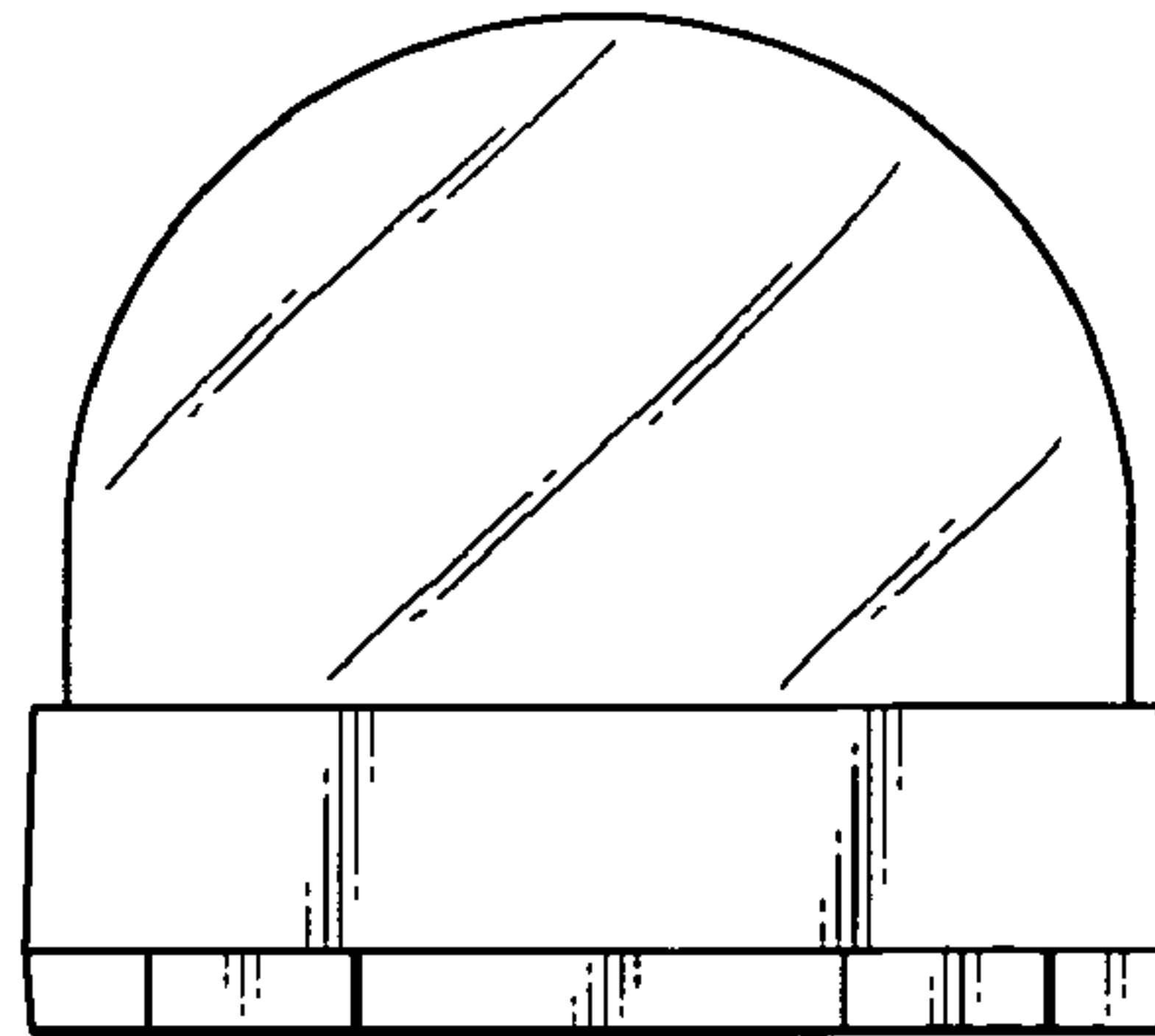


FIG.8

