



US00D576572S

(12) **United States Design Patent**
Hata et al.

(10) **Patent No.:** **US D576,572 S**
(45) **Date of Patent:** **** Sep. 9, 2008**

(54) **LIGHT EMITTING DIODE MODULE**

(75) Inventors: **Yasunori Hata**, Kyoto (JP); **Masahiko Kobayakawa**, Kyoto (JP)

(73) Assignee: **Rohm Co., Ltd.**, Kyoto (JP)

(**) Term: **14 Years**

(21) Appl. No.: **29/294,417**

(22) Filed: **Jan. 10, 2008**

(30) **Foreign Application Priority Data**

Jul. 13, 2007 (JP) 2007-019119

(51) **LOC (8) Cl.** **13-03**

(52) **U.S. Cl.** **D13/180**

(58) **Field of Classification Search** D13/180;
D26/2; 257/79, 80, 81, 88, 89, 95, 98, 99,
257/100; 313/483, 498, 500; 362/555, 800
See application file for complete search history.

(56) **References Cited**

U.S. PATENT DOCUMENTS

5,266,817 A * 11/1993 Lin 257/89
5,841,154 A * 11/1998 Uchio et al. 257/99
6,274,890 B1 * 8/2001 Oshio et al. 257/98
D491,897 S * 6/2004 Kamada D13/180
D491,898 S * 6/2004 Kamada D13/180

D515,519 S * 2/2006 Egoshi et al. D13/180
D525,949 S * 8/2006 Kamada D13/180
7,321,161 B2 * 1/2008 Teixeira et al. 257/675
2007/0045823 A1 * 3/2007 Miller 257/706

* cited by examiner

Primary Examiner—Selina Sikder

(74) *Attorney, Agent, or Firm*—Hamre, Schumann, Mueller & Larson, P.C.

(57) **CLAIM**

We claim the ornamental design for a light emitting diode module, as shown.

DESCRIPTION

FIG. 1 is a perspective view of a light emitting diode module according to my new design;

FIG. 2 is a front view of the same module;

FIG. 3 is a rear view of the same module;

FIG. 4 is a top plan view of the same module;

FIG. 5 is a bottom view of the same module;

FIG. 6 is a left side view of the same module;

FIG. 7 is a right side view of the same module; and,

FIG. 8 is a sectional view of the same module taken along lines 8—8 in FIG. 4.

1 Claim, 3 Drawing Sheets

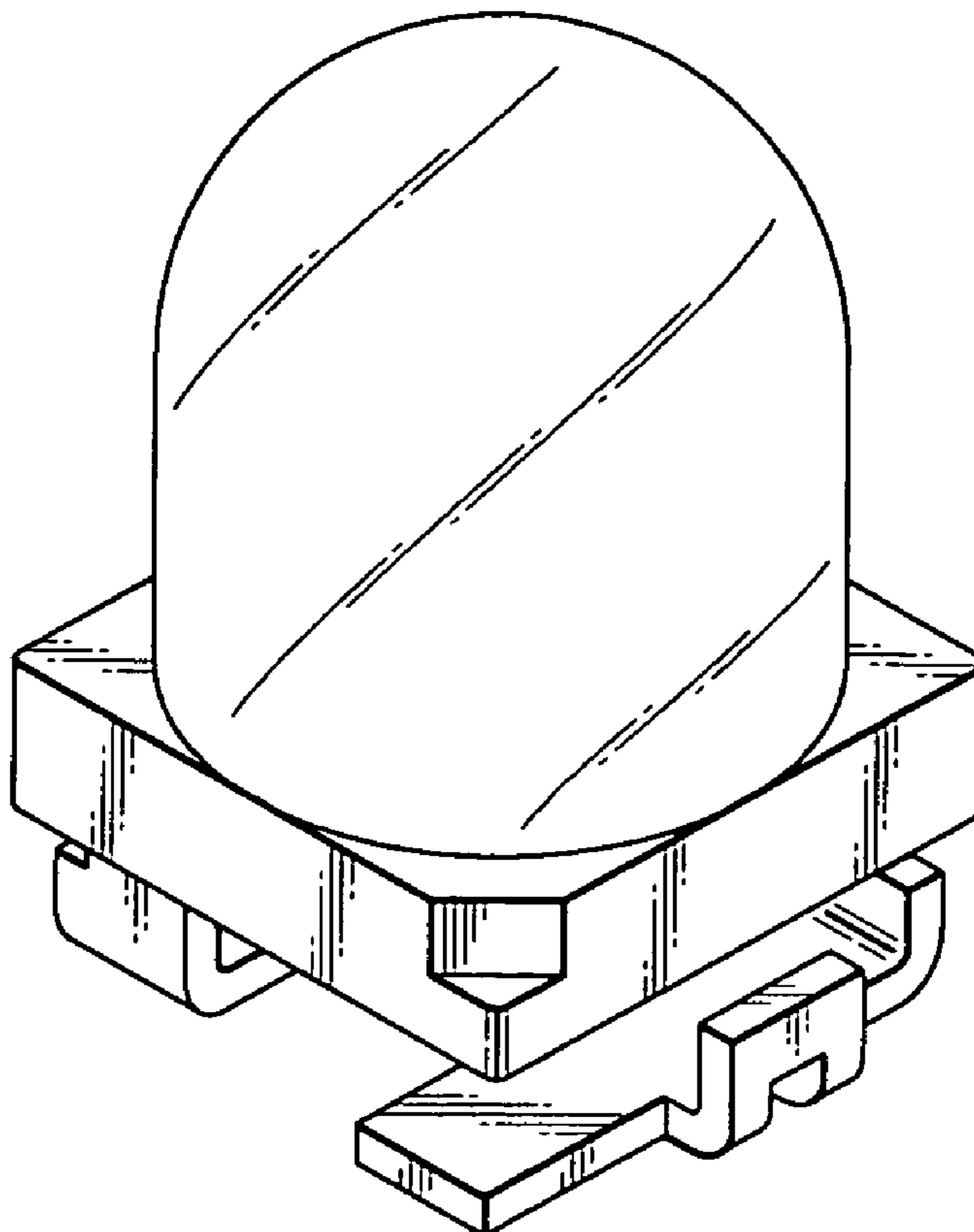


FIG.1

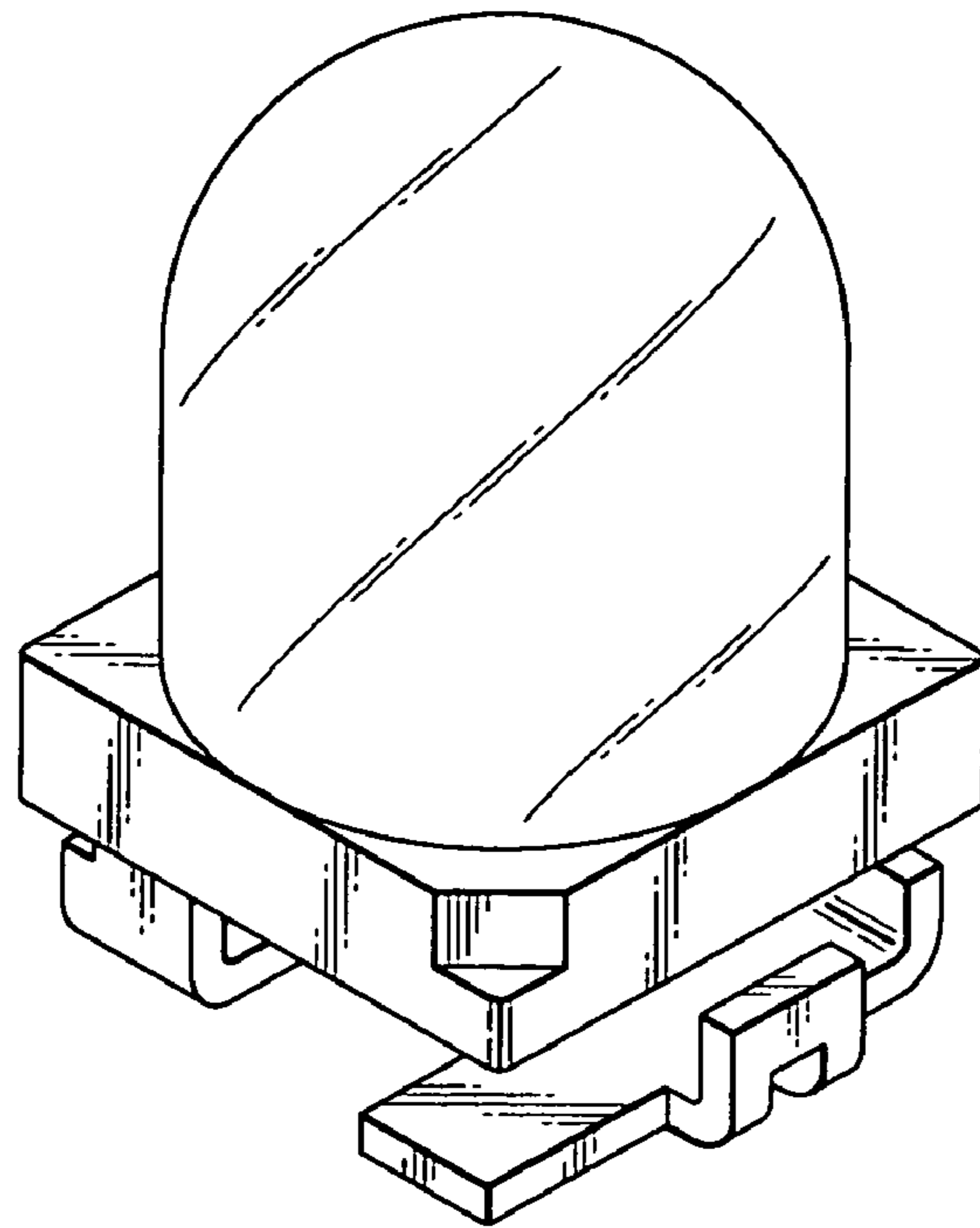


FIG.2

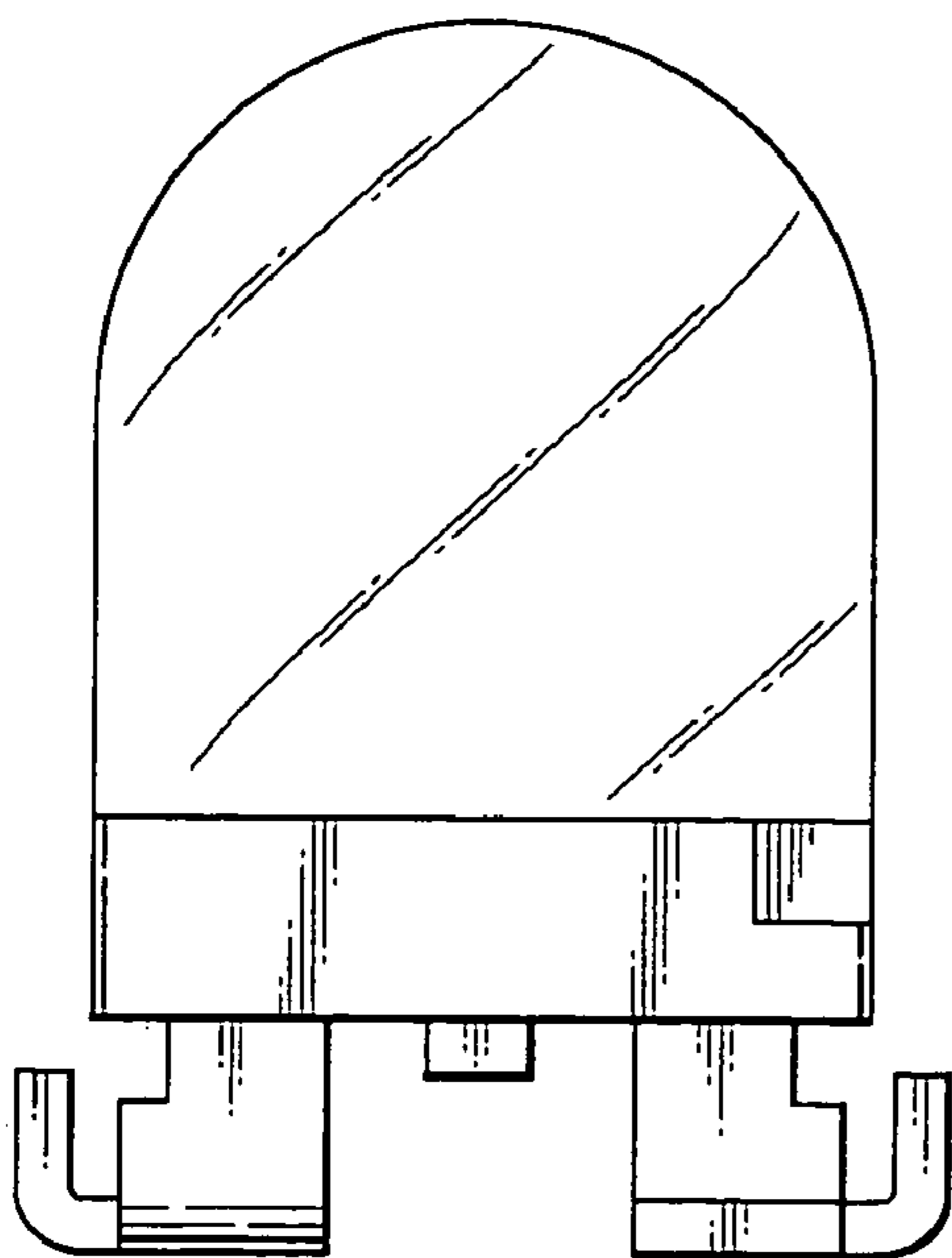


FIG.3

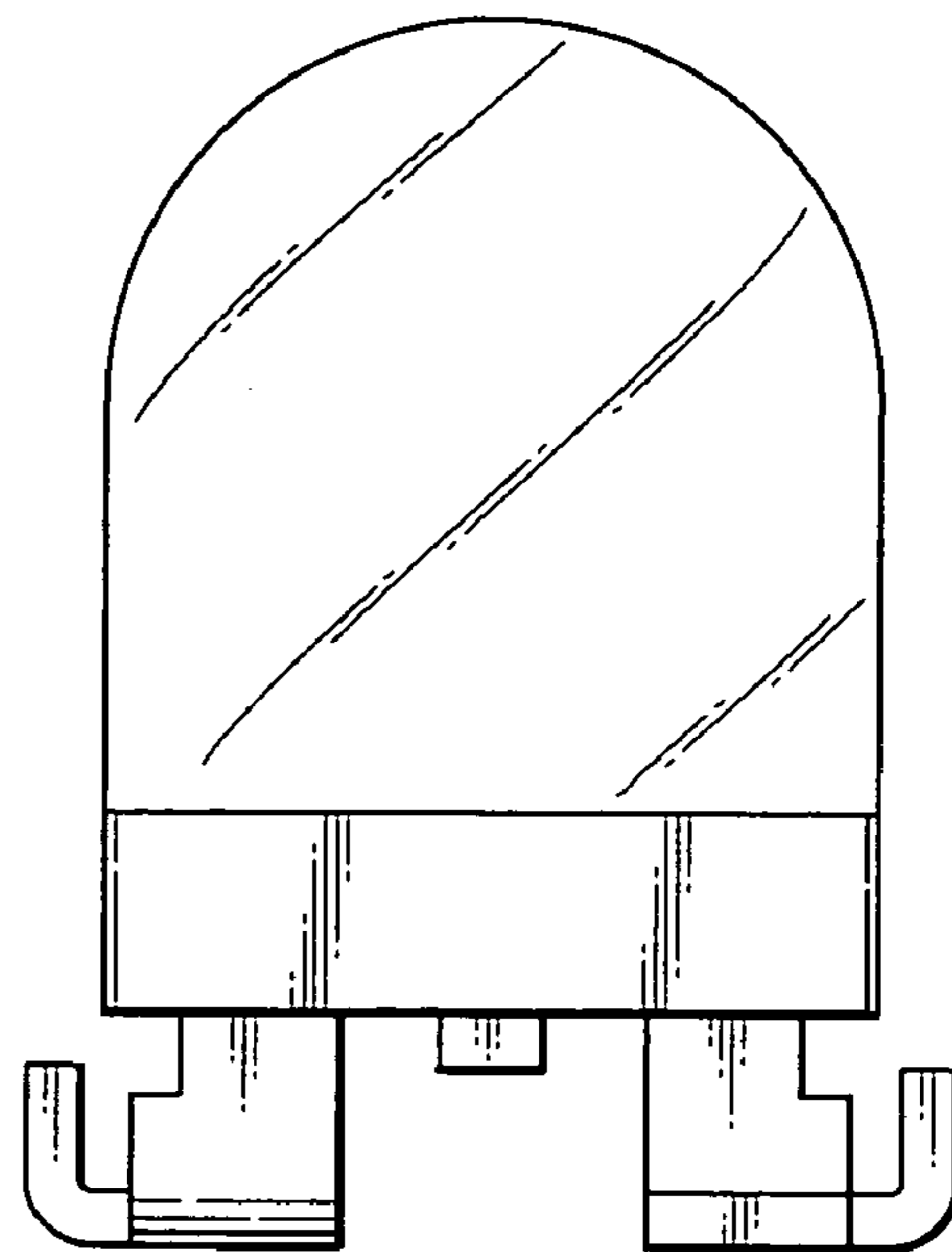


FIG.4

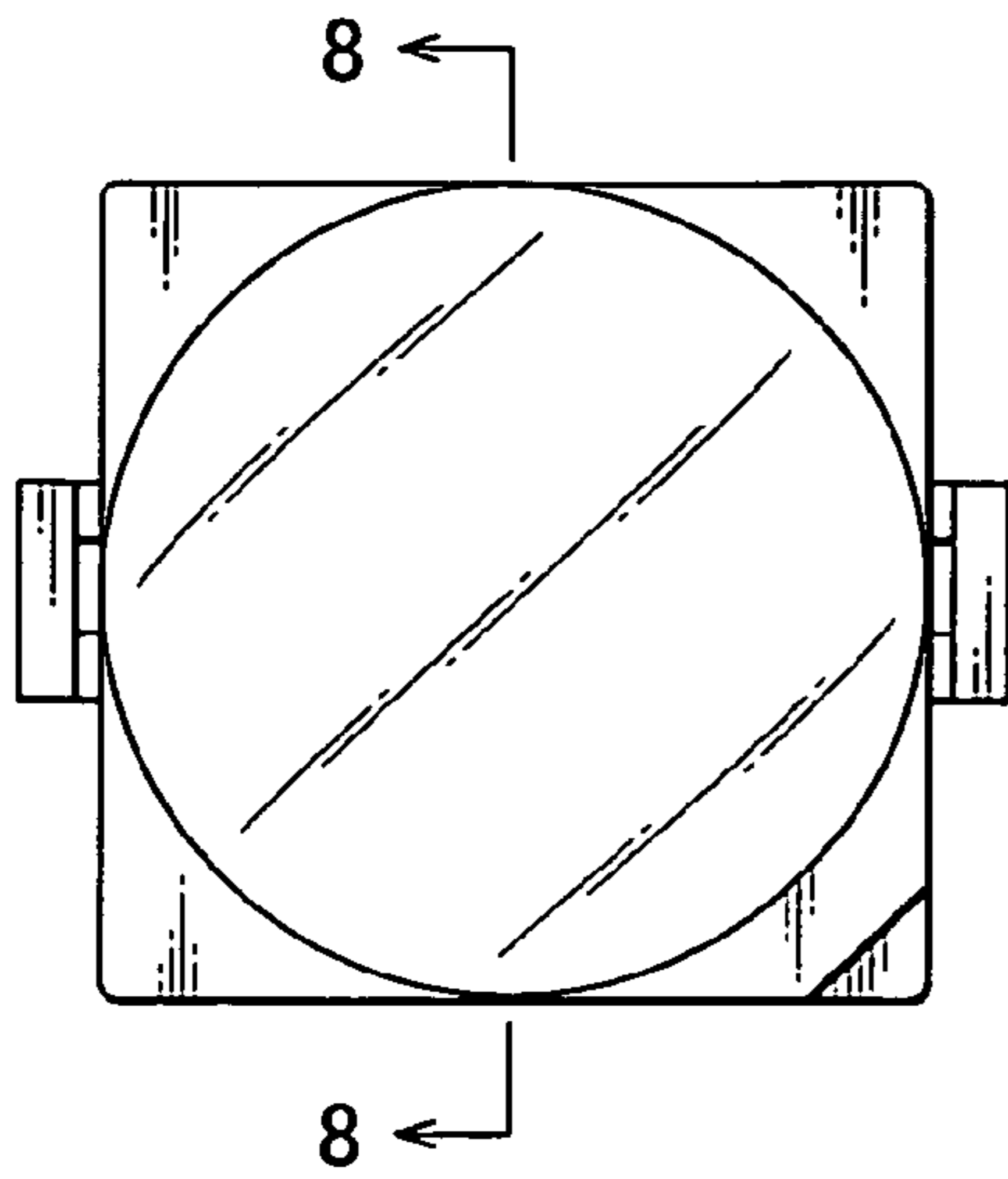


FIG.5

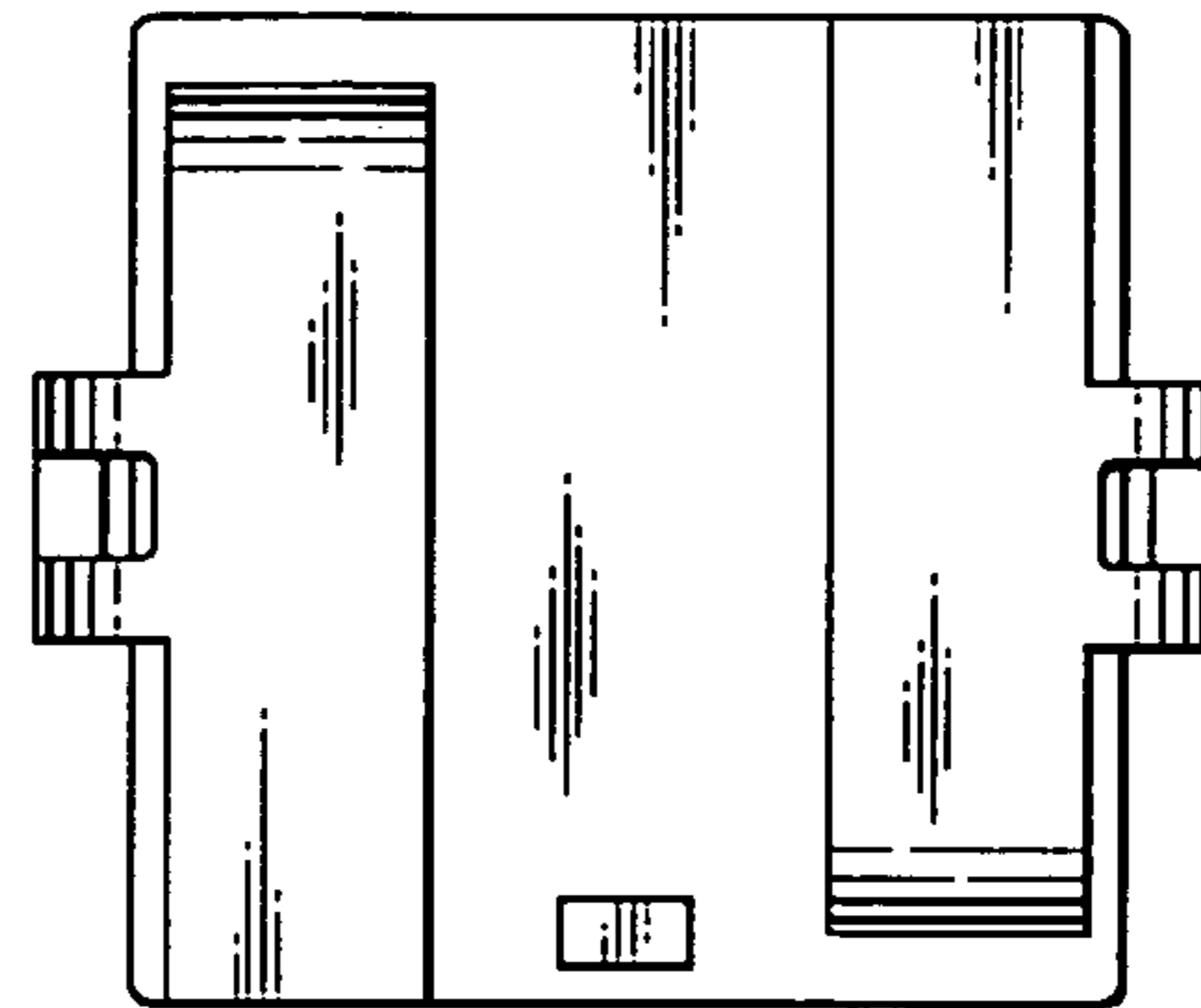


FIG.6

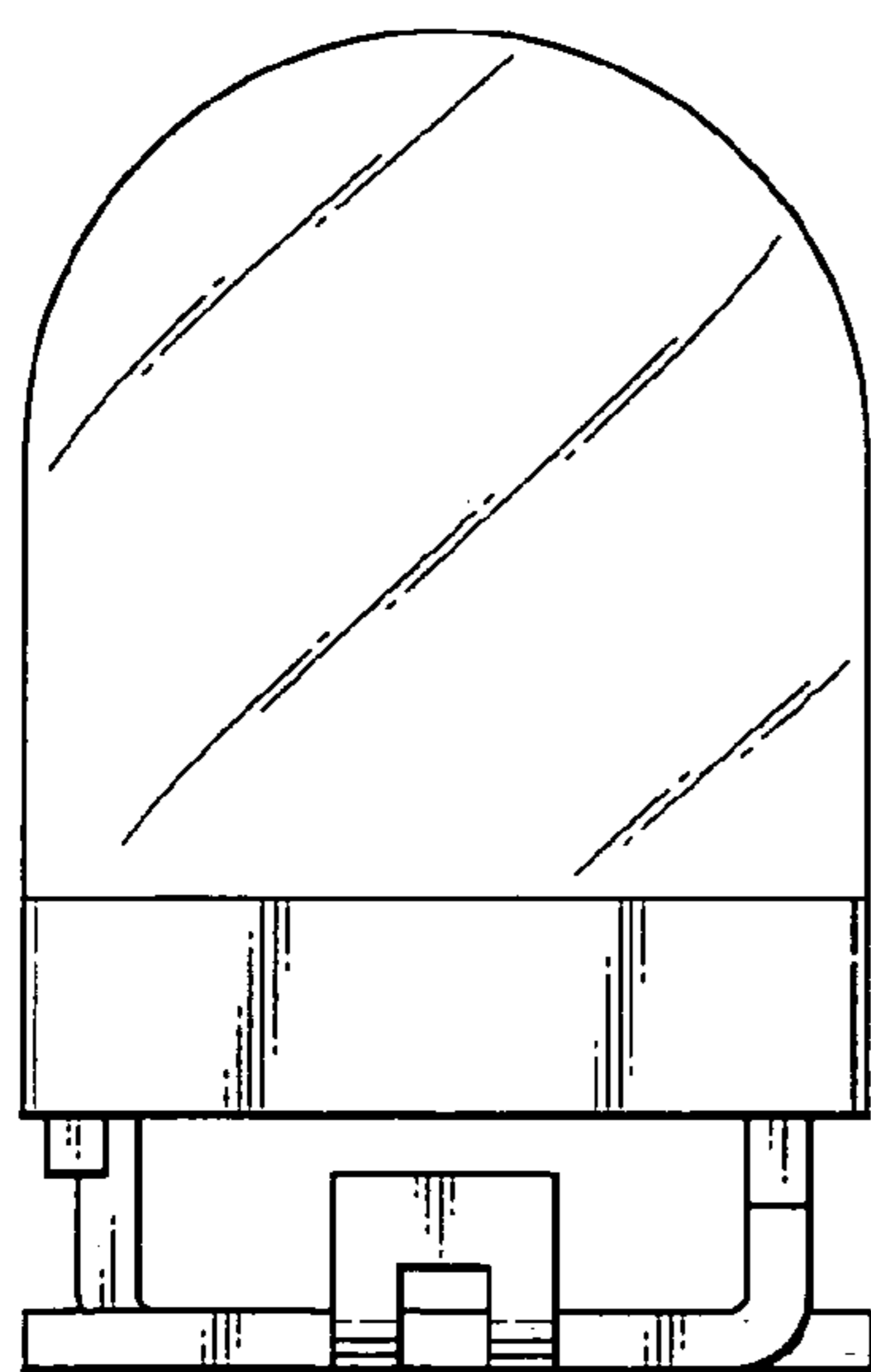


FIG.7

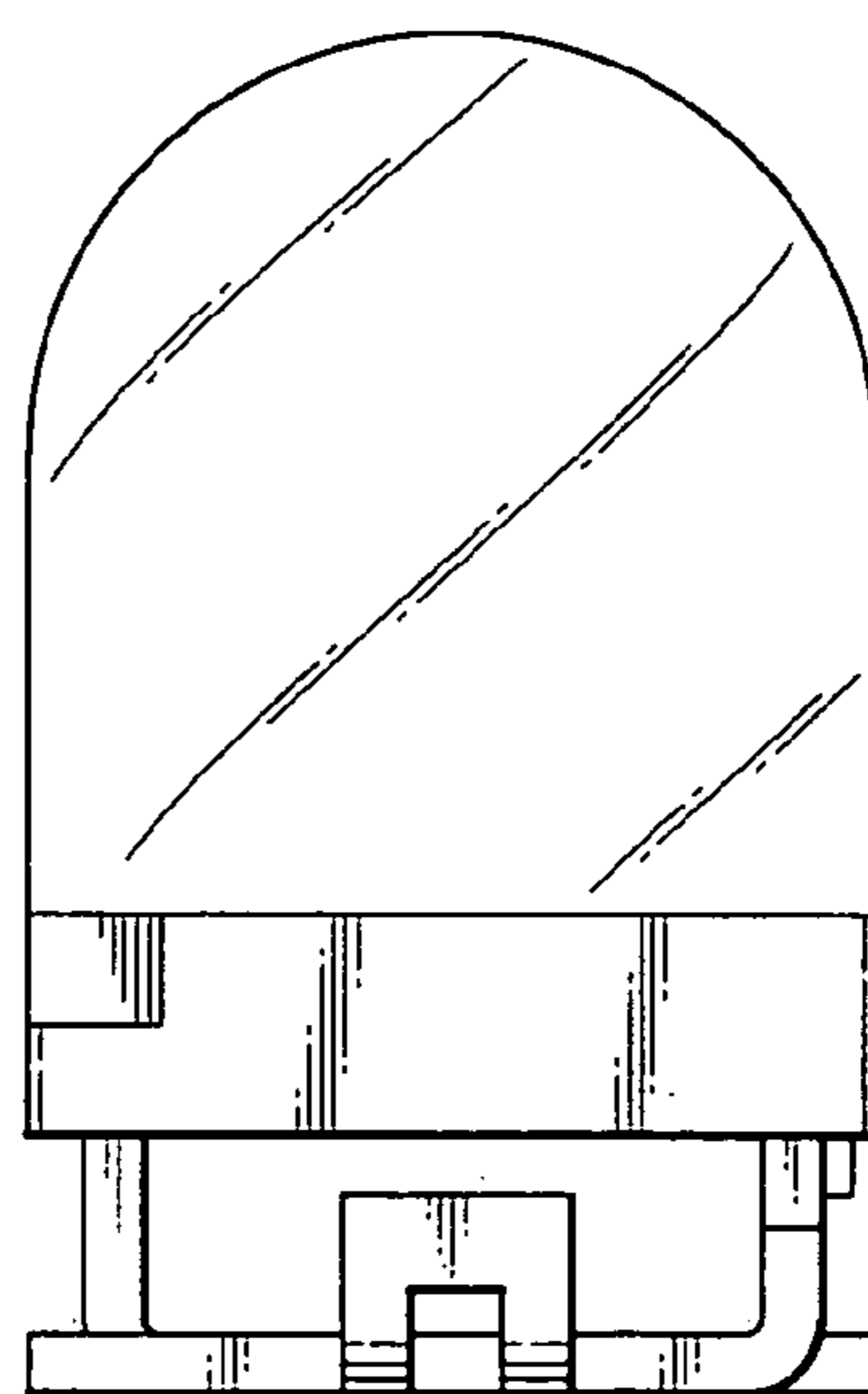


FIG.8

