



US00D576570S

(12) **United States Design Patent**  
**Chen et al.**

(10) **Patent No.:** **US D576,570 S**

(45) **Date of Patent:** **\*\* Sep. 9, 2008**

(54) **LIGHT EMITTING DIODE**

(75) Inventors: **Chen-Lun Hsing Chen**, Taoyuan Hsien (TW); **Jung-Hao Hung**, Taoyuan Hsien (TW)

(73) Assignee: **Prolight Opto Technology Corporation**, Taoyuan Hsien (TW)

(\*\*) Term: **14 Years**

(21) Appl. No.: **29/287,351**

(22) Filed: **Jul. 27, 2007**

(51) **LOC (8) Cl.** ..... **13-03**

(52) **U.S. Cl.** ..... **D13/180**

(58) **Field of Classification Search** ..... D13/180;  
D26/2; 257/79, 80, 81, 88, 89, 95, 98, 99,  
257/100; 313/483, 498, 500; 362/555, 800  
See application file for complete search history.

(56) **References Cited**

**U.S. PATENT DOCUMENTS**

D497,883 S \* 11/2004 Wedig et al. .... D13/180  
D499,075 S \* 11/2004 Yoon et al. .... D13/180  
D520,466 S \* 5/2006 Kamiya et al. .... D13/180

D531,140 S \* 10/2006 Konno et al. .... D13/180  
D548,704 S \* 8/2007 Wu et al. .... D13/180  
2003/0160256 A1 \* 8/2003 Durocher et al. .... 257/88  
2007/0063213 A1 \* 3/2007 Hsieh et al. .... 257/99

\* cited by examiner

*Primary Examiner*—Selina Sikder

(74) *Attorney, Agent, or Firm*—Troxell Law Office, PLLC

(57) **CLAIM**

The ornamental design for a light emitting diode, as shown and described.

**DESCRIPTION**

FIG. 1 is a perspective view of a light emitting diode showing my new design;

FIG. 2 is a front elevational view thereof;

FIG. 3 is a rear elevational view thereof;

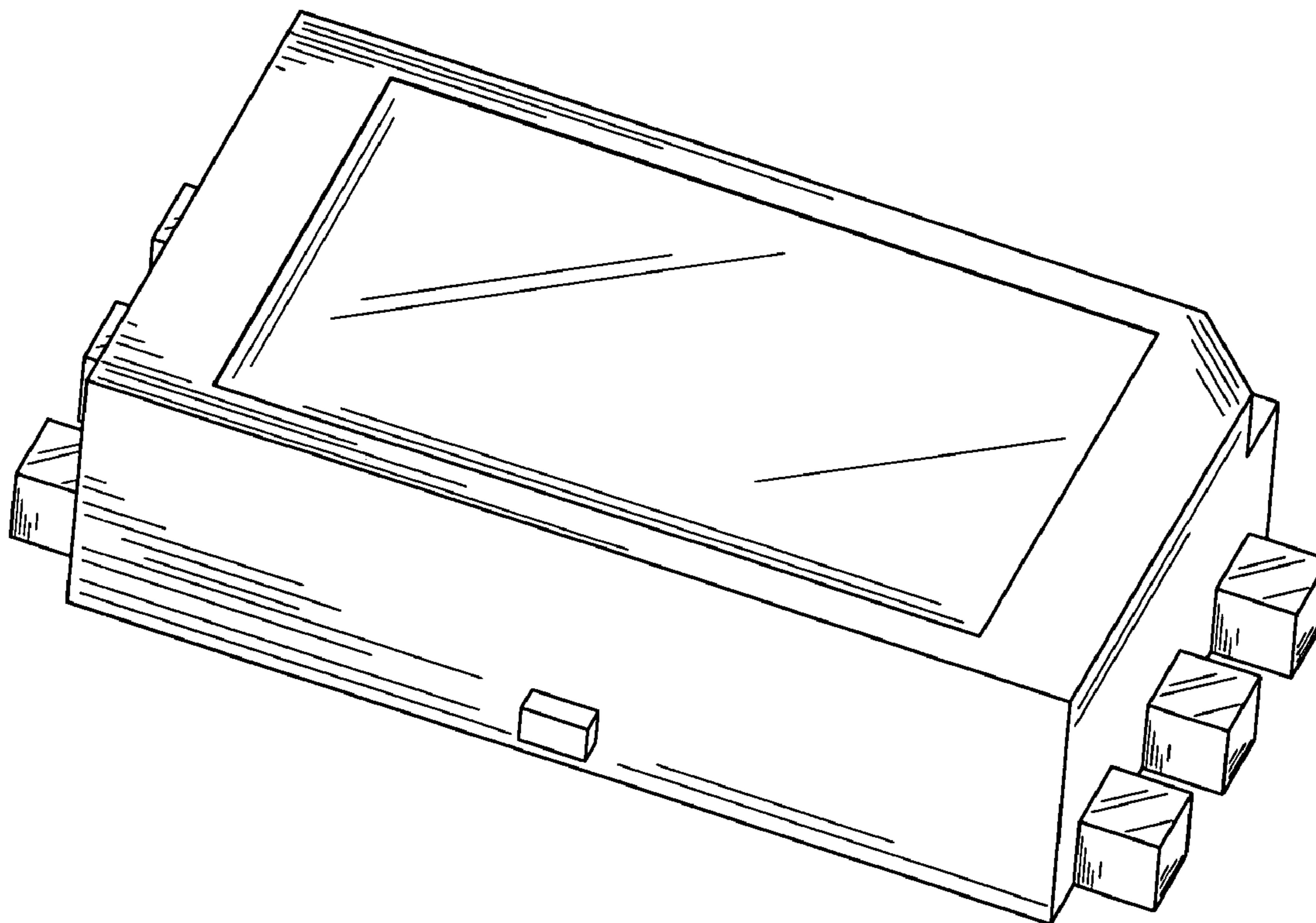
FIG. 4 is a left side elevational view thereof;

FIG. 5 is a right side elevational view thereof;

FIG. 6 is a top plan view thereof; and,

FIG. 7 is a bottom plan view thereof wherein the broken lines form no part of the claimed design.

**1 Claim, 7 Drawing Sheets**



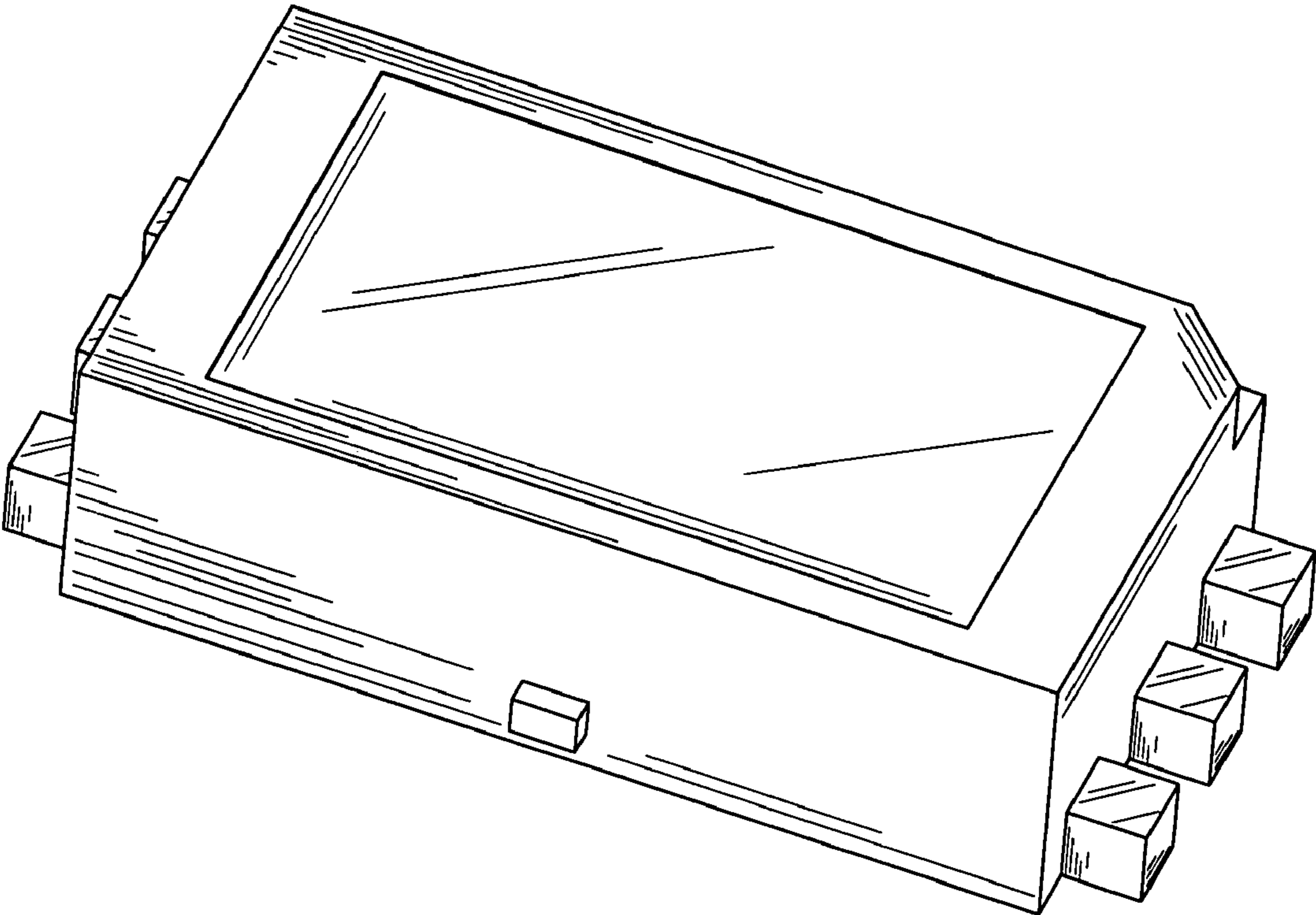


Fig.1

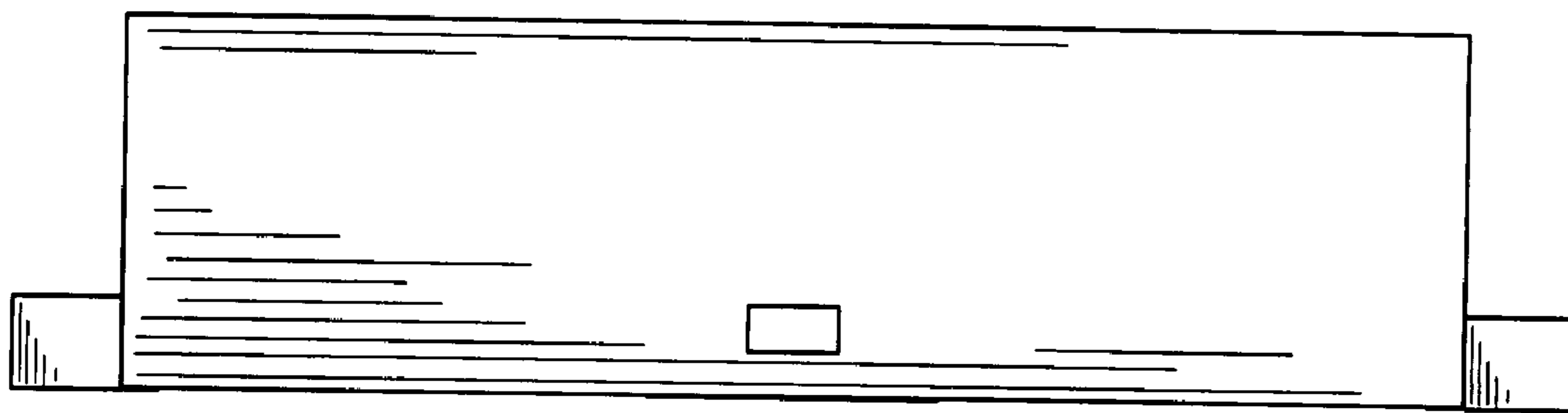


Fig.2

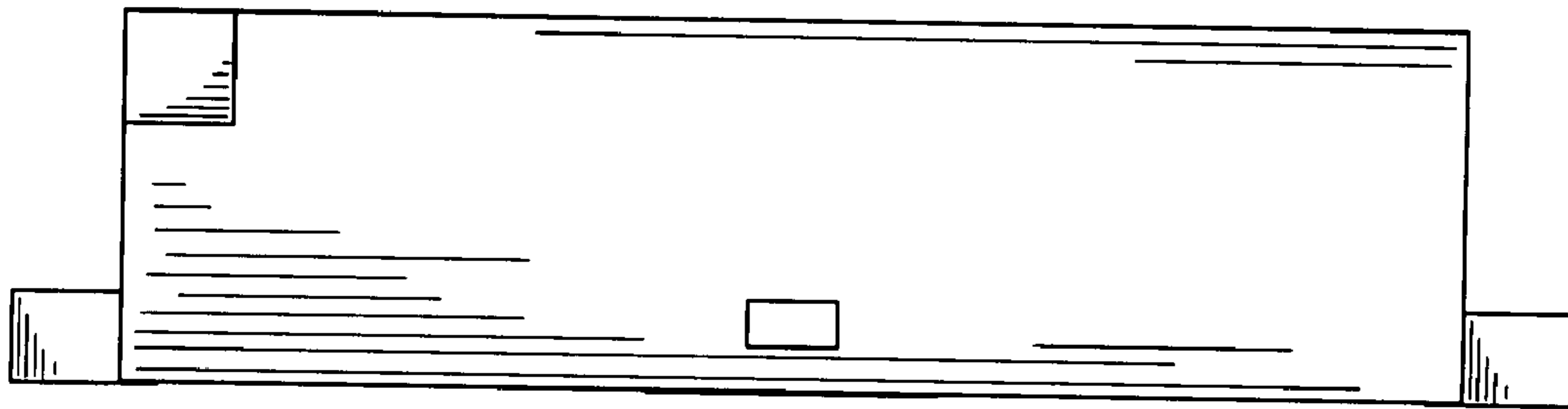


Fig.3

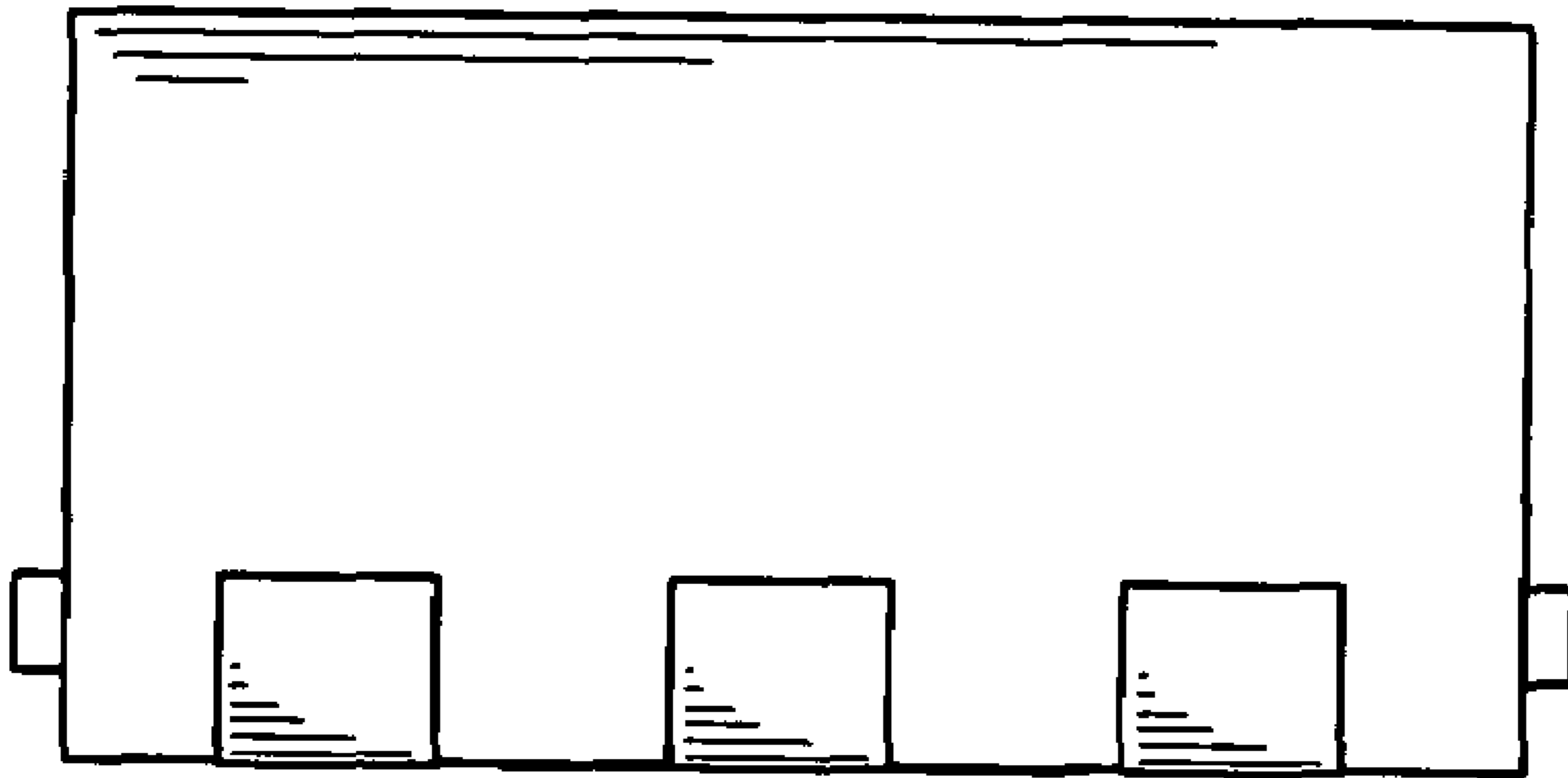


Fig. 4

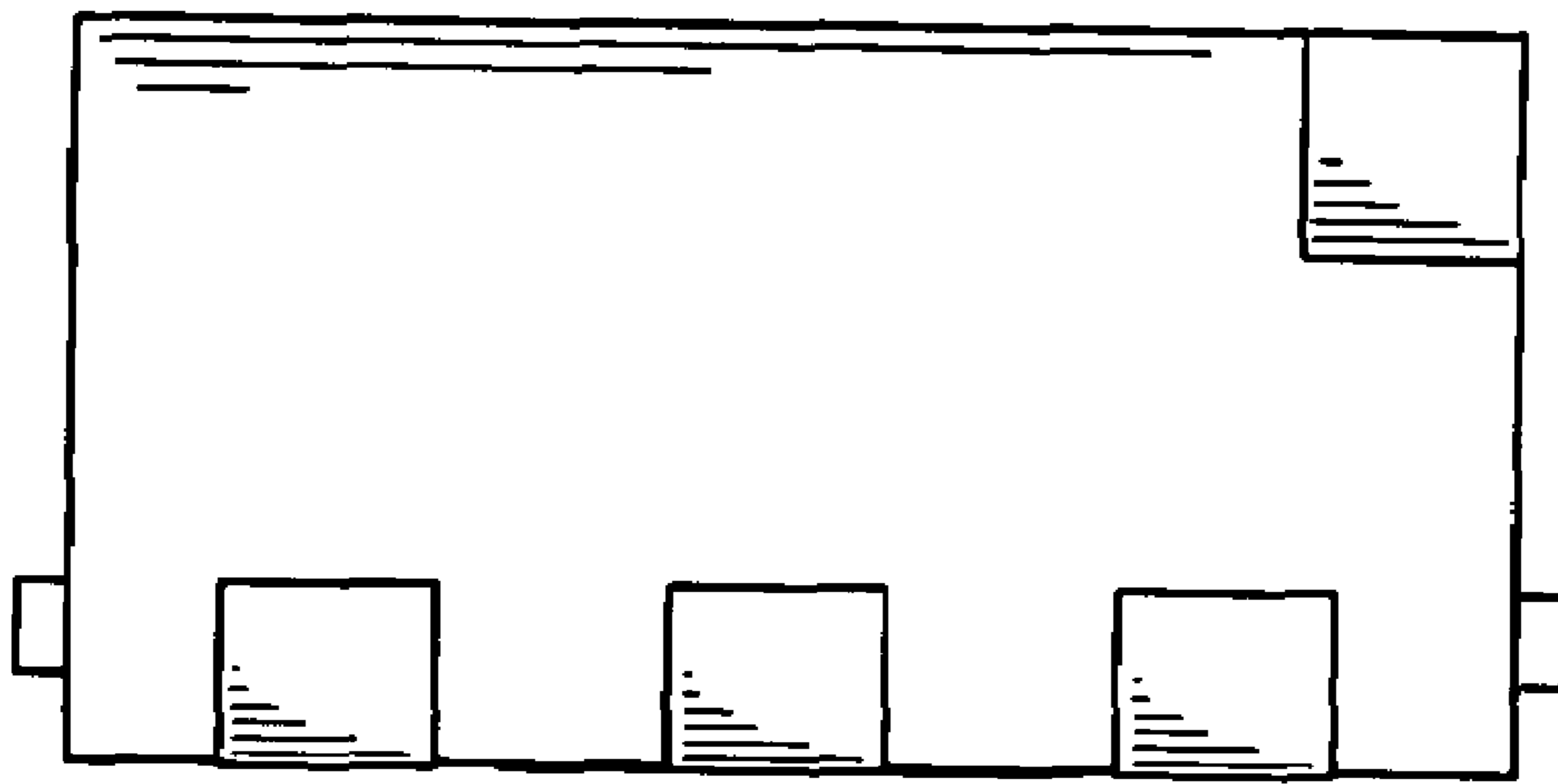


Fig.5

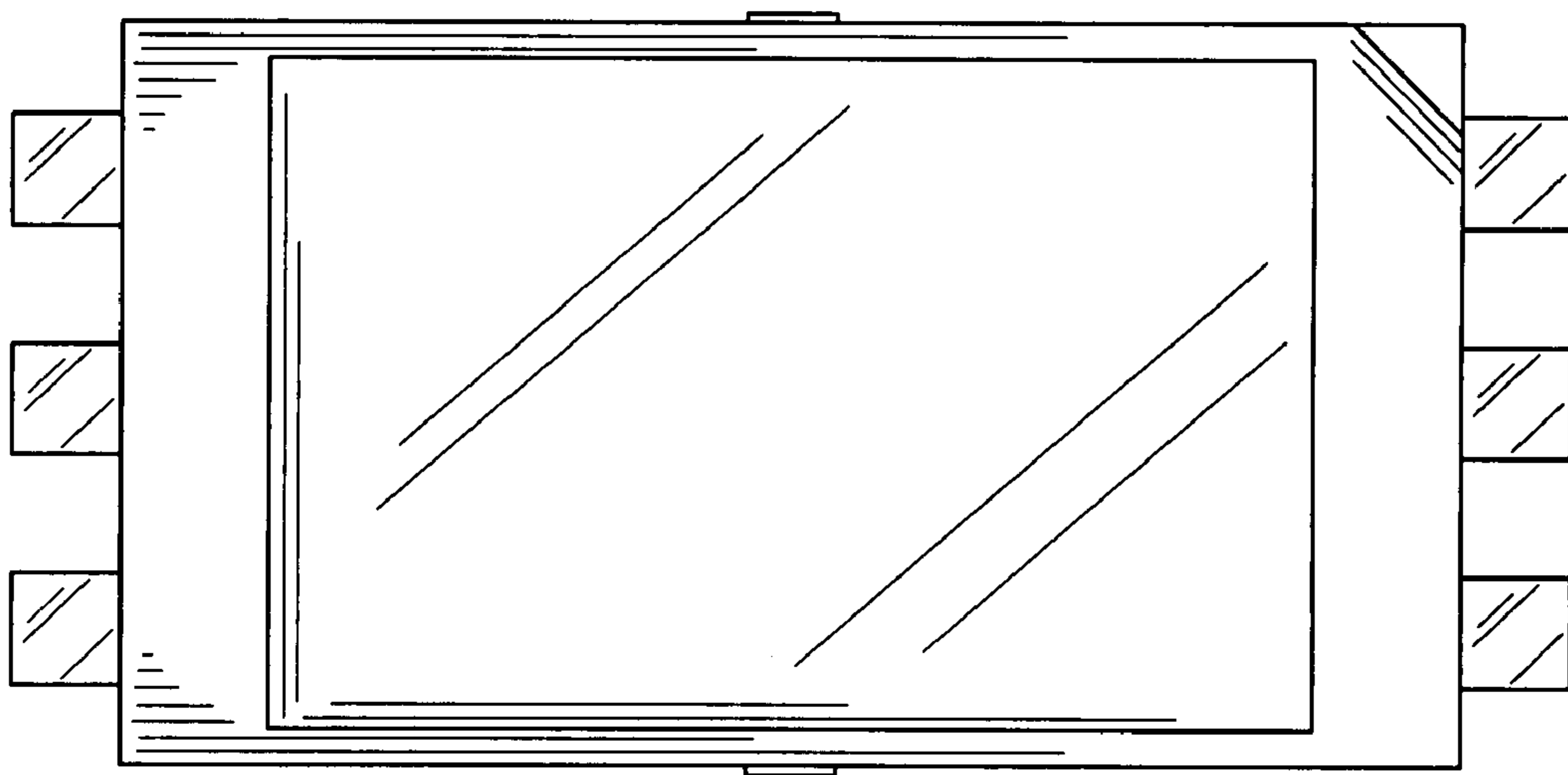


Fig.6

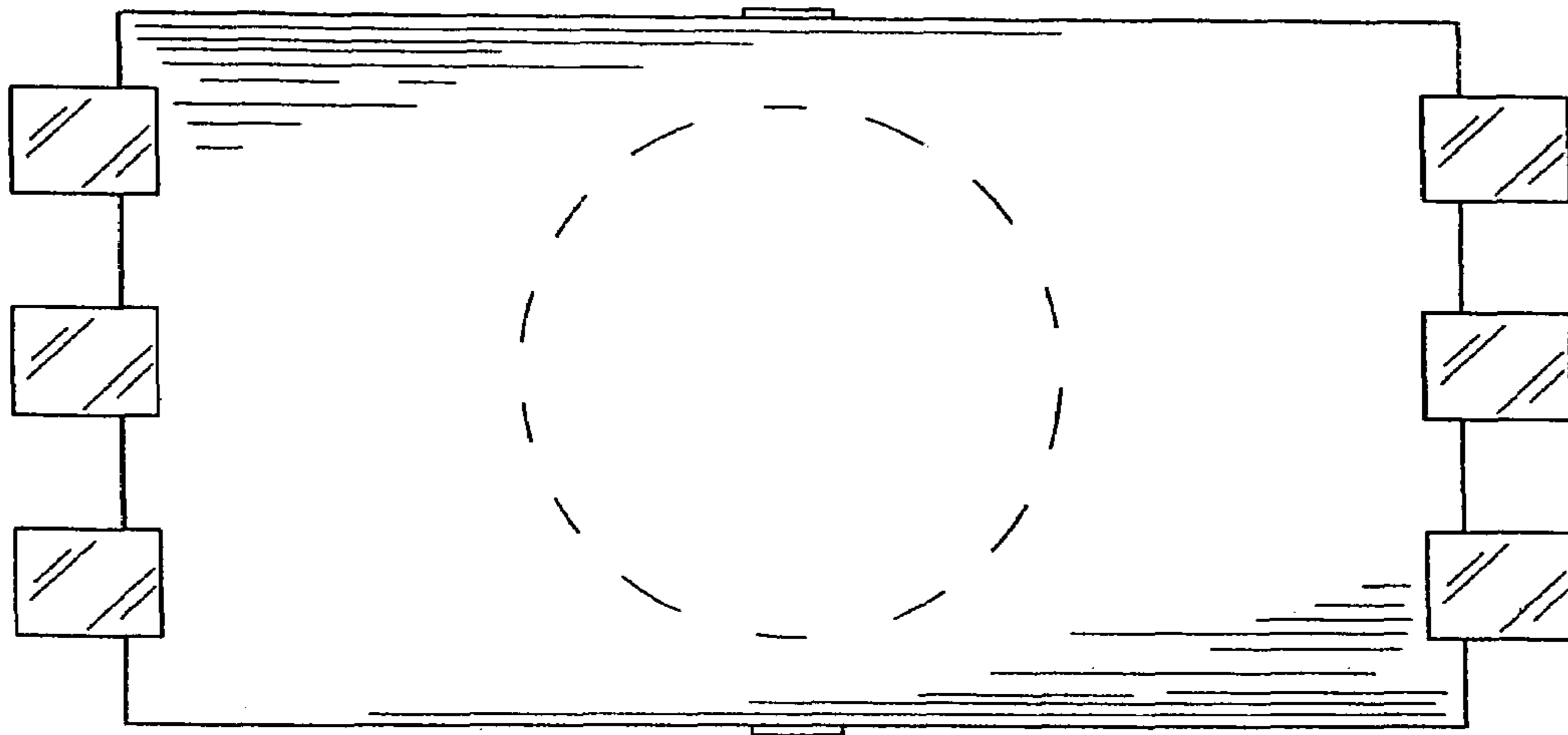


Fig.7