



US00D576569S

(12) **United States Design Patent**  
**Chen et al.**

(10) **Patent No.:** **US D576,569 S**  
(45) **Date of Patent:** **\*\* Sep. 9, 2008**

(54) **LIGHT EMITTING DIODE**

(75) Inventors: **Chen-Lun Hsing Chen**, Taoyuan Hsien (TW); **Hsu-Keng Tseng**, Taoyuan Hsien (TW); **Jung-Hao Hung**, Taoyuan Hsien (TW); **Fong-Luan Lee**, Taoyuan Hsien (TW)

(73) Assignee: **Prolight Opto Technology Corporation**, Taoyuan Hsien (TW)

(\*\*) Term: **14 Years**

(21) Appl. No.: **29/287,336**

(22) Filed: **Jul. 25, 2007**

(51) **LOC (8) Cl.** ..... **13-03**

(52) **U.S. Cl.** ..... **D13/180**

(58) **Field of Classification Search** ..... D13/180;  
D26/2; 257/79, 80, 81, 88, 89, 95, 98, 99,  
257/100; 313/483, 498, 500; 362/555, 800  
See application file for complete search history.

(56) **References Cited**

U.S. PATENT DOCUMENTS

6,274,924 B1 \* 8/2001 Carey et al. .... 257/676  
6,371,637 B1 \* 4/2002 Atchinson et al. .... 362/555  
6,726,502 B1 \* 4/2004 Hayes ..... 439/422

6,999,318 B2 \* 2/2006 Newby ..... 361/719  
D530,288 S \* 10/2006 Nagai ..... D13/180  
D532,383 S \* 11/2006 Nagai et al. .... D13/180  
D534,504 S \* 1/2007 Kim et al. .... D13/180  
D542,743 S \* 5/2007 Jung et al. .... D13/180  
2006/0092637 A1 \* 5/2006 Yeh ..... 362/249

\* cited by examiner

*Primary Examiner*—Selina Sikder

(74) *Attorney, Agent, or Firm*—Troxell Law Office, PLLC

(57) **CLAIM**

The ornamental design for a light emitting diode, as shown and described.

**DESCRIPTION**

FIG. 1 is a perspective view of a light emitting diode (LED) showing my new design;

FIG. 2 is a front elevational view thereof;

FIG. 3 is a rear elevational view thereof;

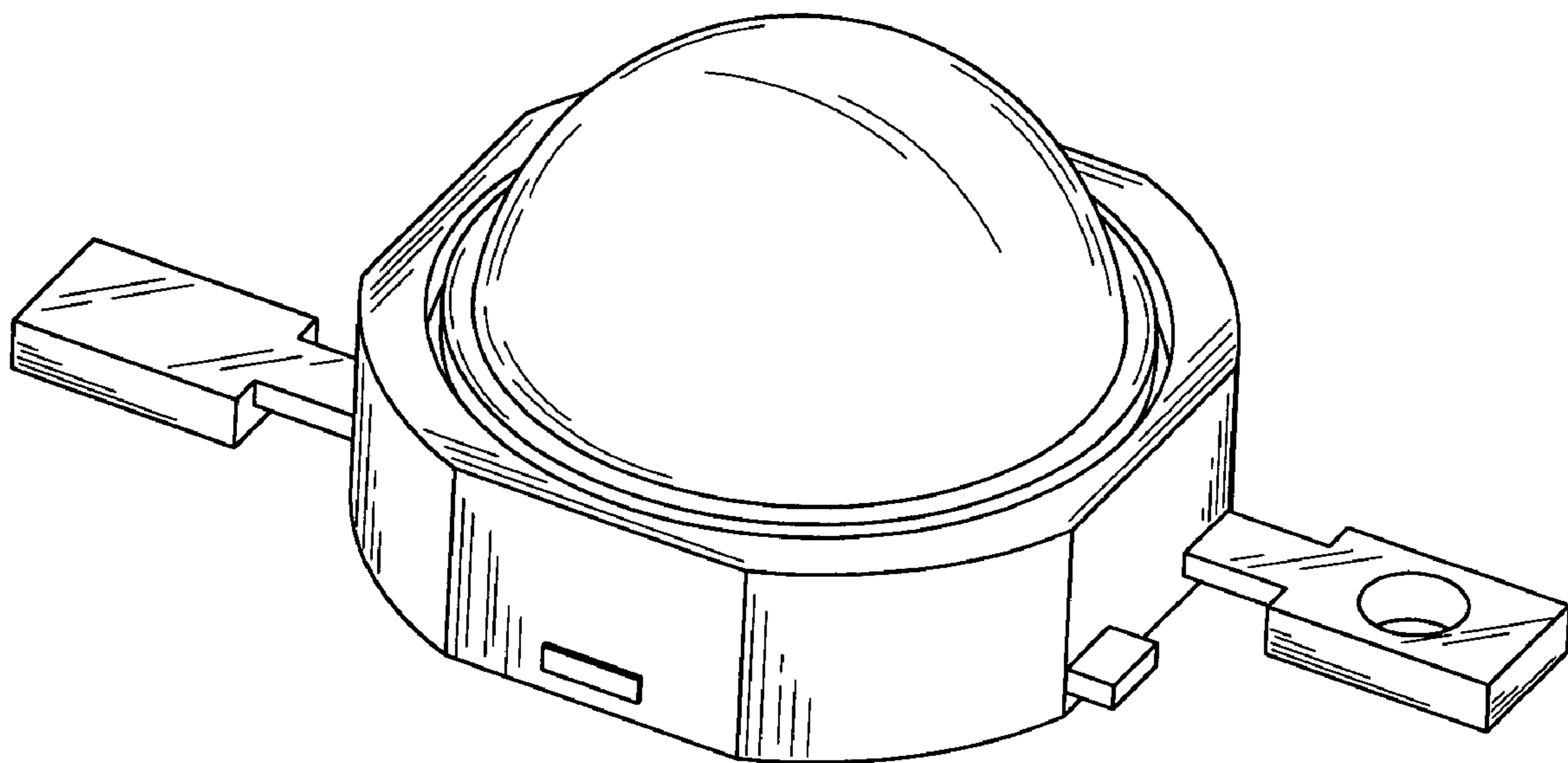
FIG. 4 is a left side elevational view thereof;

FIG. 5 is a right side elevational view thereof;

FIG. 6 is a top plan view thereof; and,

FIG. 7 is a bottom plan view thereof wherein the broken lines form no part of the claimed design.

**1 Claim, 7 Drawing Sheets**



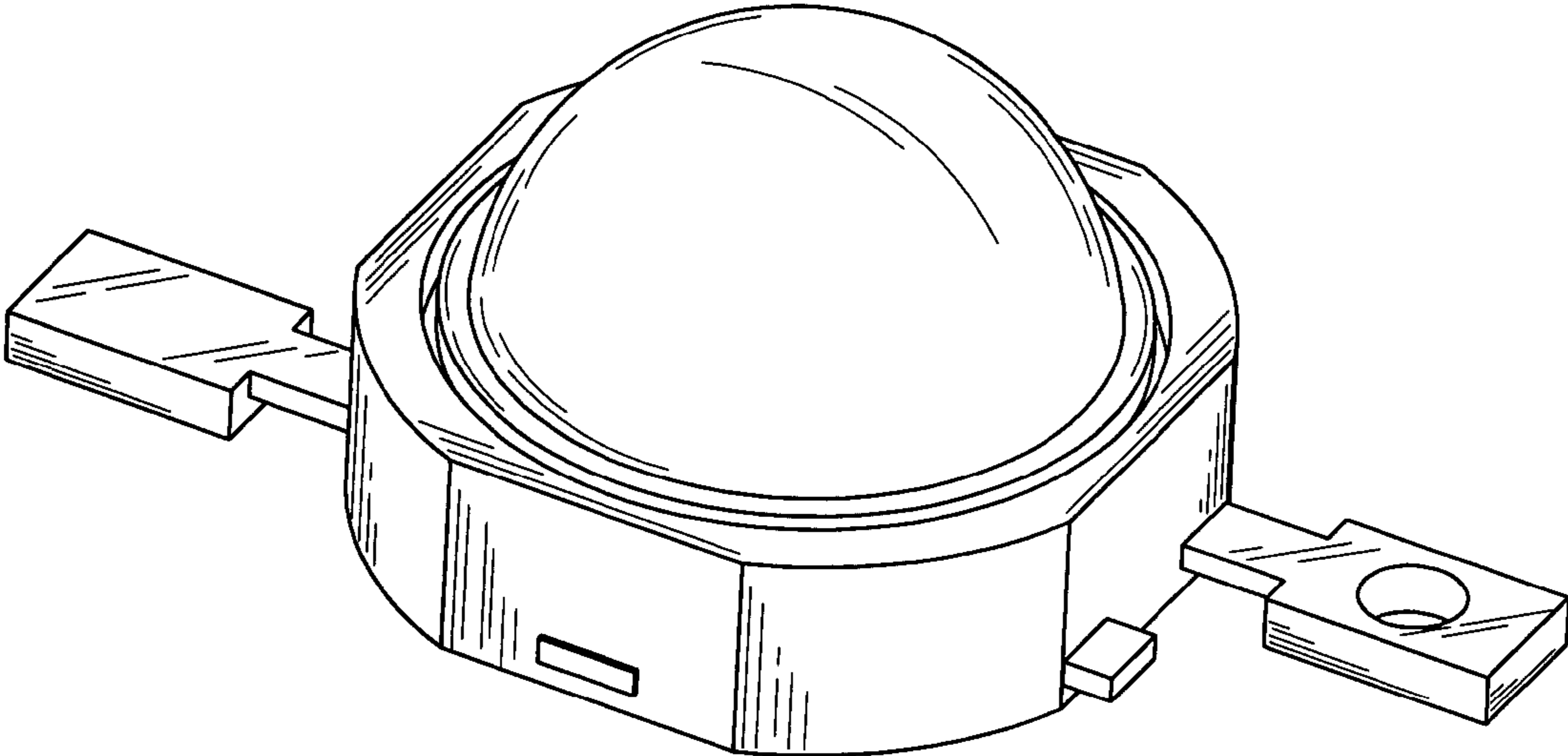


Fig.1

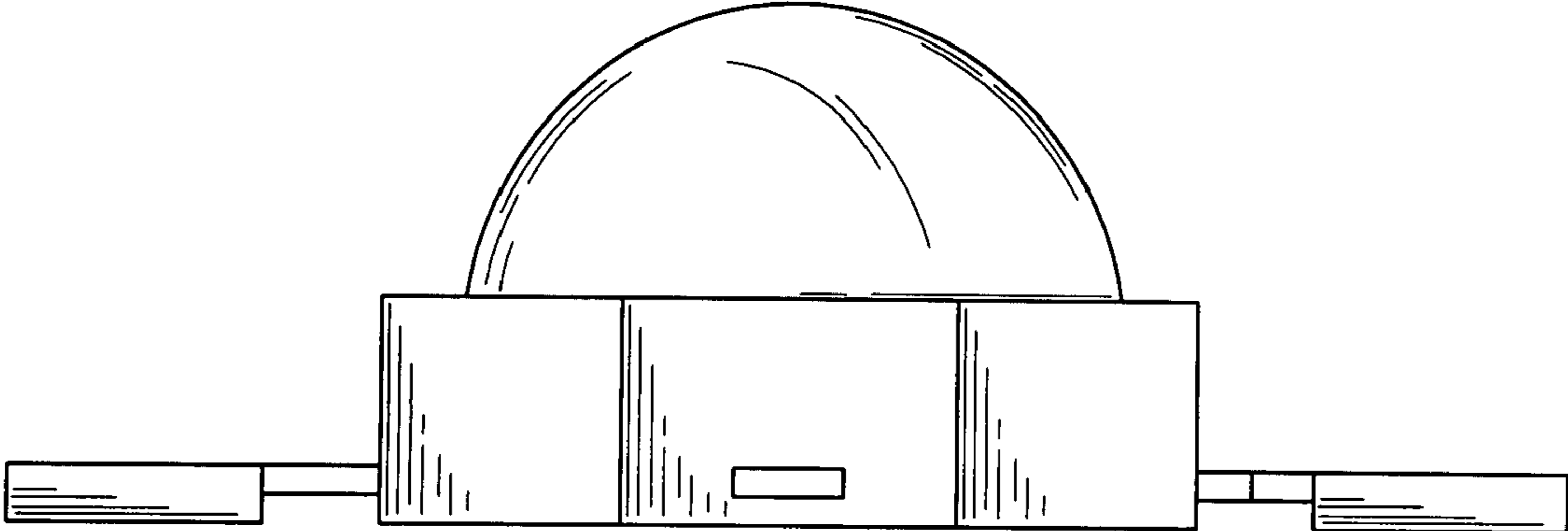


Fig.2

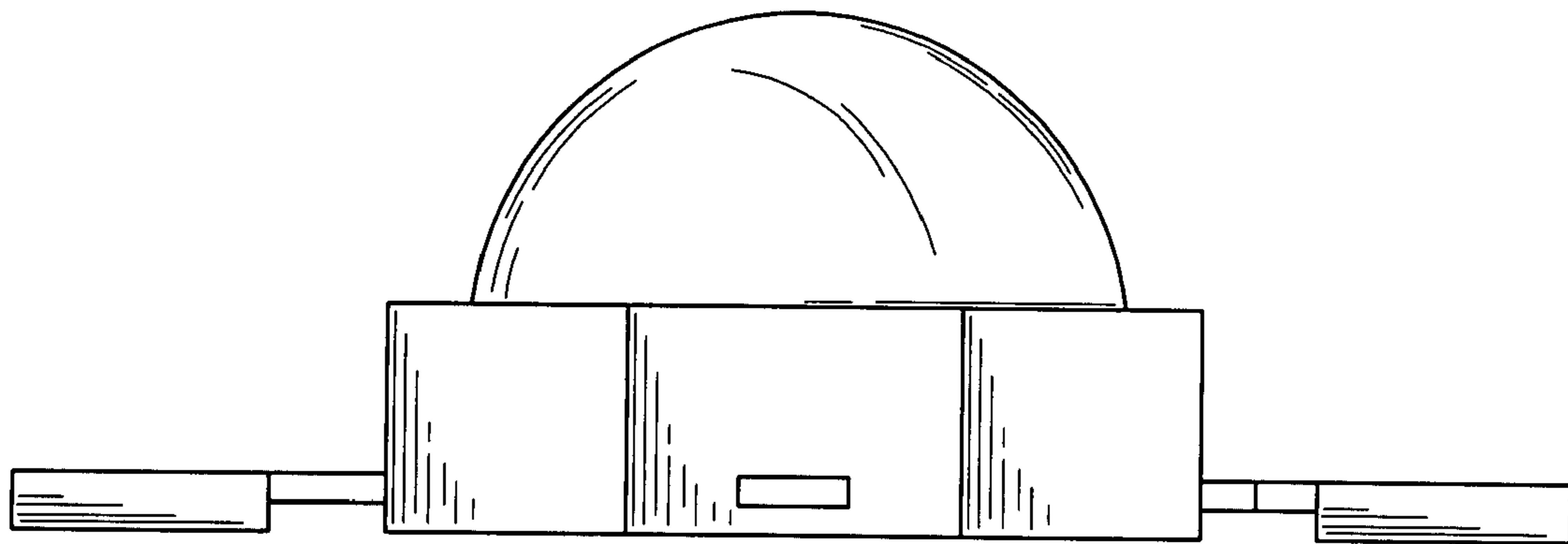


Fig.3

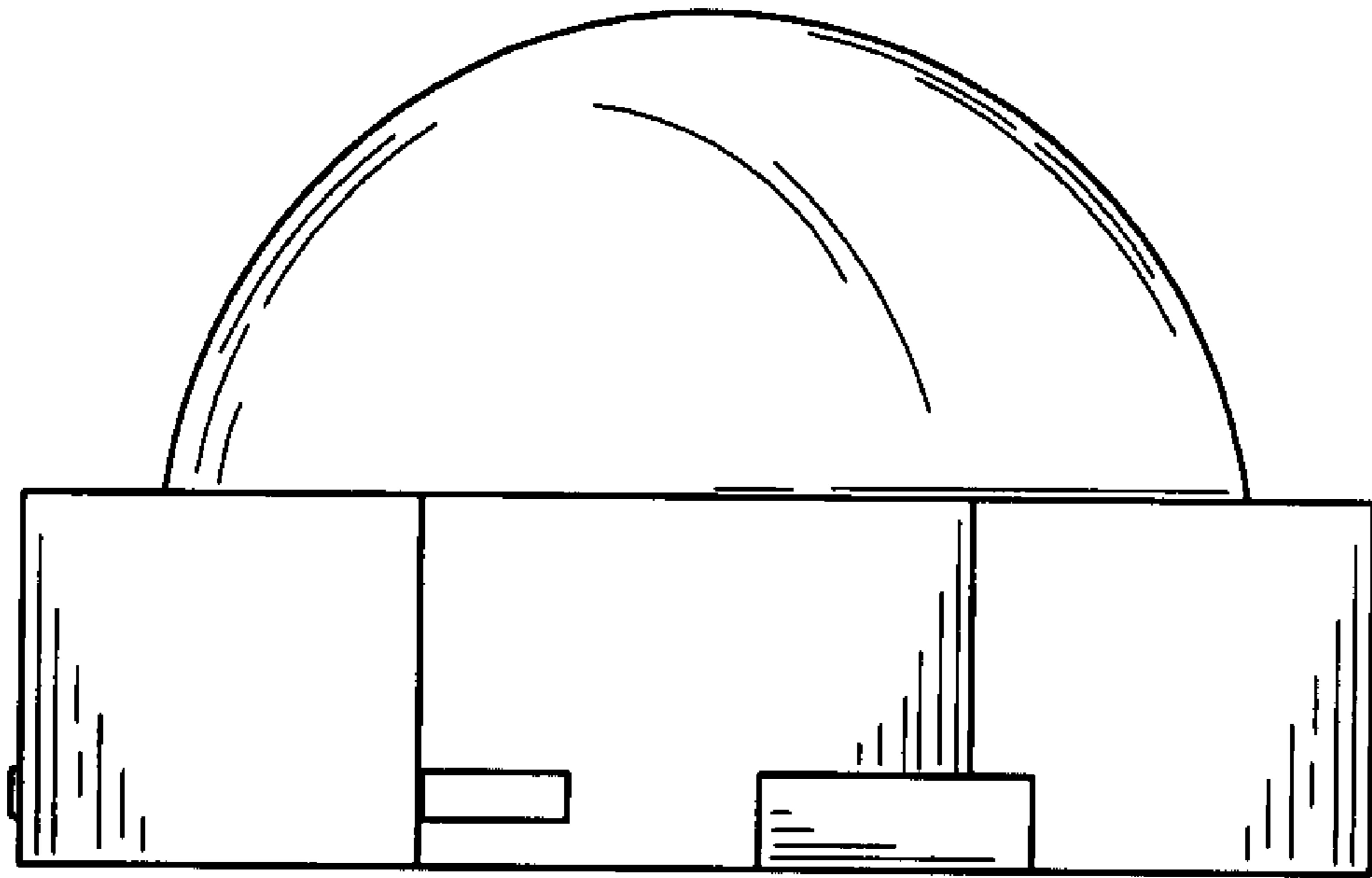


Fig.4

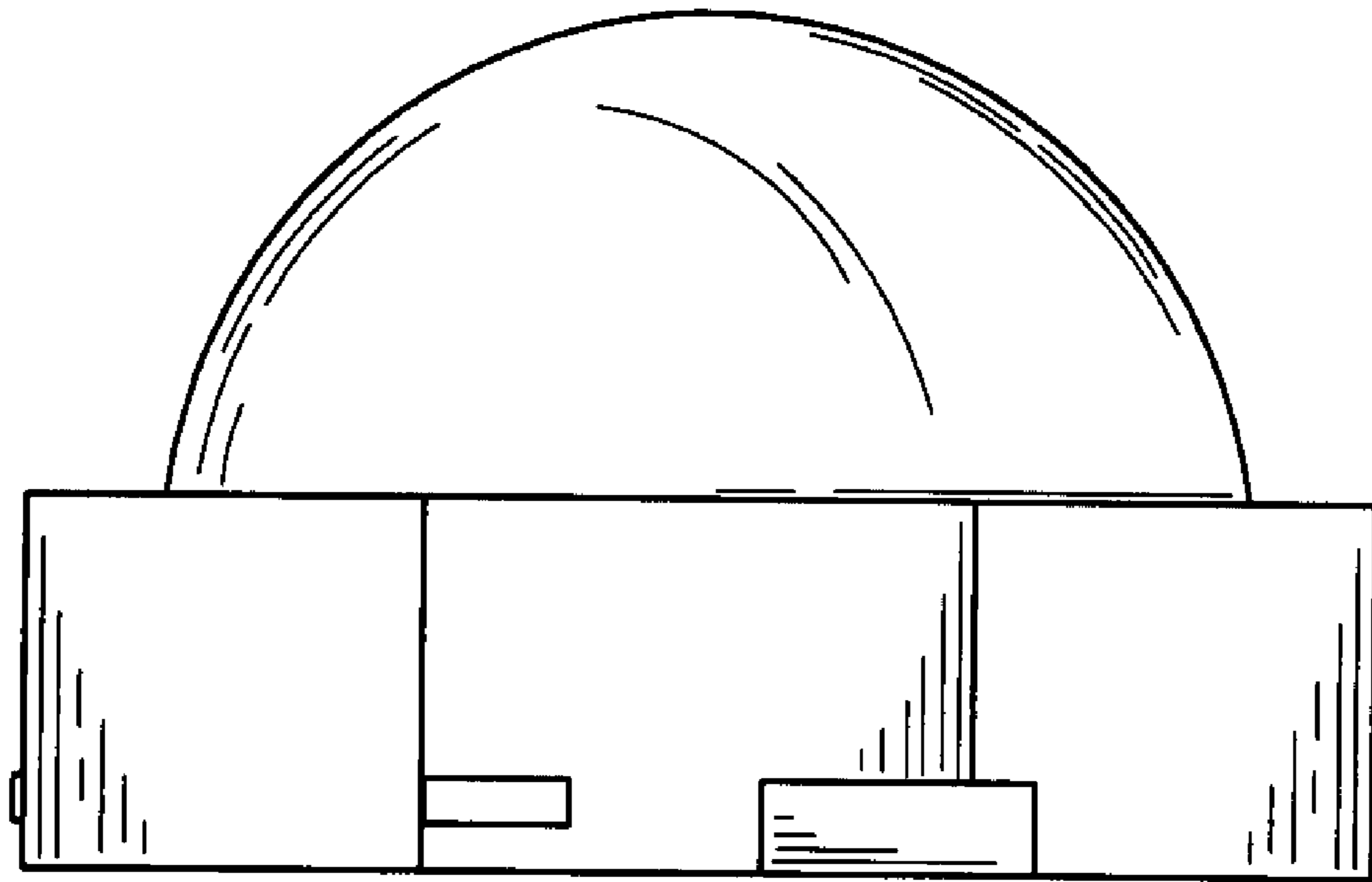


Fig.5

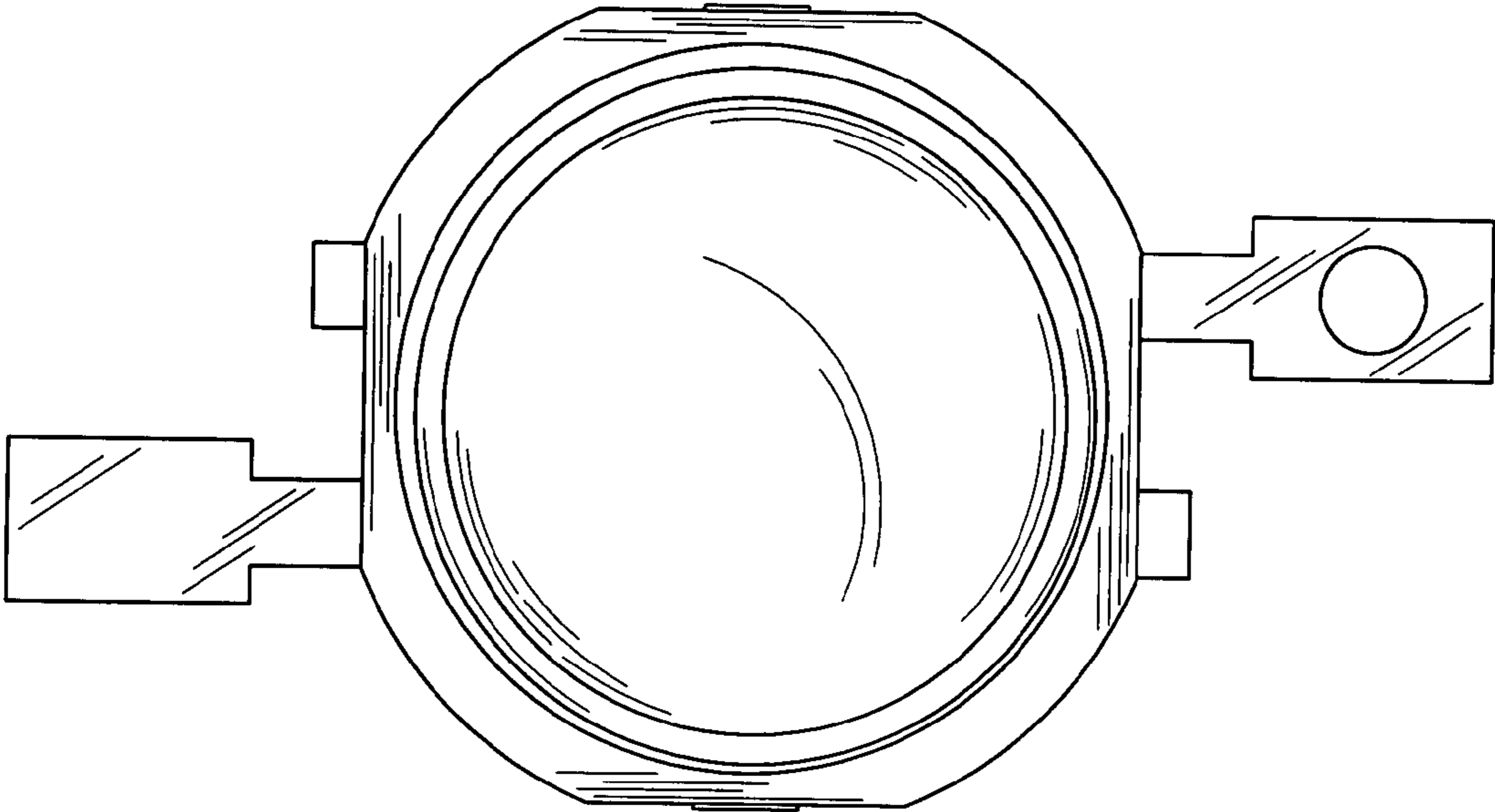


Fig.6

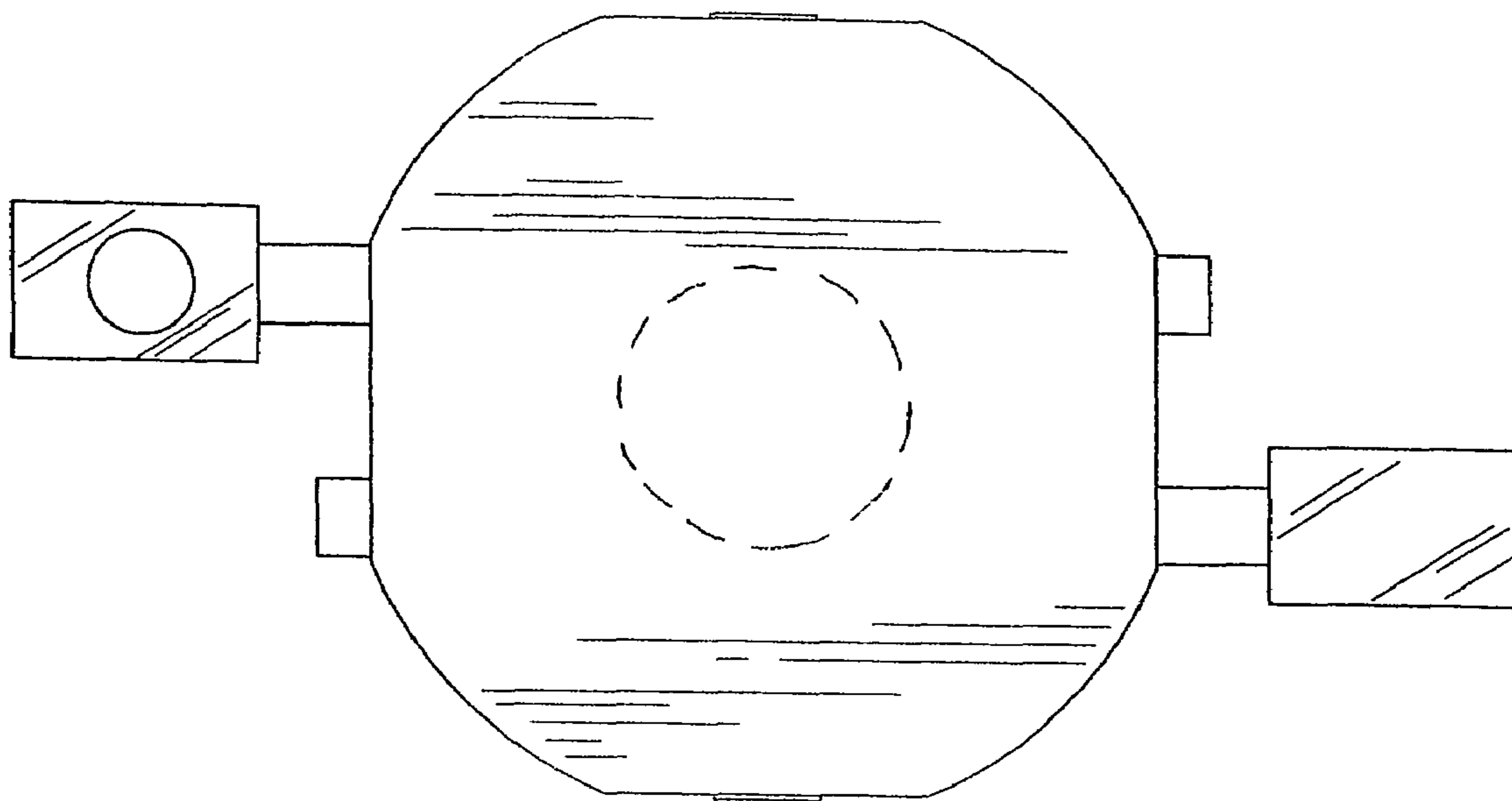


Fig.7