



US00D576568S

(12) **United States Design Patent**
Chen et al.

(10) **Patent No.:** **US D576,568 S**
(45) **Date of Patent:** **** Sep. 9, 2008**

(54) **LIGHT EMITTING DIODE**

(75) Inventors: **Chen-Lun Hsing Chen**, Taoyuan Hsien (TW); **Jung-Hao Hung**, Taoyuan Hsien (TW)

(73) Assignee: **Prolight Opto Technology Corporation**, Taoyuan Hsien (TW)

(**) Term: **14 Years**

(21) Appl. No.: **29/287,335**

(22) Filed: **Jul. 25, 2007**

(51) **LOC (8) Cl.** **13-03**

(52) **U.S. Cl.** **D13/180**

(58) **Field of Classification Search** D13/180;
D26/2; 257/79, 80, 81, 88, 89, 95, 98, 99,
257/100; 313/483, 498, 500; 362/555, 800
See application file for complete search history.

(56) **References Cited**

U.S. PATENT DOCUMENTS

6,335,548 B1 * 1/2002 Roberts et al. 257/98
D477,580 S * 7/2003 Kamada D13/182
6,586,721 B2 * 7/2003 Estevez-Garcia 250/221
D505,398 S * 5/2005 Nakashima D13/180
D512,029 S * 11/2005 Kim et al. D13/180

D517,027 S * 3/2006 Suenaga D13/180
7,153,000 B2 * 12/2006 Park et al. 362/268
2004/0041222 A1 * 3/2004 Loh 257/433
2005/0269587 A1 * 12/2005 Loh et al. 257/99
2006/0054914 A1 * 3/2006 Hsian Yi 257/100
2006/0220049 A1 * 10/2006 Flaherty et al. 257/98

* cited by examiner

Primary Examiner—Selina Sikder

(74) *Attorney, Agent, or Firm*—Troxell Law Office, PLLC

(57) **CLAIM**

The ornamental design for a light emitting diode, as shown and described.

DESCRIPTION

FIG. 1 is a perspective view of a light emitting diode showing my new design;

FIG. 2 is a front elevational view thereof;

FIG. 3 is a rear elevational view thereof;

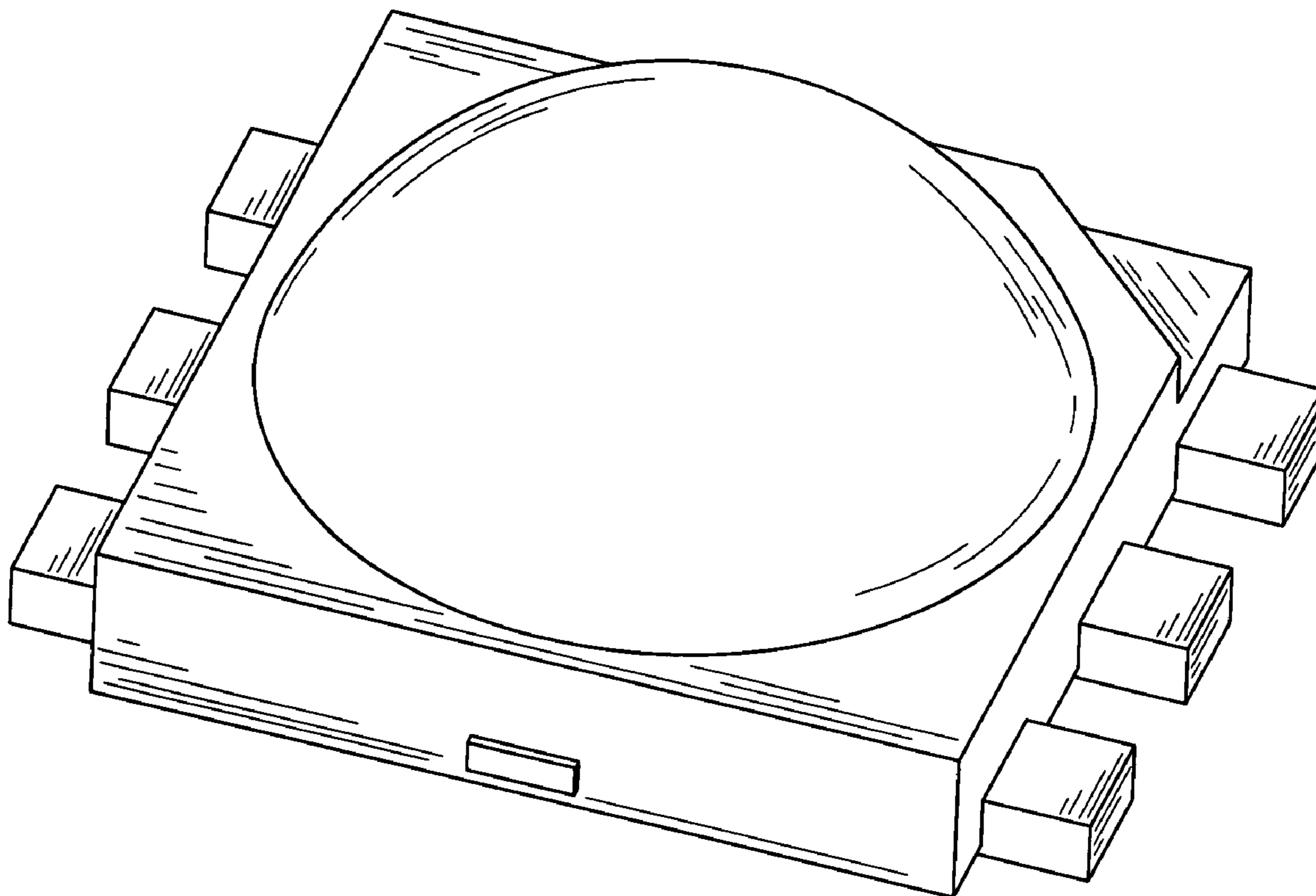
FIG. 4 is a left side elevational view thereof;

FIG. 5 is a right side elevational view thereof;

FIG. 6 is a top plan view thereof; and,

FIG. 7 is a bottom plan view thereof.

1 Claim, 7 Drawing Sheets



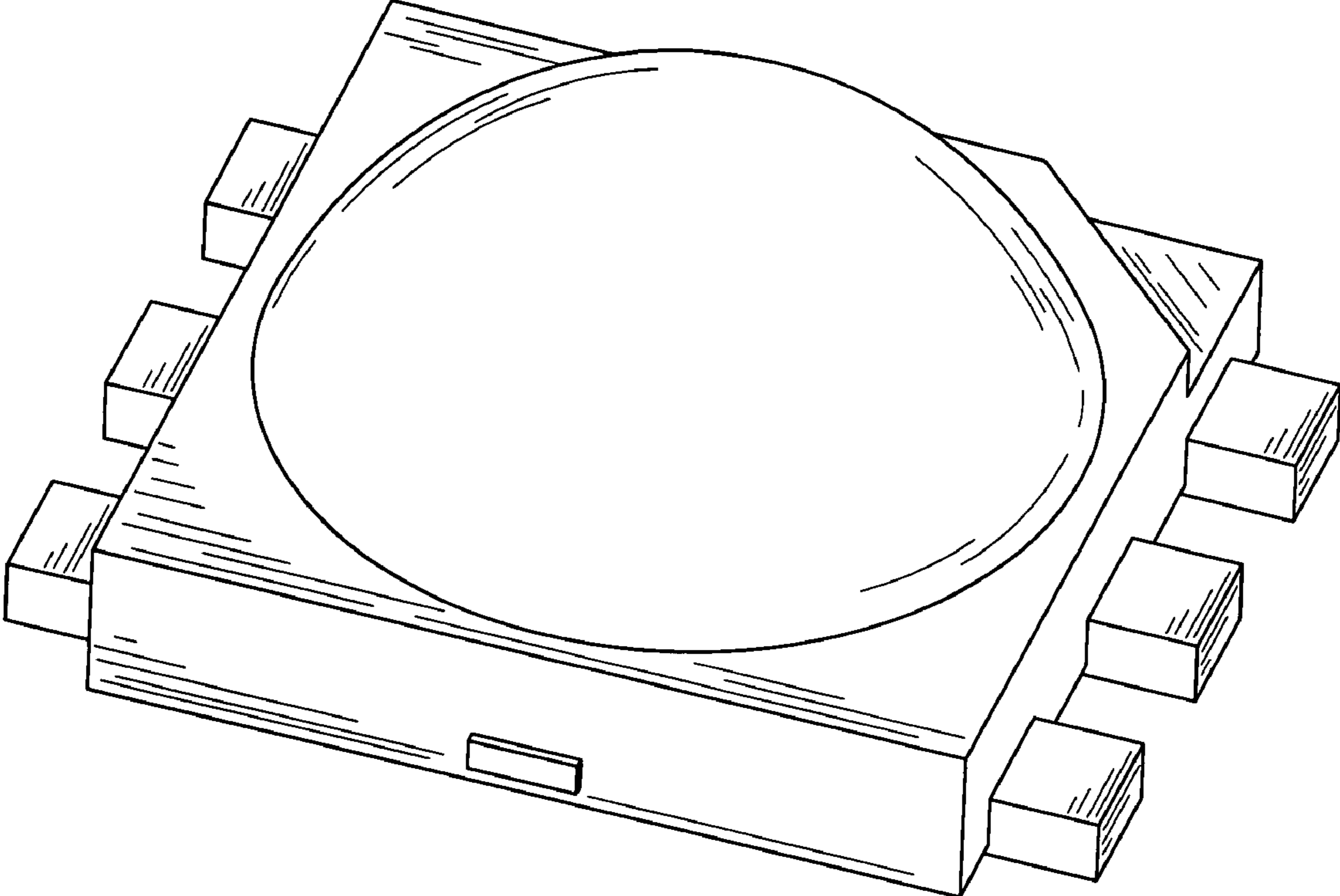


Fig.1

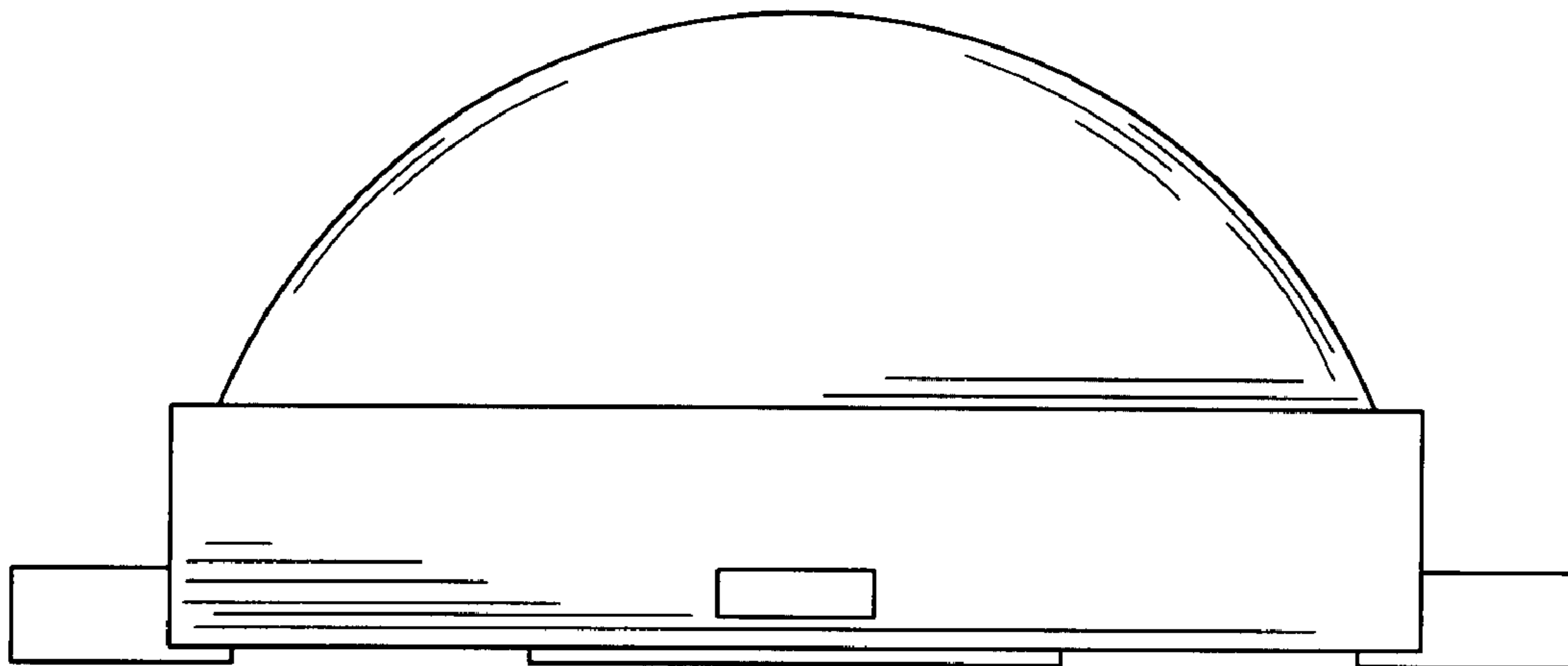


Fig.2

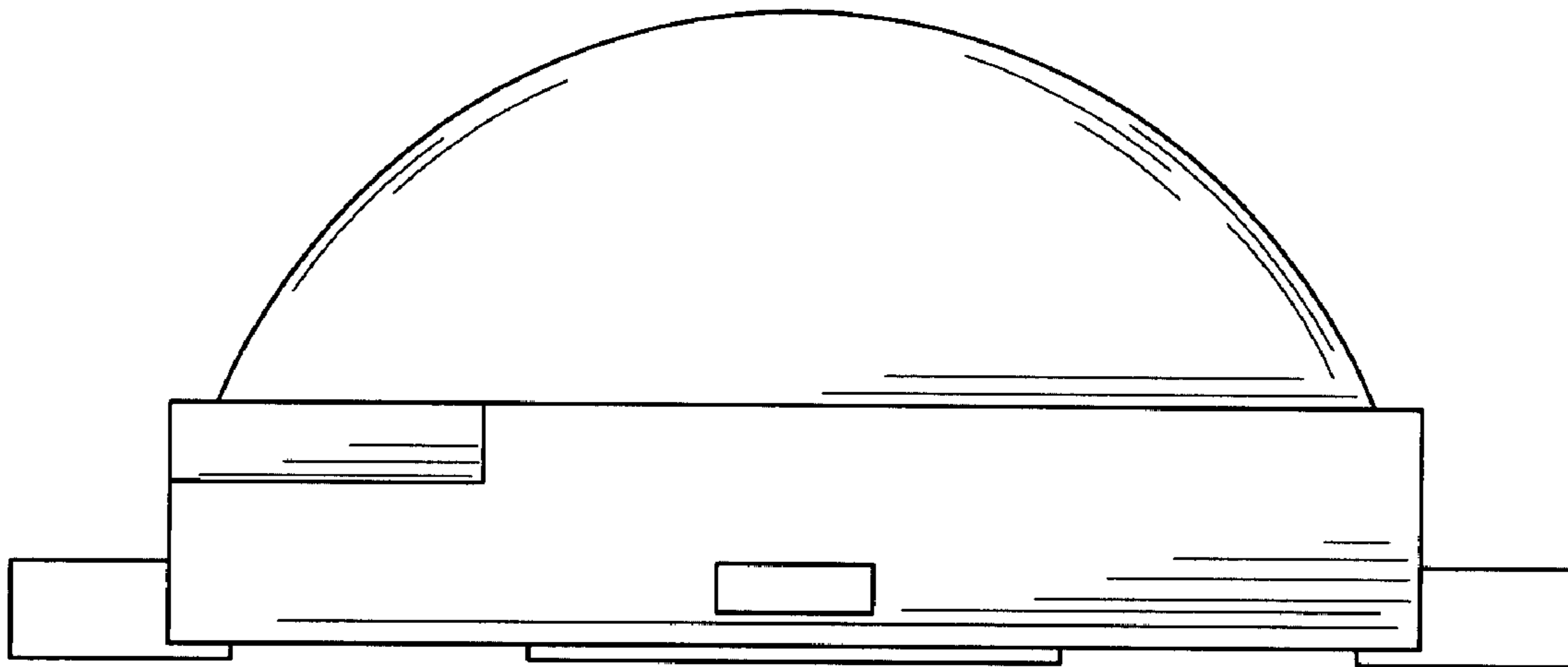


Fig.3

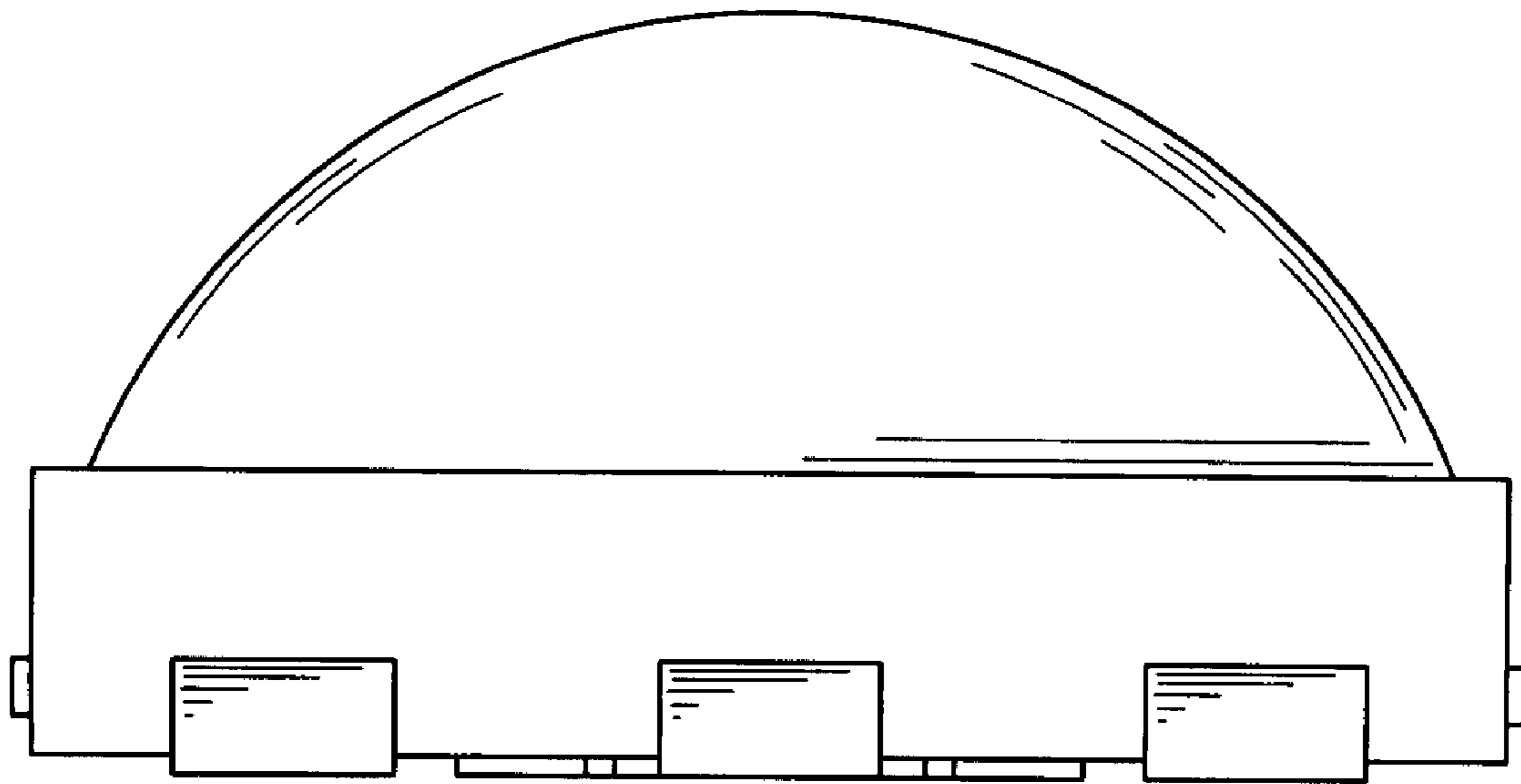


Fig.4

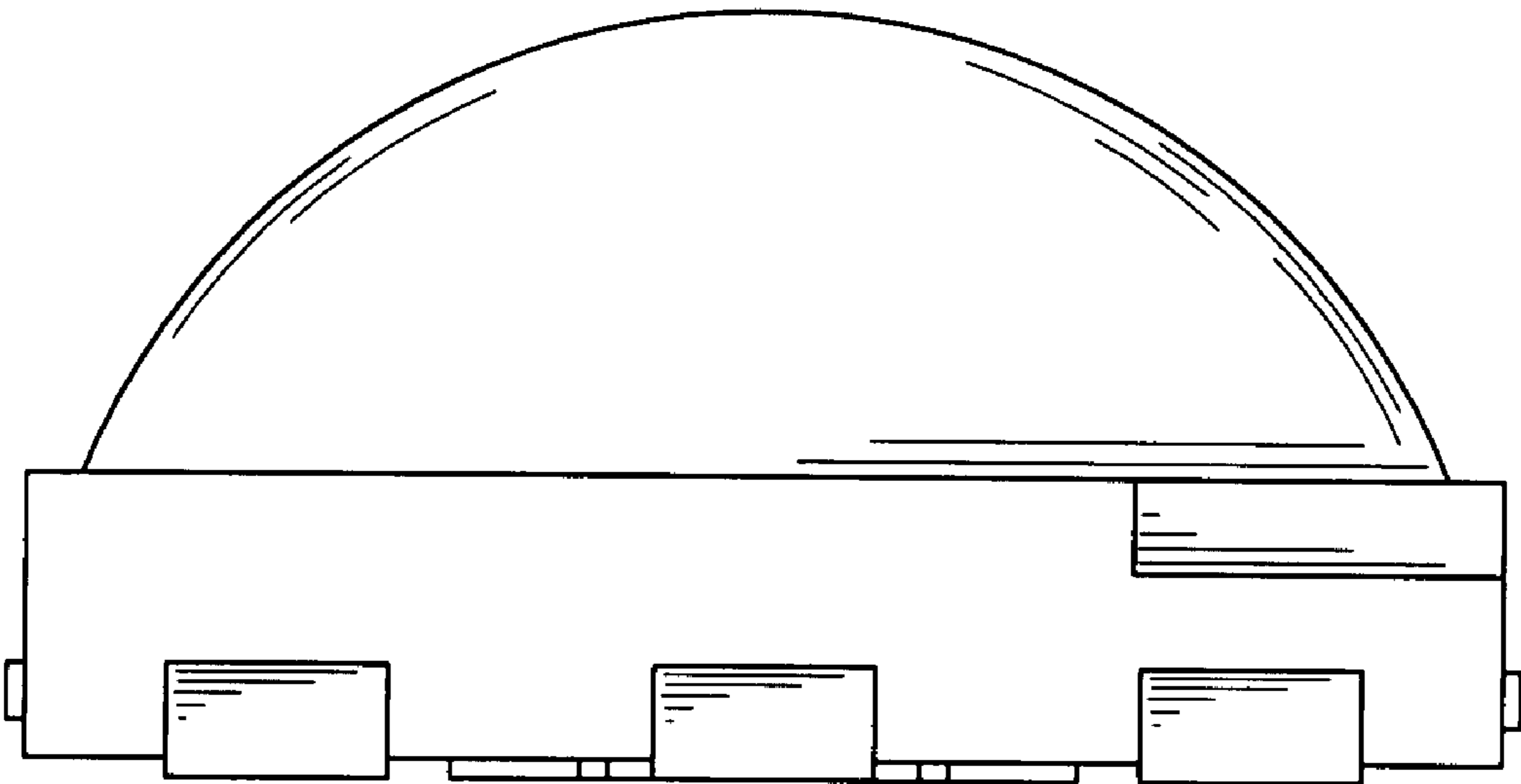


Fig.5

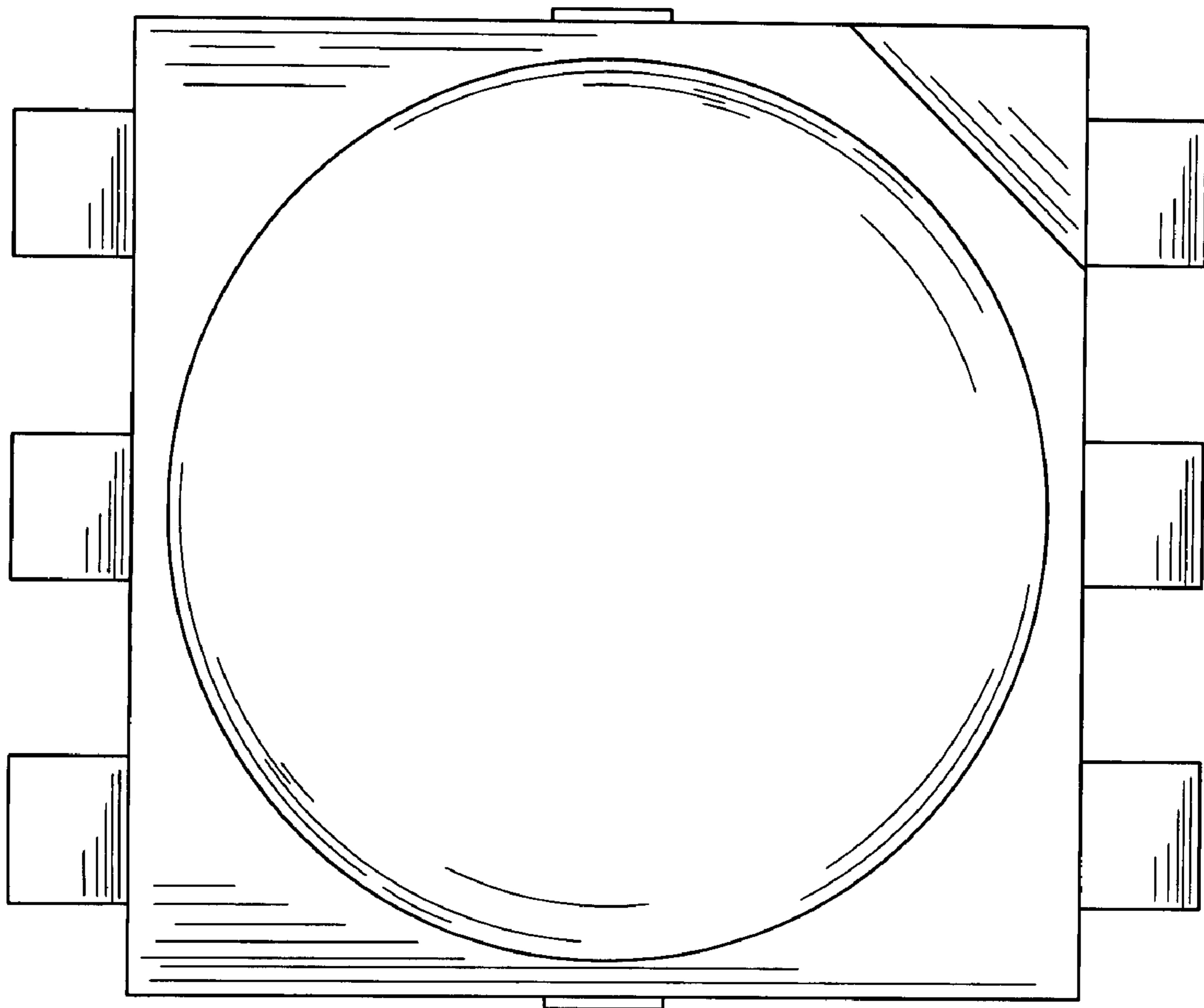


Fig.6

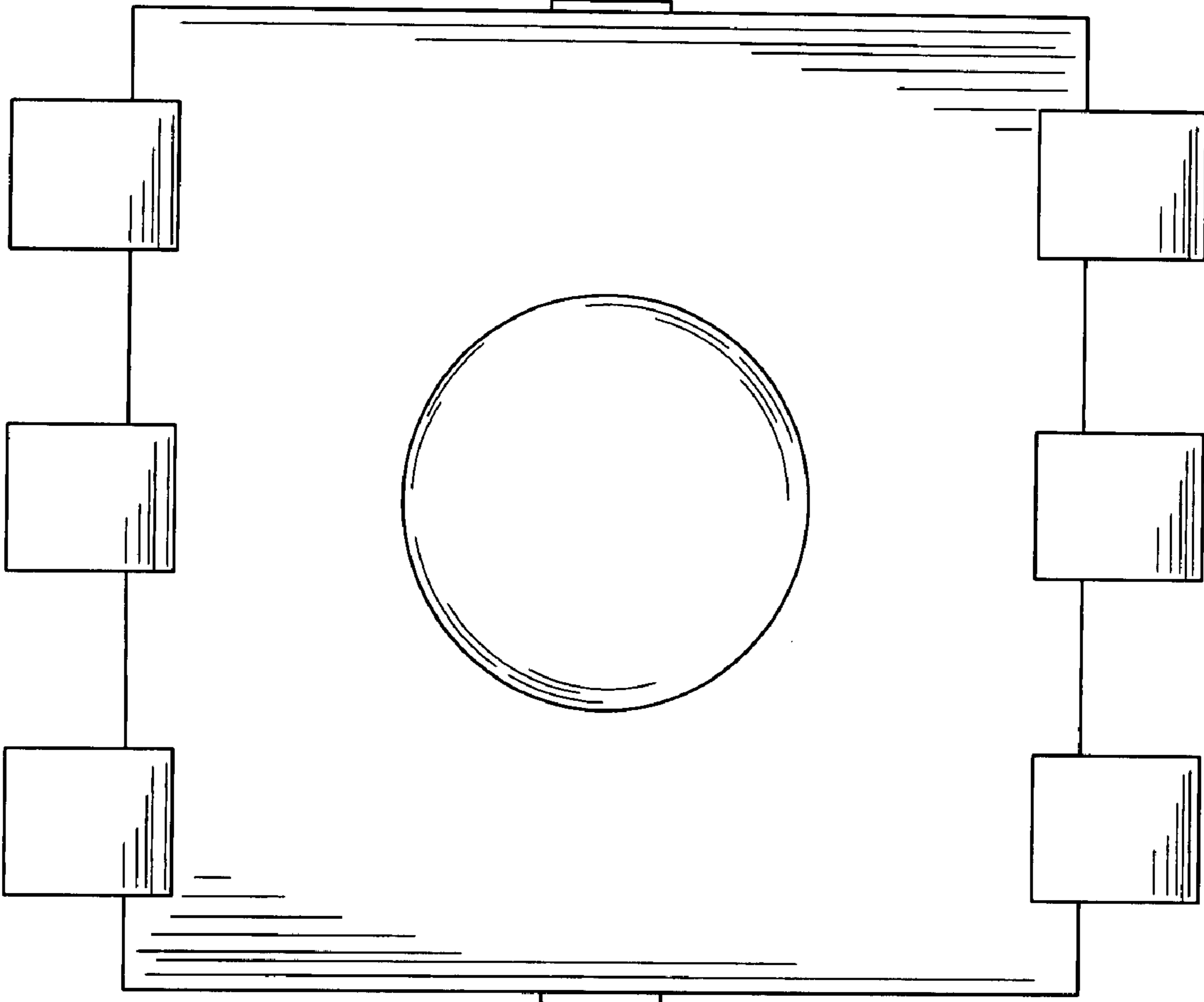


Fig.7