



US00D576567S

(12) **United States Design Patent**  
**Otsuki et al.**

(10) **Patent No.:** **US D576,567 S**  
(45) **Date of Patent:** **\*\* Sep. 9, 2008**

(54) **HEAT SINK FAN**

(75) Inventors: **Takaya Otsuki**, Kyoto (JP); **Takamasa Yamashita**, Kyoto (JP); **Naoto Yamaoka**, Kyoto (JP)

(73) Assignee: **Nidec Corporation**, Kyoto (JP)

(\*\*) Term: **14 Years**

(21) Appl. No.: **29/282,739**

(22) Filed: **Jul. 27, 2007**

(30) **Foreign Application Priority Data**

Feb. 13, 2007 (CN) ..... 2007 3 0004649

(51) **LOC (8) Cl.** ..... **13-03**

(52) **U.S. Cl.** ..... **D13/179**

(58) **Field of Classification Search** ..... D13/179;  
165/80.3, 104.33, 151, 122, 185; 257/706,  
257/707, 718-722; 361/687, 695, 697, 700,  
361/702, 704, 709, 710, 711, 719

See application file for complete search history.

(56) **References Cited**

**U.S. PATENT DOCUMENTS**

5,794,685	A	8/1998	Dean	
6,407,919	B1 *	6/2002	Chou	361/697
6,419,007	B1	7/2002	Ogawara et al.	
D465,771	S	11/2002	Hsieh	
6,671,172	B2	12/2003	Carter et al.	
6,714,415	B1	3/2004	Shah	
D490,348	S	5/2004	Cavey	
6,779,593	B1	8/2004	Hedge	
D501,450	S	2/2005	Watanabe et al.	
D509,484	S	9/2005	Mochizuki et al.	
D509,485	S	9/2005	Mochizuki et al.	
D511,326	S	11/2005	Watanabe et al.	
D516,526	S	3/2006	Watanabe et al.	
7,123,483	B2	10/2006	Otsuki et al.	
7,142,426	B2 *	11/2006	Wang et al.	361/704
D541,229	S	4/2007	Watanabe et al.	
7,221,567	B2 *	5/2007	Otsuki et al.	361/695

D561,120	S *	2/2008	Chen et al.	D13/179
D561,121	S *	2/2008	Mochizuki et al.	D13/179
D561,122	S *	2/2008	Mochizuki et al.	D13/179
D564,460	S *	3/2008	Otsuki et al.	D13/179
7,362,573	B2 *	4/2008	Lu et al.	361/695
2002/0017378	A1	2/2002	Hu	
2002/0046826	A1	4/2002	Kao	
2005/0141992	A1 *	6/2005	Lin	415/176
2005/0271506	A1 *	12/2005	Pan	415/176
2006/0126303	A1 *	6/2006	Wang et al.	361/704
2006/0219386	A1 *	10/2006	Hsia et al.	165/80.3

**FOREIGN PATENT DOCUMENTS**

JP	D1188537	S	10/2003
JP	D1222196	S	11/2004

(Continued)

**OTHER PUBLICATIONS**

Yamashita et al.; "Heat Sink", U.S. Appl. No. 29/249,552; filed Oct. 12, 2006.  
Ohtsuki et al.; "Heat Sink Fan"; U.S. Appl. No. 29/276,415; filed Jan. 25, 2007.

*Primary Examiner*—Selina Sikder

(74) *Attorney, Agent, or Firm*—Keating & Bennett, LLP

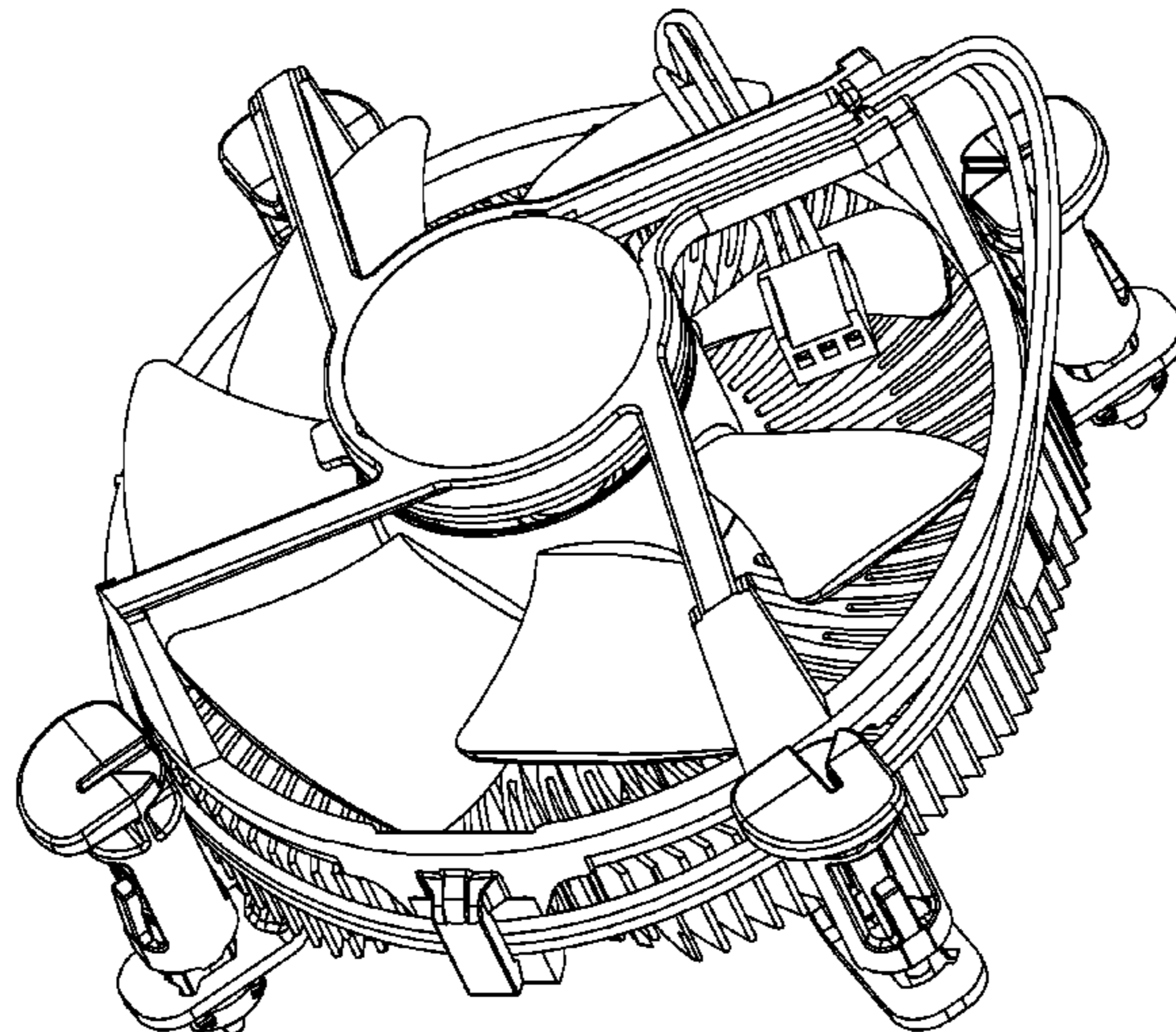
(57) **CLAIM**

The ornamental design for a heat sink fan, as shown and described.

**DESCRIPTION**

FIG. 1 is a front elevation view of a heat sink fan according to our new design;  
FIG. 2 is a rear elevation view thereof;  
FIG. 3 is a right side elevation view thereof;  
FIG. 4 is a left side elevation view thereof;  
FIG. 5 is a top plan view thereof;  
FIG. 6 is a bottom plan view thereof; and,  
FIG. 7 is a perspective view thereof.

**1 Claim, 7 Drawing Sheets**



# US D576,567 S

Page 2

---

FOREIGN PATENT DOCUMENTS			
			JP 1295760 D 3/2007
			JP 1296655 D 3/2007
			TW D118870 S 9/2007
			TW D118994 S 9/2007
			* cited by examiner
JP	D1237688 S	4/2005	
JP	D1237951 S	4/2005	
JP	D1237952 S	4/2005	
JP	D1237953 S	4/2005	

FIG. 1

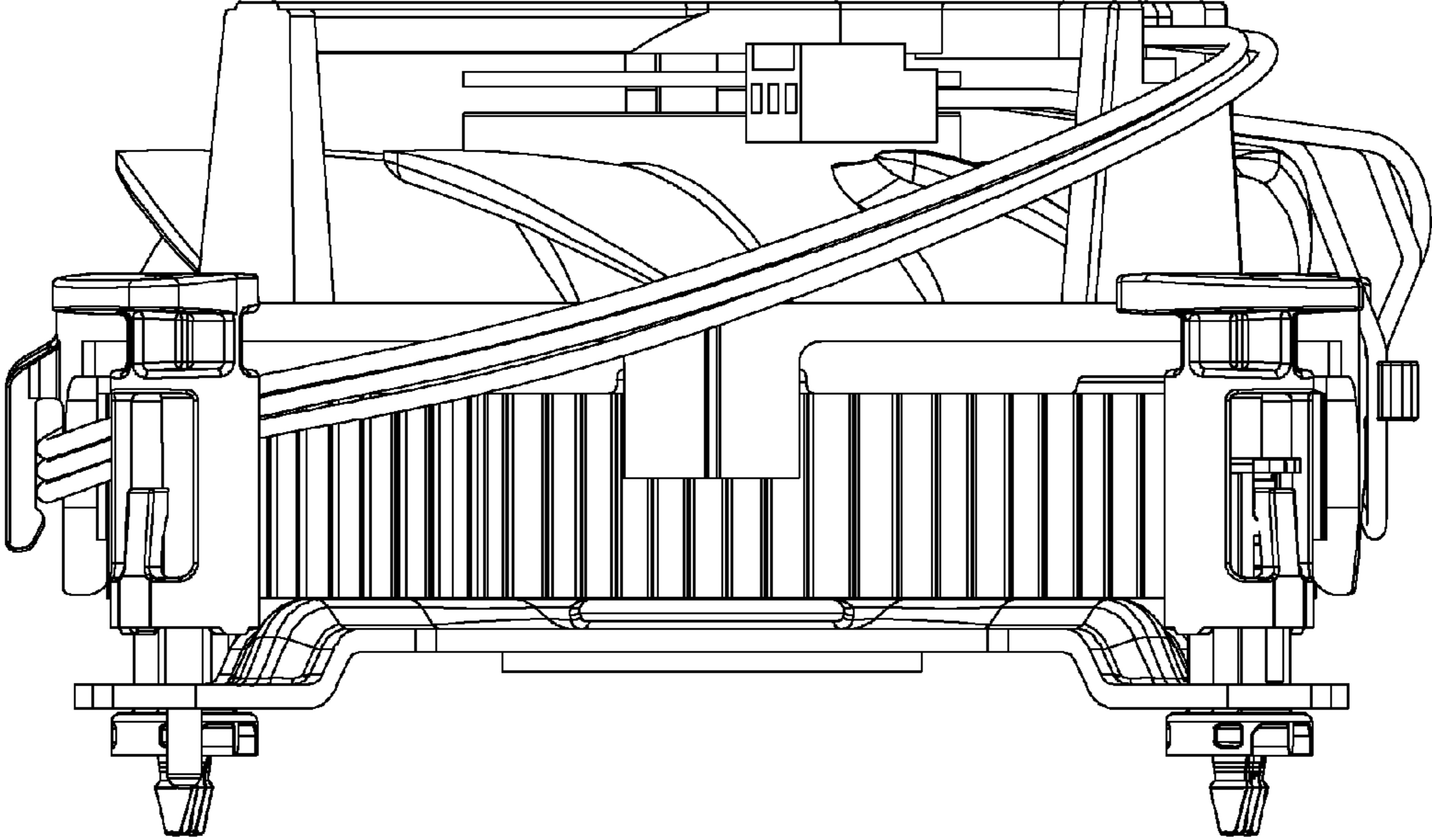


FIG. 2

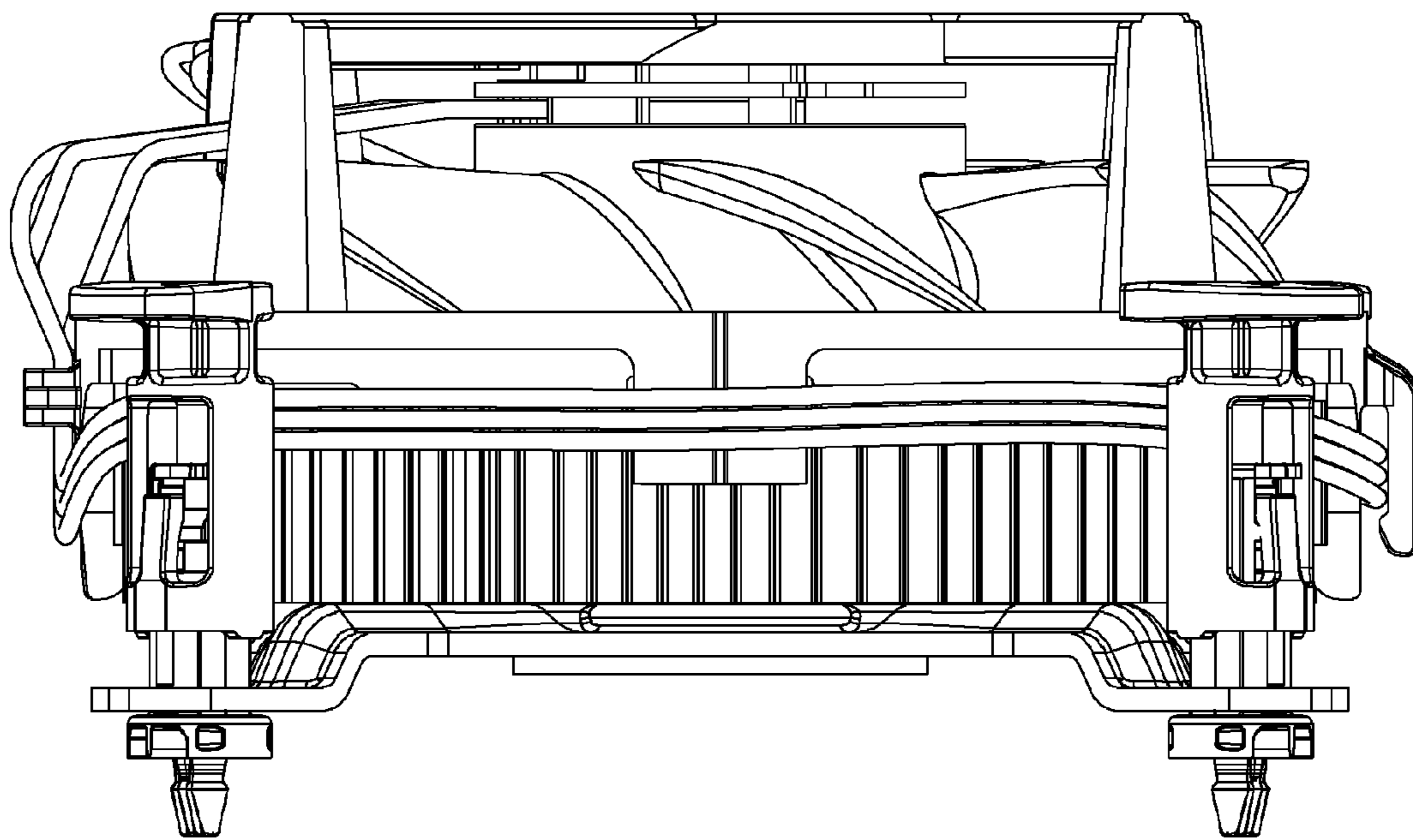


FIG. 3

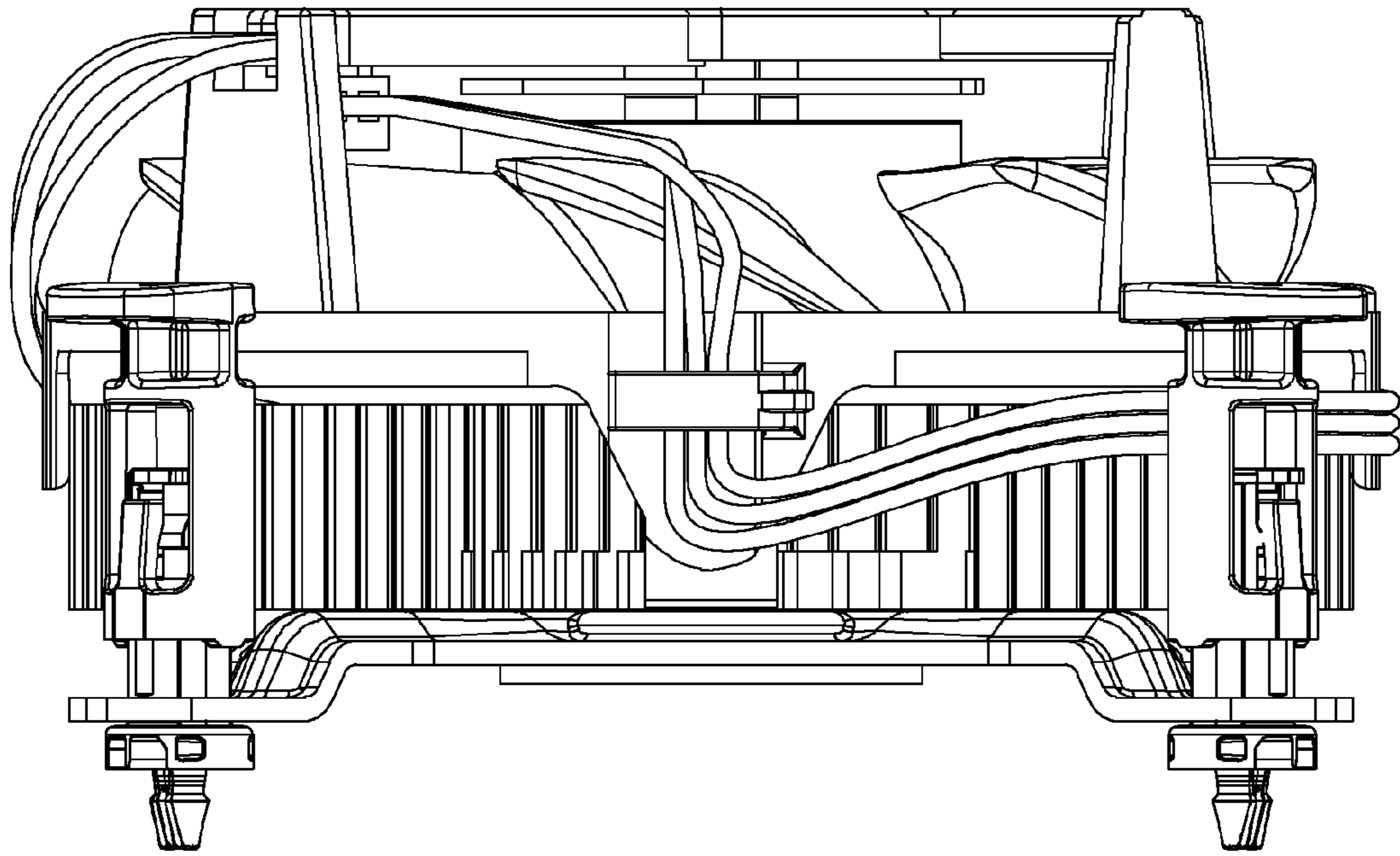


FIG. 4

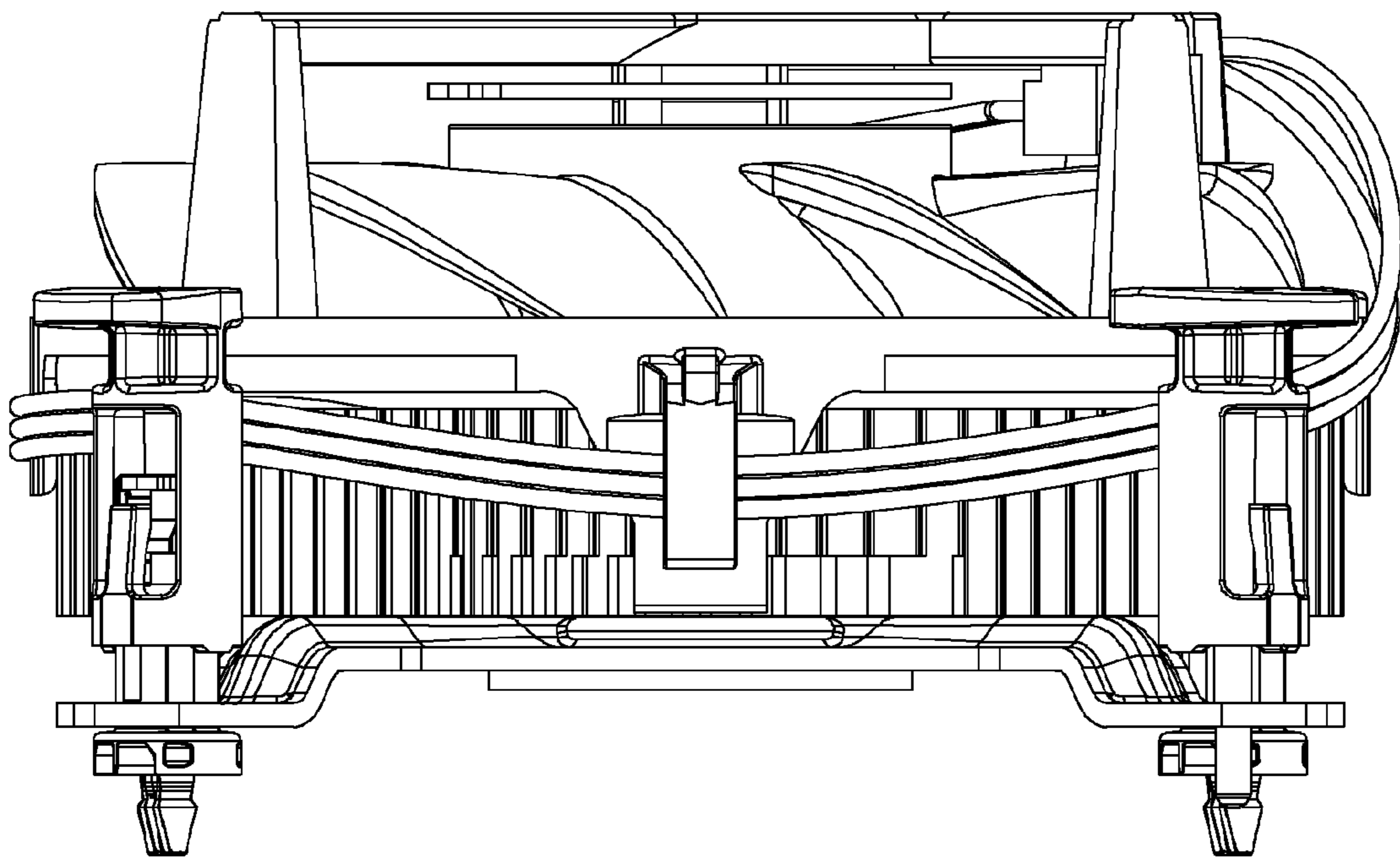


FIG. 5

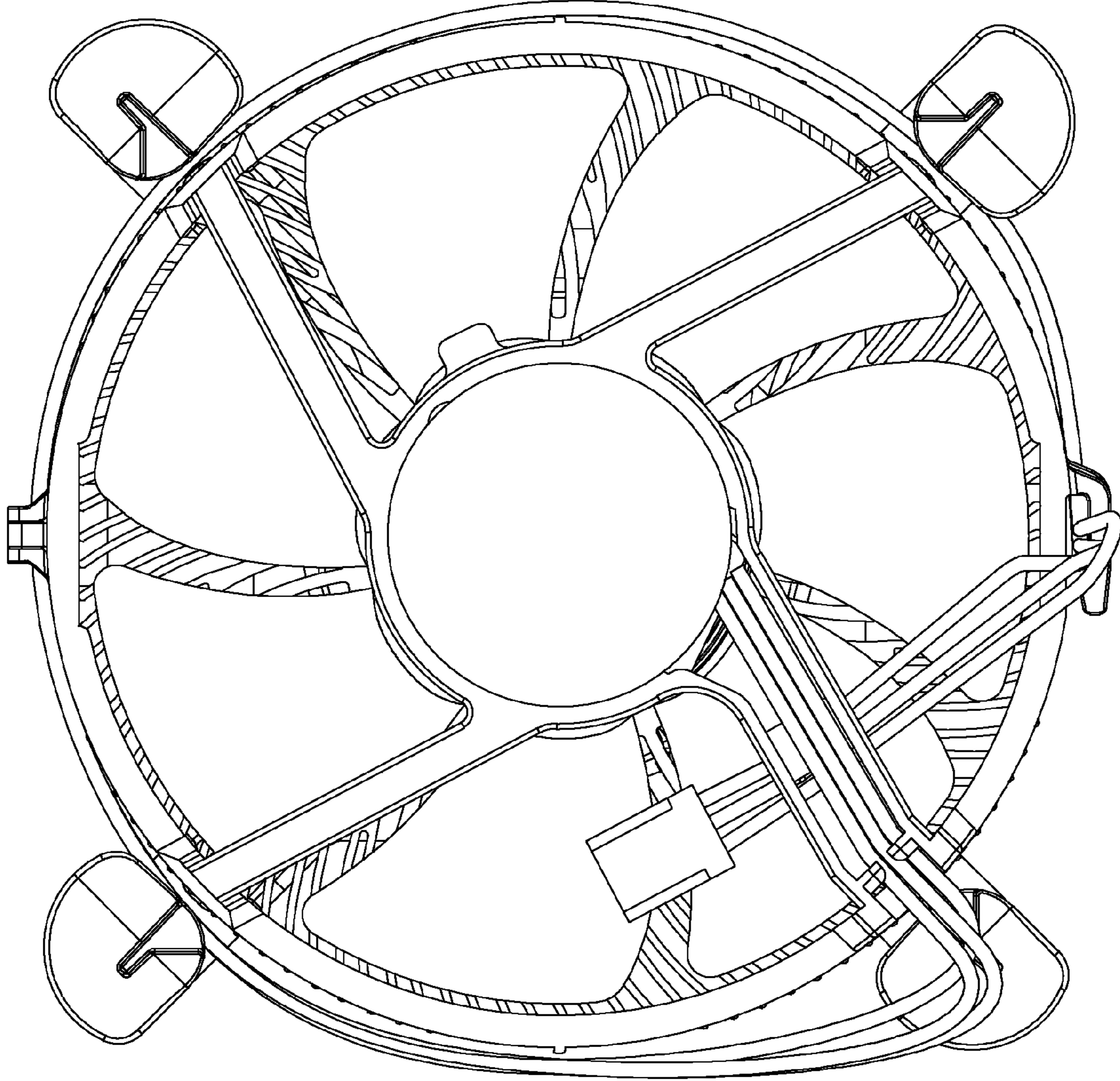


FIG. 6

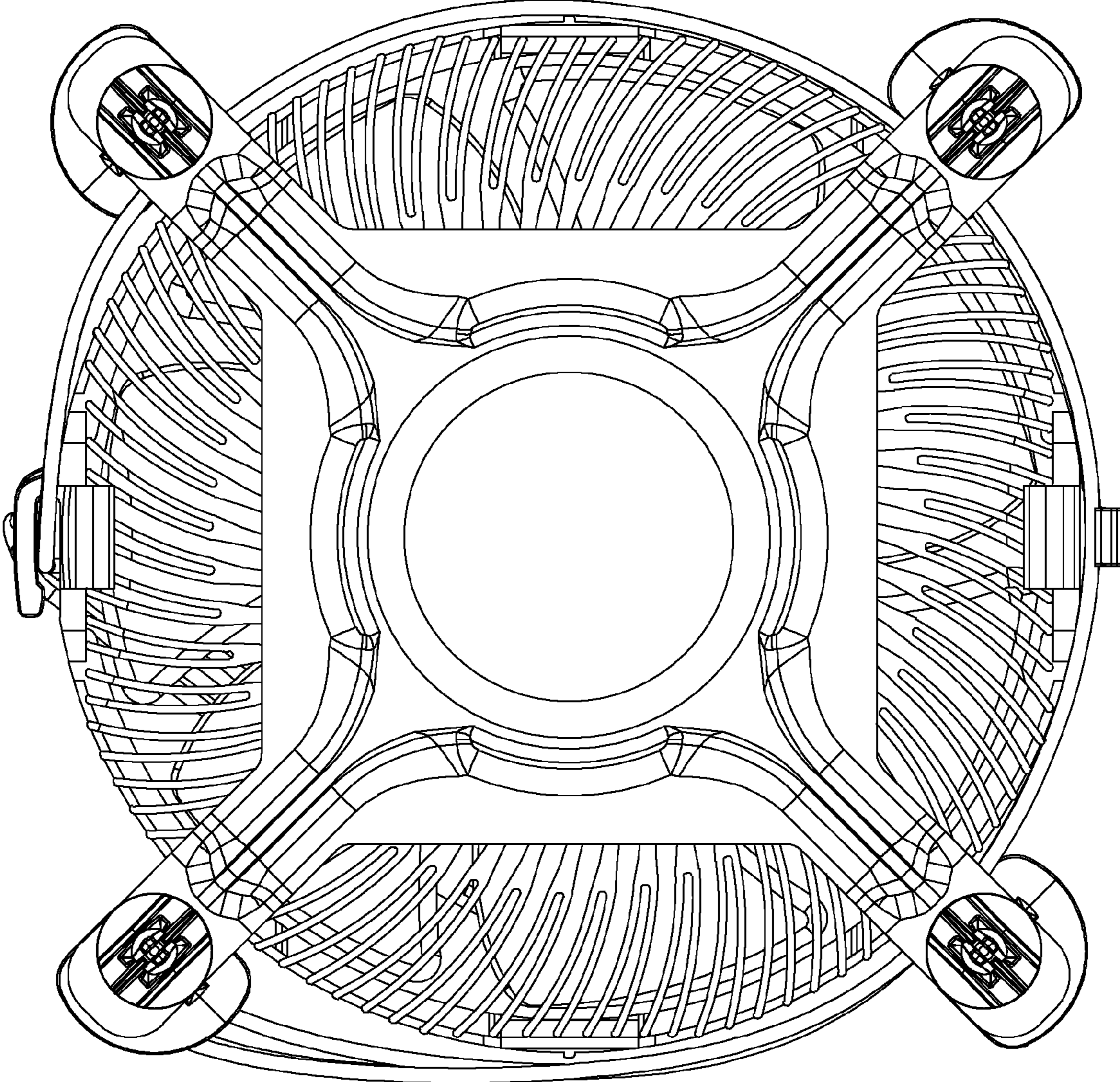




FIG. 7

