



US00D576566S

(12) **United States Design Patent**
Wu et al.

(10) **Patent No.:** **US D576,566 S**
(45) **Date of Patent:** **** Sep. 9, 2008**

(54) **DIMMER SWITCH**

(75) Inventors: **Yun (Sandy) Wu**, Bayside, NY (US);
Alfred J. Lombardi, Syosset, NY (US)

(73) Assignee: **Leviton Manufacturing Co., Inc.**, Little Neck, NY (US)

(**) Term: **14 Years**

(21) Appl. No.: **29/289,426**

(22) Filed: **Jul. 18, 2007**

(51) **LOC (8) Cl.** **13-03**

(52) **U.S. Cl.** **D13/169**

(58) **Field of Classification Search** D13/170;
174/66; 200/5 R, 1 B, 530, 531, 536, 547,
200/550, 252, 293, 296, 315, 333, 335, 329;
338/176; 315/291-296

See application file for complete search history.

(56) **References Cited**

U.S. PATENT DOCUMENTS

- 3,770,920 A * 11/1973 Poliak 200/457
- 4,489,297 A 12/1984 Haydon et al.
- 4,567,375 A * 1/1986 Jimerson et al. 307/98
- 4,669,804 A 6/1987 Munroe
- D331,743 S 12/1992 Fujiyoshi
- D353,798 S 12/1994 Bryde et al.
- D360,876 S * 8/1995 Hughes D13/177
- 5,662,213 A 9/1997 Kattler et al.
- D391,924 S 3/1998 Mayo et al.
- 5,895,888 A 4/1999 Arenas et al.
- 5,909,087 A 6/1999 Bryde et al.
- 5,950,812 A 9/1999 Tanacan et al.
- 6,005,308 A * 12/1999 Bryde et al. 307/157
- 6,178,681 B1 1/2001 Caloia et al.
- D439,220 S 3/2001 Mayo et al.
- D498,213 S 11/2004 Savicki, Jr. et al.
- 6,891,117 B1 5/2005 Gouhl et al.
- D517,999 S 3/2006 Merritt et al.
- D518,000 S 3/2006 Merritt et al.
- D519,466 S 4/2006 Merritt et al.

- D523,824 S 6/2006 Lombardi et al.
- D526,624 S 8/2006 Merritt et al.
- 7,122,754 B2 * 10/2006 Endres et al. 200/339
- D534,873 S 1/2007 Merritt et al.
- D534,875 S 1/2007 Wu
- D535,627 S 1/2007 Merritt et al.
- 7,170,018 B2 1/2007 Ilkhanov
- D542,230 S 5/2007 Merritt et al.
- D543,159 S 5/2007 Merritt et al.
- D553,102 S 10/2007 Merritt
- 2003/0226682 A1 12/2003 Tufano et al.
- 2003/0226684 A1 12/2003 Schmieta et al.
- 2006/0125649 A1 6/2006 Ostrovsky et al.
- 2007/0126366 A1 6/2007 Frid
- 2007/0193863 A1 8/2007 Wu

* cited by examiner

Primary Examiner—Selina Sikder

(74) *Attorney, Agent, or Firm*—Carter, DeLuca, Farrell & Schmidt, LLP

(57) **CLAIM**

The ornamental design for a dimmer switch, as shown and described.

DESCRIPTION

FIG. 1 is a front left perspective view illustrating our new design for a dimmer switch with the broken lines showing, for illustrative purposes only, a back plate and a housing that is not part of the claimed design;

FIG. 2 is a front view thereof with the dashed lines showing the back plate;

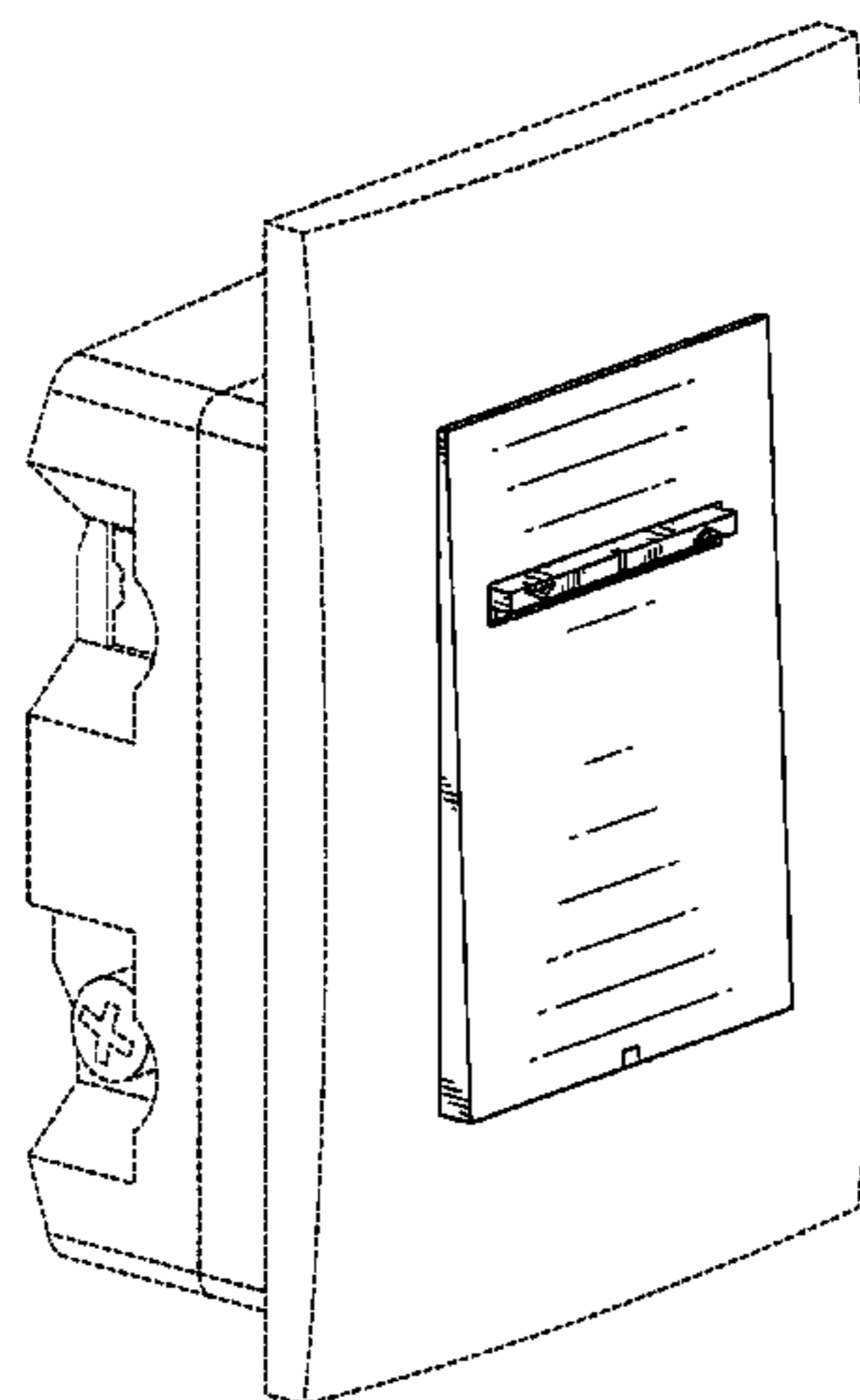
FIG. 3 is a left side view thereof with the broken lines showing the back plate and the housing;

FIG. 4 is a right side view thereof with the broken lines showing the back plate and the housing;

FIG. 5 is a top view thereof with the broken lines showing the back plate and the housing; and,

FIG. 6 is a bottom view thereof with the broken lines showing the back plate and the housing.

1 Claim, 4 Drawing Sheets



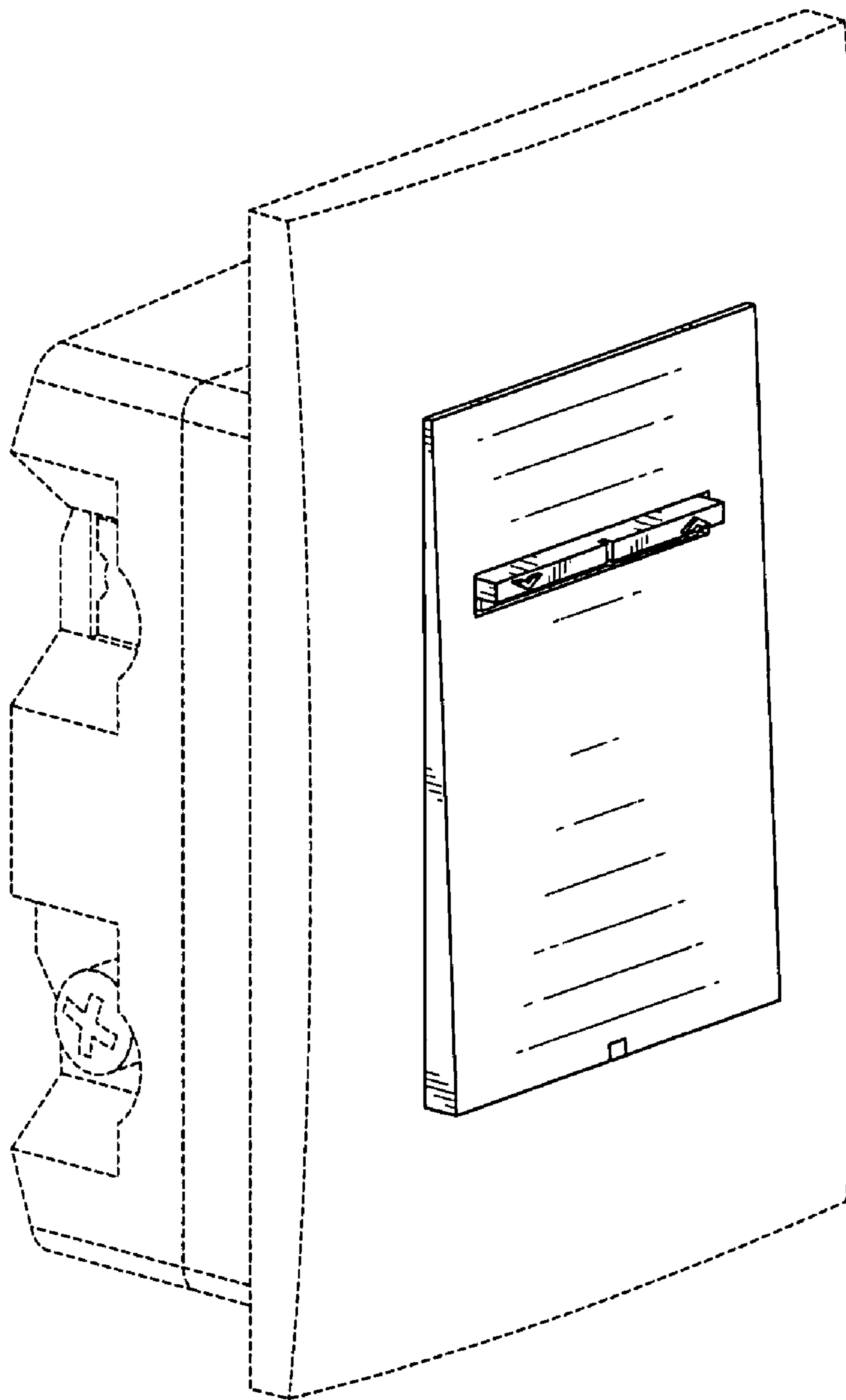


FIG. 1

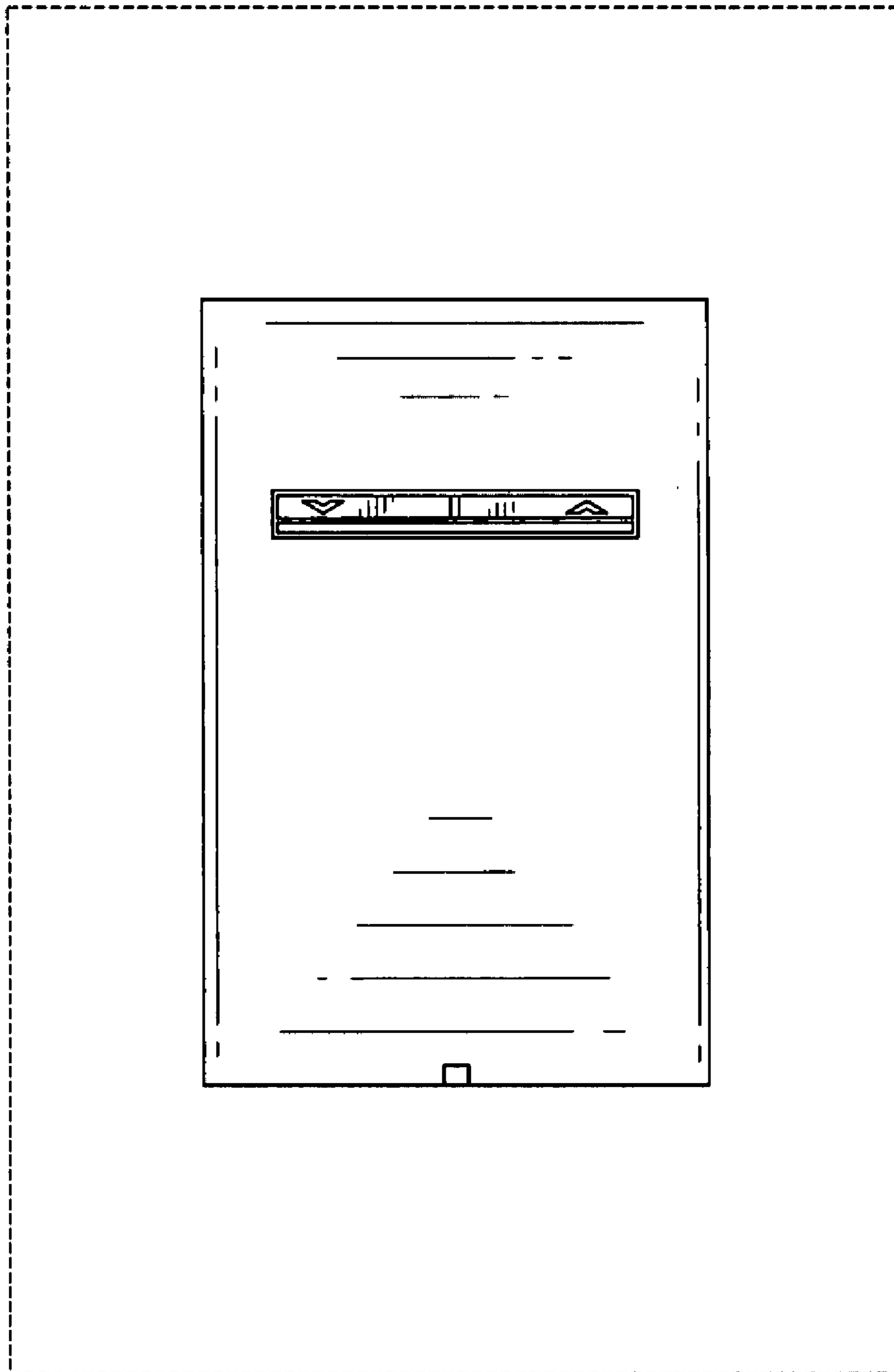


FIG. 2

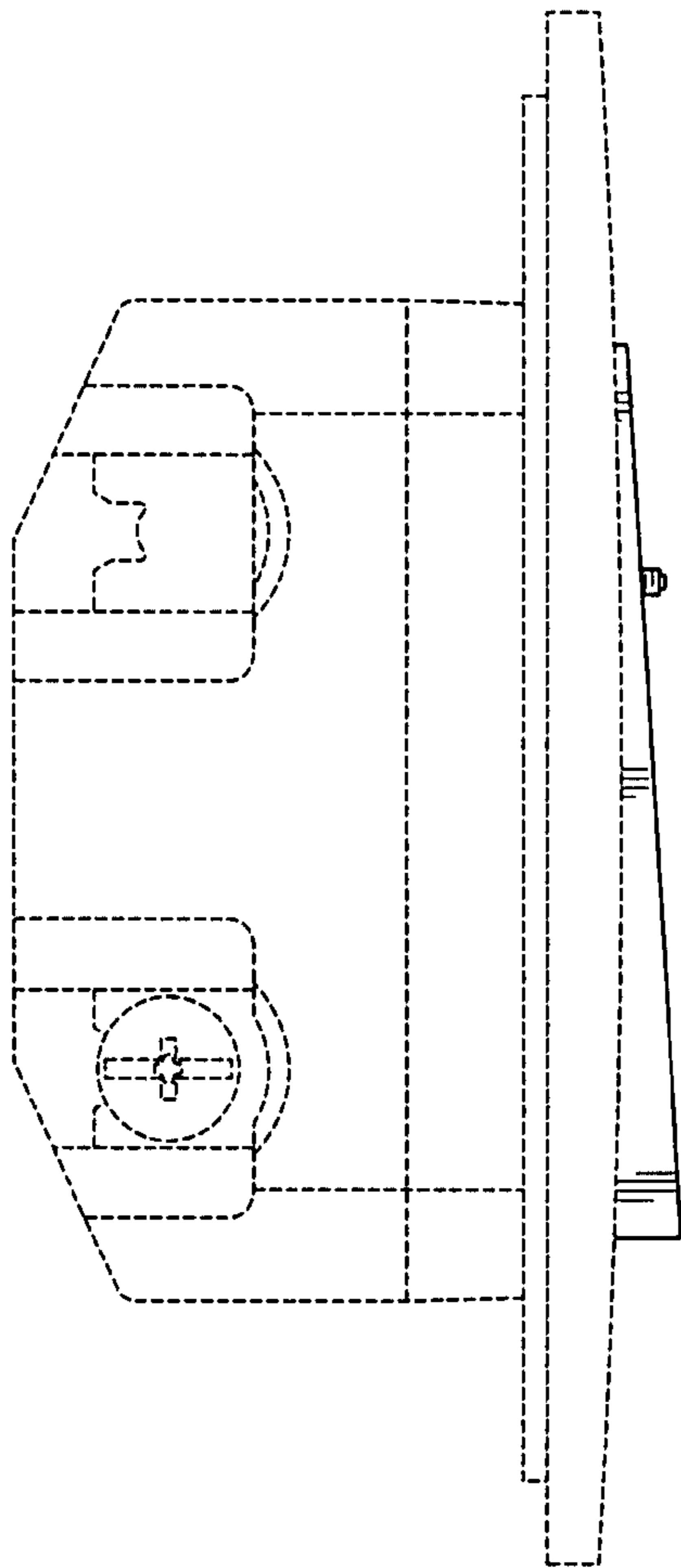


FIG. 3

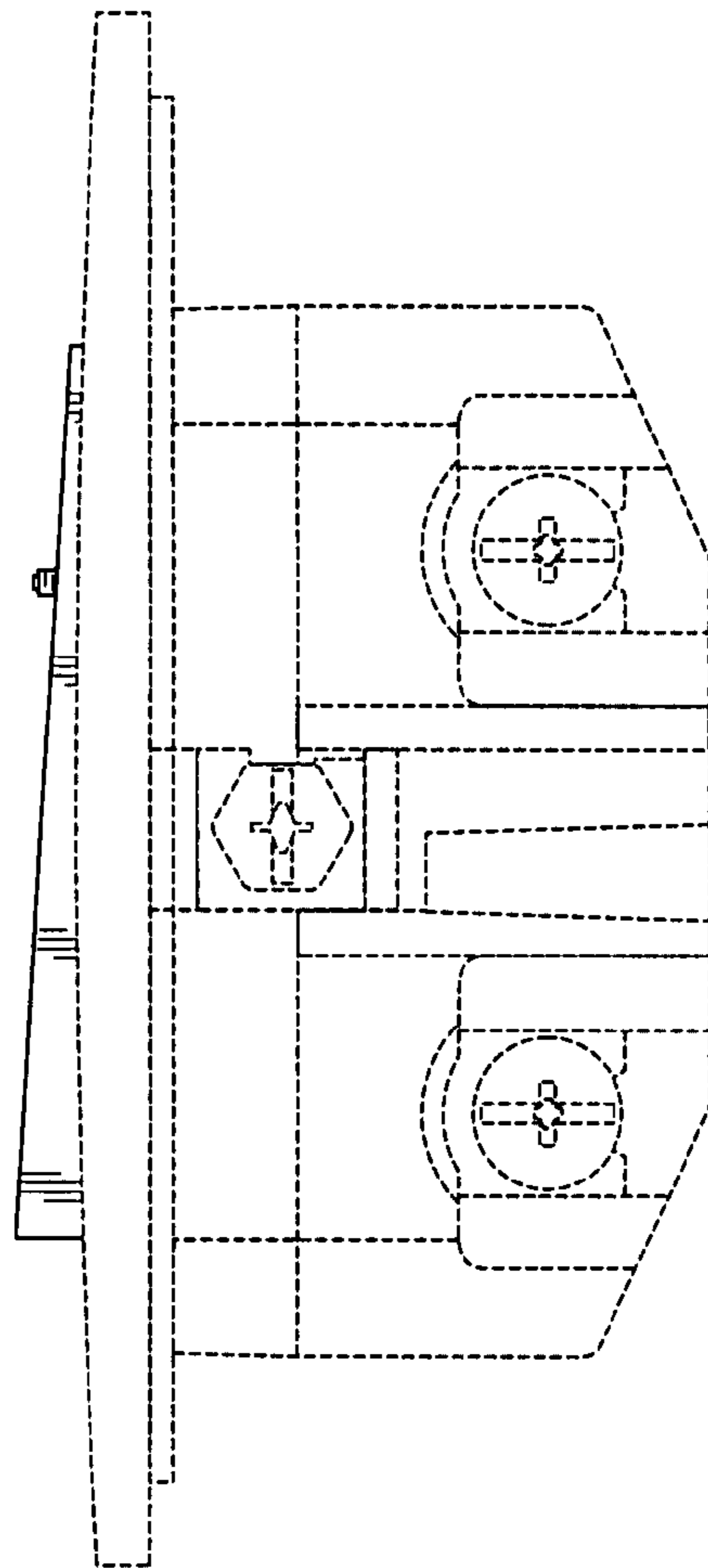


FIG. 4

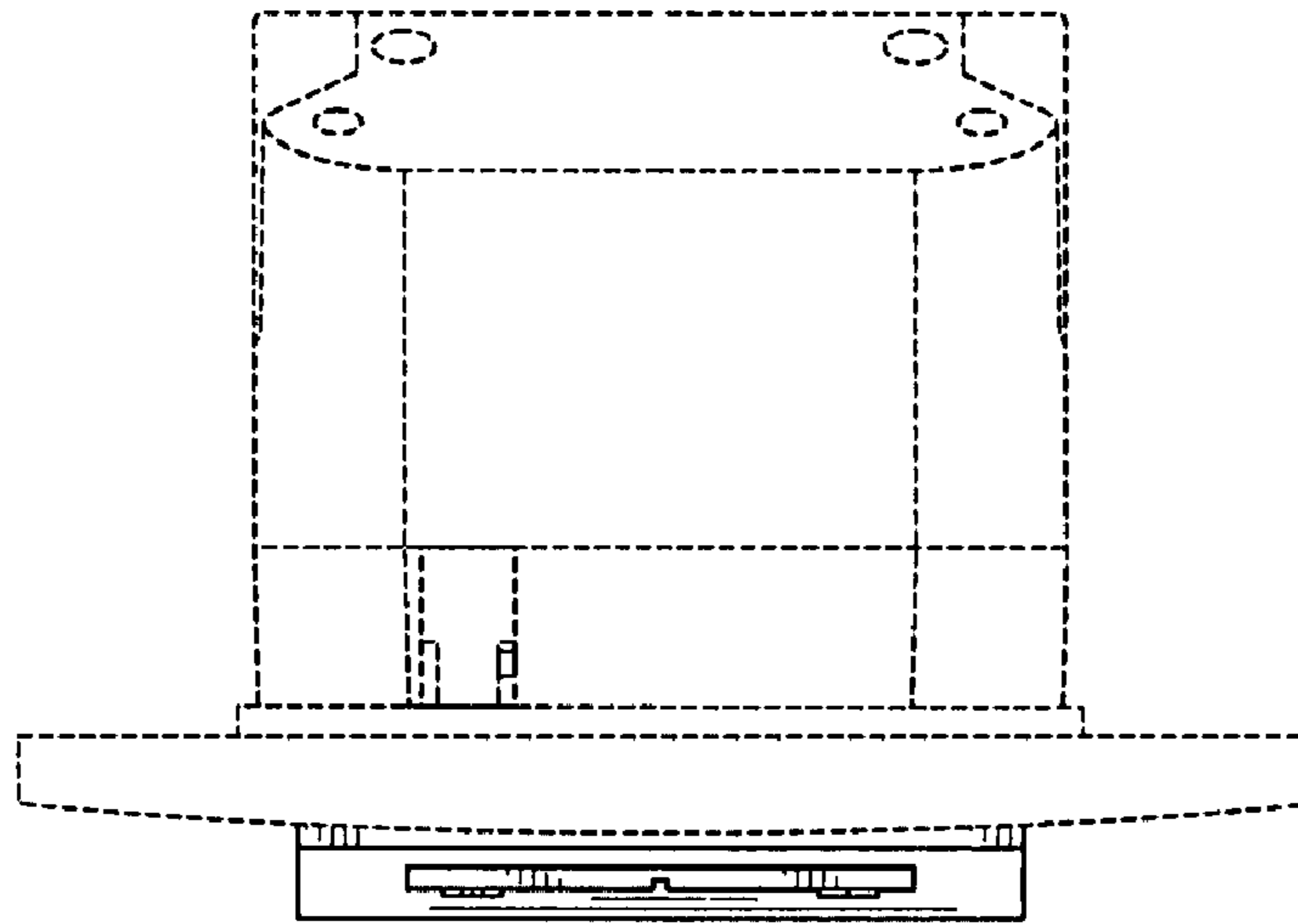


FIG. 5

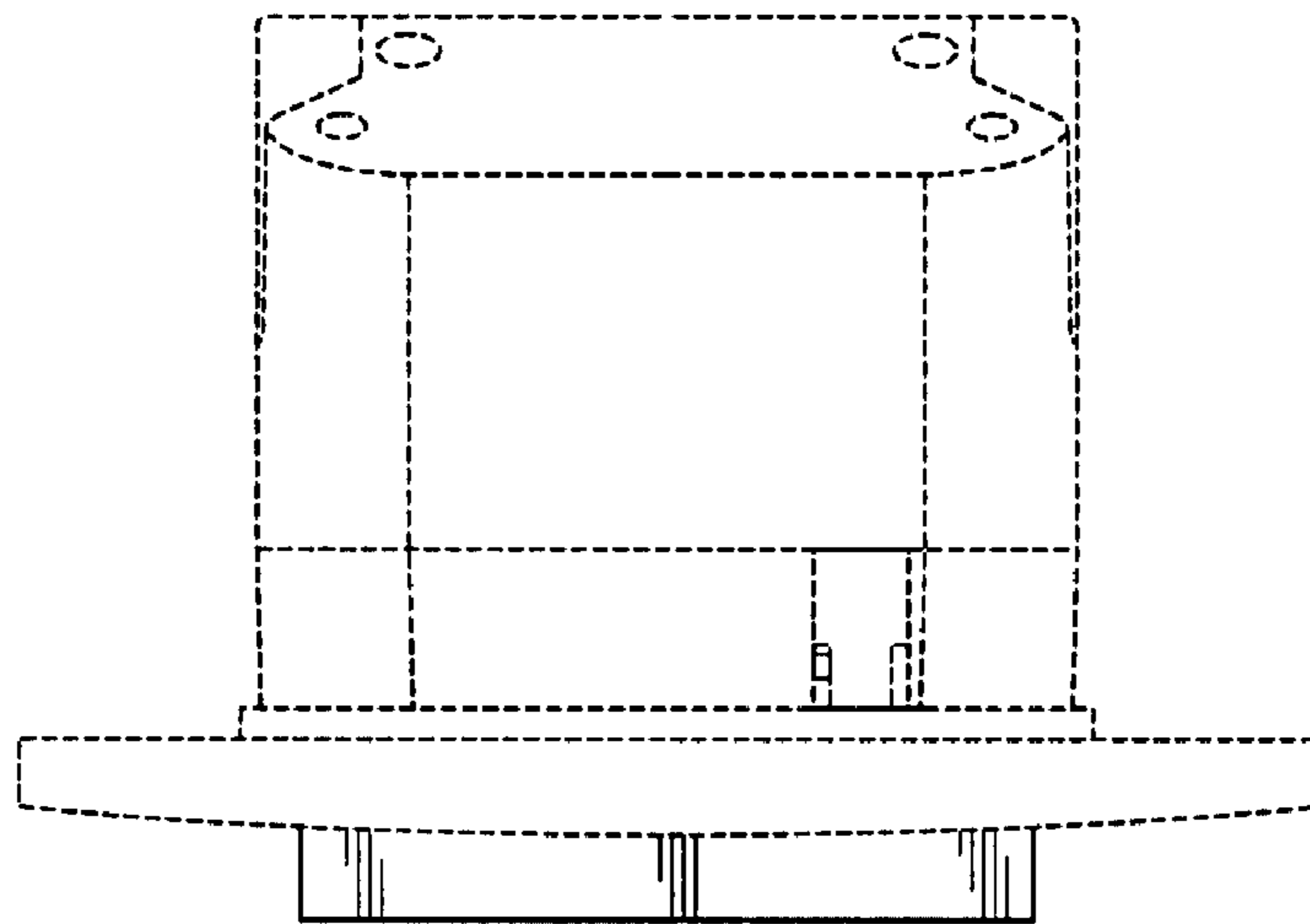


FIG. 6