



US00D576565S

(12) **United States Design Patent**
Chou et al.

(10) **Patent No.:** **US D576,565 S**
(45) **Date of Patent:** **** Sep. 9, 2008**

(54) **DIMMER SWITCH**

(75) Inventors: **Cheng-Lung (John) Chou**, Great Neck, NY (US); **Alfred J. Lombardi**, Syosset, NY (US); **Andrew E. Rawlins**, Reston, VA (US)

(73) Assignee: **Leviton Manufacturing Co., Inc.**, Little Neck, NY (US)

(**) Term: **14 Years**

(21) Appl. No.: **29/289,425**

(22) Filed: **Jul. 18, 2007**

(51) **LOC (8) Cl.** **13-03**

(52) **U.S. Cl.** **D13/169**

(58) **Field of Classification Search** D13/169;
174/66; 200/5 R, 1 B, 433, 525, 553, 315,
200/329, 335, 332, 339; 338/176; 315/291-296
See application file for complete search history.

(56) **References Cited**

U.S. PATENT DOCUMENTS

- 3,770,920 A * 11/1973 Poliak 200/457
- 4,489,297 A 12/1984 Haydon et al.
- 4,567,375 A * 1/1986 Jimerson et al. 307/98
- 4,669,804 A 6/1987 Munroe
- 4,924,151 A 5/1990 D'Aleo et al.
- 5,038,081 A 8/1991 Maiale, Jr. et al.
- 5,059,871 A 10/1991 Pearlman et al.
- 5,101,141 A 3/1992 Warner et al.
- D331,743 S 12/1992 Fujiyoshi
- 5,191,265 A 3/1993 D'Aleo et al.
- 5,225,765 A 7/1993 Callahan et al.
- 5,248,919 A 9/1993 Hanna et al.
- 5,319,301 A 6/1994 Callahan et al.
- D353,798 S 12/1994 Bryde et al.
- 5,430,356 A 7/1995 Ference et al.
- D360,876 S * 8/1995 Hughes D13/177
- 5,510,679 A 4/1996 Maiale, Jr. et al.
- 5,530,322 A 6/1996 Ference et al.
- 5,662,213 A 9/1997 Kattler et al.

- D391,924 S 3/1998 Mayo et al.
- 5,895,888 A 4/1999 Arenas et al.
- 5,909,087 A 6/1999 Bryde et al.
- 5,950,812 A 9/1999 Tanacan et al.
- 6,005,308 A * 12/1999 Bryde et al. 307/157
- 6,046,550 A 4/2000 Ference et al.
- 6,091,205 A 7/2000 Newman, Jr. et al.
- 6,178,681 B1 1/2001 Caloia et al.
- D439,220 S 3/2001 Mayo et al.
- 6,211,626 B1 4/2001 Lys et al.
- 6,297,724 B1 10/2001 Bryans et al.
- 6,340,868 B1 1/2002 Lys et al.
- 6,347,028 B1 2/2002 Hausman, Jr. et al.
- 6,369,524 B1 4/2002 Sid

(Continued)

Primary Examiner—Selina Sikder

(74) *Attorney, Agent, or Firm*—Carter, DeLuca, Farrell & Schmidt, LLP

(57) **CLAIM**

The ornamental design for a dimmer switch, as shown and described.

DESCRIPTION

FIG. 1 is a front left perspective view illustrating our new design for a dimmer switch with the broken lines showing, for illustrative purposes only, a back plate and a housing that is not part of the claimed design;

FIG. 2 is a front view thereof with the dashed lines showing the back plate;

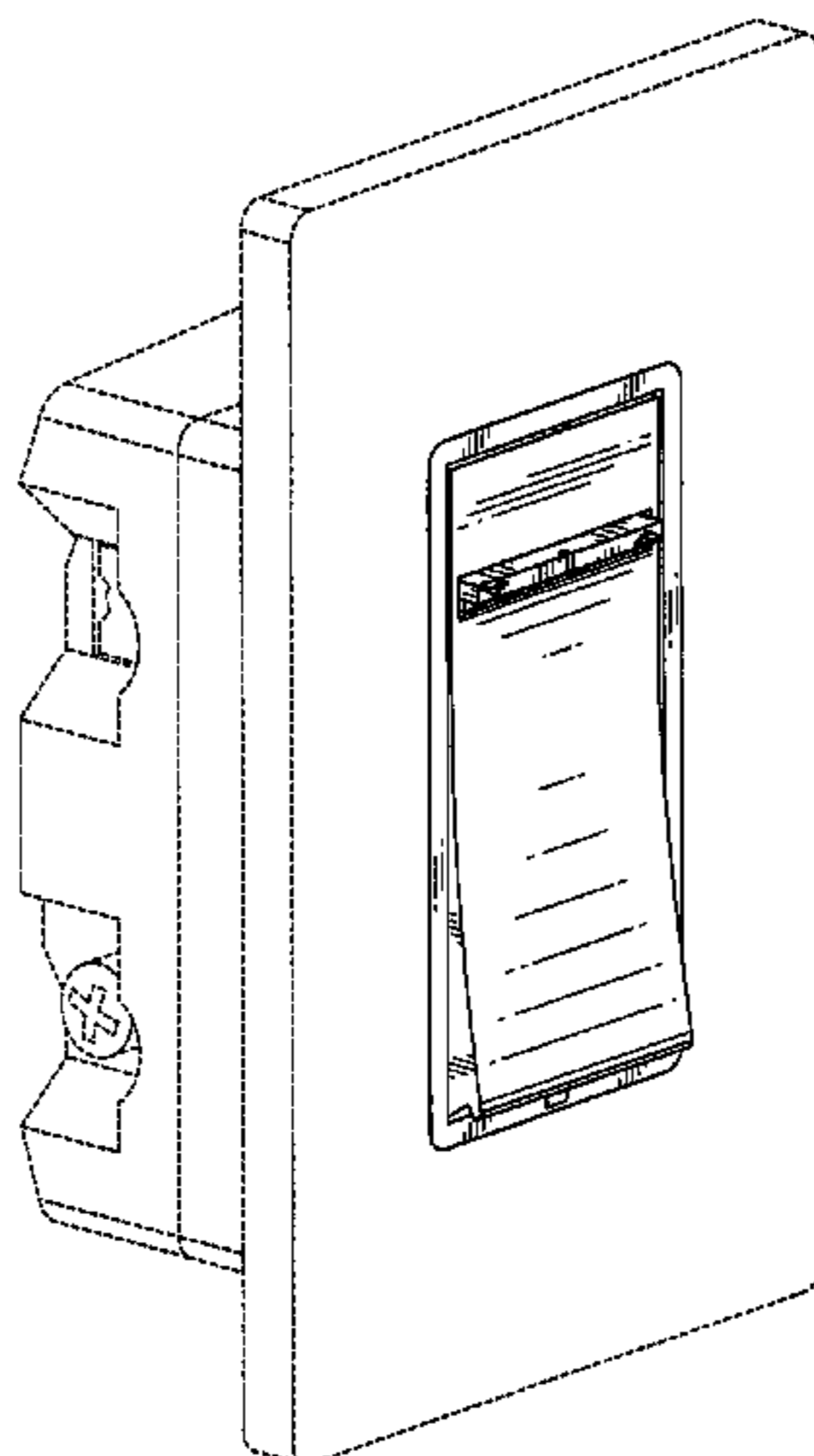
FIG. 3 is a left side view thereof with the broken lines showing the back plate and the housing;

FIG. 4 is a right side view thereof with the broken lines showing the back plate and the housing;

FIG. 5 is a top view thereof with the broken lines showing the back plate and the housing; and,

FIG. 6 is a bottom view thereof with the broken lines showing the back plate and the housing.

1 Claim, 4 Drawing Sheets



US D576,565 S

Page 2

U.S. PATENT DOCUMENTS							
6,380,692	B1	4/2002	Newman, Jr. et al.	D534,875	S	1/2007	Wu
6,459,919	B1	10/2002	Lys et al.	D535,627	S	1/2007	Merritt et al.
6,469,457	B2	10/2002	Callahan	7,164,238	B2	1/2007	Kazanov et al.
6,507,158	B1	1/2003	Wang	7,166,970	B2	1/2007	Johnson et al.
6,528,957	B1	3/2003	Luchaco	7,170,018	B2	1/2007	Ilkhanov
6,761,470	B2	7/2004	Sid	D542,230	S	5/2007	Merritt et al.
D498,213	S	11/2004	Savicki, Jr. et al.	D543,159	S	5/2007	Merritt et al.
6,891,117	B1	5/2005	Gouhl et al.	D553,102	S	10/2007	Merritt
6,917,167	B2	7/2005	Courtney et al.	2003/0076281	A1	4/2003	Morgan et al.
D517,999	S	3/2006	Merritt et al.	2003/0226682	A1	12/2003	Tufano et al.
D518,000	S	3/2006	Merritt et al.	2003/0226684	A1	12/2003	Schmieta et al.
D519,466	S	4/2006	Merritt et al.	2004/0002792	A1	1/2004	Hoffknecht
7,038,910	B1	5/2006	Hodge et al.	2004/0212324	A1	10/2004	Callahan
D523,824	S	6/2006	Lombardi et al.	2005/0125083	A1	6/2005	Kiko
7,071,634	B2	7/2006	Johnson et al.	2005/0248300	A1	11/2005	Walko et al.
D526,624	S	8/2006	Merritt et al.	2006/0125649	A1	6/2006	Ostrovsky et al.
7,122,754	B2*	10/2006	Endres et al. 200/339	2006/0279236	A1	12/2006	Johnson et al.
D534,873	S	1/2007	Merritt et al.	2007/0126366	A1	6/2007	Frid
				2007/0193863	A1	8/2007	Wu

* cited by examiner

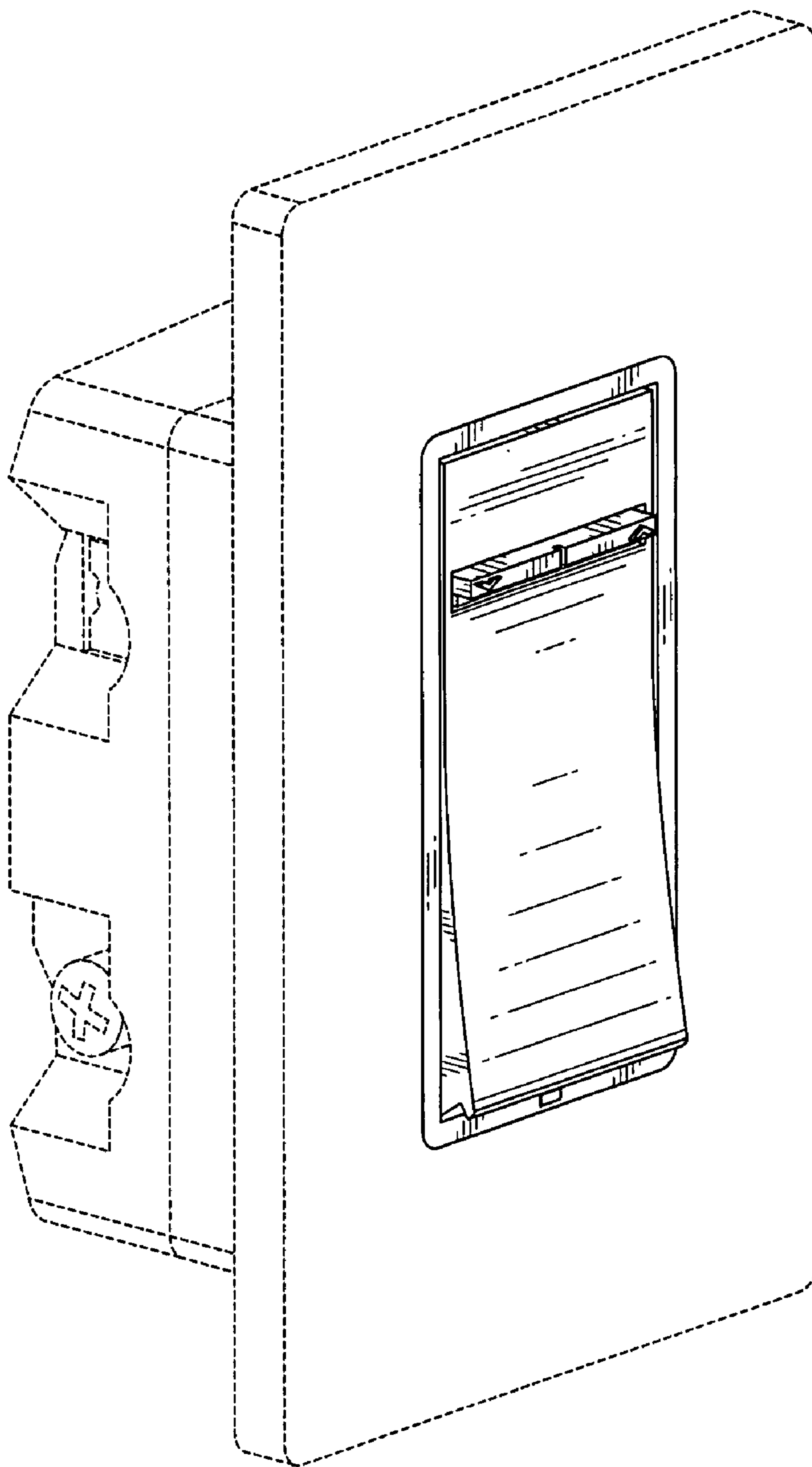


FIG. 1

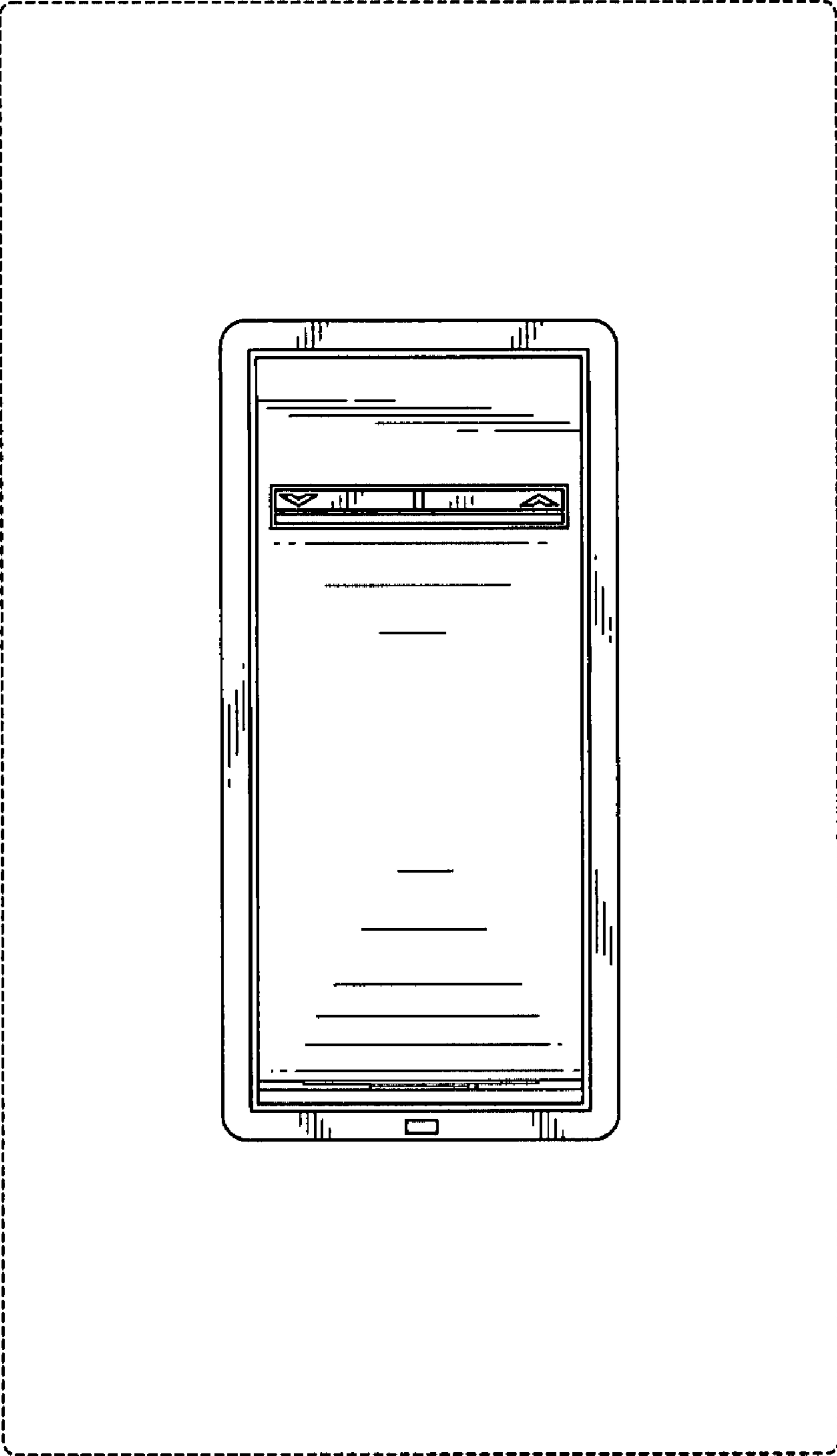


FIG. 2

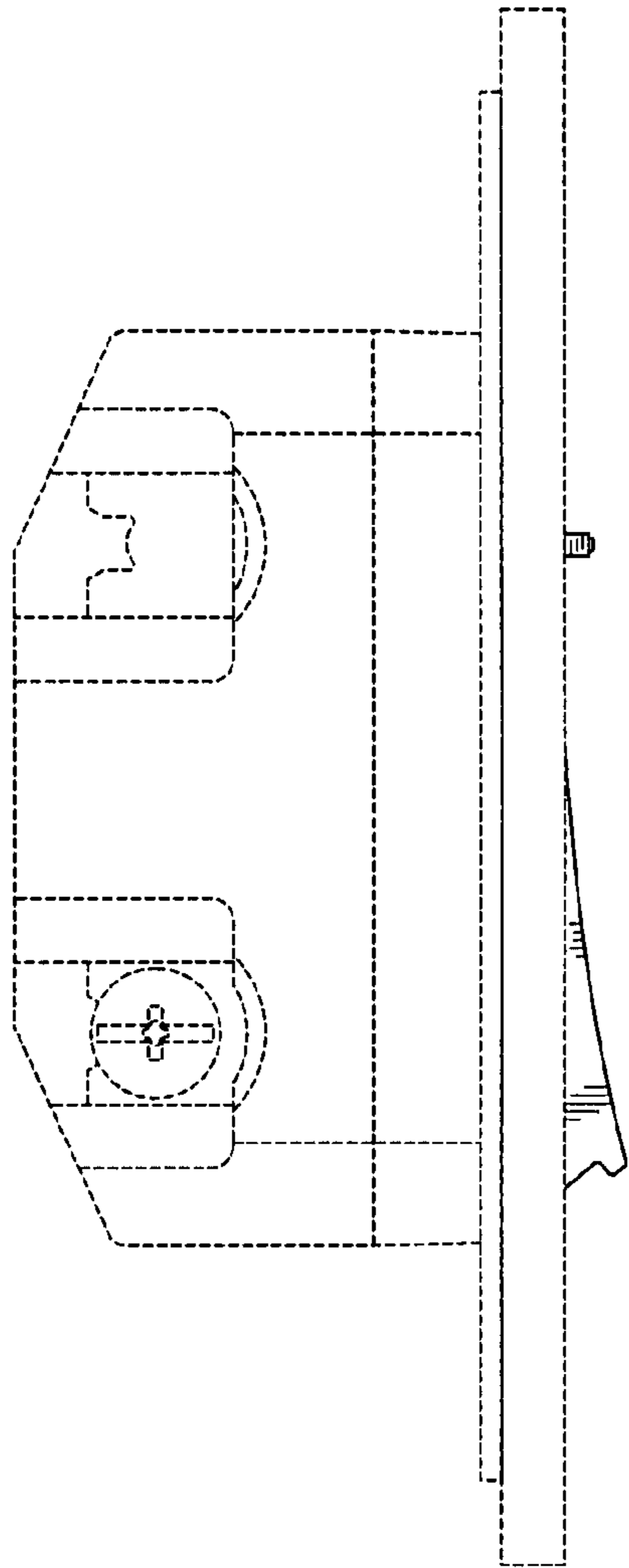


FIG. 3

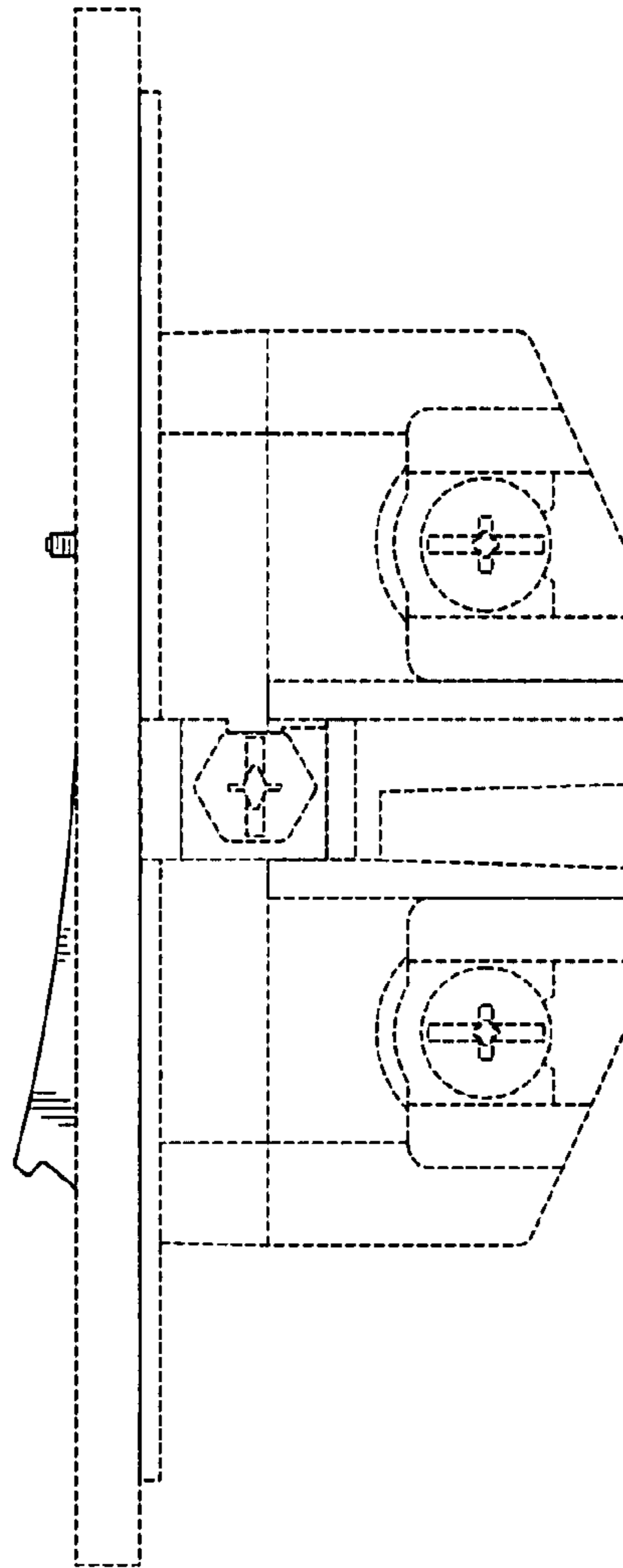


FIG. 4

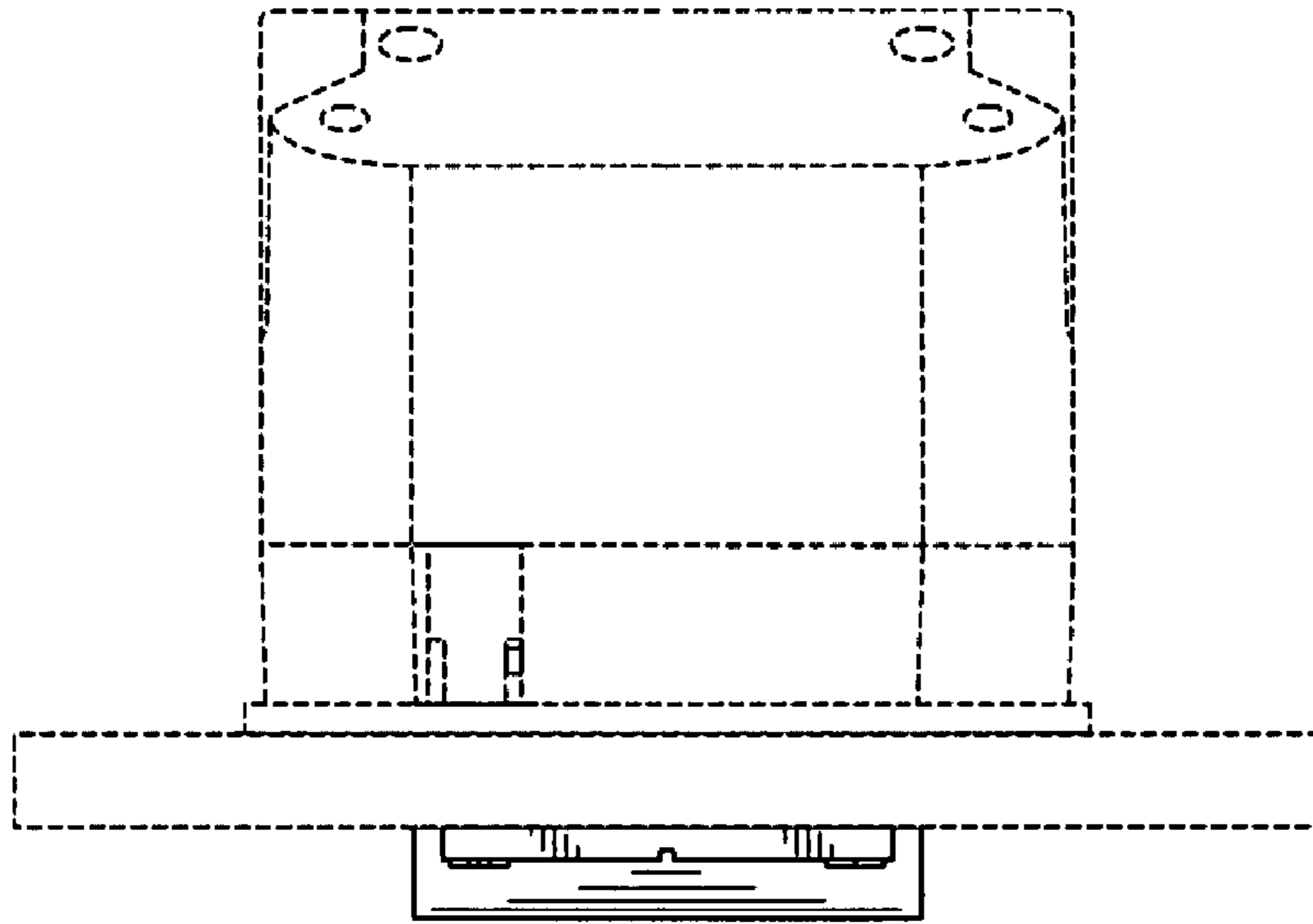


FIG. 5

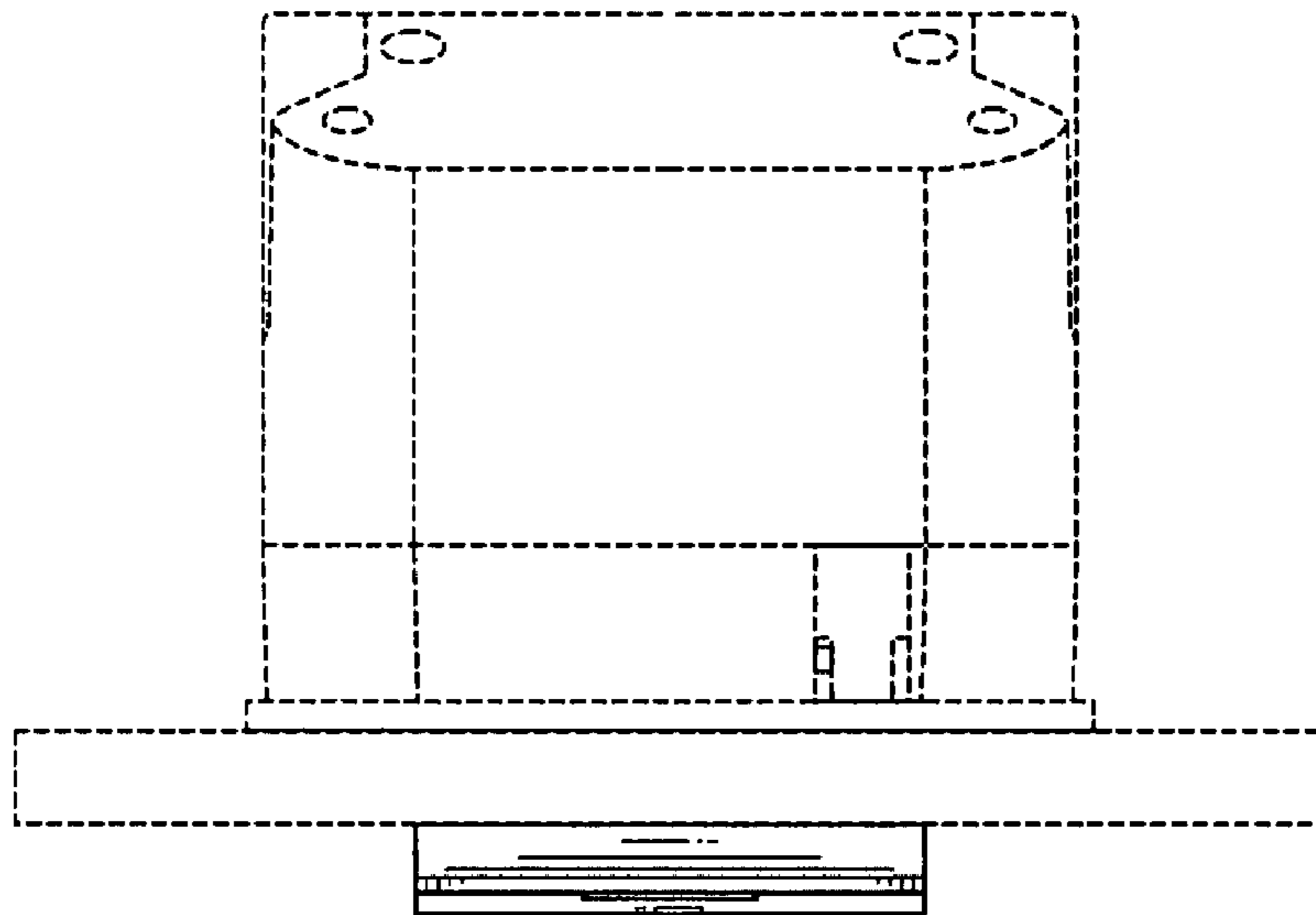


FIG. 6