



US00D576563S

(12) **United States Design Patent**
Kaluza

(10) **Patent No.:** **US D576,563 S**
(45) **Date of Patent:** **** Sep. 9, 2008**

(54) **PNEUMATIC CONTROL INTERFACE**

(75) Inventor: **Georg Kaluza**, Velbert (DE)

(73) Assignee: **IFM Electronic GmbH**, Essen (DE)

(**) Term: **14 Years**

(21) Appl. No.: **29/274,148**

(22) Filed: **Mar. 30, 2007**

(51) **LOC (8) Cl.** **13-03**

(52) **U.S. Cl.** **D13/162**

(58) **Field of Classification Search** D13/110,
D13/123, 147, 151, 158-177, 184; D14/240,
D14/433, 434, 356-358; 361/686; 439/639,
439/271, 535, 652, 715-716, 736

See application file for complete search history.

(56) **References Cited**

U.S. PATENT DOCUMENTS

D425,483	S *	5/2000	Bechtold et al.	D13/147
6,123,585	A *	9/2000	Hussong et al.	439/652
D433,998	S *	11/2000	Ishitsuka et al.	D13/123
D443,586	S *	6/2001	Sakasegawa	D13/123
6,475,036	B2 *	11/2002	Morikawa	439/716
6,527,599	B2 *	3/2003	Bechtold et al.	439/736
6,634,910	B2 *	10/2003	Lieb et al.	439/715
D492,292	S *	6/2004	Ogren	D14/240
6,860,757	B2 *	3/2005	Herrnring et al.	439/535
6,916,194	B2 *	7/2005	Sichner et al.	439/271
D517,020	S *	3/2006	Cook et al.	D13/162
D544,836	S *	6/2007	Sichner et al.	D13/123

OTHER PUBLICATIONS

U.S. Appl. No. 29/274,145 to Kaluza., filed Mar. 30, 2007.

U.S. Appl. No. 29/274,143 to Kaluza., filed Mar. 30, 2007.

U.S. Appl. No. 29/274,147 to Kaluza., filed Mar. 30, 2007.

* cited by examiner

Primary Examiner—Daniel Bui

Assistant Examiner—Thomas J Johannes

(74) *Attorney, Agent, or Firm*—Greenblum & Bernstein, P.L.C.

(57) **CLAIM**

I claim the ornamental design for a pneumatic control interface, as shown and described.

DESCRIPTION

FIG. 1 is a front perspective view of a pneumatic control interface, showing my new design:

FIG. 2 is a front elevational view of the pneumatic control interface of FIG. 1;

FIG. 3 is a rear elevational view of the pneumatic control interface of FIG. 1;

FIG. 4 is a left side elevational view of the pneumatic control interface of FIG. 1;

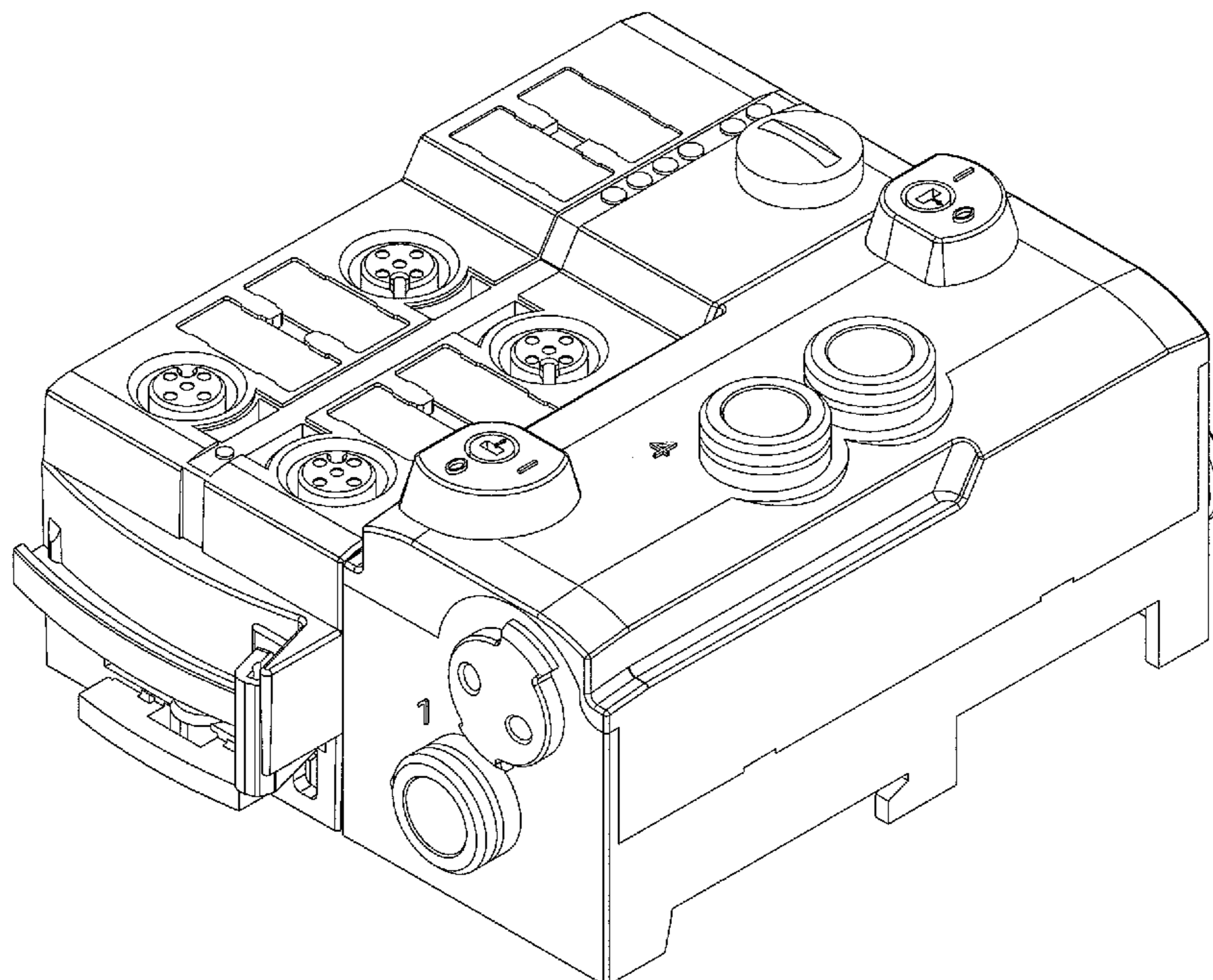
FIG. 5 is a right side elevational view of the pneumatic control interface of FIG. 1;

FIG. 6 is a top plan view of the pneumatic control interface of FIG. 1; and,

FIG. 7 is a bottom plan view of the pneumatic control interface of FIG. 1.

The broken line showing in the figure drawings is included for illustrative purposes only and forms no part of the claimed design.

1 Claim, 7 Drawing Sheets



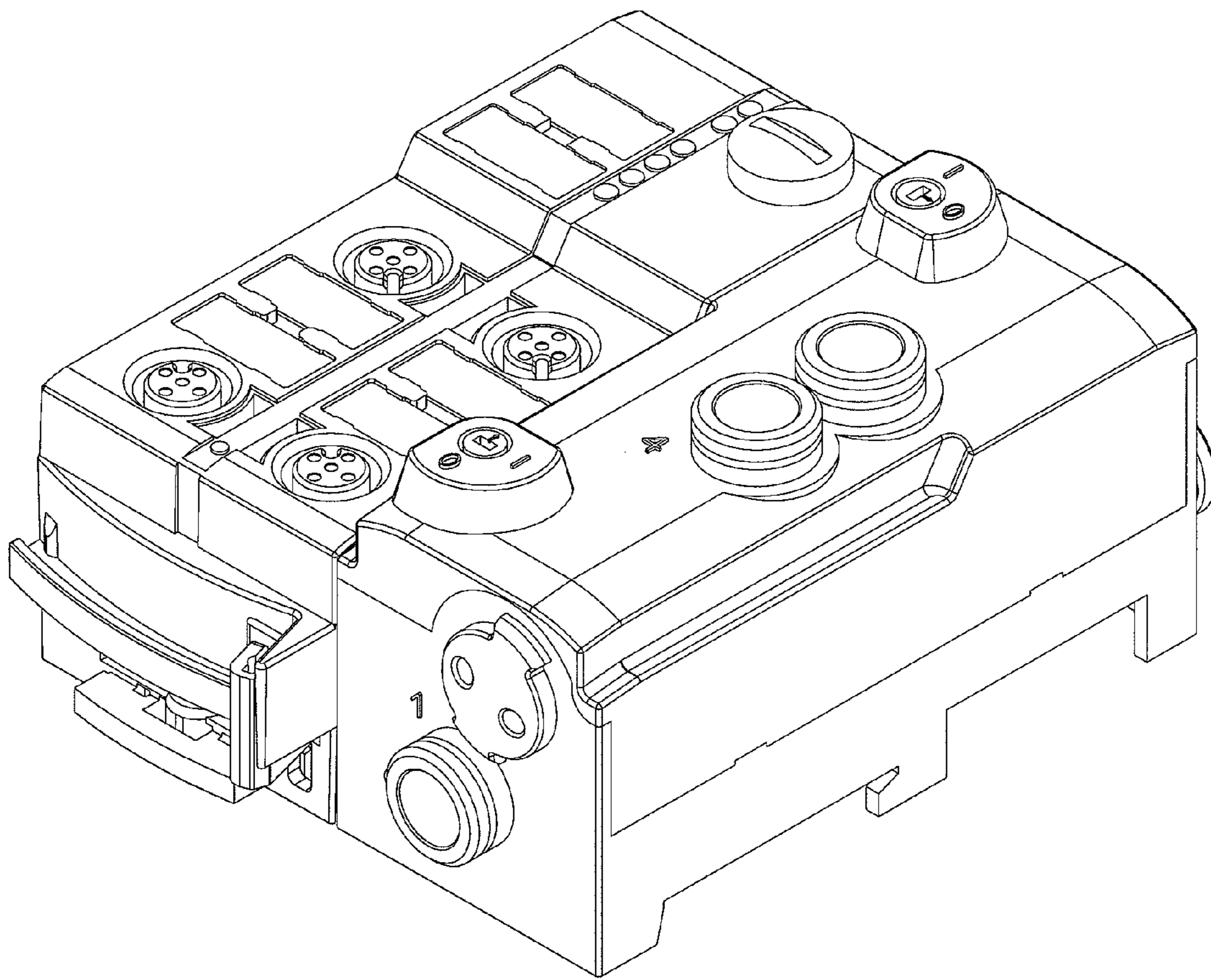


FIG. 1

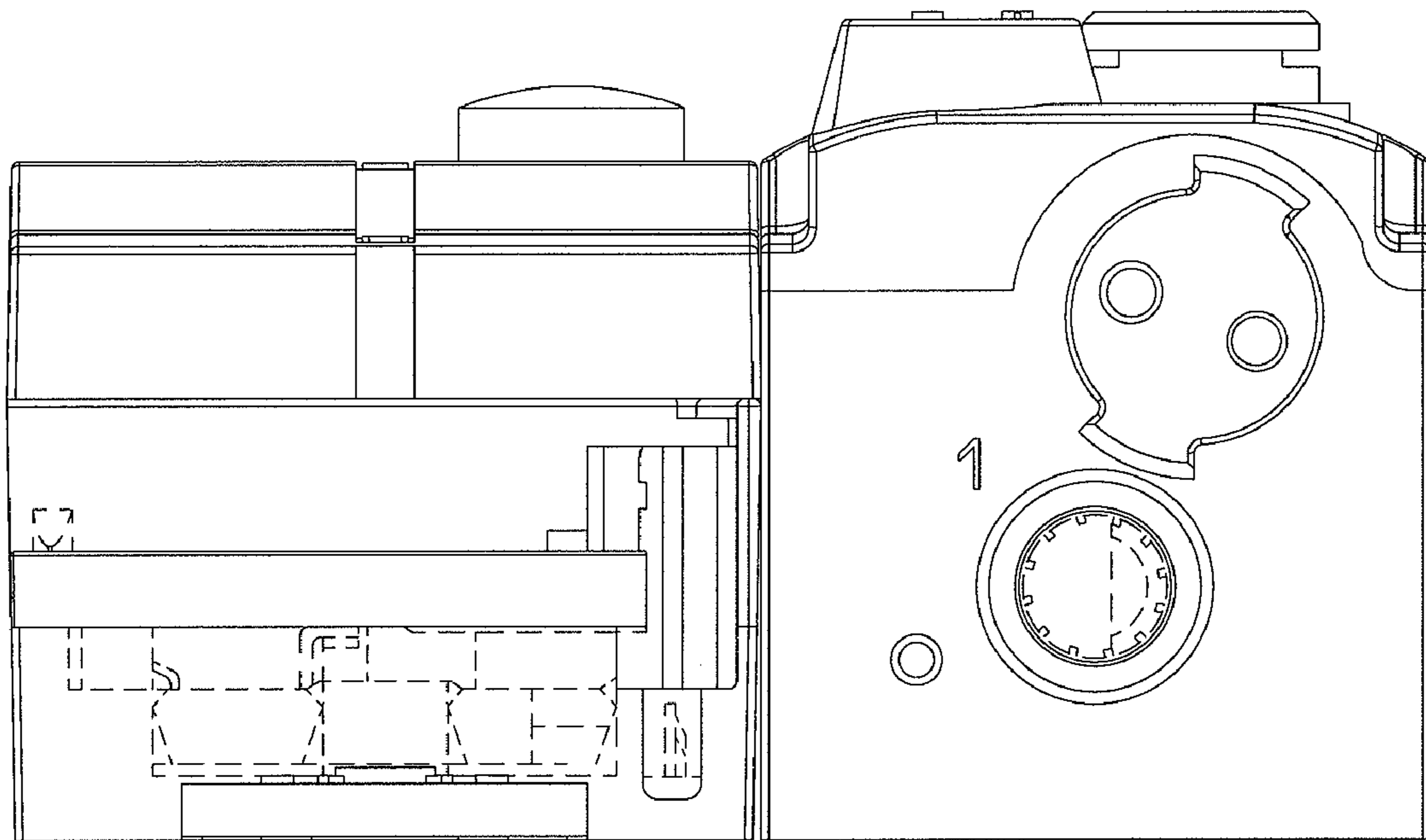


FIG. 2

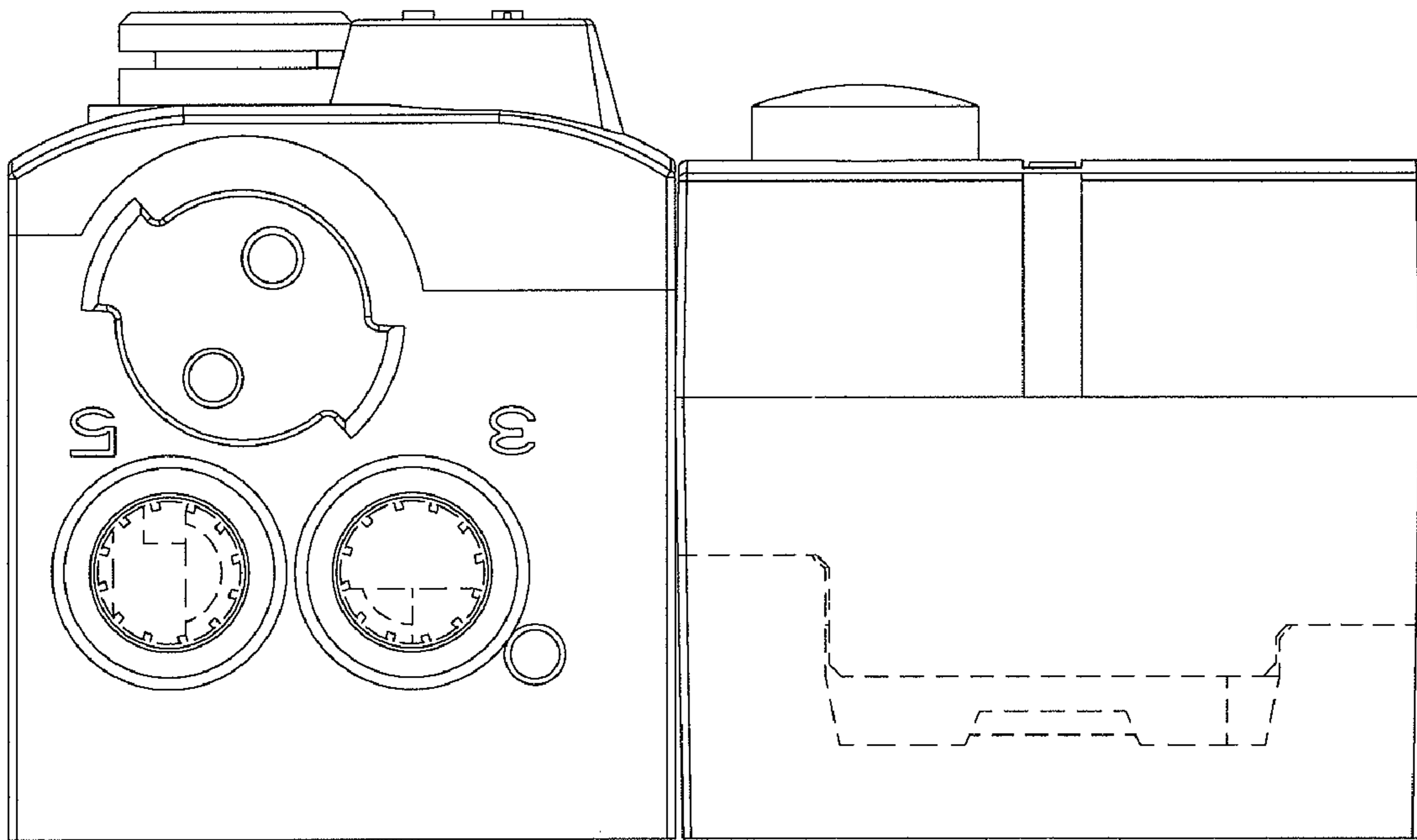


FIG. 3

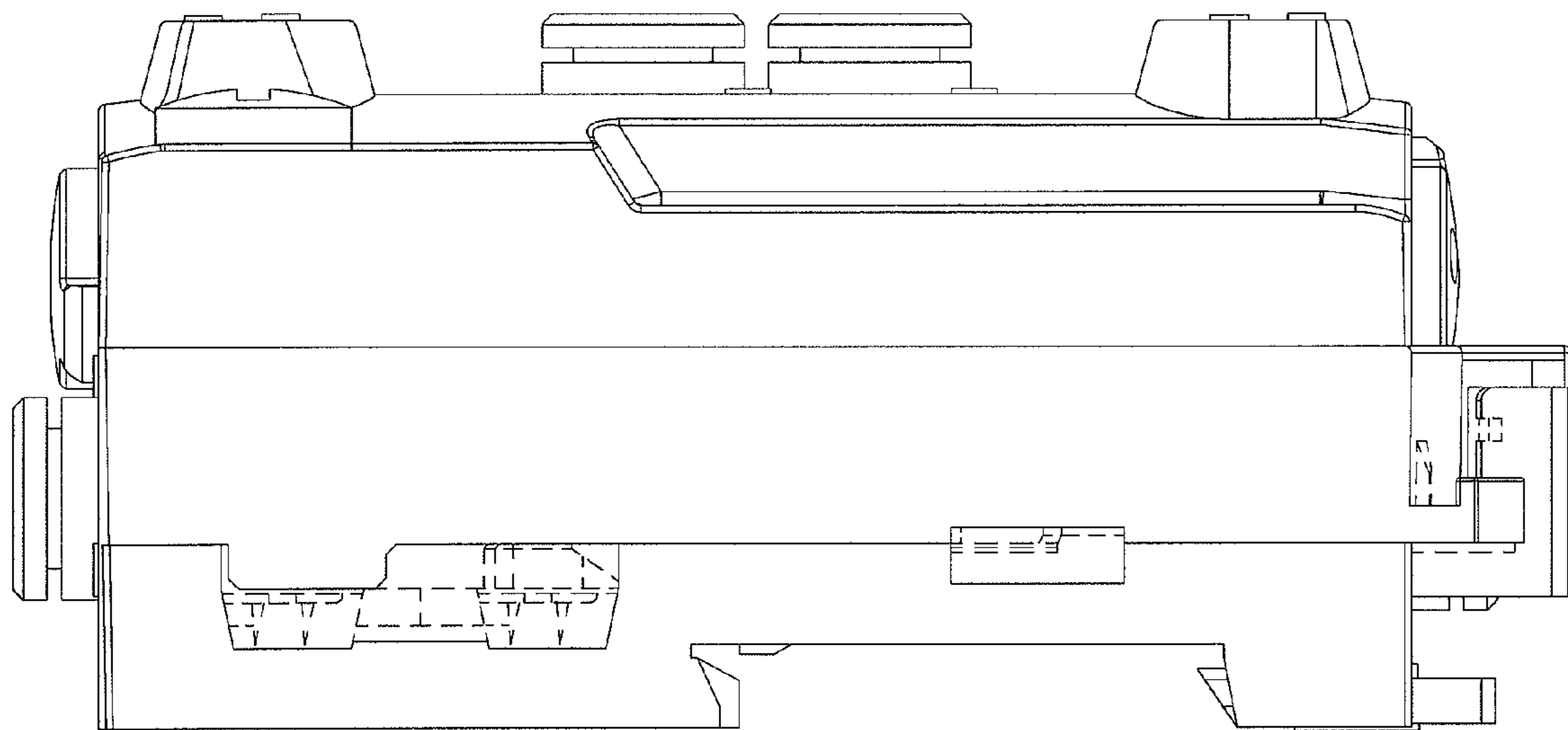


FIG. 4

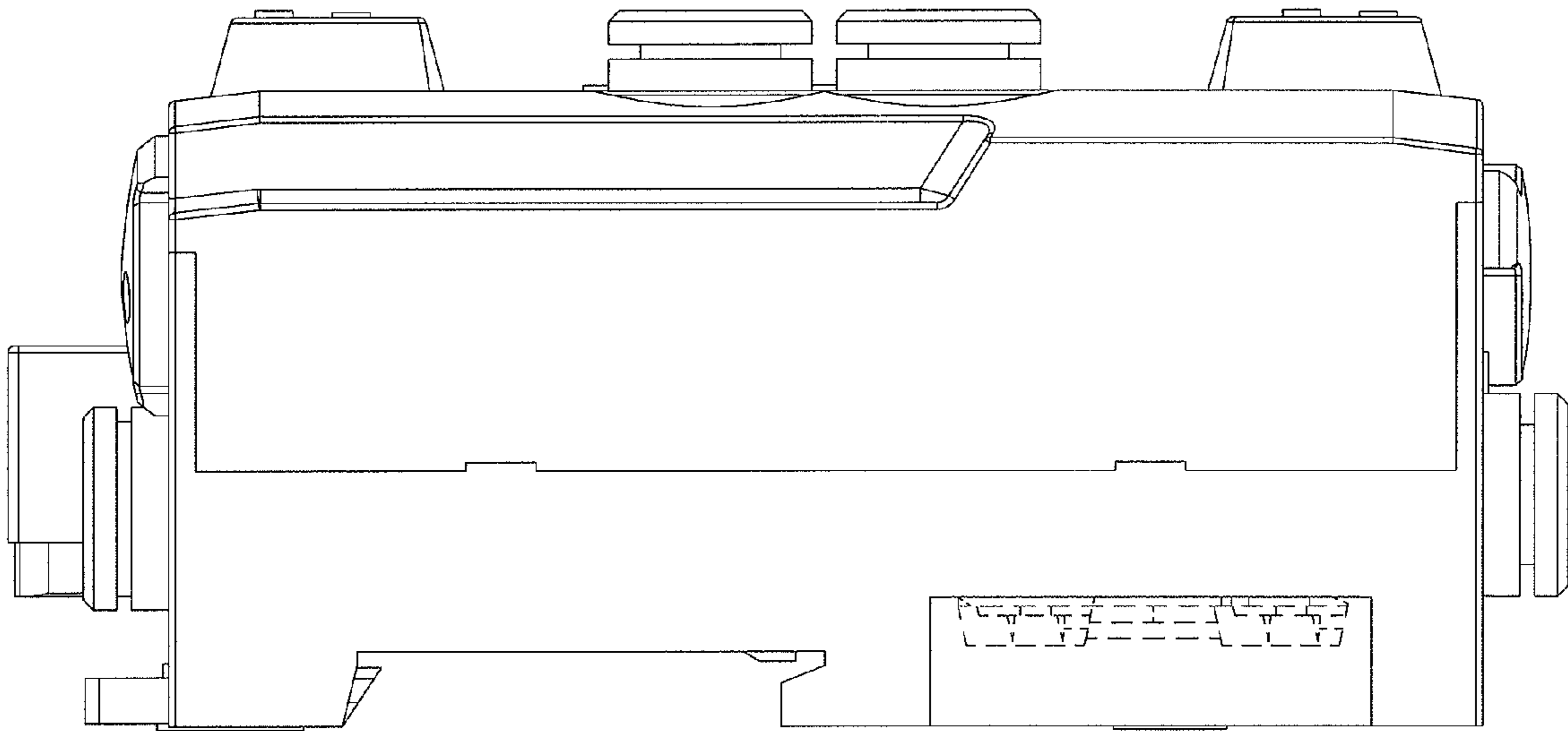


FIG. 5

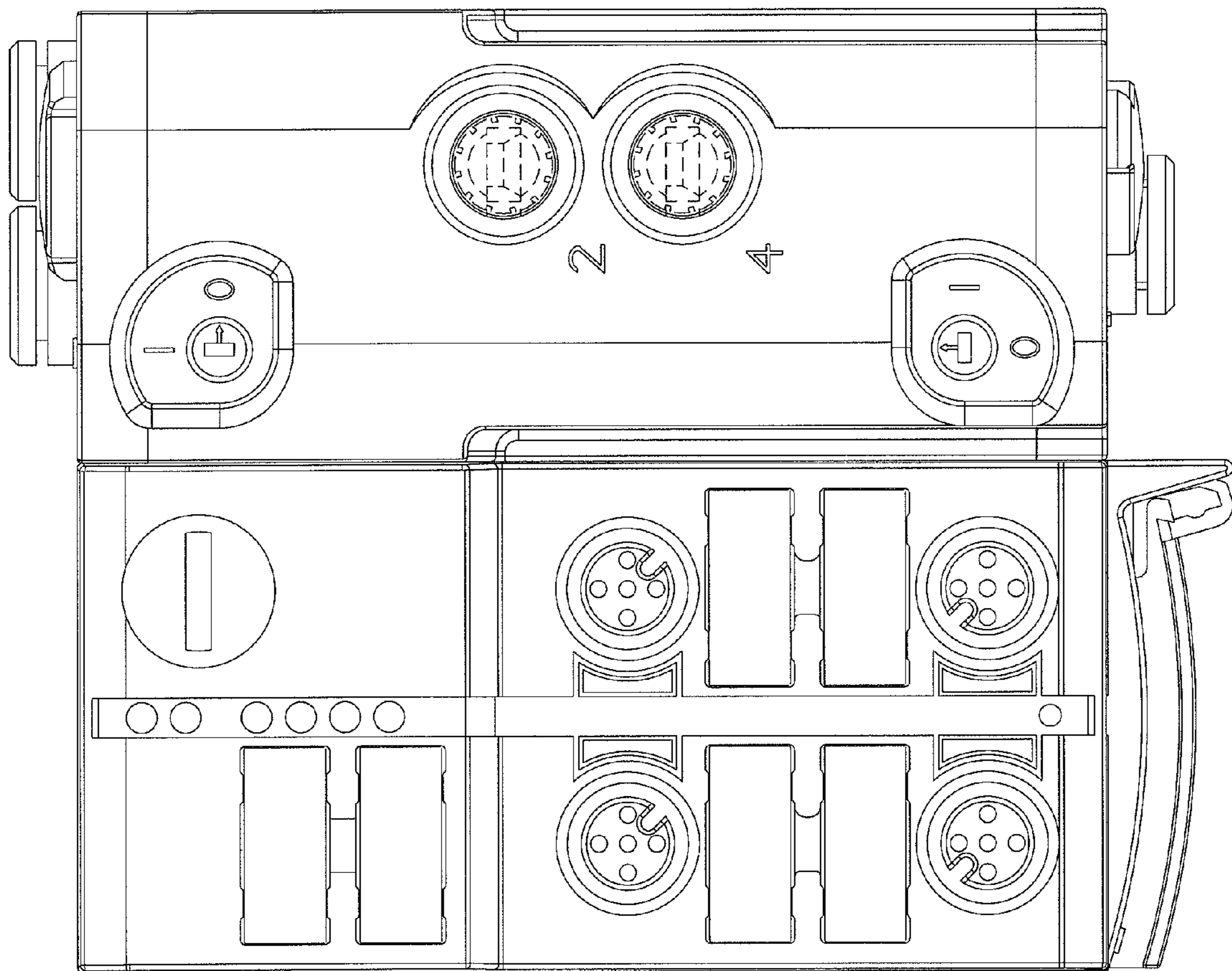


FIG. 6

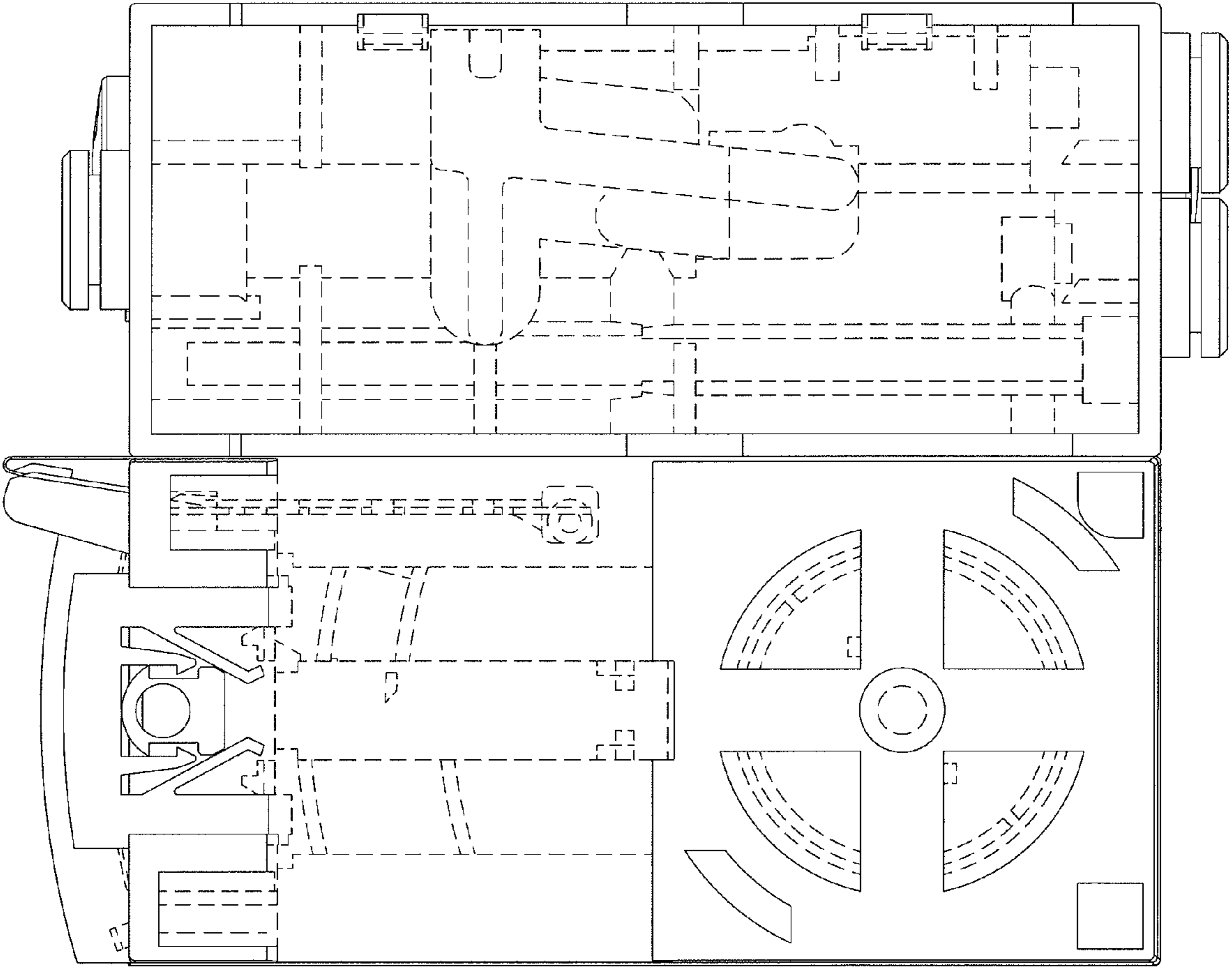


FIG. 7