



US00D576561S

(12) **United States Design Patent**
Kaluza

(10) **Patent No.:** **US D576,561 S**
(45) **Date of Patent:** **** Sep. 9, 2008**

(54) **INPUT/OUTPUT MODULE**

(75) Inventor: **Georg Kaluza**, Velbert (DE)

(73) Assignee: **IFM Electronic GmbH**, Essen (DE)

(**) Term: **14 Years**

(21) Appl. No.: **29/274,143**

(22) Filed: **Mar. 30, 2007**

(51) **LOC (8) Cl.** **13-03**

(52) **U.S. Cl.** **D13/162**

(58) **Field of Classification Search** D13/110,
D13/123, 147, 151, 158-177, 184; D14/240,
D14/433, 434, 356-358; 361/686; 439/639,
439/271, 535, 652, 715-716, 736

See application file for complete search history.

(56) **References Cited**

U.S. PATENT DOCUMENTS

D425,483	S	*	5/2000	Bechtold et al.	D13/147
6,123,585	A	*	9/2000	Hussong et al.	439/652
D433,998	S	*	11/2000	Ishitsuka et al.	D13/123
D443,586	S	*	6/2001	Sakasegawa	D13/123
6,475,036	B2	*	11/2002	Morikawa	439/716
6,527,599	B2	*	3/2003	Bechtold et al.	439/736
6,634,910	B2	*	10/2003	Lieb et al.	439/715
D492,292	S	*	6/2004	Ogren	D14/240
6,860,757	B2	*	3/2005	Herrnring et al.	439/535
6,916,194	B2	*	7/2005	Sichner et al.	439/271
D517,020	S	*	3/2006	Cook et al.	D13/162
D544,836	S	*	6/2007	Sichner et al.	D13/123

OTHER PUBLICATIONS

U.S. Appl. No. 29/274,145 to Kaluza, filed Mar. 30, 2007.

U.S. Appl. No. 29/274,148 to Kaluza, filed Mar. 30, 2007.

U.S. Appl. No. 29/274,147 to Kaluza, filed Mar. 30, 2007.

* cited by examiner

Primary Examiner—Daniel Bui

Assistant Examiner—Thomas J Johannes

(74) *Attorney, Agent, or Firm*—Greenblum & Bernstein, P.L.C.

(57) **CLAIM**

I claim the ornamental design for an input/output module, as shown and described.

DESCRIPTION

FIG. 1 is a front perspective view of an input/output module, showing my new design:

FIG. 2 is a front elevational view of the input/output module of FIG. 1;

FIG. 3 is a rear elevational view of the input/output module of FIG. 1;

FIG. 4 is a left side elevational view of the input/output module of FIG. 1;

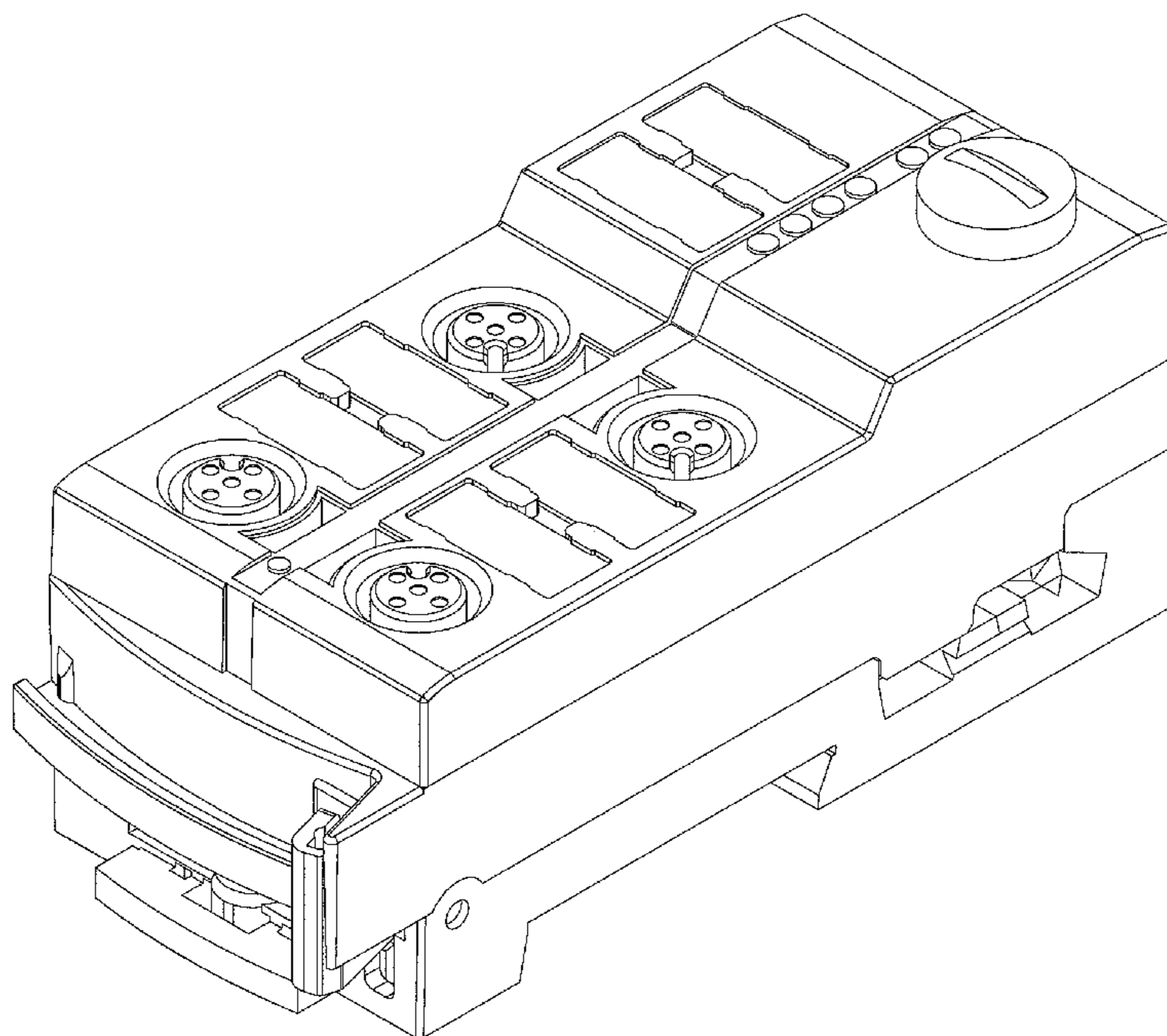
FIG. 5 is a right side elevational view of the input/output module of FIG. 1;

FIG. 6 is a top plan view of the input/output module of FIG. 1; and,

FIG. 7 is a bottom plan view of the input/output module of FIG. 1.

The broken line showing in the figure drawings is included for illustrative purposes only and forms no part of the claimed design.

1 Claim, 7 Drawing Sheets



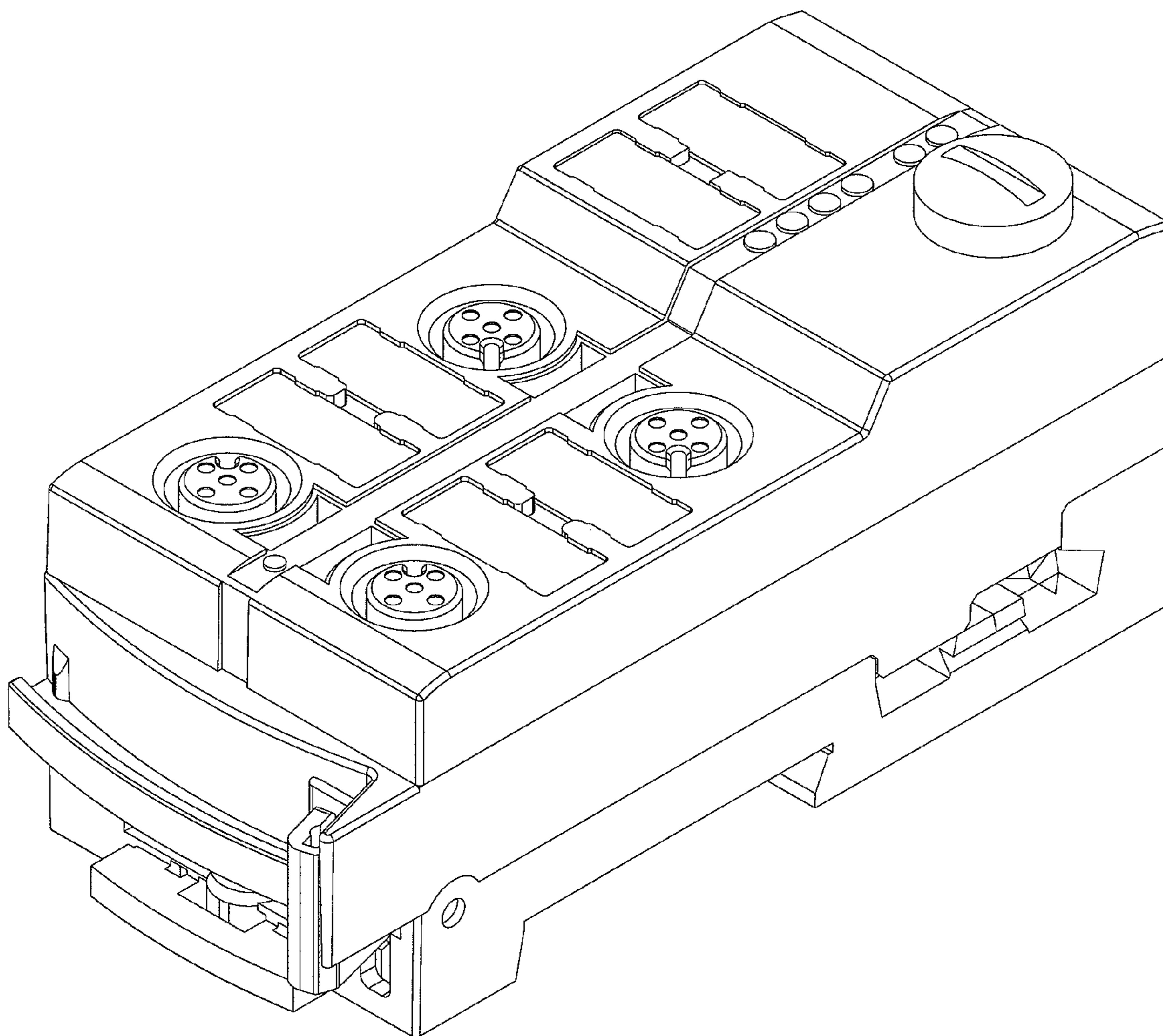


FIG. 1

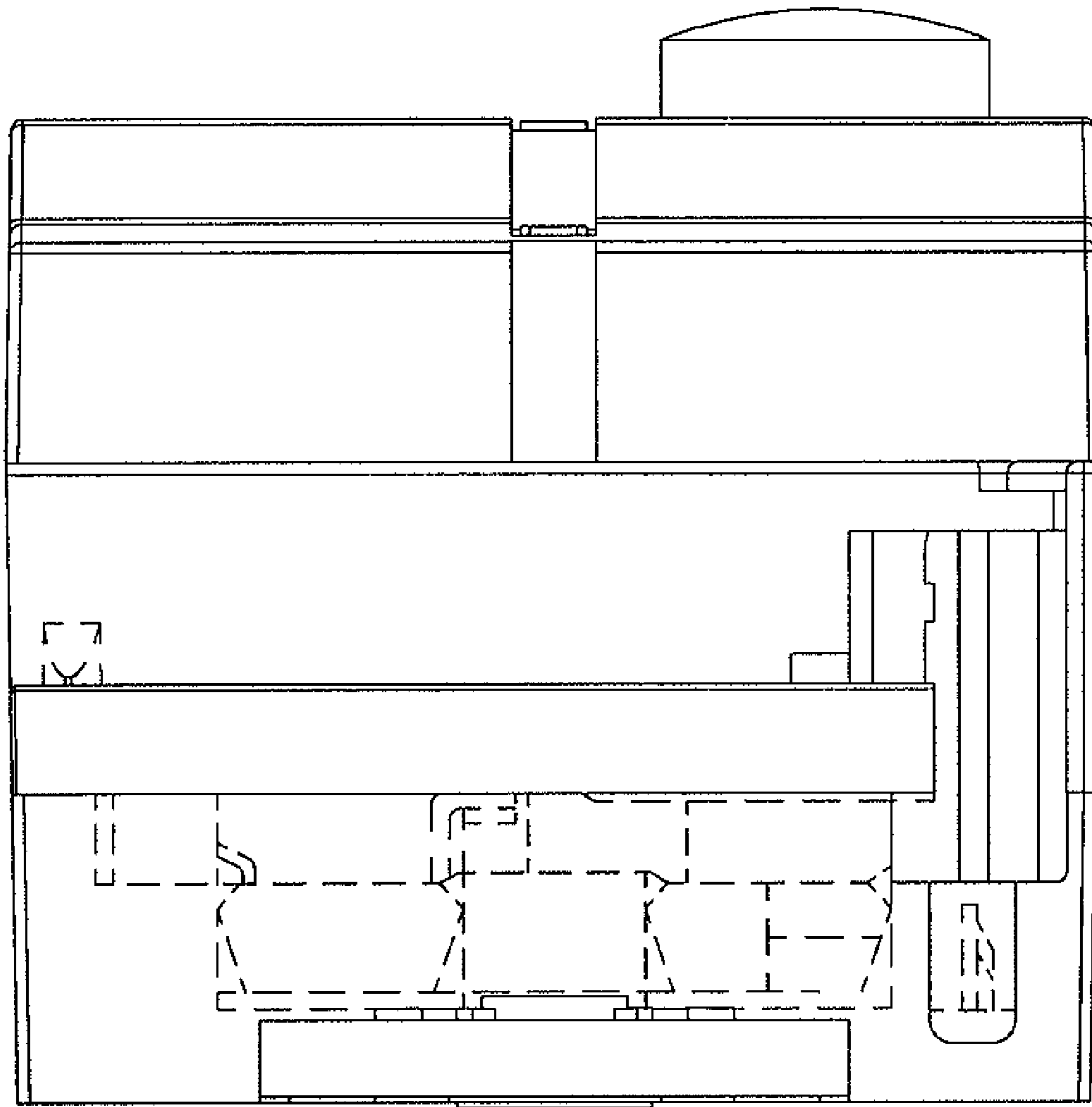


FIG. 2

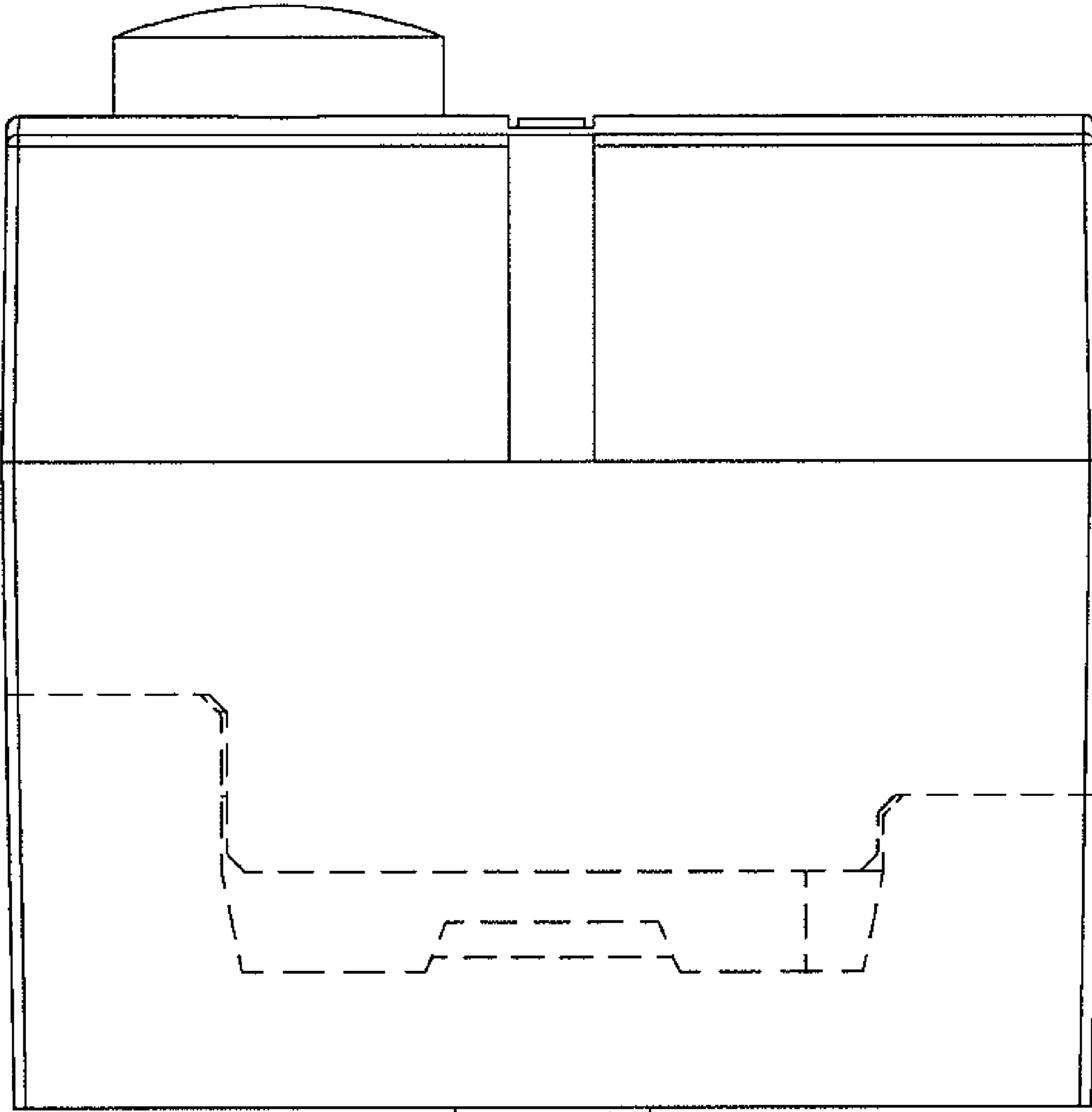


FIG. 3

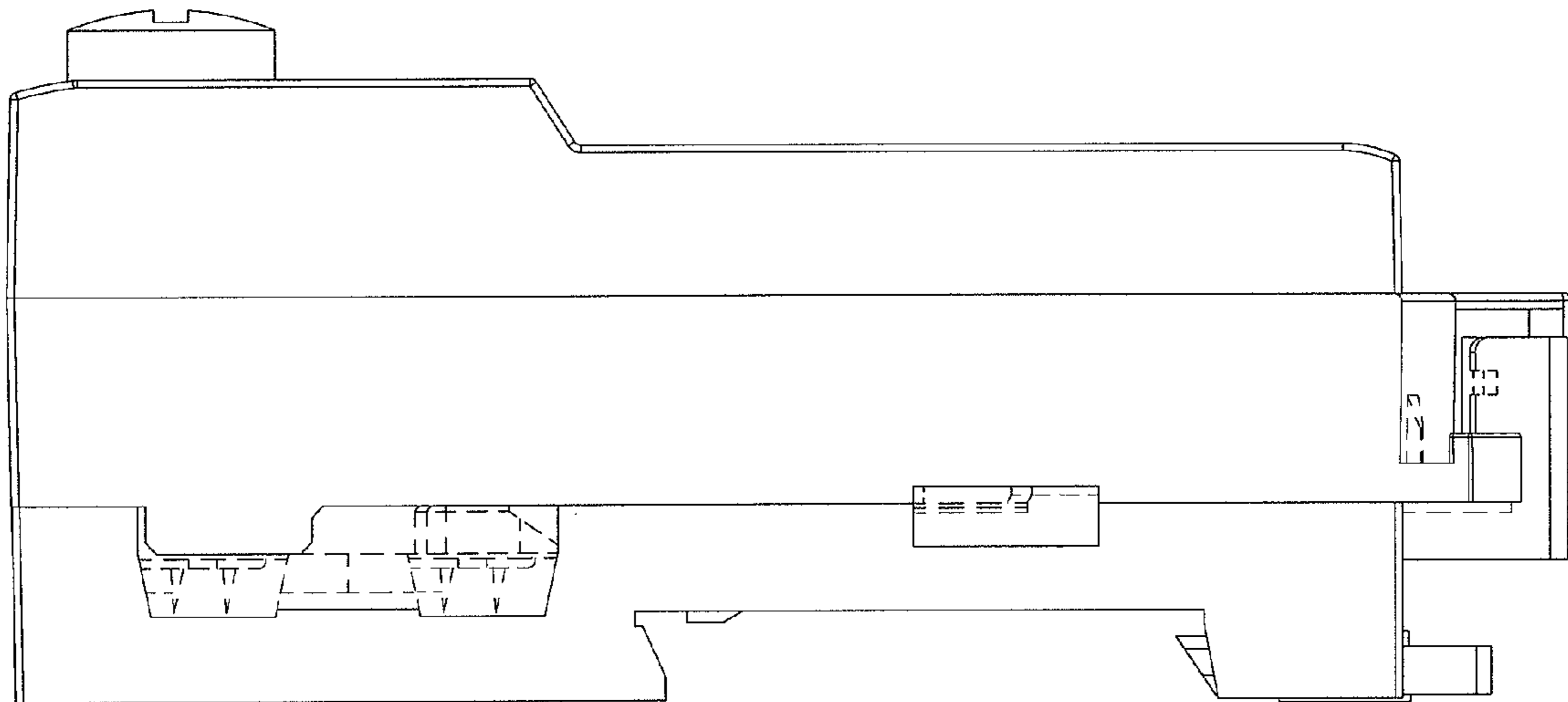


FIG. 4

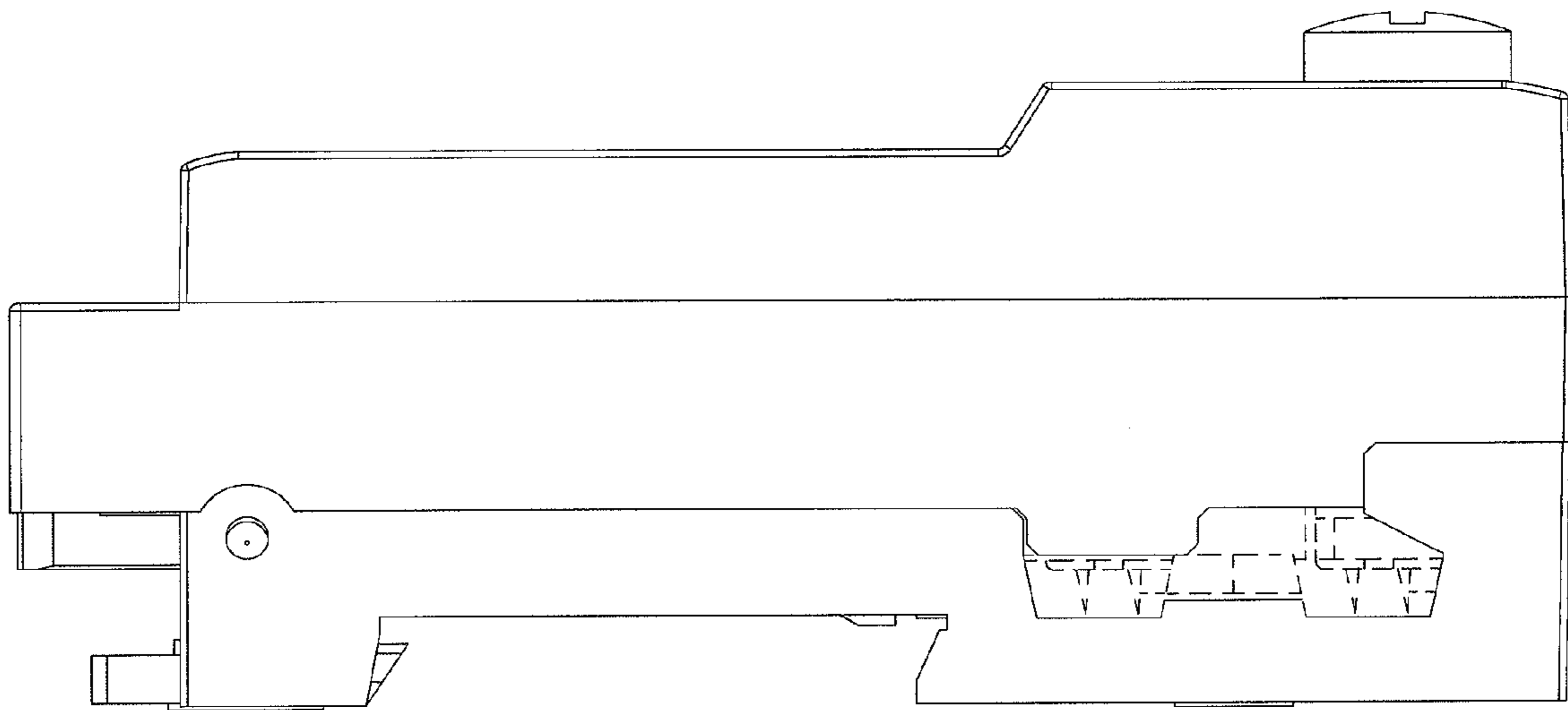


FIG. 5

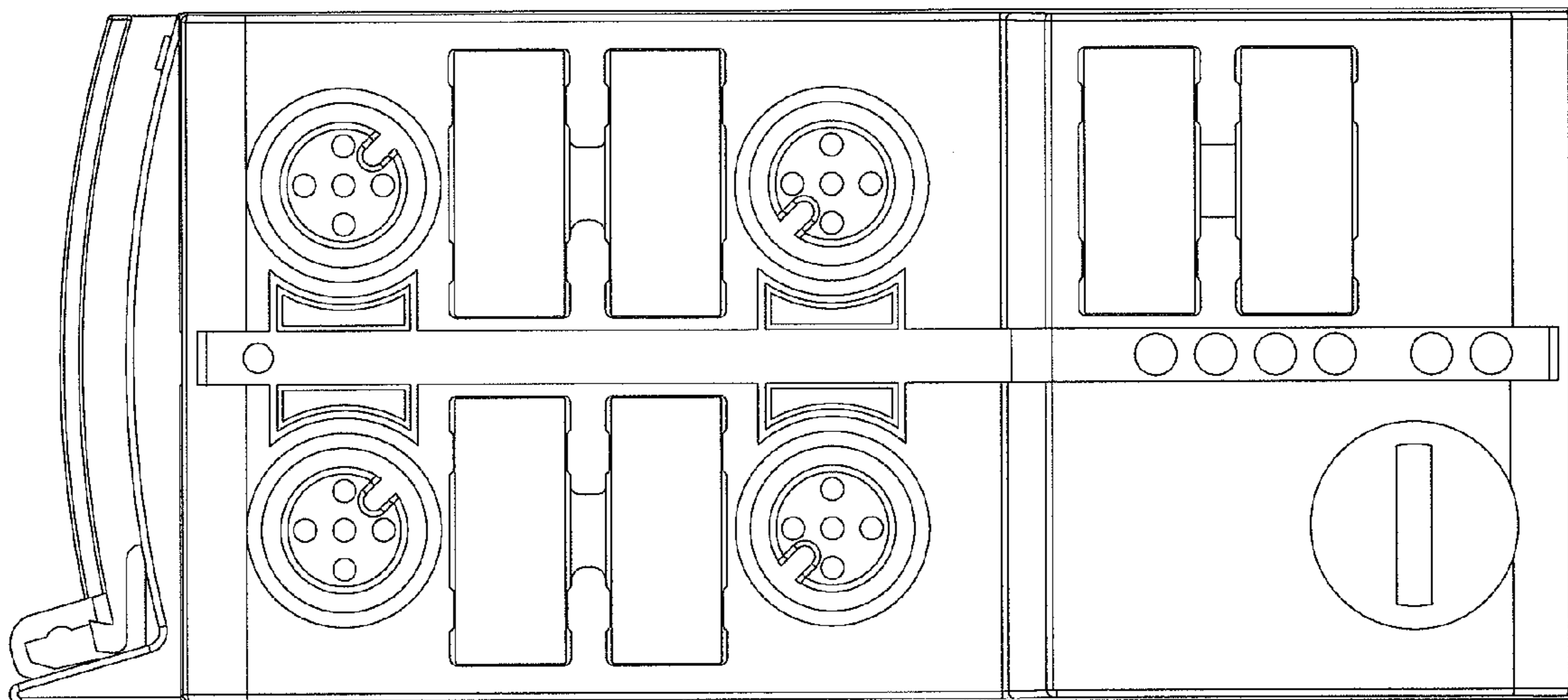


FIG. 6

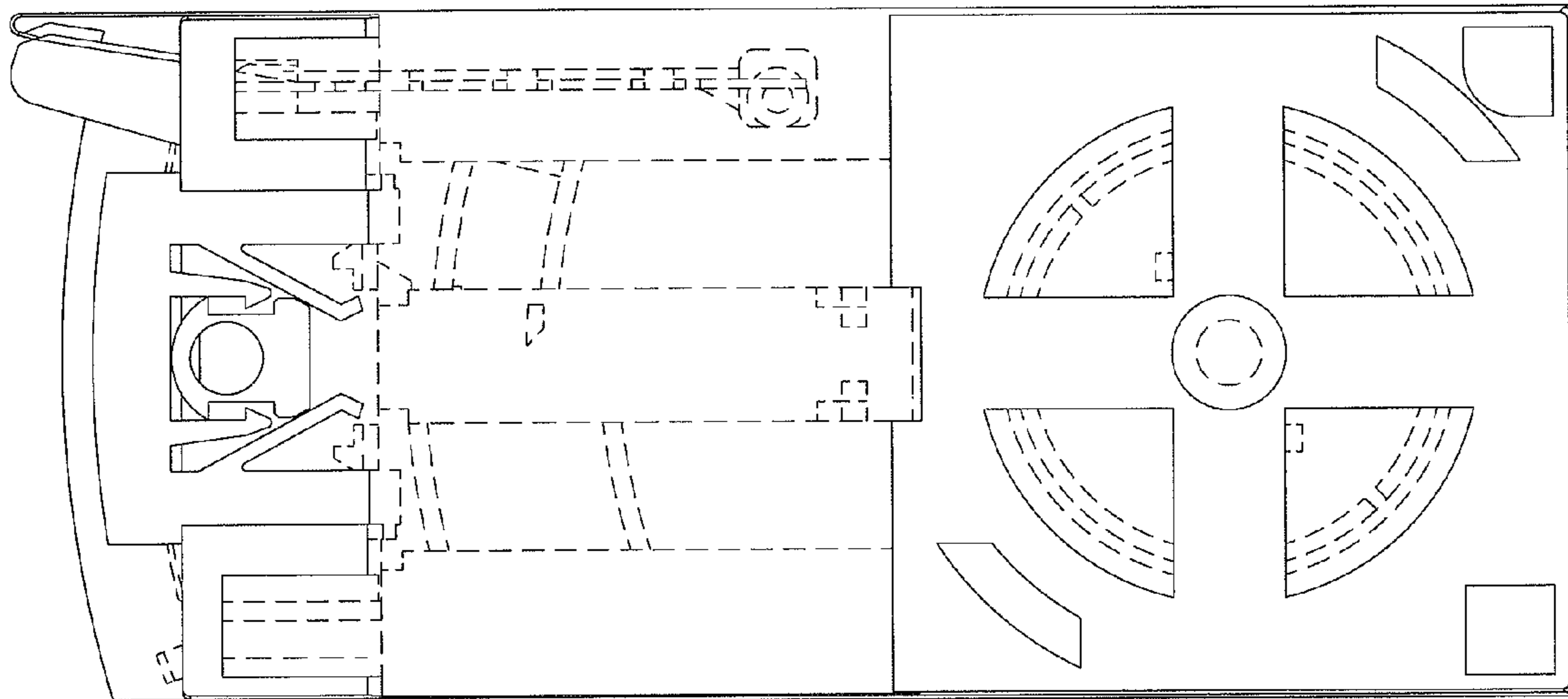


FIG. 7